



US00D818430S

(12) **United States Design Patent** (10) **Patent No.:** **US D818,430 S**
Anderson (45) **Date of Patent:** **** May 22, 2018**

(54) **PORTABLE SOLAR CHARGER TILT MOUNT**

(71) Applicant: **World Panel, Inc.**, Westminster, CO (US)

(72) Inventor: **John Augustus Anderson**, Superior, CO (US)

(73) Assignee: **SunStream Technology, Inc.**, Westminster, CO (US)

(**) Term: **15 Years**

(21) Appl. No.: **29/571,400**

(22) Filed: **Jul. 18, 2016**

(51) **LOC (11) Cl.** **13-02**

(52) **U.S. Cl.**
USPC **D13/102**

(58) **Field of Classification Search**
USPC D6/300, 301, 302, 308, 310, 566;
D8/323, 333, 343, 344, 349, 354, 355,
D8/356, 363, 373, 376, 377, 380, 381,
D8/382, 394, 396, 400; D13/101, 102,
D13/103, 118, 119, 184, 199; D26/1, 2,
D26/37, 41, 61, 68, 70, 74, 96, 107, 142
CPC H01L 31/00; Y02E 10/00; Y02E 10/40;
Y02E 10/41; Y02E 10/42; Y02E 10/43;
Y02E 10/44; Y02E 10/45; Y02E 10/46;
Y02E 10/47; Y02E 10/50; Y02E 10/51;
Y02E 10/52; Y02B 10/00; H02S 10/00;
H02S 20/00

See application file for complete search history.

(56) **References Cited**

U.S. PATENT DOCUMENTS

D242,114 S * 11/1976 Lange D12/414
D346,735 S * 5/1994 Glisch D8/367
D369,581 S * 5/1996 McCoy D12/162
D386,145 S * 11/1997 Staller D12/412
D397,067 S * 8/1998 McCoy D12/162
6,402,108 B1 * 6/2002 Remmers A47B 57/42
211/181.1

(Continued)

OTHER PUBLICATIONS

Ekena Millwork, posted at Amazon.com, posted on Feb. 15, 2013, [online], [site visited May 5, 2017]. Available from Internet, <<https://www.amazon.com/Ekena-Millwork-BKTM02X10X10LESS-10-Inch-Stainless/dp/B00BGH1BCW>>.*

(Continued)

Primary Examiner — Mary Ann Calabrese

Assistant Examiner — Catherine Ho

(57) **CLAIM**

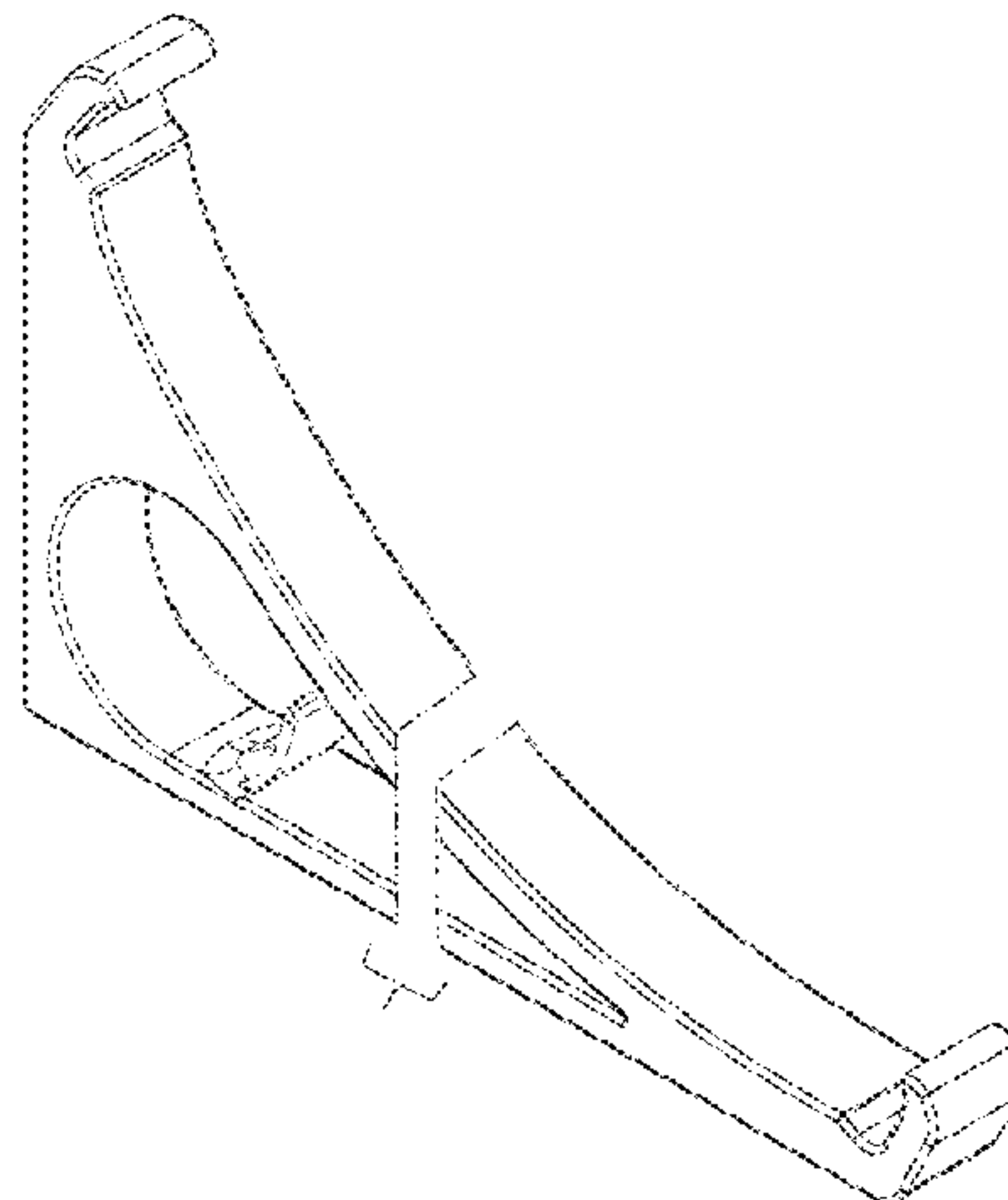
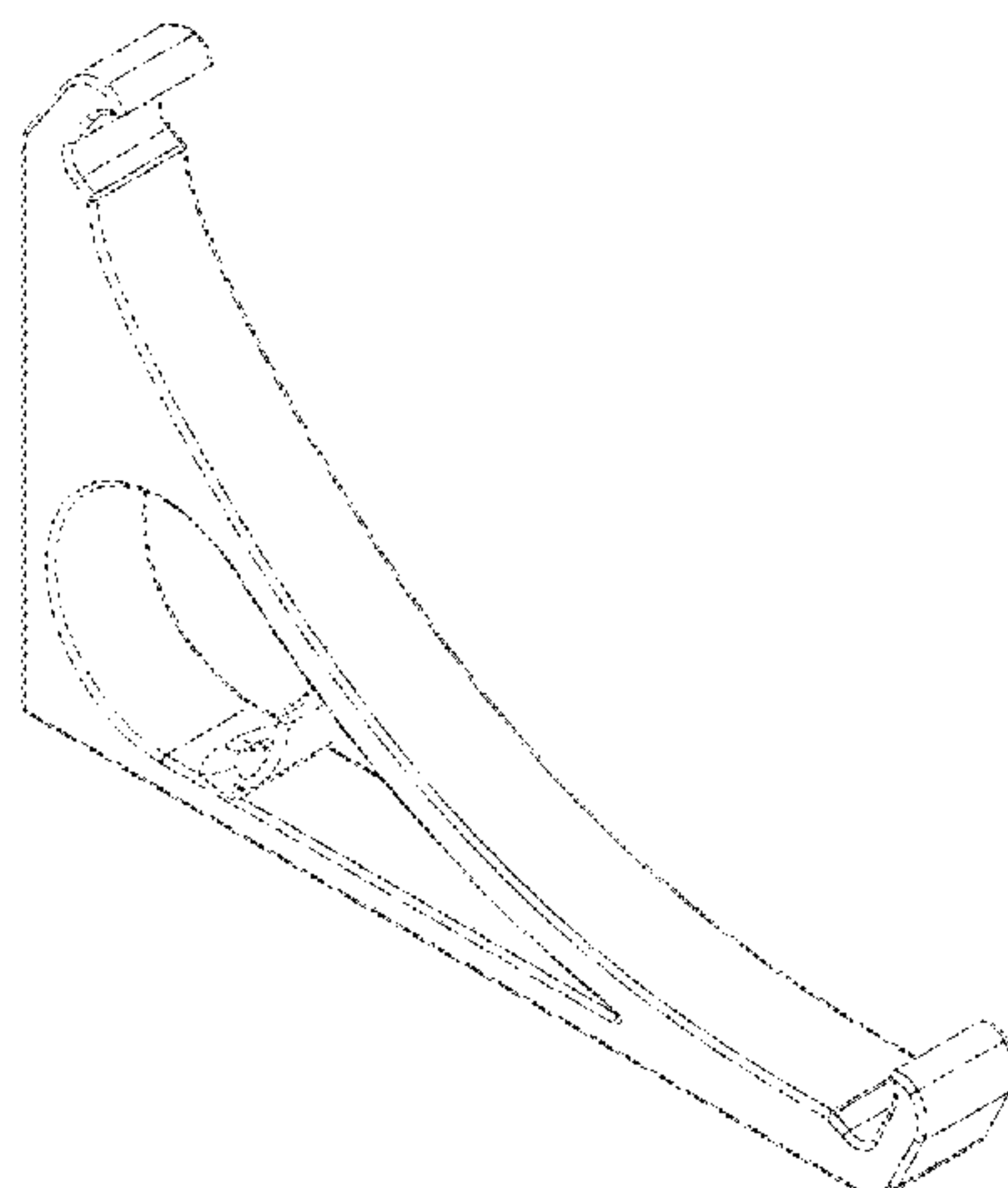
The ornamental design for a portable solar charger tilt mount, as shown and described.

DESCRIPTION

FIG. 1 is a front perspective view of the first embodiment of a portable solar charger tilt mount; FIG. 2 is a front view thereof; FIG. 3 is a back view thereof; FIG. 4 is a left-side view thereof; FIG. 5 is a right-side view thereof; FIG. 6 is a top view thereof; FIG. 7 is a bottom view thereof; FIG. 8 is a front perspective view of a second embodiment of a portable solar charger tilt mount shown with a symbolic break; FIG. 9 is a left-side view thereof; and, FIG. 10 is a right-side view thereof.

The broken line portion of the figure drawings is included to show portions of the article that forms no part of the claimed design. The dot-dot-dash line is used to show a break line that forms no part of the claimed design. The portable solar charger tilt mount is shown with a symbolic break in its length, represented by a break line. The appearance of any portion of the article between the break lines form no part of the claimed design.

1 Claim, 6 Drawing Sheets



(56)

References Cited

U.S. PATENT DOCUMENTS

D605,029 S * 12/2009 Puksta D8/380
D639,150 S * 6/2011 Olson D8/380
D655,669 S * 3/2012 Matijevich D12/223
D781,614 S * 3/2017 Taylor D6/552

OTHER PUBLICATIONS

Knape & Vogt Co 200OP, posted at Amazon.com, posted on May 30, 2008, [online], [site visited May 5, 2017]. Available from Internet, <<https://www.amazon.com/200OP-SN-Nickel-Decorative-Bracket/dp/B0013JA0AC>>.*

Rubbermaid, posted at Amazon.com, posted on Oct. 26, 2014, [online], [site visited May 5, 2017]. Available from Internet, <<https://www.amazon.com/Rubbermaid-1877642-Decorative-Bracket-8-Inch/dp/B00IKVM8EC>>.*

Sunworld, posted at Amazon.com, posted on May 5, 2014, [online], [site visited Aug. 18, 2017]. Available from Internet, <https://www.amazon.com/SUNWORLD-Smart-Phone-Tablet-Stand/product-reviews/B00ITPKCVK/ref=cm_cr_ar_p_d_paging_btm_60?ie=UTF8&reviewerType=avp_only_reviews&sortBy=recent&pageNumber=60>.*

Jule-Art Set of 12, posted at Amazon.com, posted on Dec. 13, 2013, [online], [site visited Aug. 18, 2017]. Available from Internet, <<https://www.amazon.com/Mini-Acrylic-Easel-Stands-2-25/product-reviews/B0095WTLTK>>.*

Banberry Designs, posted at Amazon.com, posted on Feb. 15, 2014, [online], [site visited Aug. 18, 2017]. Available from Internet, <<https://www.amazon.com/Frosted-Plastic-Economy-Easels-Locking/dp/B00I0B0D1C>>.*

* cited by examiner

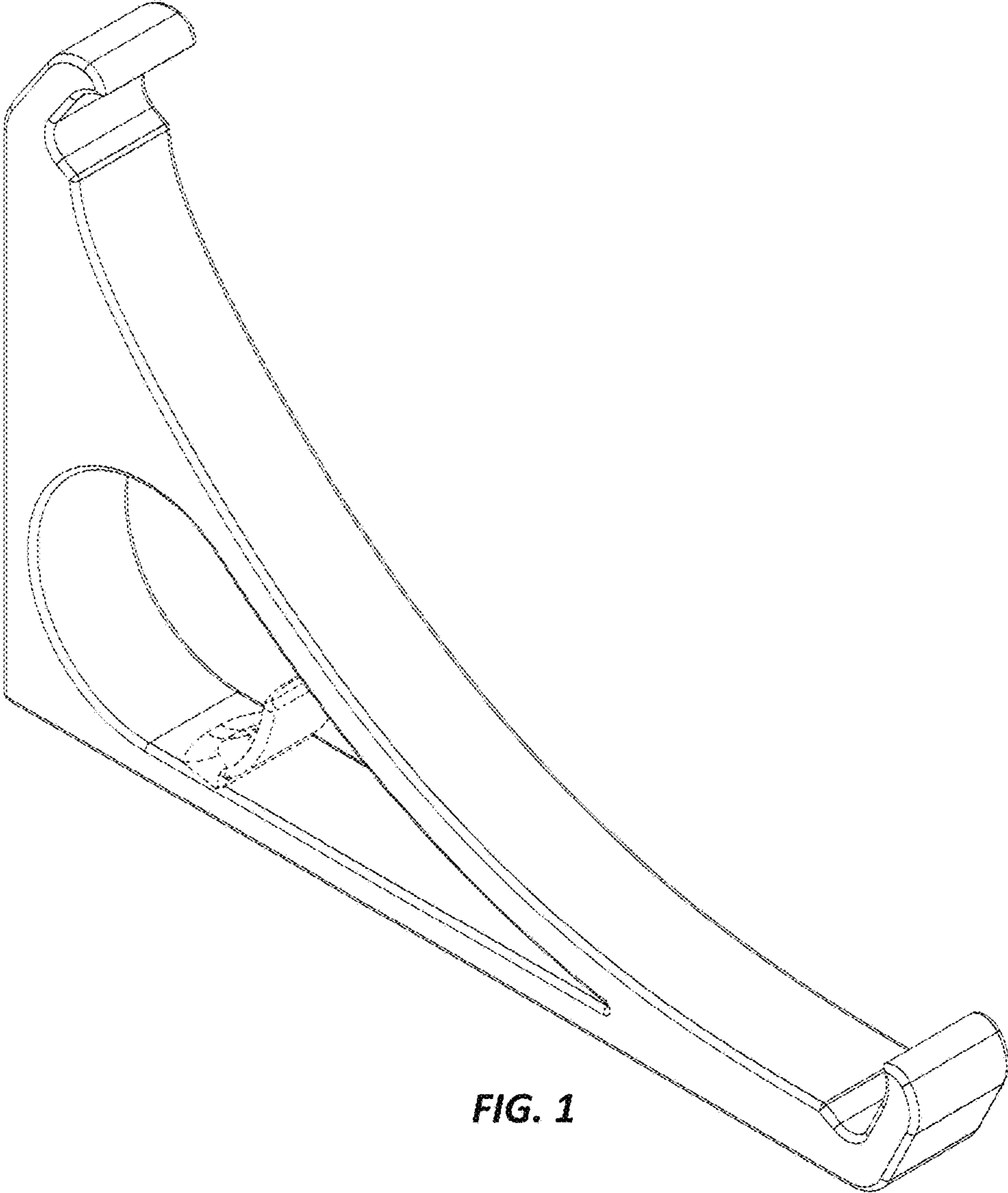


FIG. 1

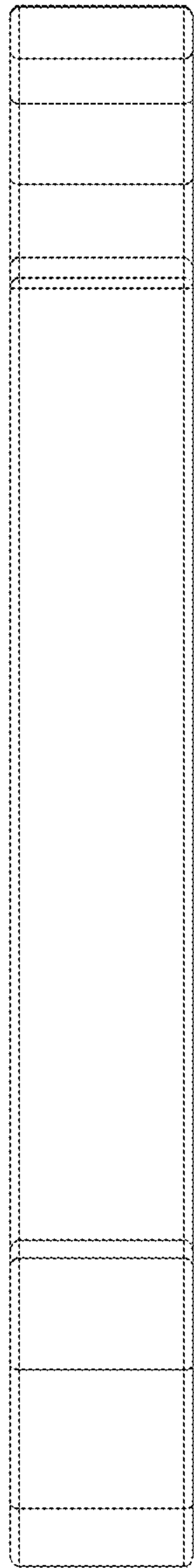


FIG. 2

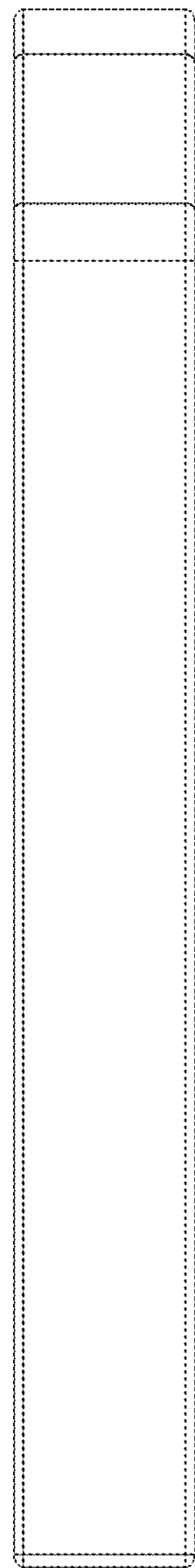


FIG. 3

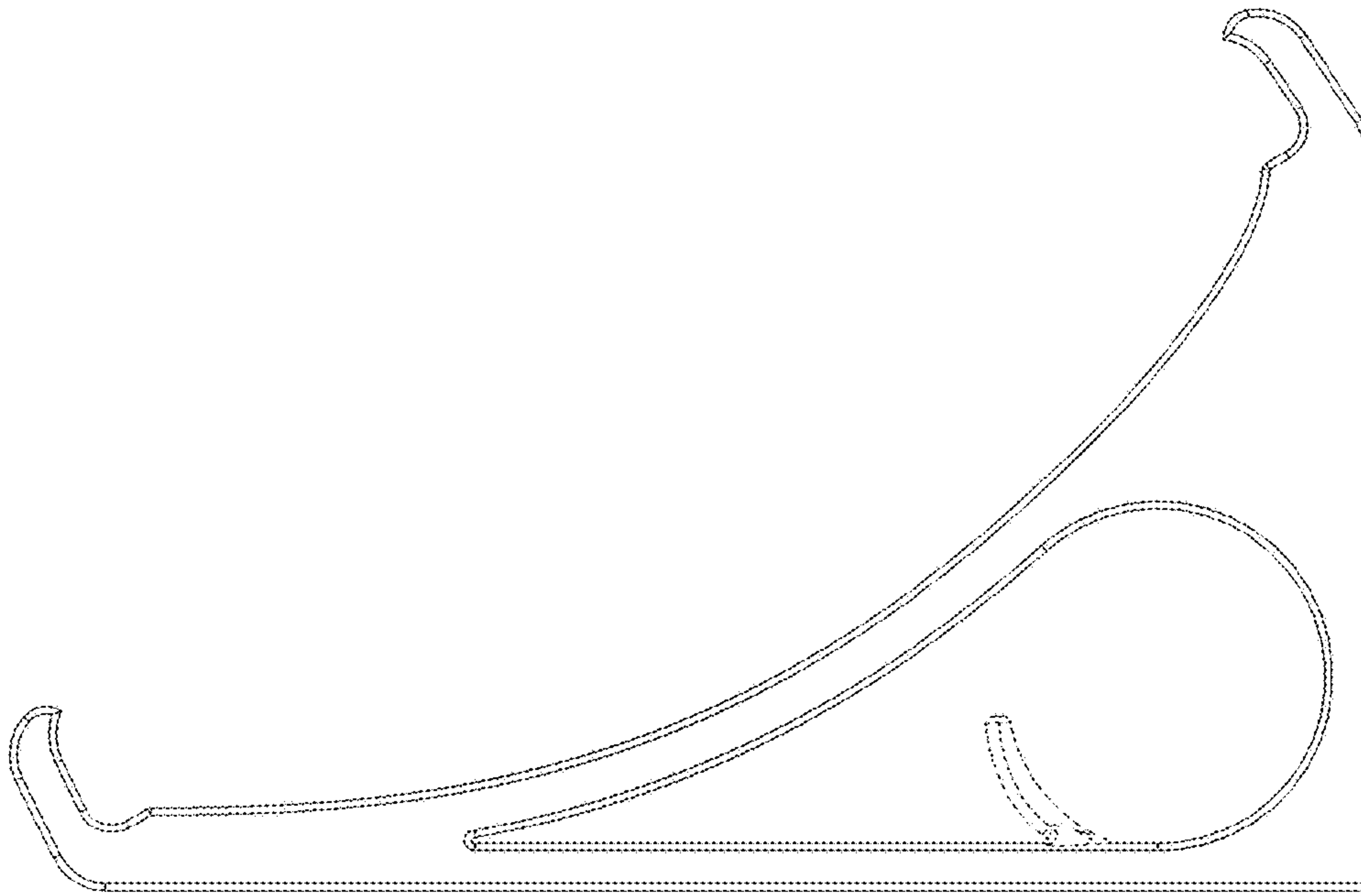


FIG. 4

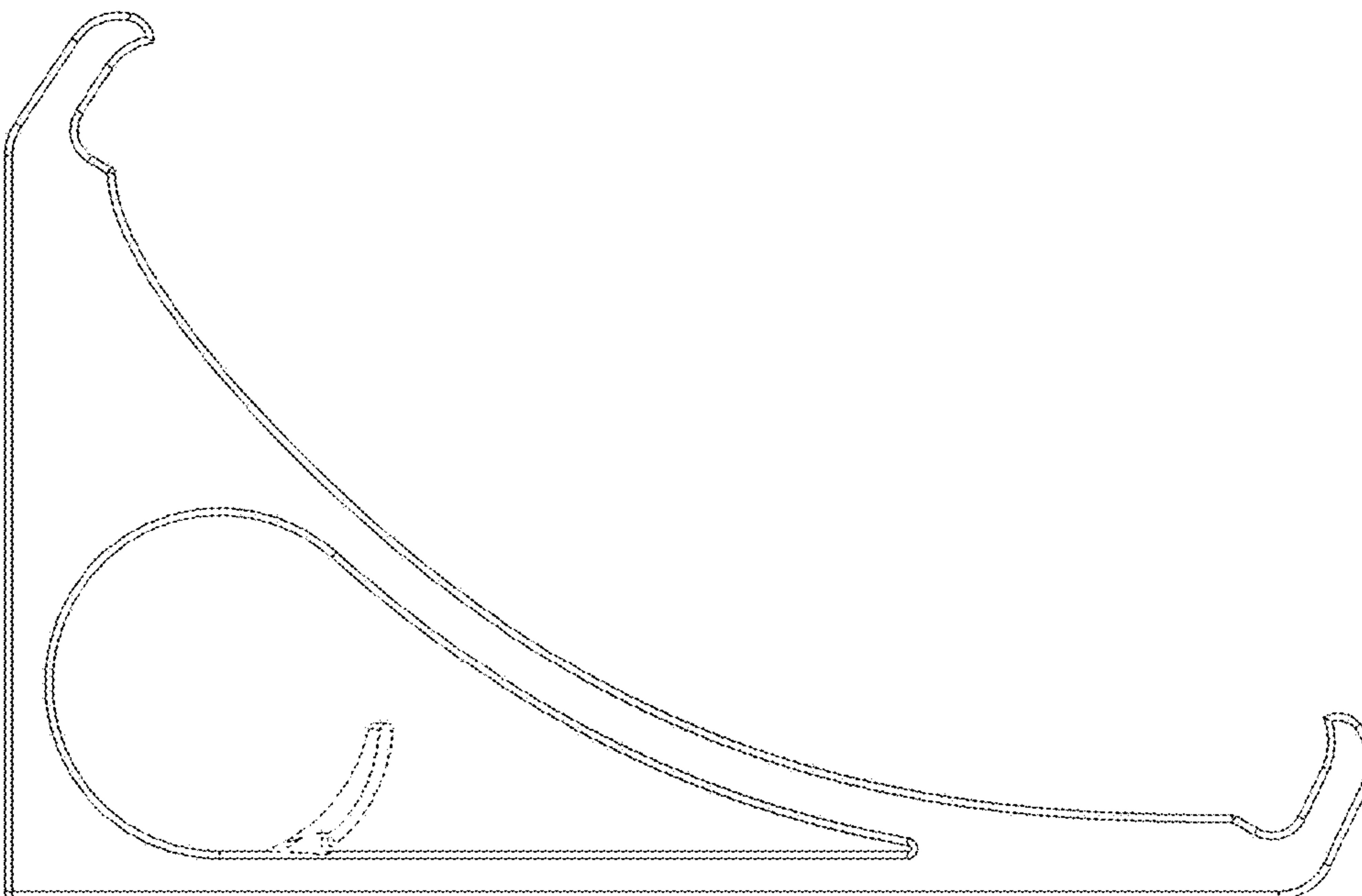


FIG. 5

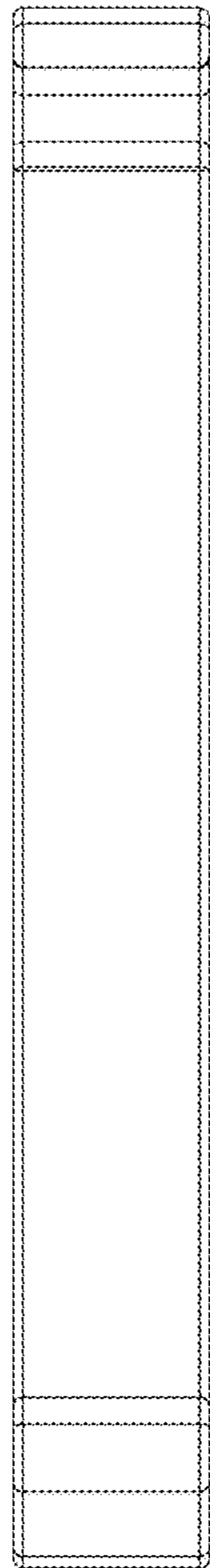


FIG. 6

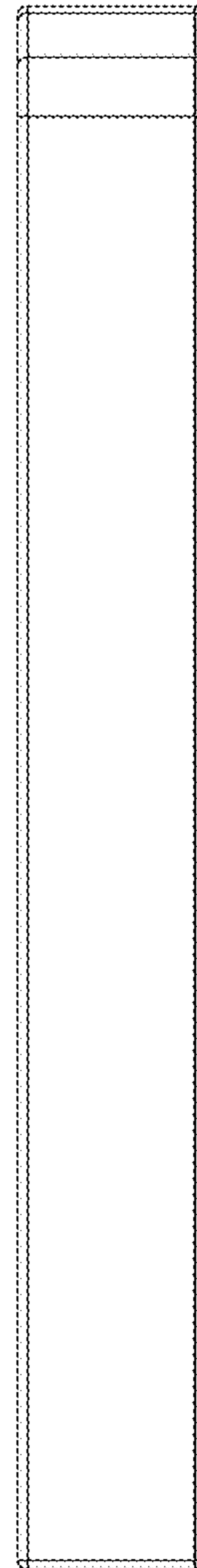


FIG. 7

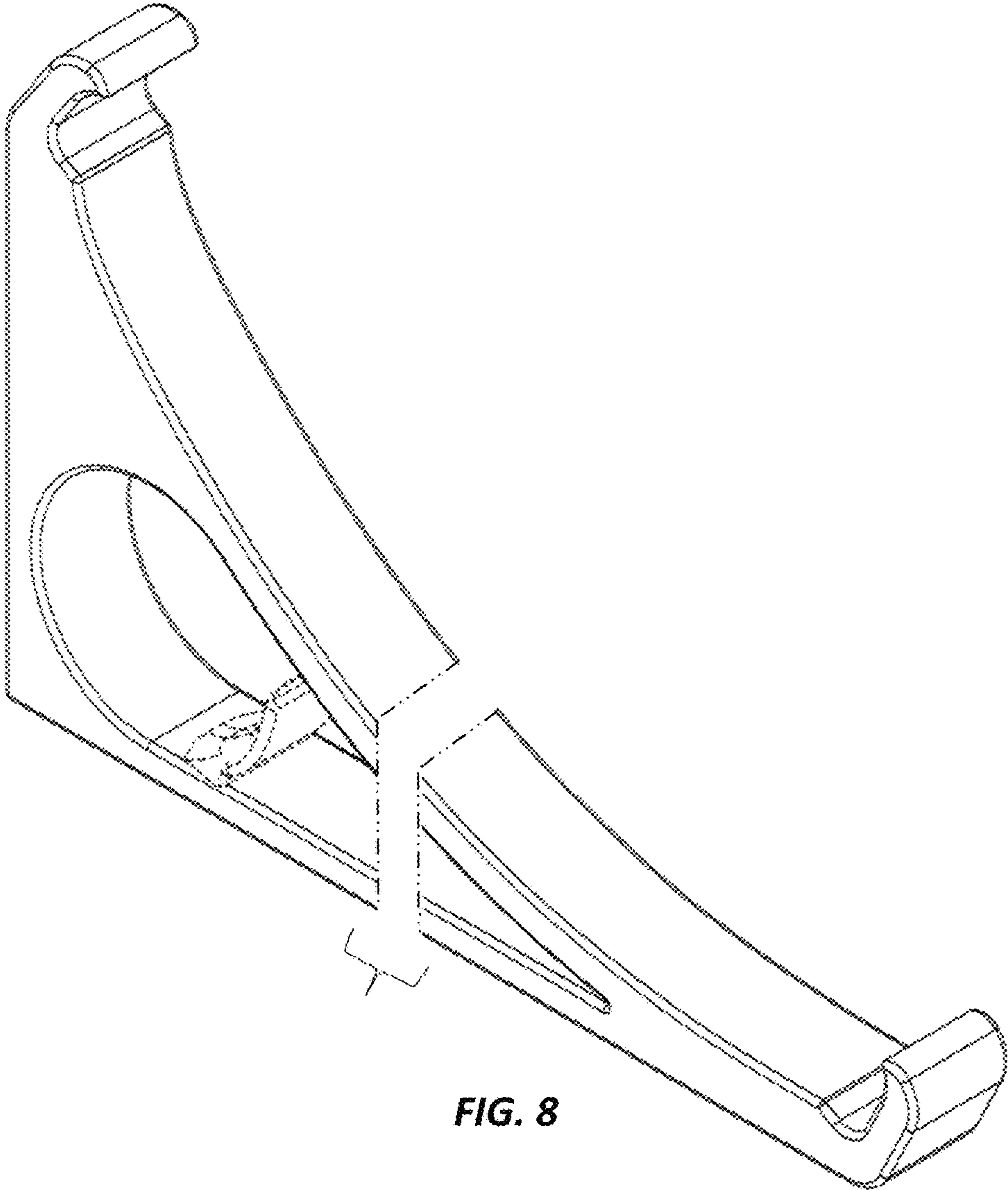


FIG. 8

