



US00D818427S

(12) **United States Design Patent** (10) **Patent No.:** **US D818,427 S**
Mori (45) **Date of Patent:** **** May 22, 2018**

(54) **SPIKE PIN FOR AUTOMOBILE TIRE**

D790,448 S * 6/2017 Yoon D12/605
D790,449 S * 6/2017 Yoon D12/605
D792,841 S * 7/2017 Yoon D12/605
D800,053 S * 10/2017 Yoon D12/604
2013/0000807 A1* 1/2013 Pons B60C 11/1643
152/210

(71) Applicant: **THE YOKOHAMA RUBBER CO., LTD.**, Minato-ku, Tokyo (JP)

(72) Inventor: **Masakazu Mori**, Hiratsuka (JP)

(73) Assignee: **THE YOKOHAMA RUBBER CO., LTD.**, Minato-ku, Tokyo (JP)

FOREIGN PATENT DOCUMENTS

JP D1529035 7/2015

(**) Term: **15 Years**

OTHER PUBLICATIONS

(21) Appl. No.: **29/595,446**

May 16, 2017—(JP) Office Action—App D2016-018473.

(22) Filed: **Feb. 28, 2017**

* cited by examiner

(30) **Foreign Application Priority Data**

Aug. 30, 2016 (JP) 2016-018473

(51) **LOC (11) Cl.** **12-15**

(52) **U.S. Cl.**
USPC **D12/608**; D12/604

(58) **Field of Classification Search**
USPC D12/604–608, 501, 544, 579
CPC ... B60C 27/08; B60C 27/086; B60C 27/0223;
B60C 11/1675; B60C 11/14
See application file for complete search history.

Primary Examiner — George D. Kirschbaum
Assistant Examiner — Clese Moore, Jr.
(74) *Attorney, Agent, or Firm* — Banner & Witcoff, Ltd.

(57) **CLAIM**

The ornamental design for a spike pin for automobile tire, as shown and described.

DESCRIPTION

FIG. 1 is a perspective view of a spike pin for an automobile tire showing my new design;
FIG. 2 is a front view thereof;
FIG. 3 is a right side view thereof;
FIG. 4 is a top view thereof;
FIG. 5 is a bottom view thereof;
FIG. 6 is a cross sectional view taken along lines 6-6 shown in FIG. 2; and,
FIG. 7 is a cross sectional view taken along lines 7-7 shown in FIG. 3.
A rear view appears to be identical to the front view and is omitted. A left side view appears to be identical to the right side view and is omitted. The thin lines shown in the views are for clarifying the shape of the three-dimensional surface.

(56) **References Cited**

U.S. PATENT DOCUMENTS

D431,215 S * 9/2000 Nyblom D12/608
D550,611 S * 9/2007 Liukkula D12/608
D551,614 S * 9/2007 Liukkula D12/608
D559,775 S * 1/2008 Liukkula D12/608
D608,233 S * 1/2010 Pirhonen D12/608
D708,567 S * 7/2014 Matsumoto D12/608
D774,449 S * 12/2016 Matsumoto D12/608
D775,585 S * 1/2017 Matsumoto D12/608
D775,586 S * 1/2017 Matsumoto D12/608
D776,047 S * 1/2017 Matsumoto D12/608
D776,048 S * 1/2017 Matsumoto D12/608
D776,049 S * 1/2017 Matsumoto D12/608
D777,097 S * 1/2017 Matsumoto D12/608

1 Claim, 7 Drawing Sheets

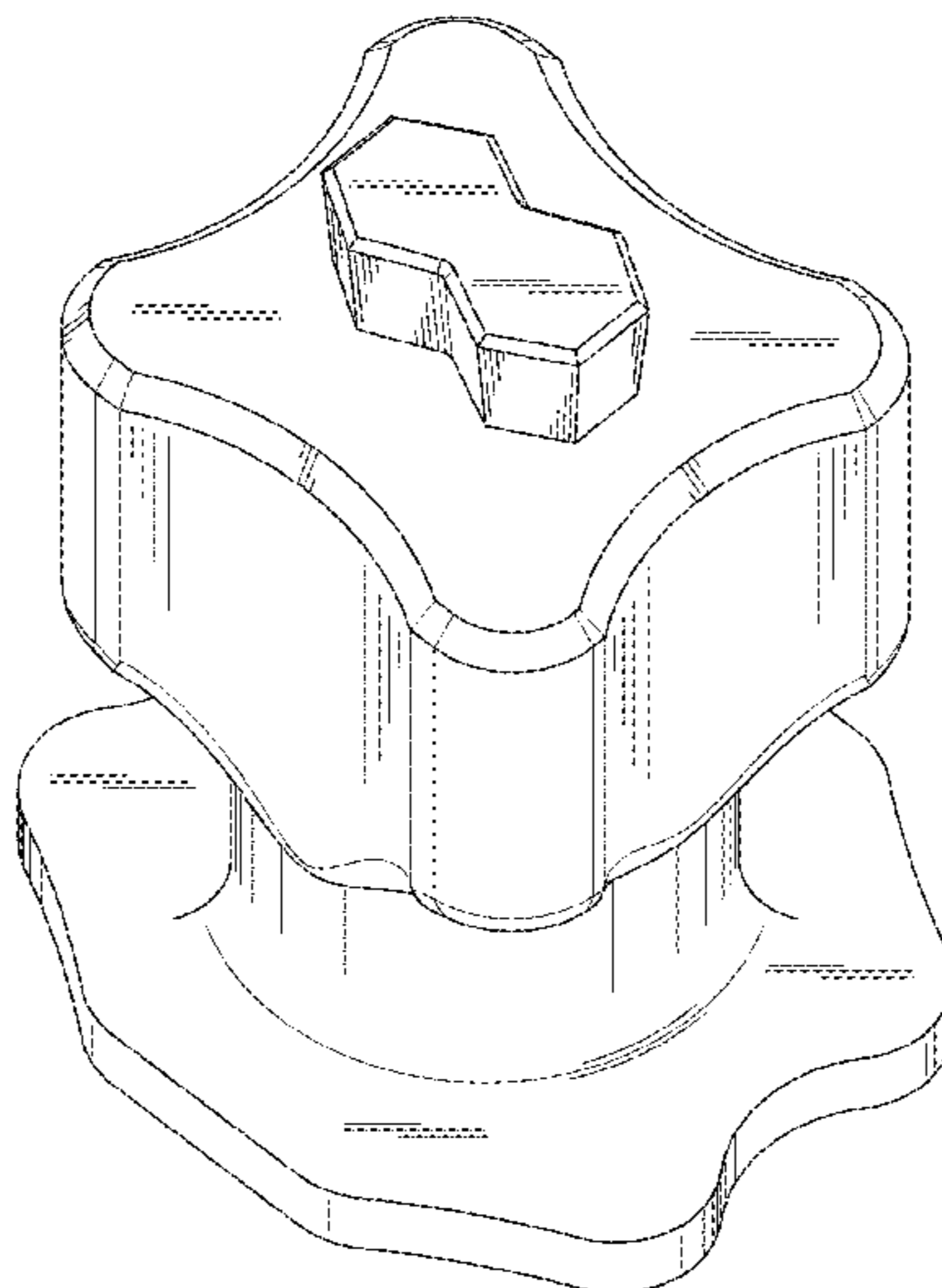


FIG. 1

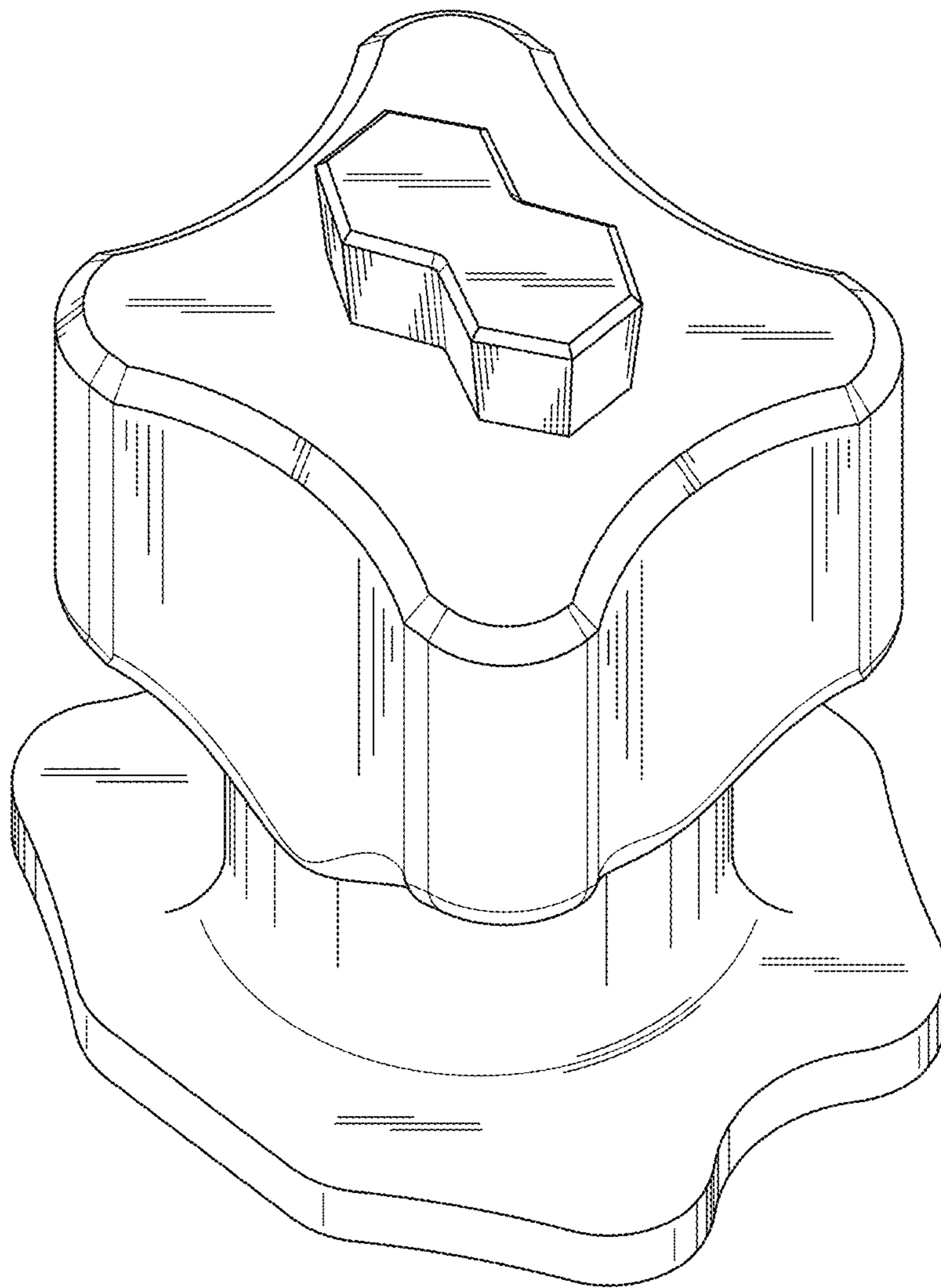


FIG. 2

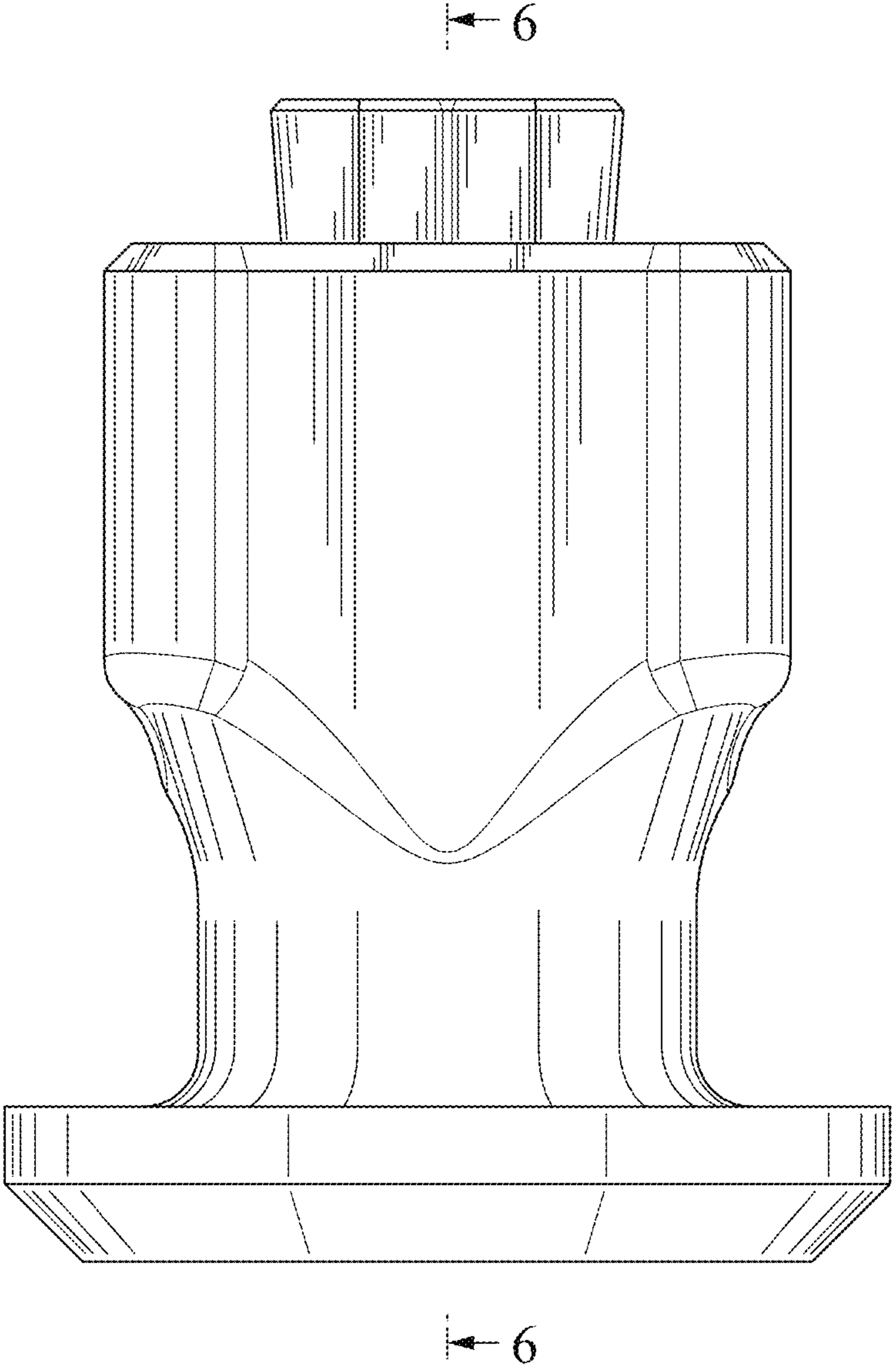


FIG. 3

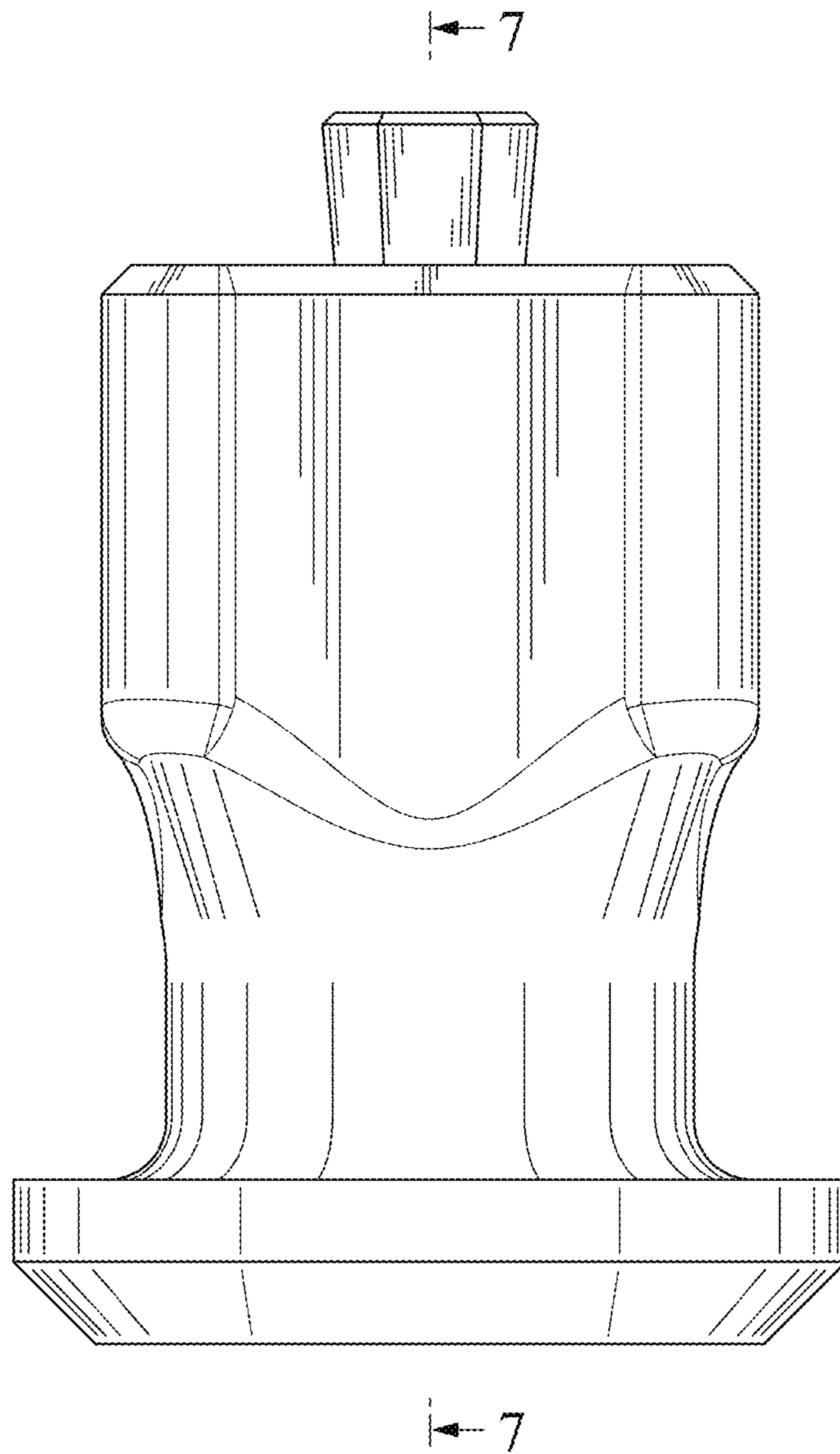


FIG. 4

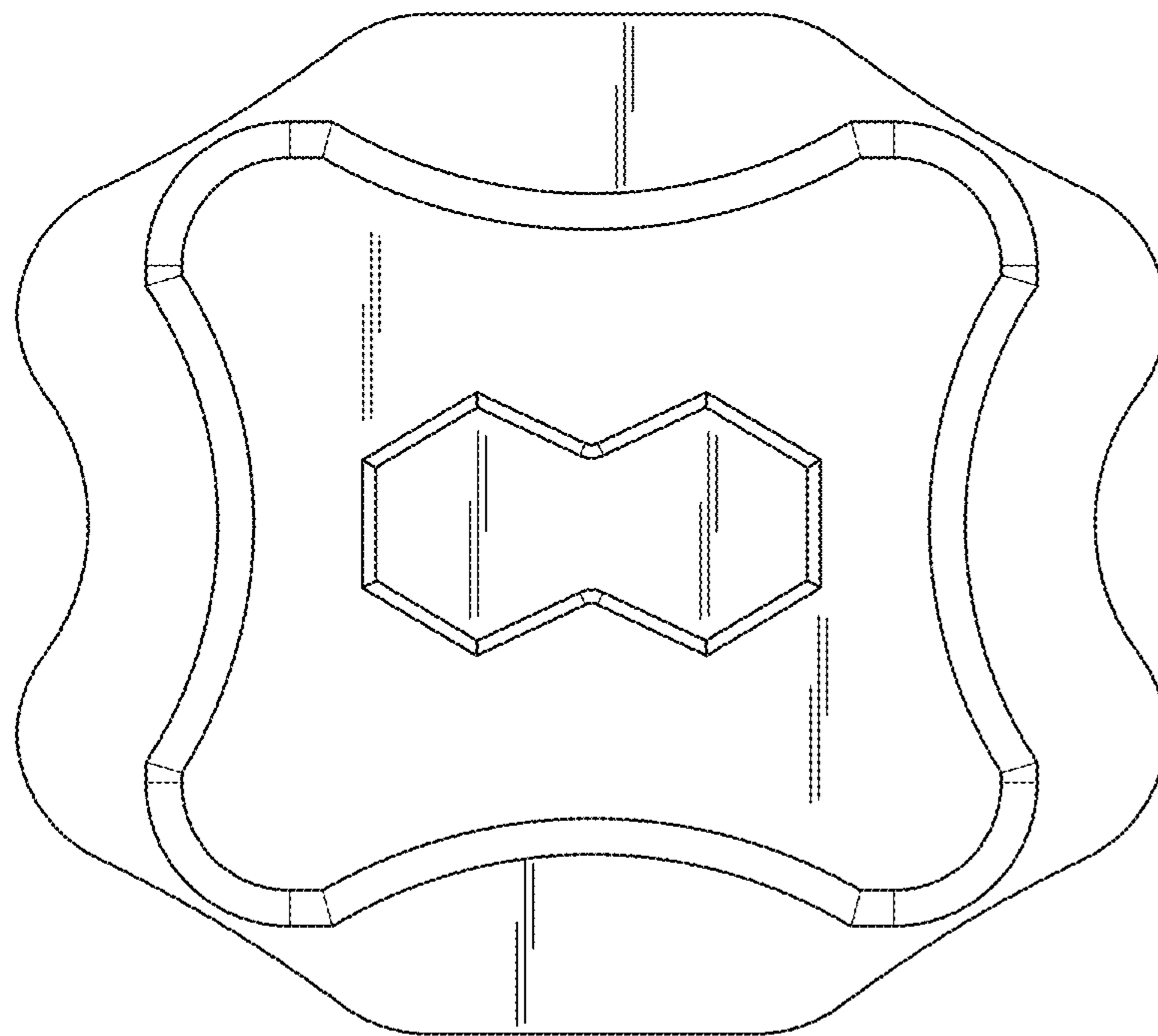


FIG. 5

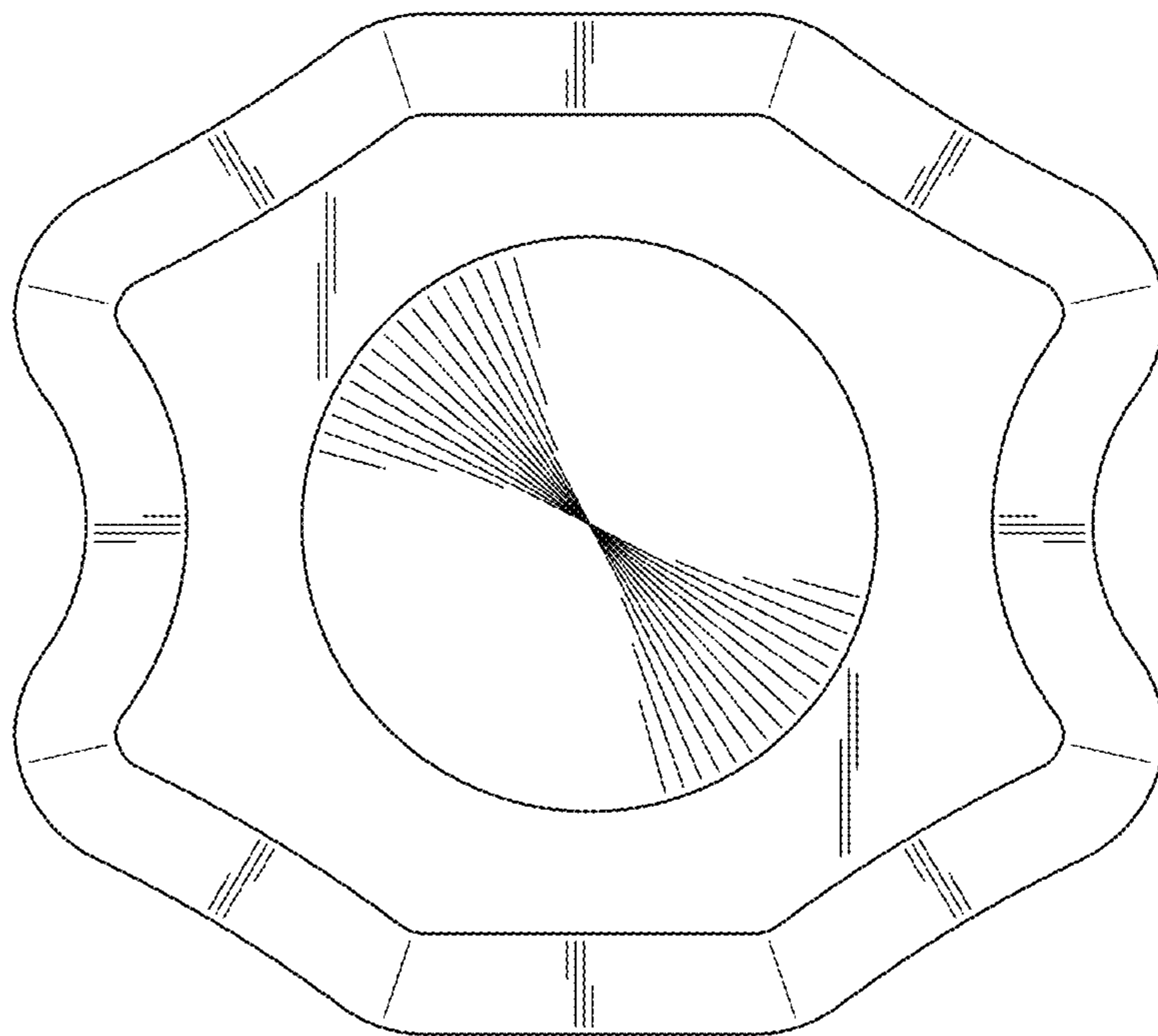


FIG. 6

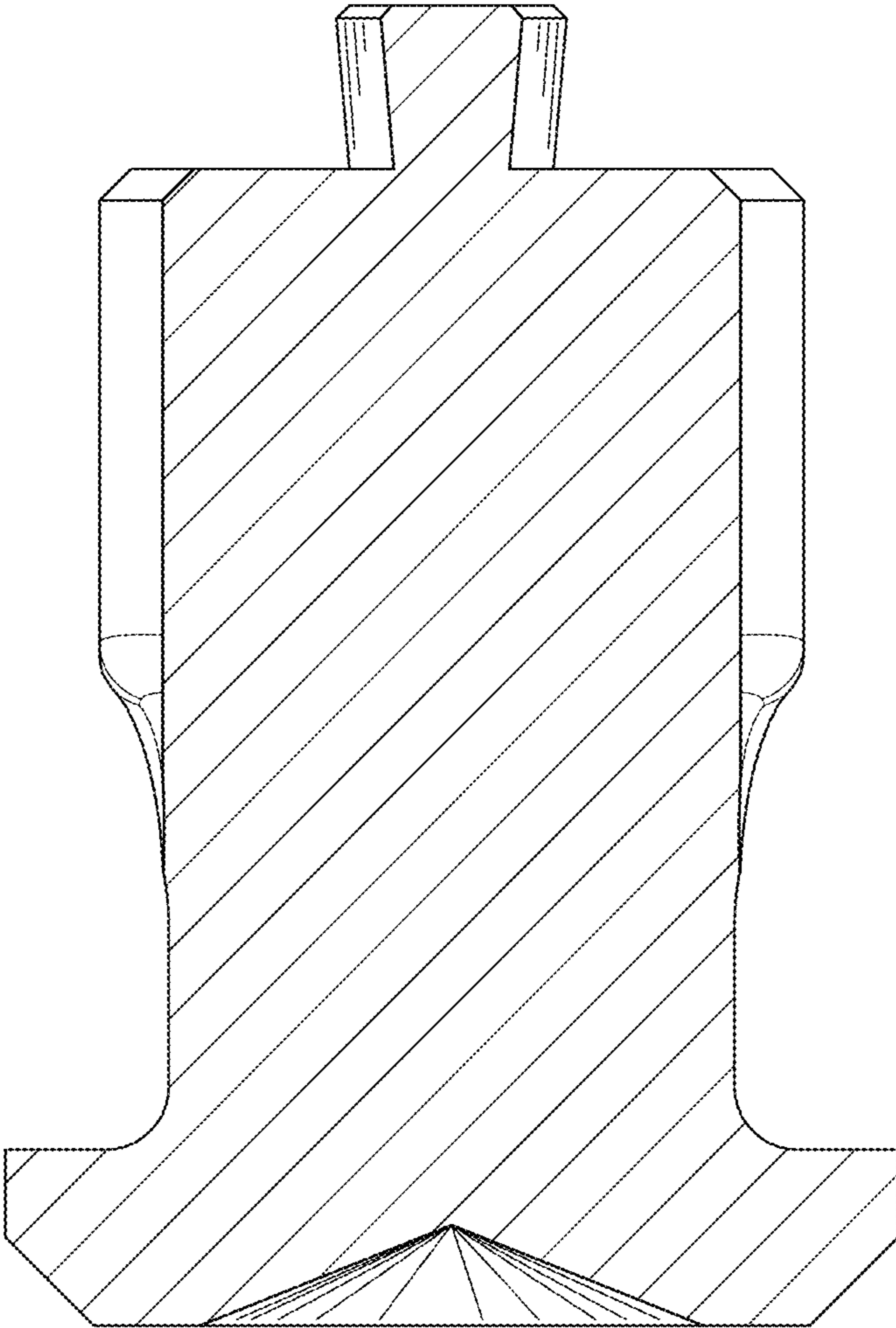


FIG. 7

