



US00D818426S

(12) **United States Design Patent**
Kuwano

(10) **Patent No.:** **US D818,426 S**
(45) **Date of Patent:** **** May 22, 2018**

(54) **TIRE**

FOREIGN PATENT DOCUMENTS

(71) Applicant: **Toyo Tire & Rubber Co., Ltd.**,
Osaka-shi, Osaka (JP)

JP 1465980 S 4/2013

* cited by examiner

(72) Inventor: **Shingo Kuwano**, Osaka (JP)

Primary Examiner — Robert M. Spear

(73) Assignee: **Toyo Tire & Rubber Co., Ltd.**, Osaka
(JP)

(74) *Attorney, Agent, or Firm* — Sterne, Kessler,
Goldstein & Fox P.L.L.C.

(**) Term: **15 Years**

(21) Appl. No.: **29/596,827**

(57) **CLAIM**

The ornamental design for a tire, as shown and described.

(22) Filed: **Mar. 10, 2017**

(30) **Foreign Application Priority Data**

DESCRIPTION

Nov. 16, 2016 (JP) 2016-024947

(51) **LOC (11) Cl.** **12-15**

(52) **U.S. Cl.**
USPC **D12/600**

(58) **Field of Classification Search**
USPC D12/579, 594, 595, 600, 601, 604
CPC B60C 11/0306; B60C 11/11; B60C
2011/0311

FIG. 1 is a front perspective view of a tire showing the claimed design;

FIG. 2 is a front view thereof;

FIG. 3 is a rear view thereof;

FIG. 4 is a top plan view thereof;

FIG. 5 is a bottom plan view thereof;

FIG. 6 is a right side view thereof;

FIG. 7 is a left side view thereof;

FIG. 8 is an enlarged view taken along line 8-8 in FIG. 1;

FIG. 9 is an enlarged view of the portion 9-9 in FIG. 2; and,

FIG. 10 is an enlarged cross-sectional view taken along line 10-10 in FIG. 9.

See application file for complete search history.

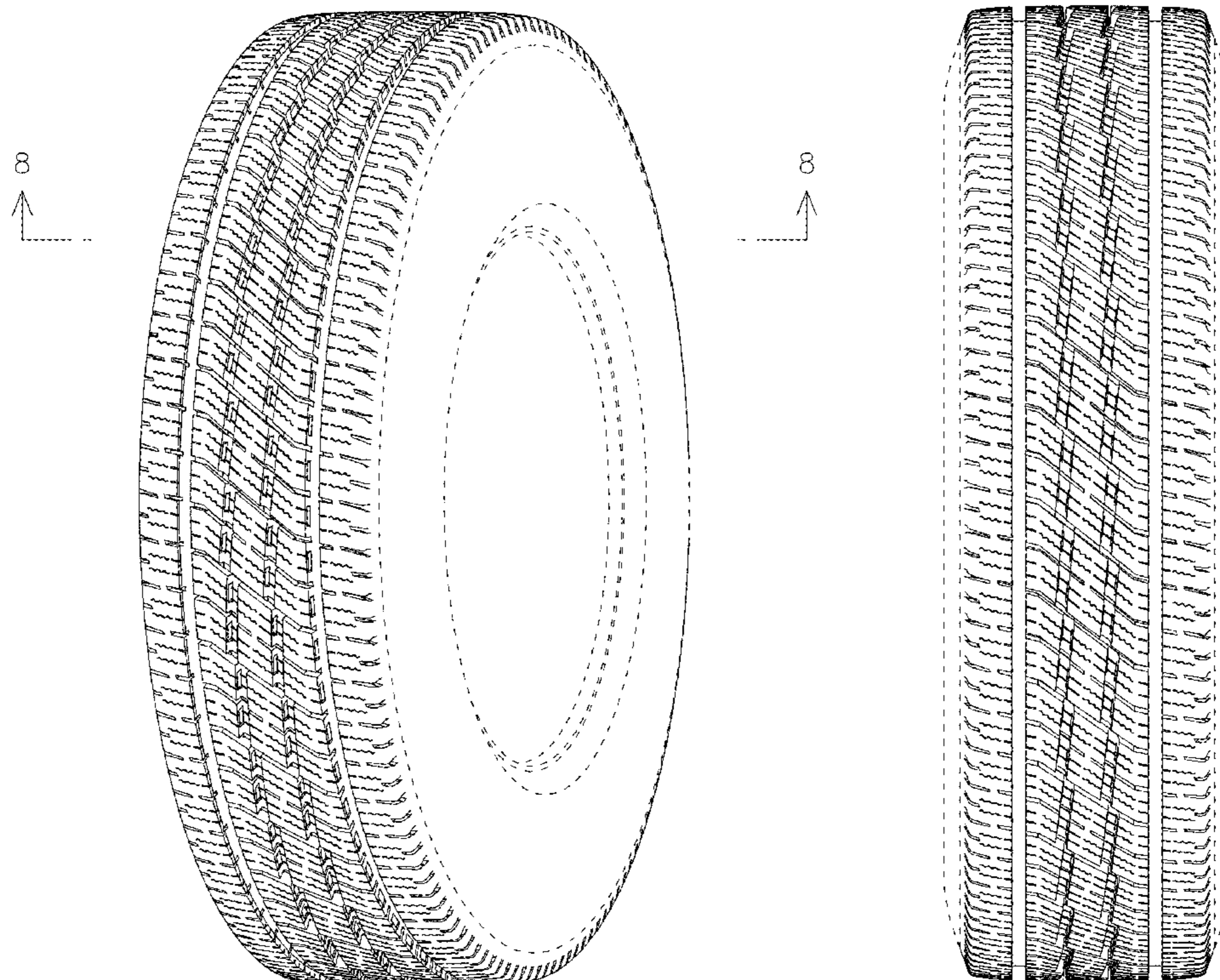
In the drawings, the broken lines show portions of the tire that form no part of the claimed design.

(56) **References Cited**

U.S. PATENT DOCUMENTS

D504,390 S * 4/2005 Kindig D12/594
D662,458 S * 6/2012 De Benedittis D12/595
D669,843 S * 10/2012 Grote D12/600

1 Claim, 10 Drawing Sheets



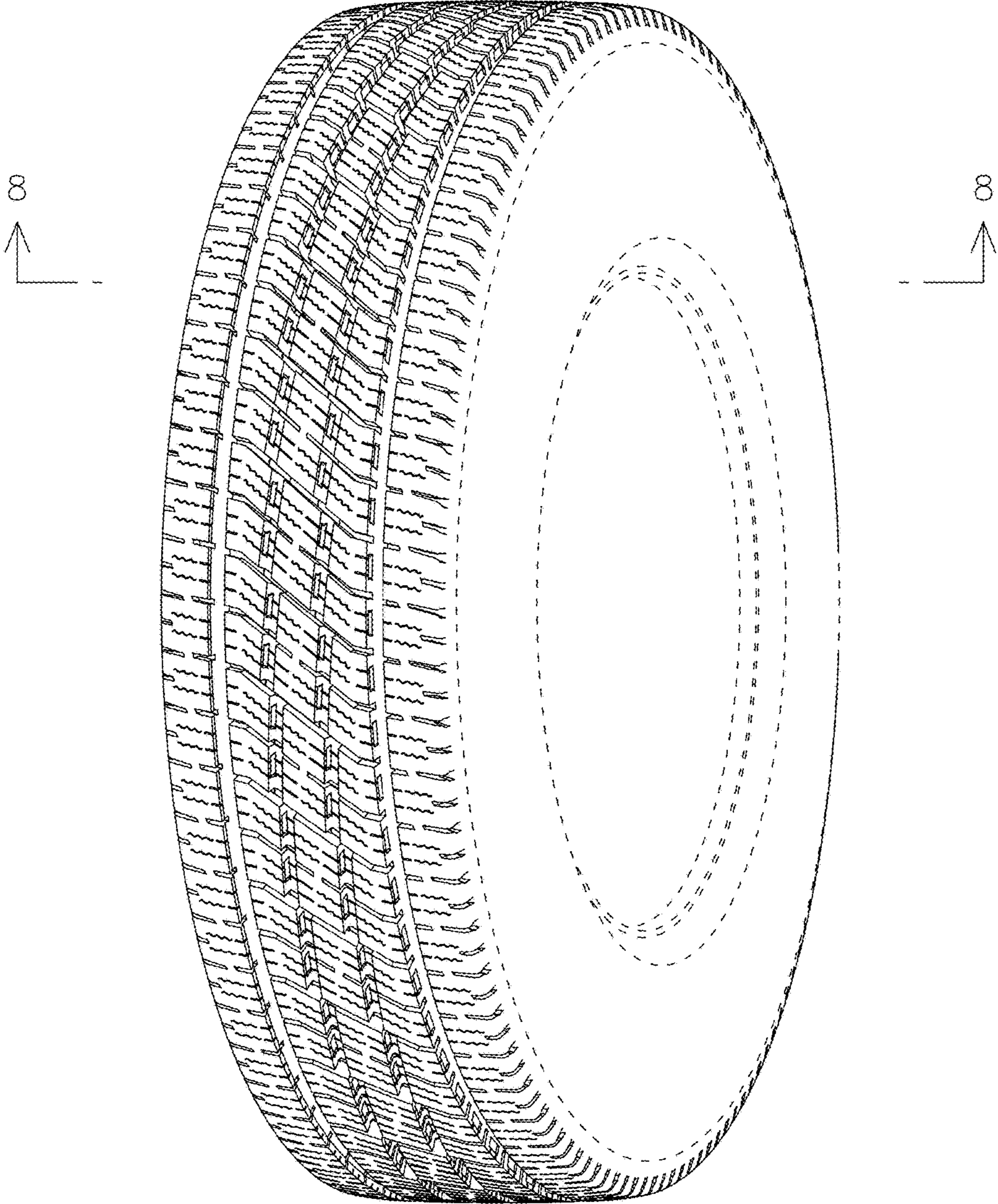


FIG. 1

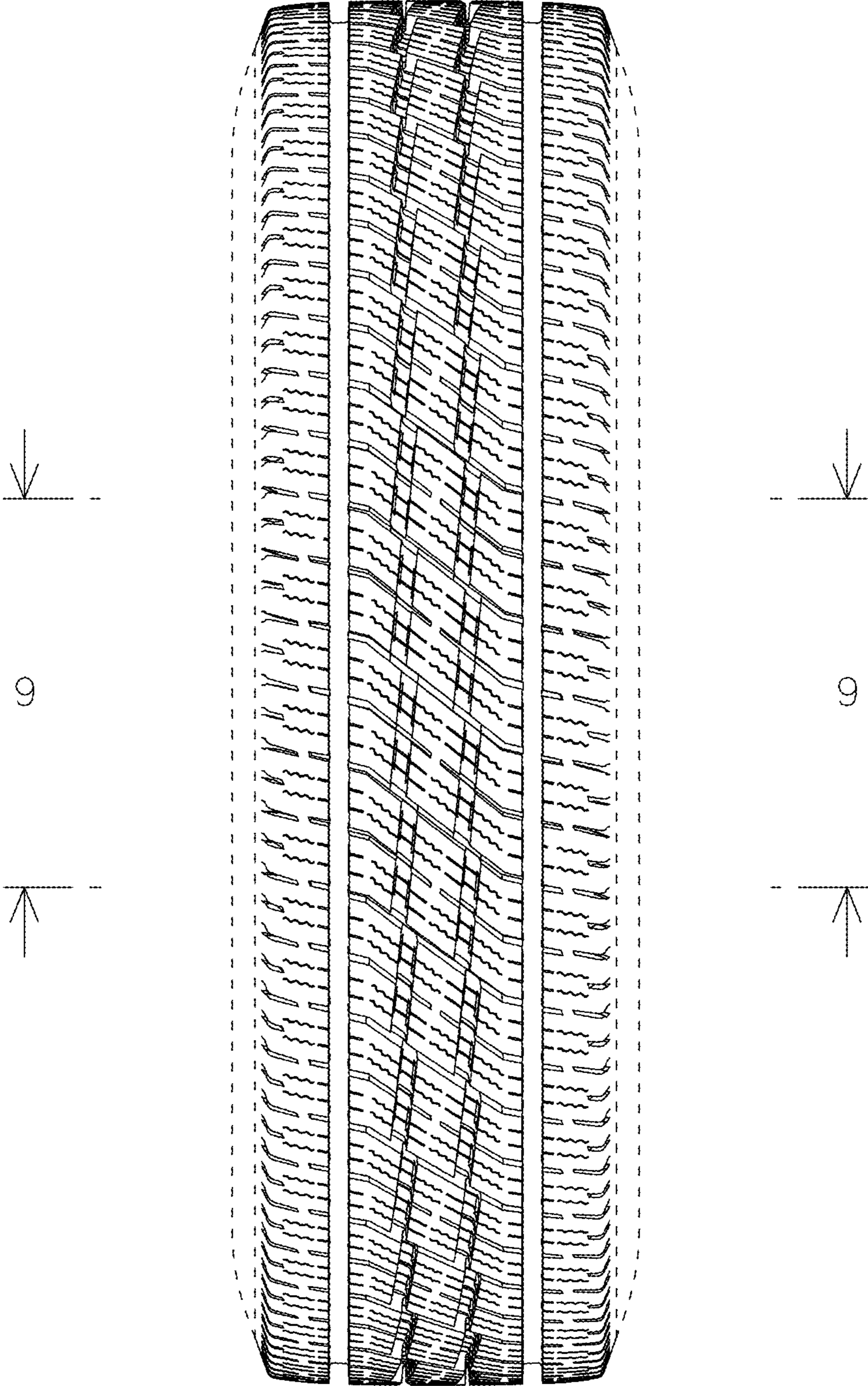


FIG. 2

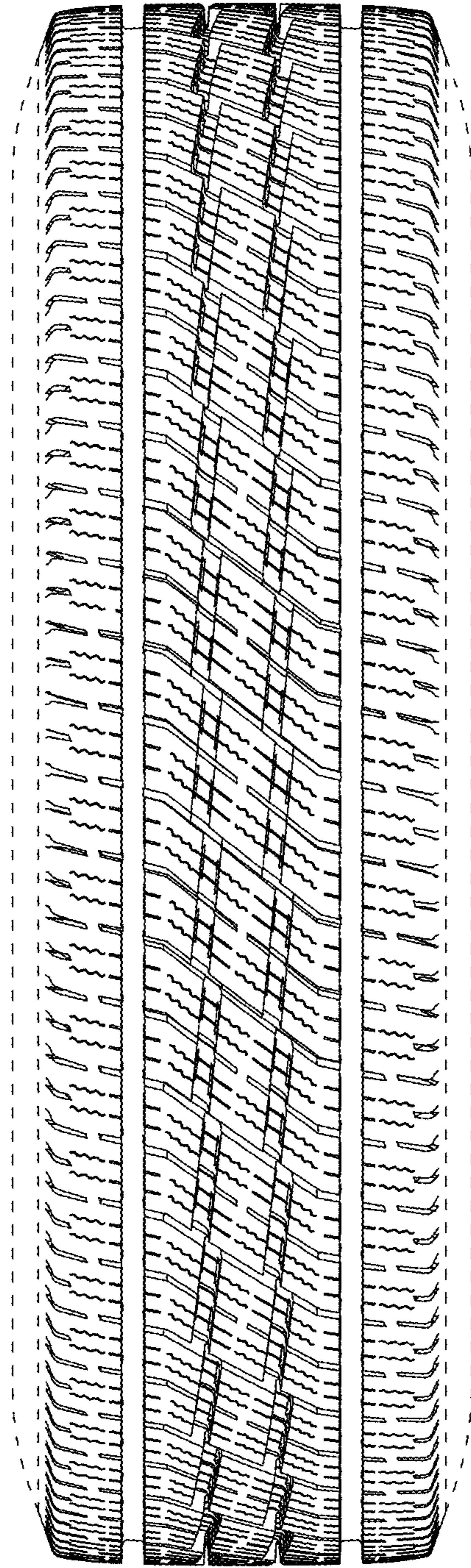


FIG. 3

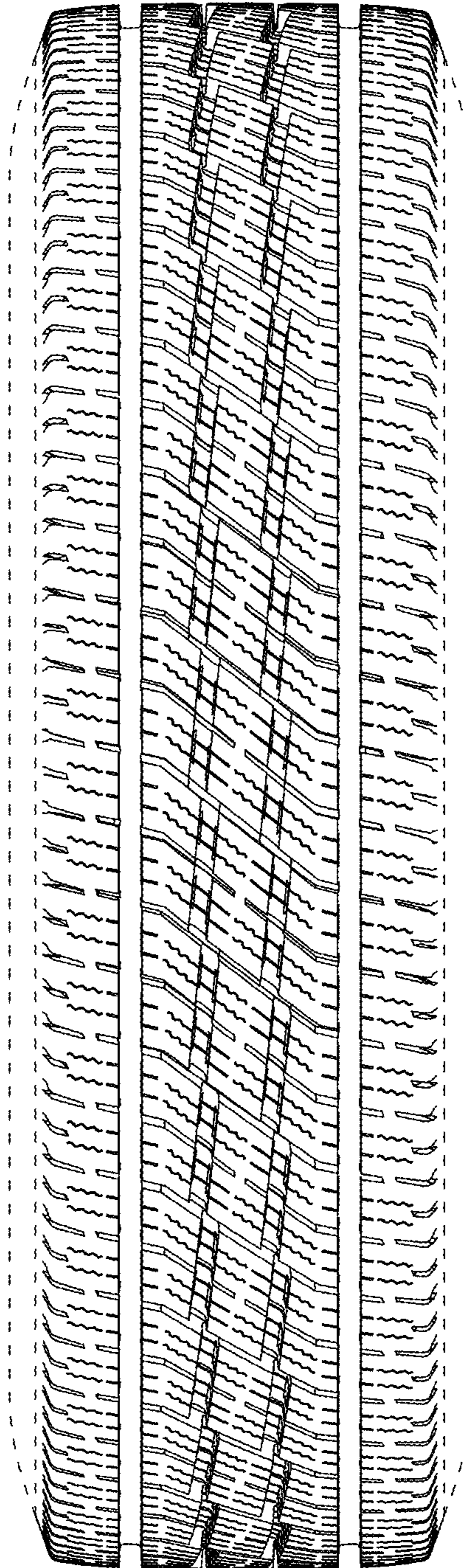


FIG. 4

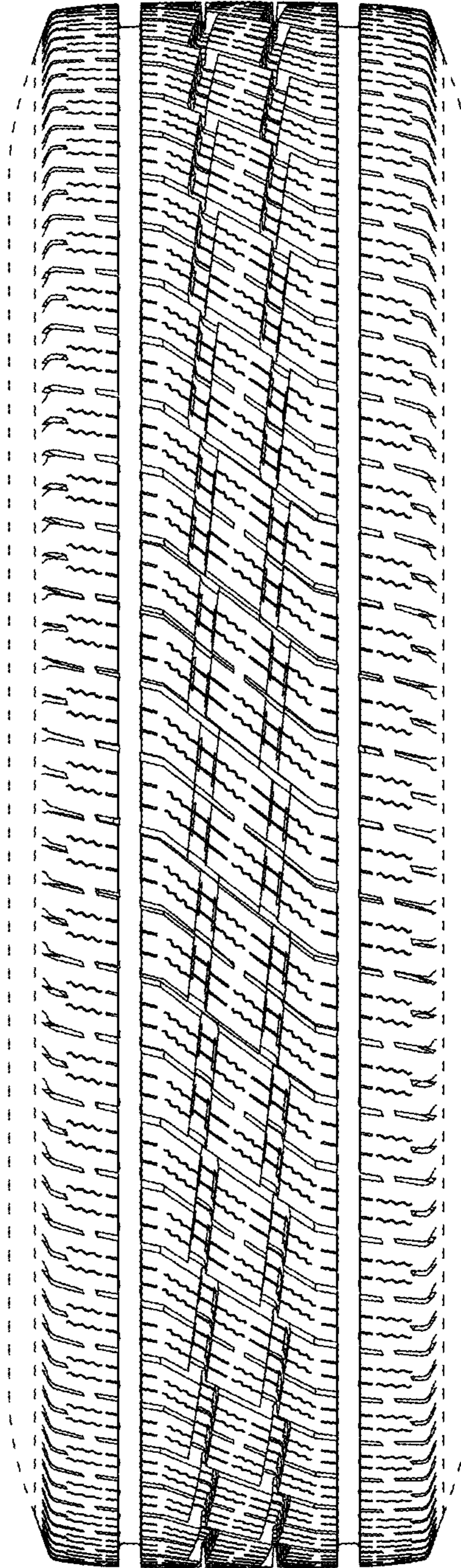


FIG. 5

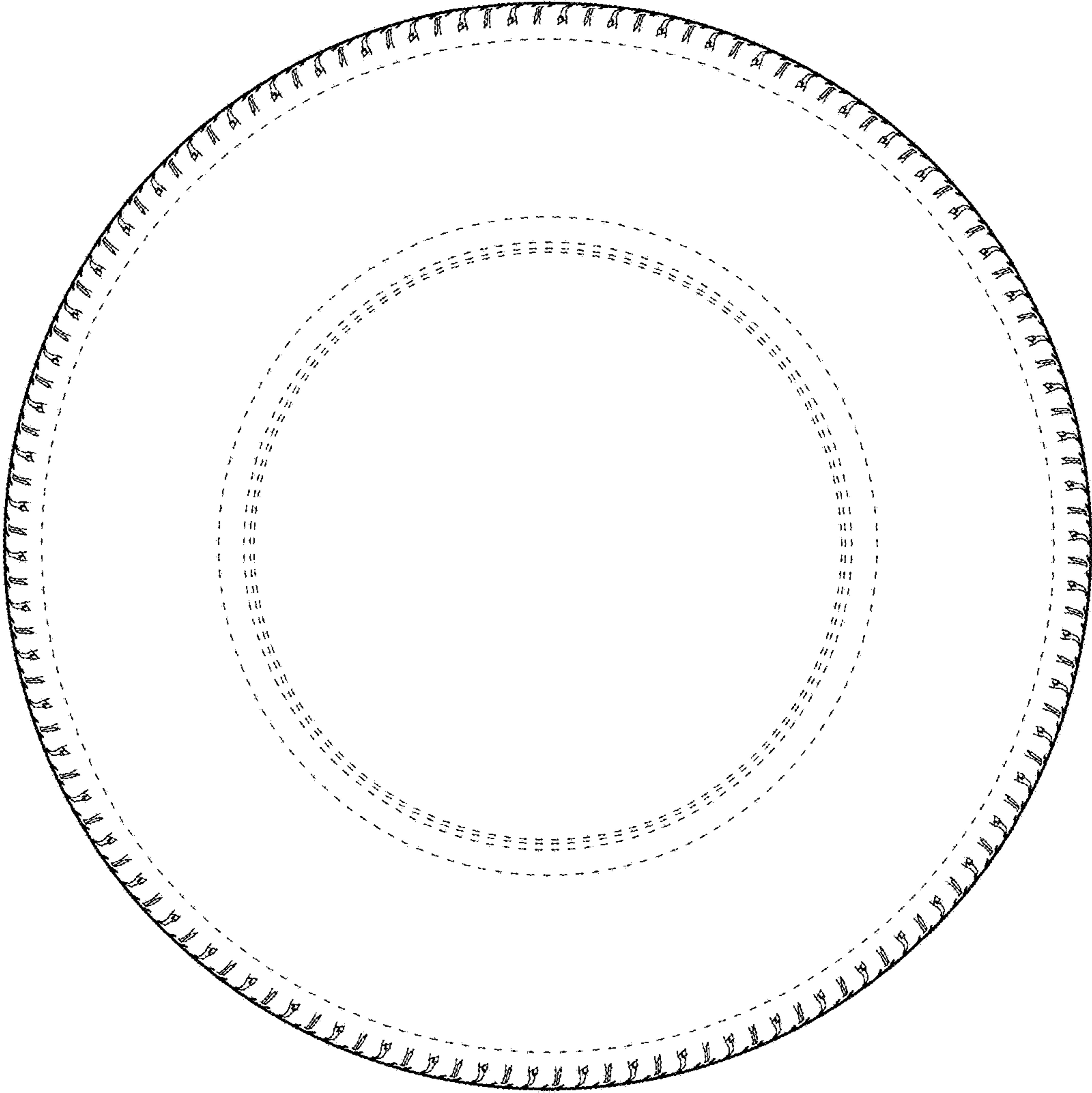


FIG. 6

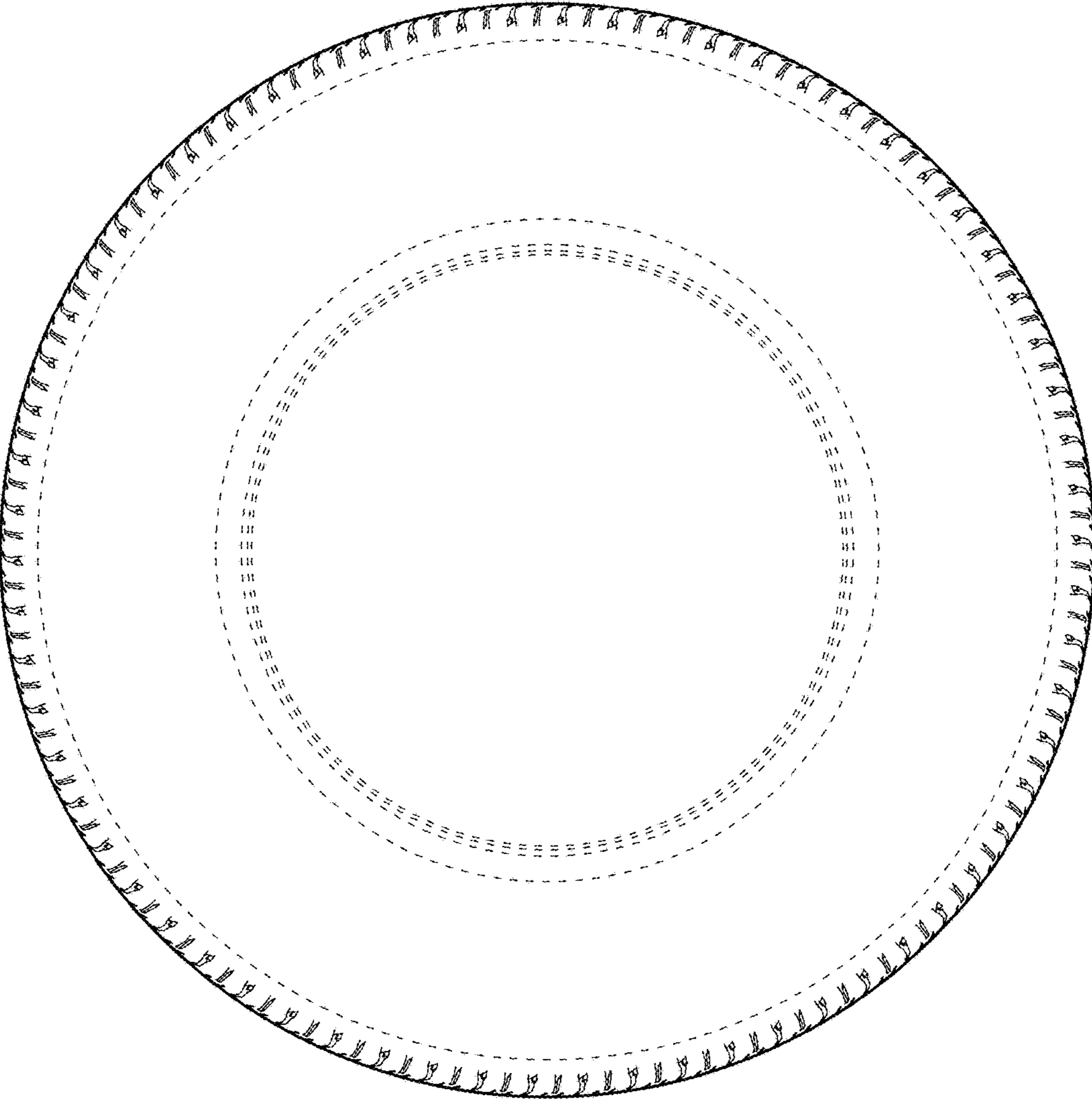


FIG. 7

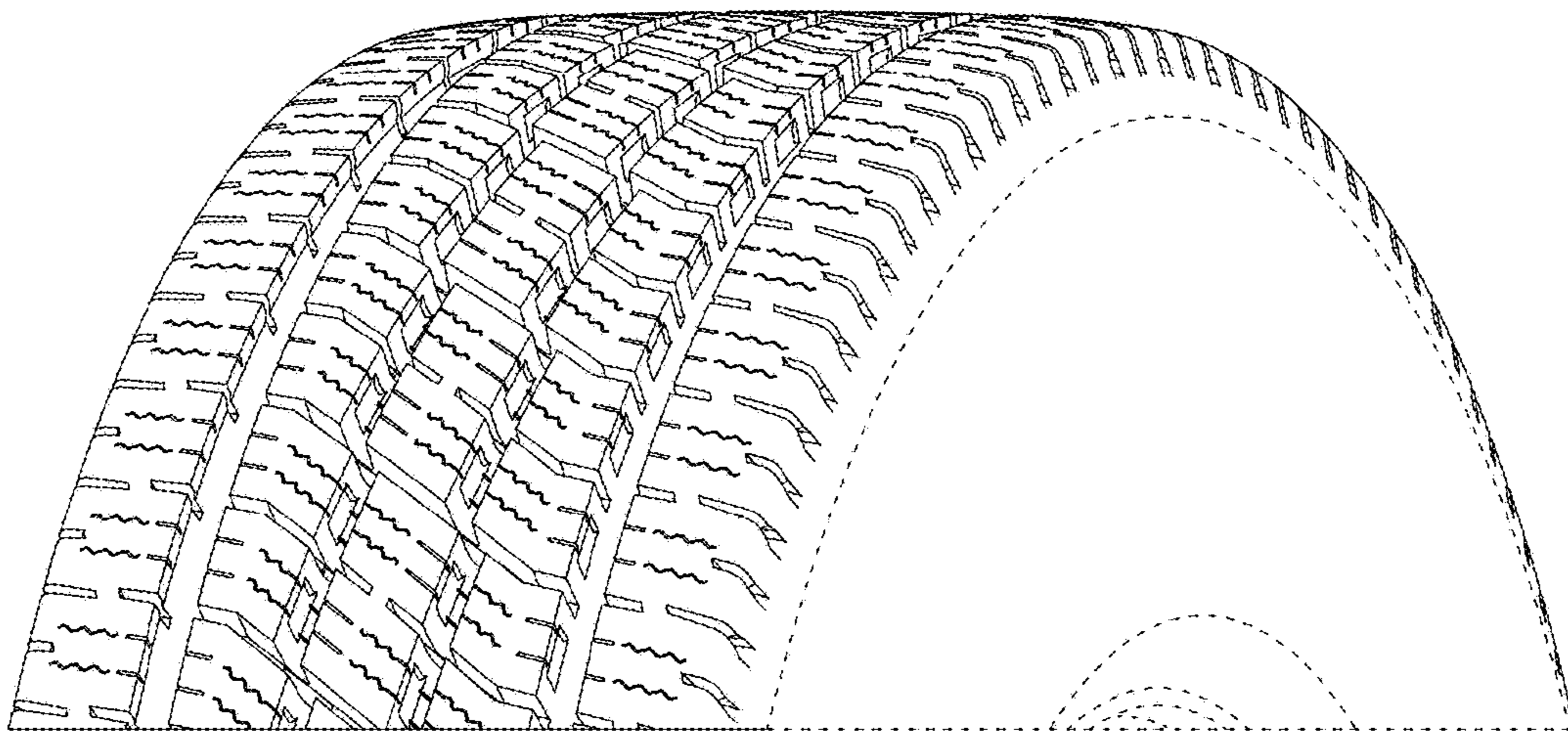


FIG. 8

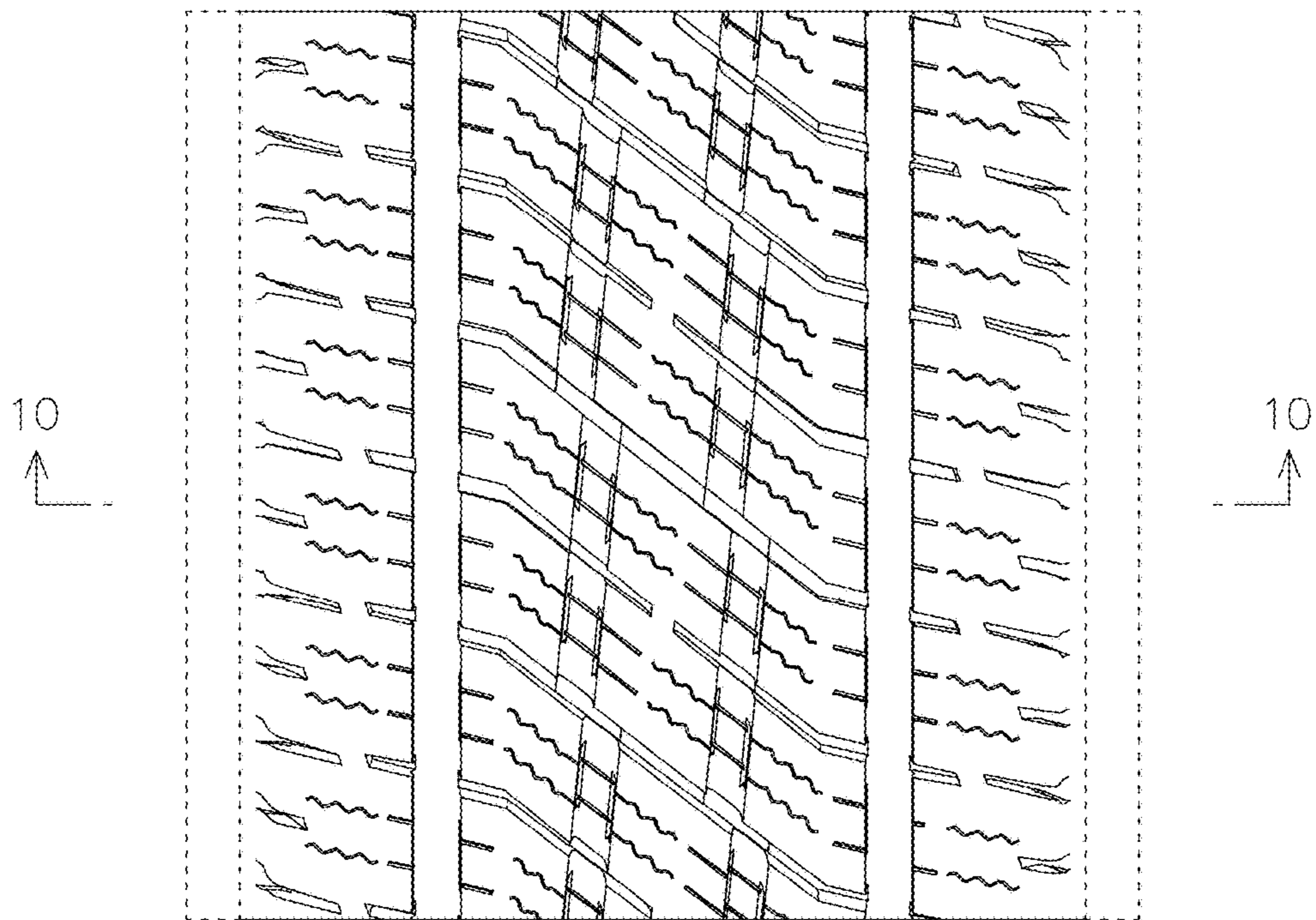


FIG. 9

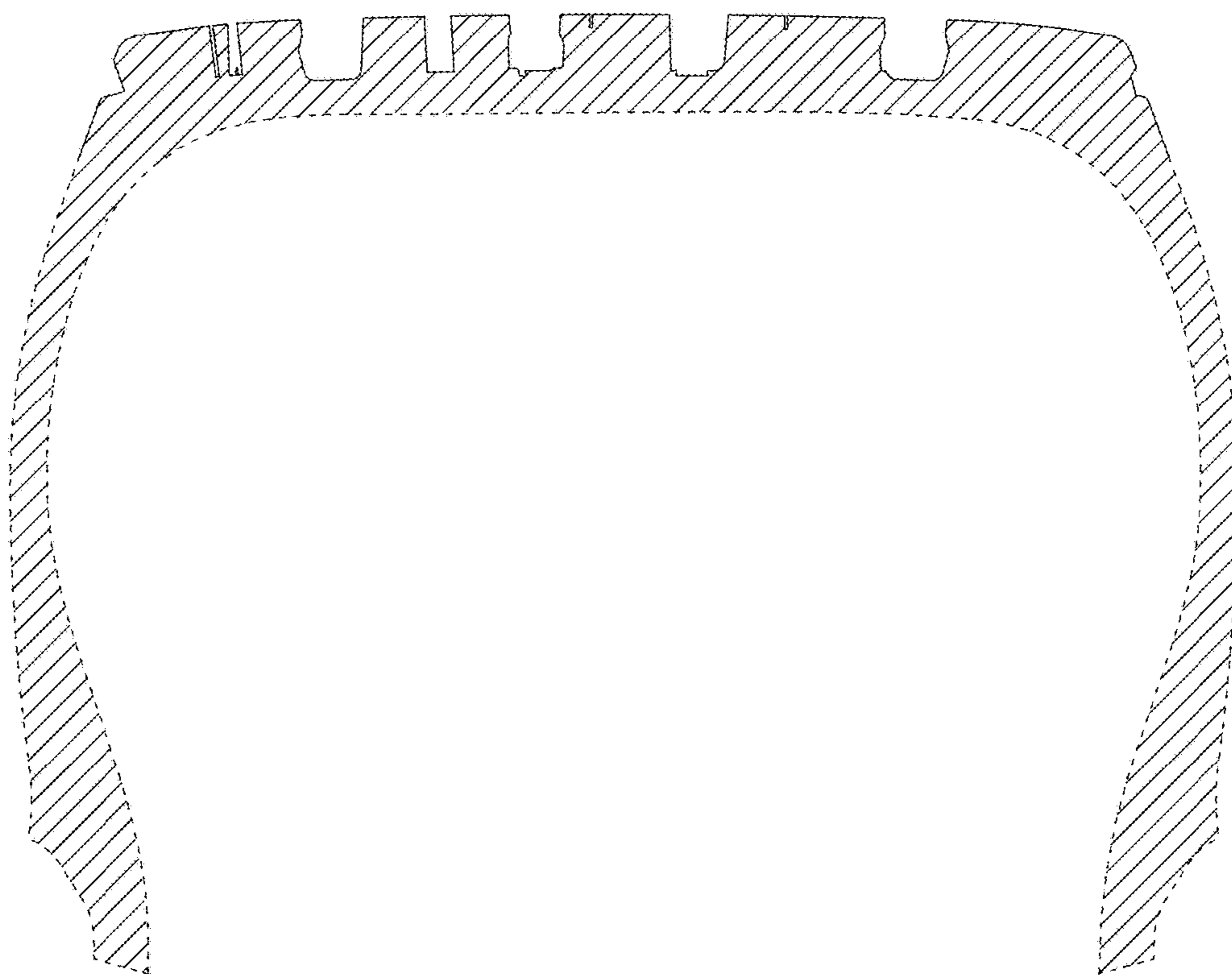


FIG. 10