



US00D818425S

(12) **United States Design Patent**  
**Mita et al.**

(10) **Patent No.:** **US D818,425 S**

(45) **Date of Patent:** **\*\* May 22, 2018**

(54) **AUTOMOBILE TIRE**

(71) Applicant: **THE YOKOHAMA RUBBER CO., LTD.**, Minato-ku, Tokyo (JP)

(72) Inventors: **Masaya Mita**, Hiratsuka (JP); **Makoto Ishii**, Tokyo (JP)

(73) Assignee: **THE YOKOHAMA RUBBER CO., LTD.**, Minato-ku, Tokyo (JP)

(\*\*) Term: **15 Years**

(21) Appl. No.: **29/590,022**

(22) Filed: **Jan. 6, 2017**

(30) **Foreign Application Priority Data**

Jul. 8, 2016 (JP) ..... 2016-014605

(51) **LOC (11) Cl.** ..... **12-15**

(52) **U.S. Cl.**  
USPC ..... **D12/591**

(58) **Field of Classification Search**  
USPC ..... D12/568-604, 900  
CPC ..... Y10T 152/10027; B60C 1/0016; B60C 11/0306; B60C 11/0302; B60C 3/06; B60C 9/17  
See application file for complete search history.

(56) **References Cited**

**U.S. PATENT DOCUMENTS**

D305,221 S	*	12/1989	Minamitani	.....	D12/591
D429,189 S	*	8/2000	Boznar	.....	D12/591
D432,957 S	*	10/2000	Ricquet	.....	D12/521
D513,402 S	*	1/2006	Shirouzu	.....	D12/590
D571,286 S	*	6/2008	Fontaine	.....	D12/590
D580,348 S	*	11/2008	Fontaine	.....	D12/591

D587,189 S	*	2/2009	Hata	.....	D12/591
D646,626 S	*	10/2011	Murata	.....	D12/586
D696,184 S	*	12/2013	Choi	.....	D12/591
D704,624 S	*	5/2014	Miyazaki	.....	D12/590
D792,838 S	*	7/2017	Thieman	.....	D12/591
D793,951 S	*	8/2017	Dahl	.....	D12/591
D805,025 S	*	12/2017	Schuessler	.....	D12/591

\* cited by examiner

*Primary Examiner* — Robert M. Spear

*Assistant Examiner* — John A Voytek

(74) *Attorney, Agent, or Firm* — Banner & Witcoff, Ltd.

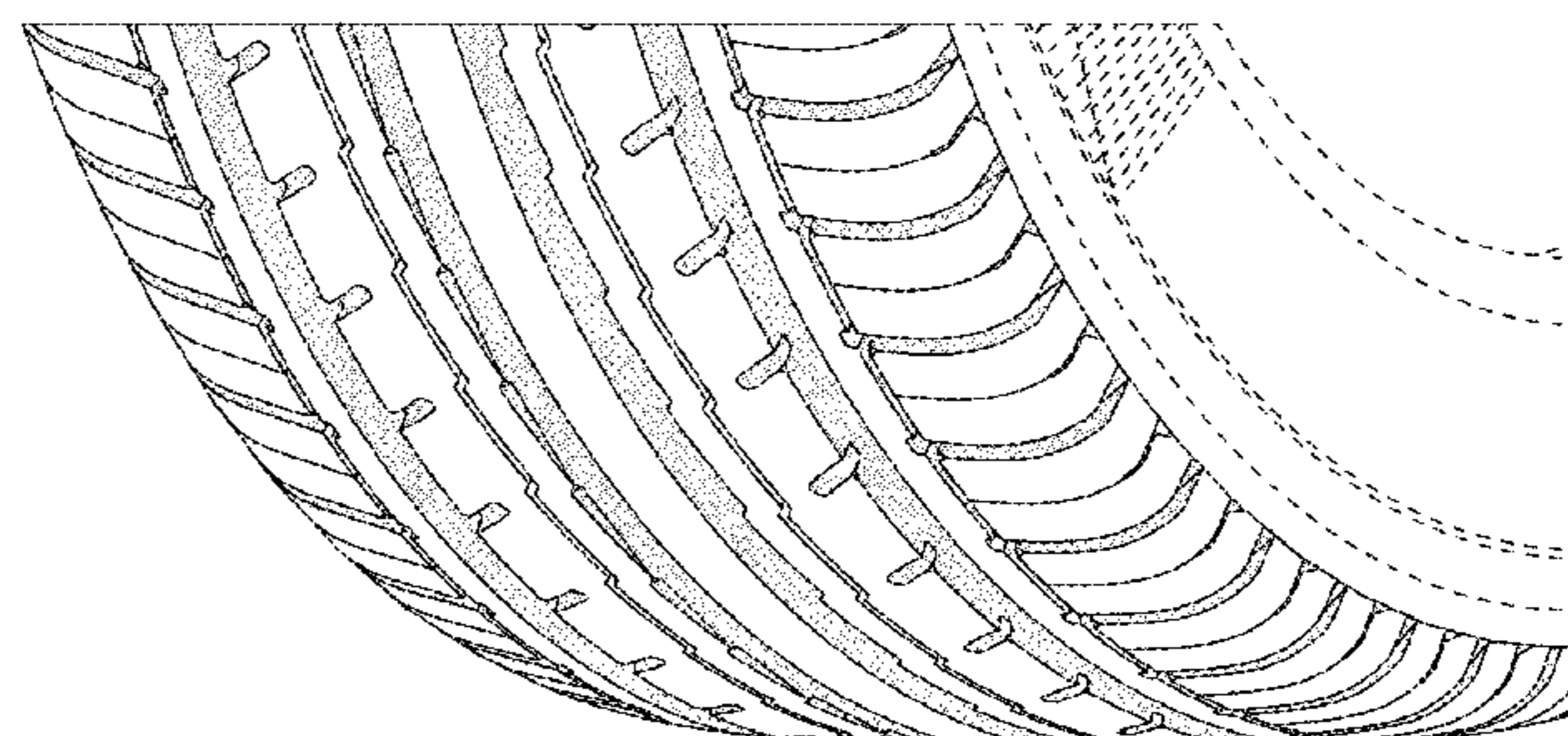
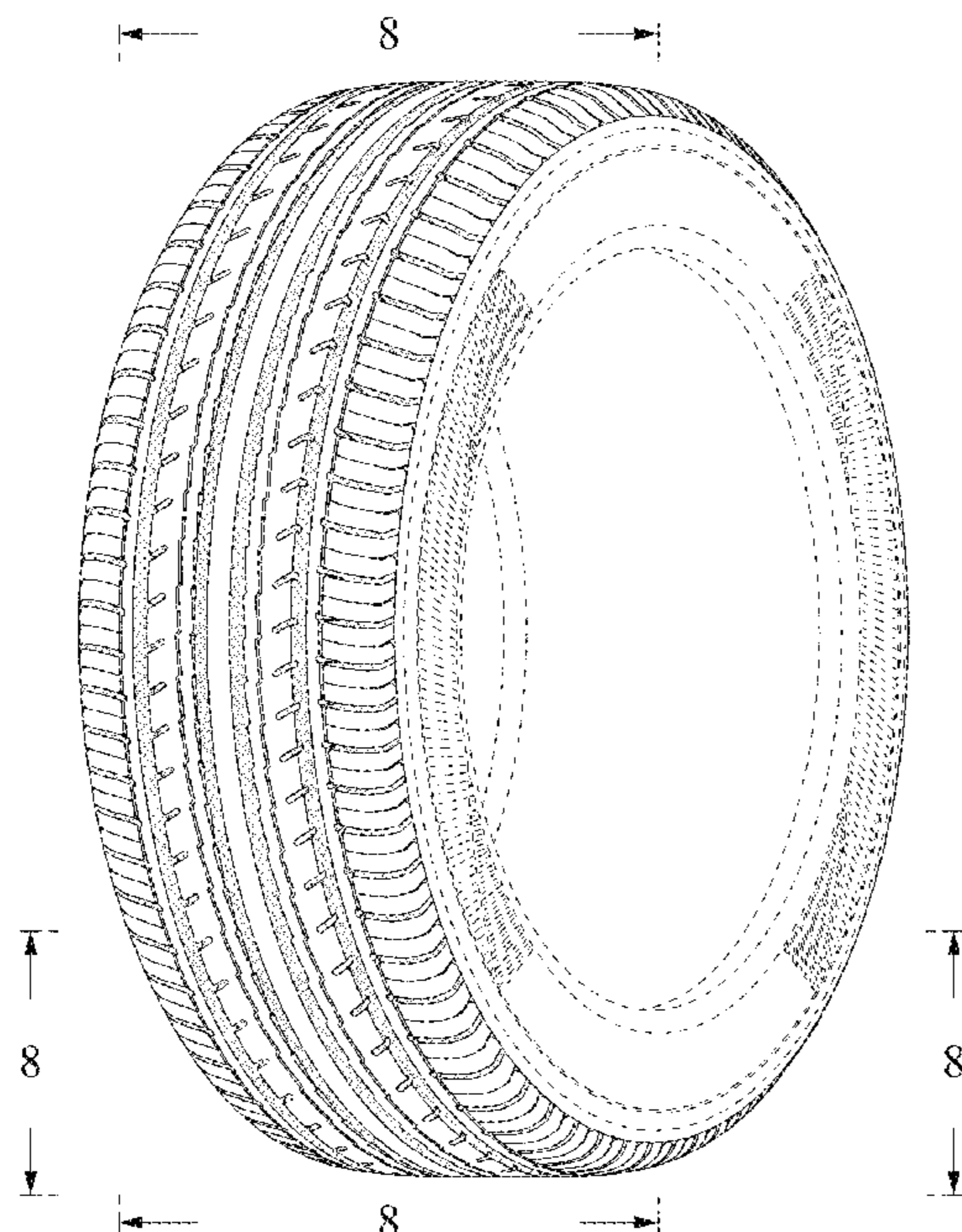
(57) **CLAIM**

The ornamental design for an automobile tire, as shown and described.

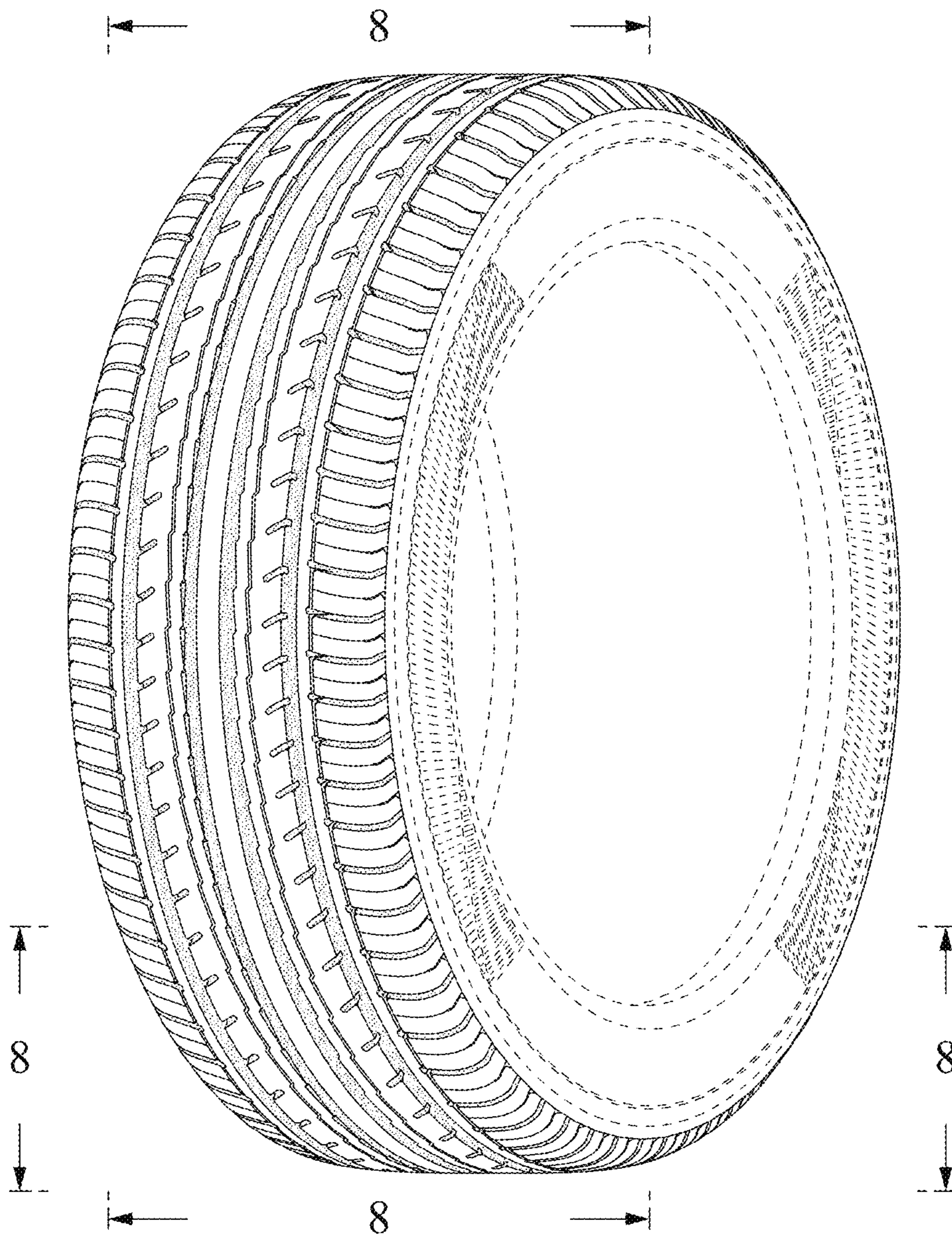
**DESCRIPTION**

FIG. 1 is a perspective view of an automobile tire showing our new design;  
 FIG. 2 is a front view thereof;  
 FIG. 3 is a rear view thereof;  
 FIG. 4 is a right side view thereof;  
 FIG. 5 is a left side view thereof;  
 FIG. 6 is a top view thereof;  
 FIG. 7 is a bottom view thereof;  
 FIG. 8 is a partially enlarged view of a portion defined by lines 8-8 shown in FIG. 1;  
 FIG. 9 is a partially enlarged view of a portion defined by lines 9-9 shown in FIG. 2; and,  
 FIG. 10 is a cross sectional view of a portion defined by lines 10-10 shown in FIG. 9.  
 In the drawings, the broken lines depict environmental subject matter only and form no part of the claimed design.

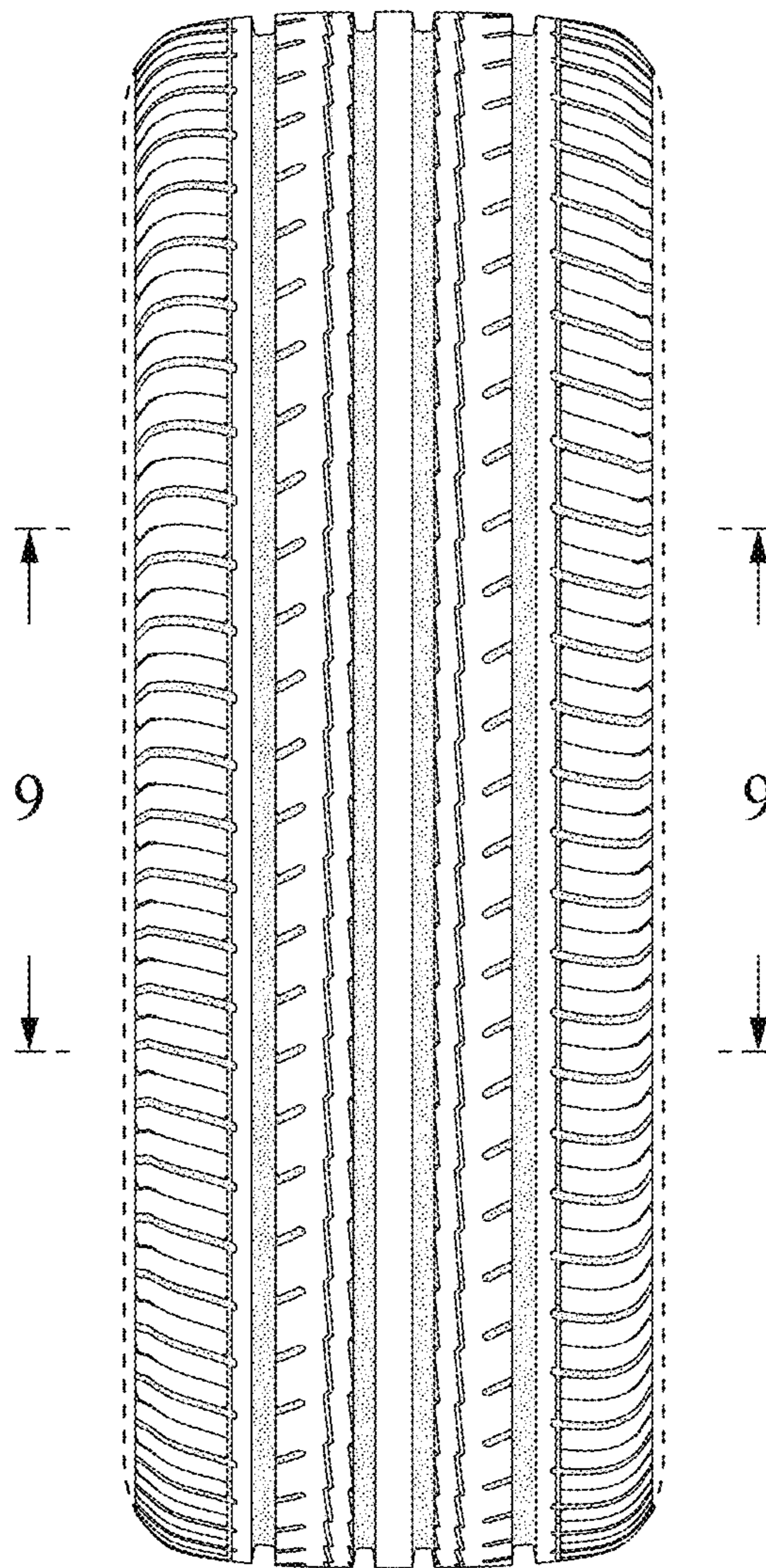
**1 Claim, 10 Drawing Sheets**



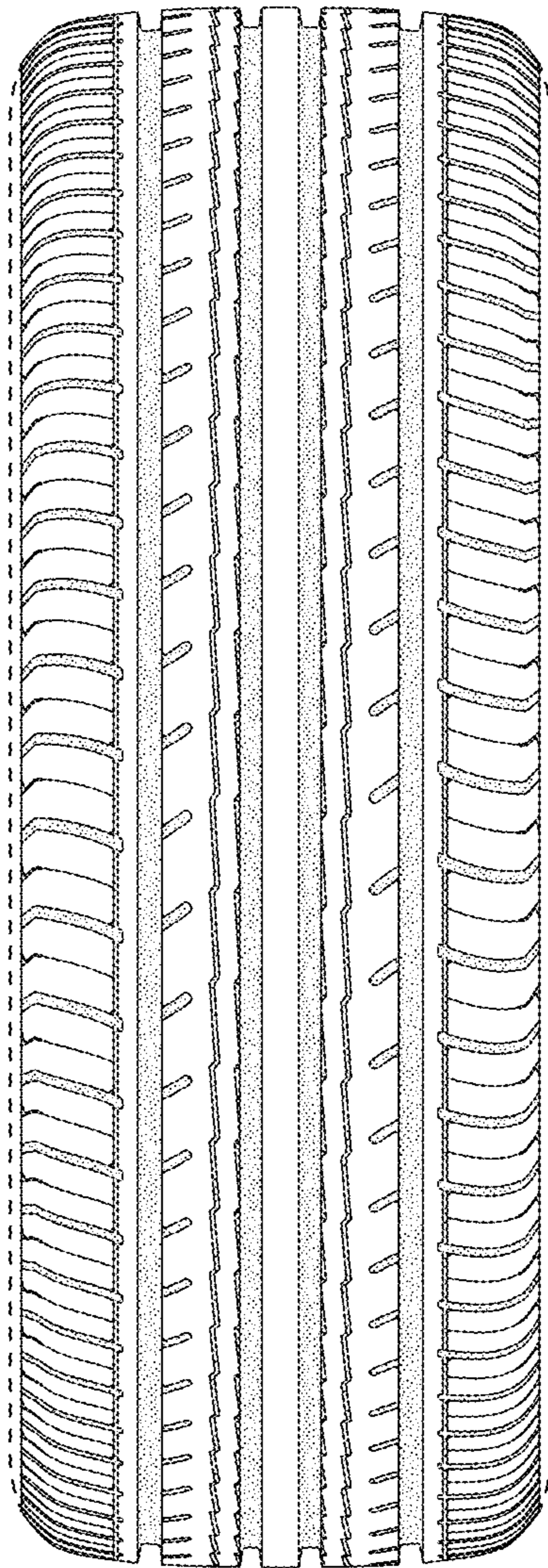
**FIG. 1**



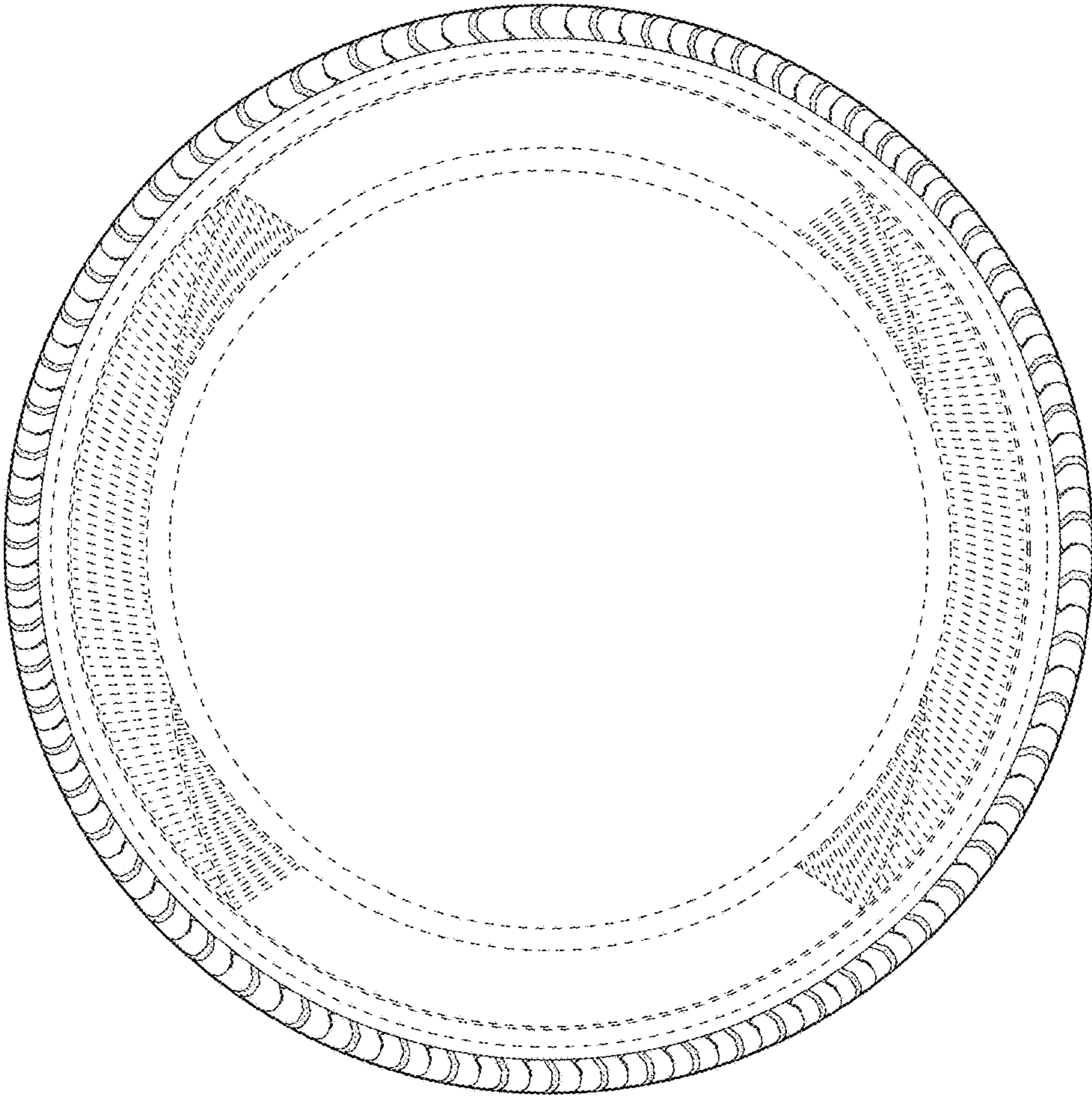
**FIG. 2**



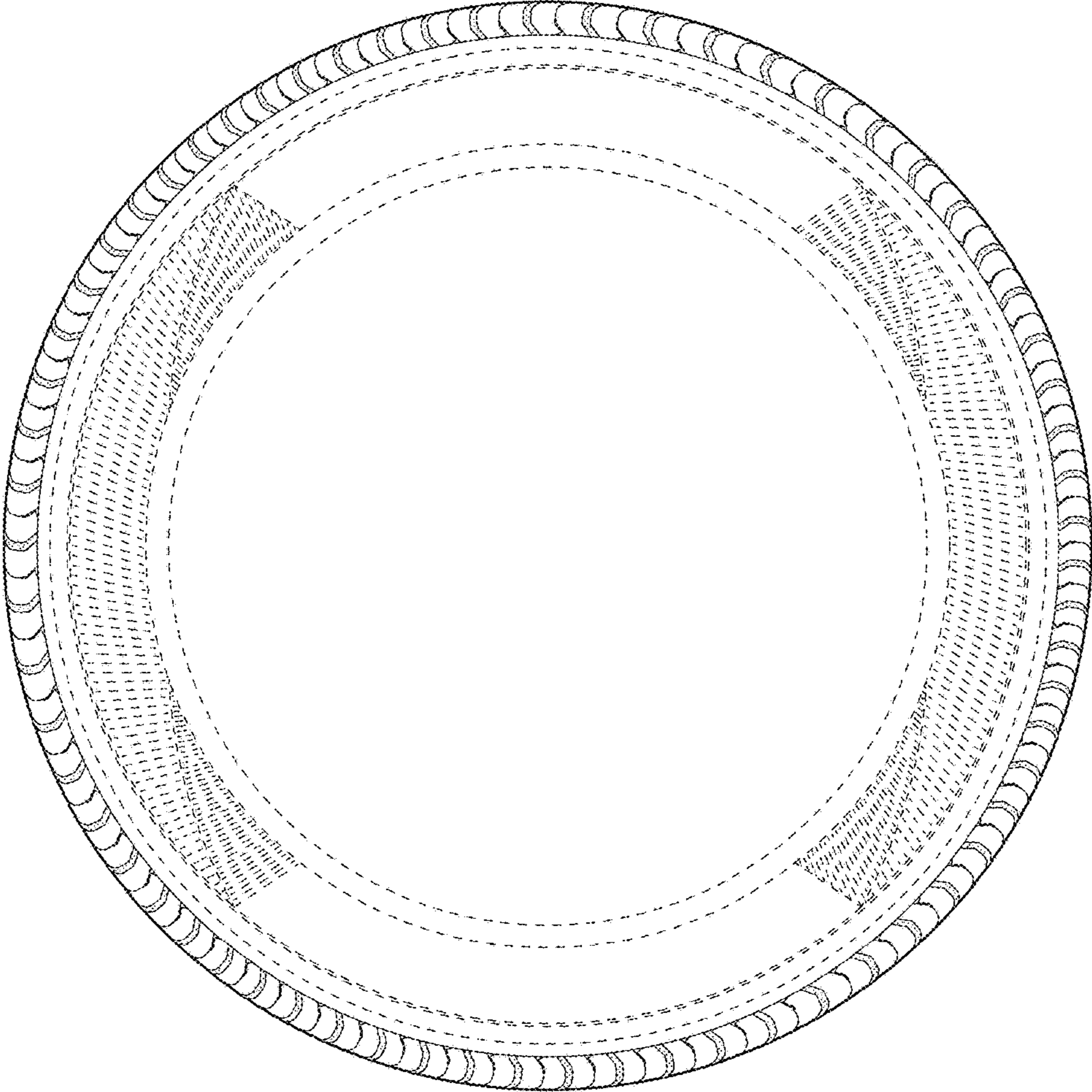
**FIG. 3**



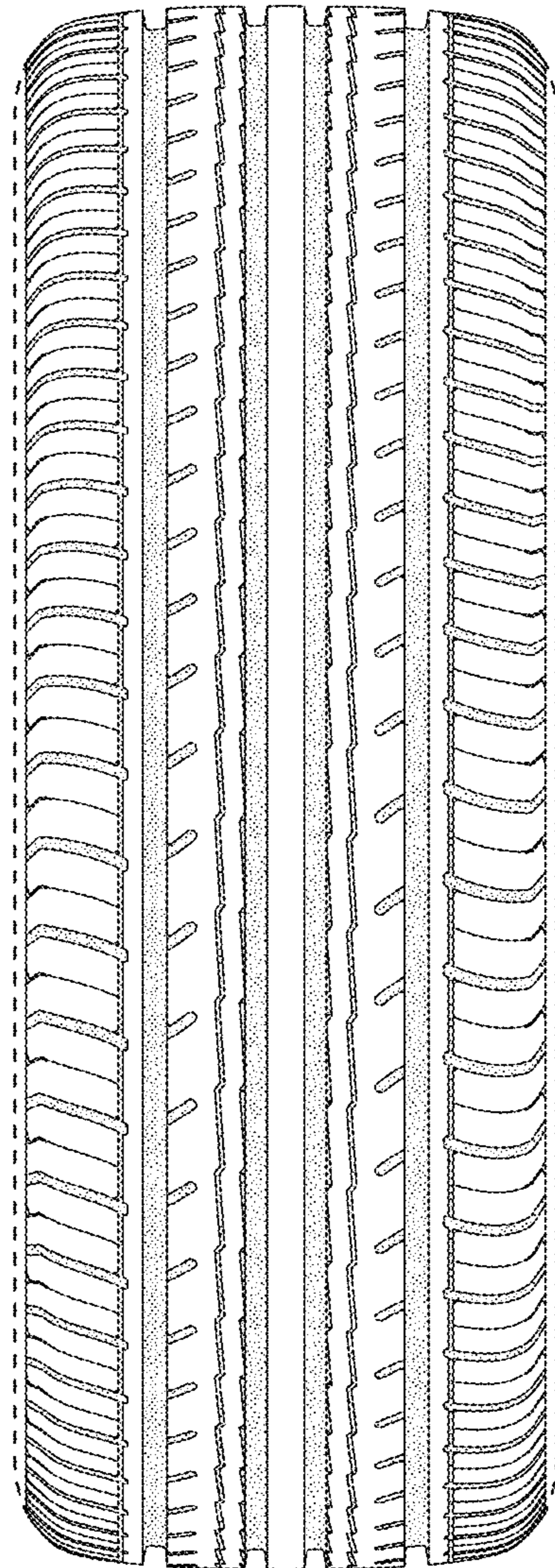
**FIG. 4**



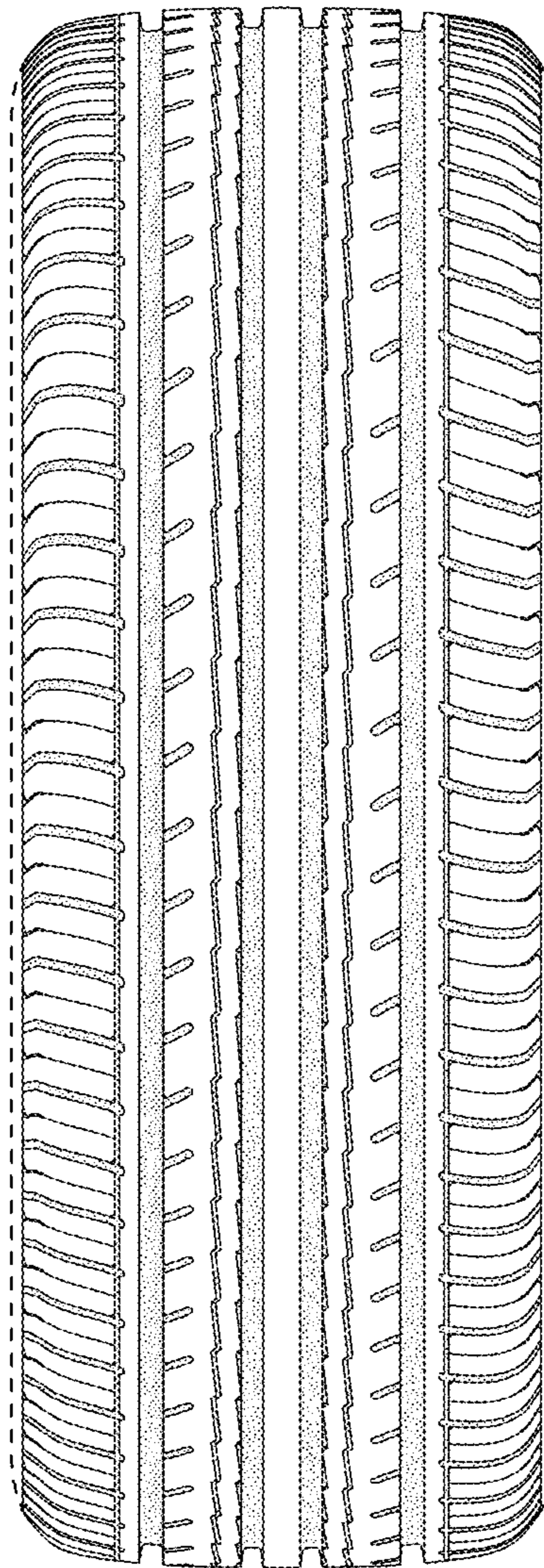
**FIG. 5**



**FIG. 6**



**FIG. 7**





**FIG. 8**

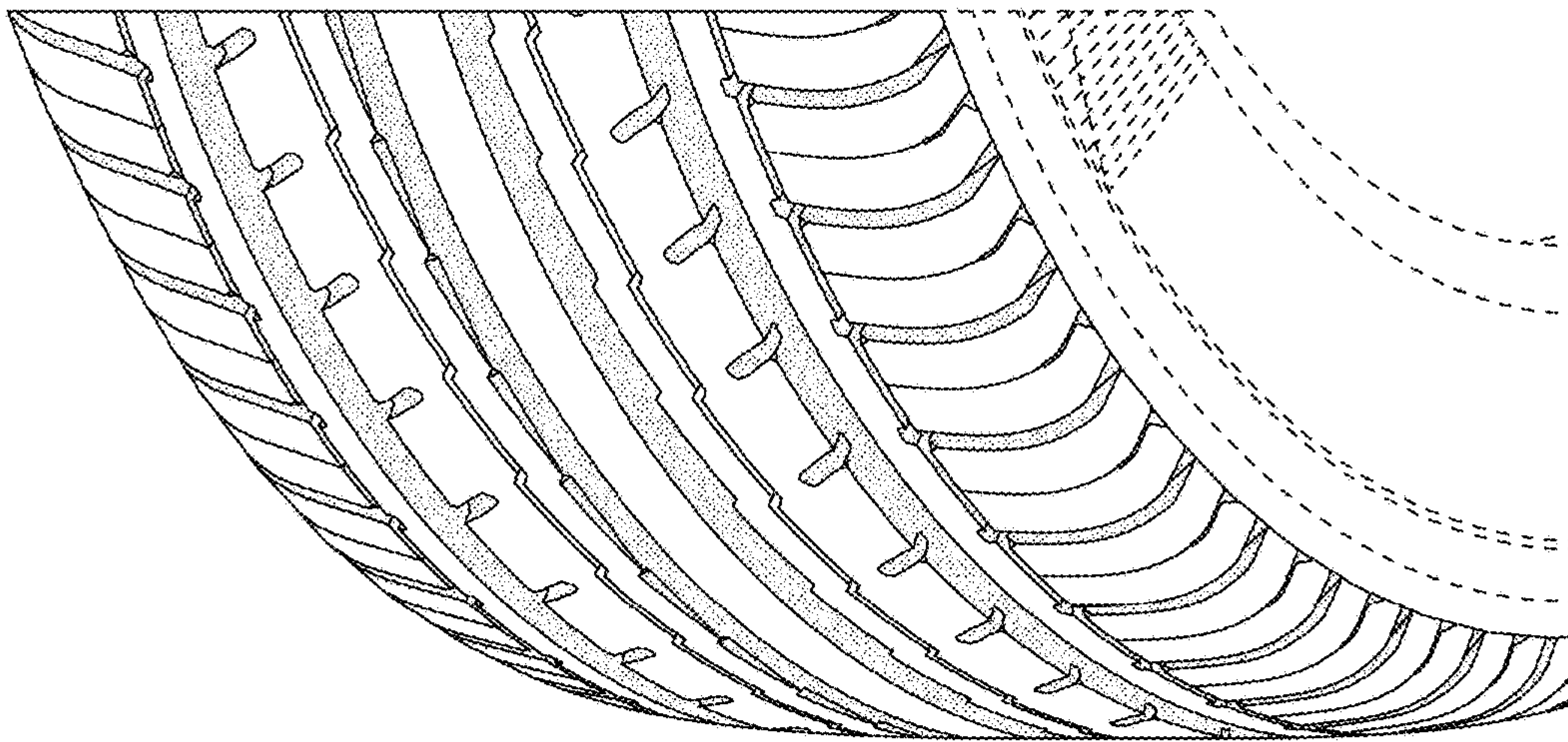
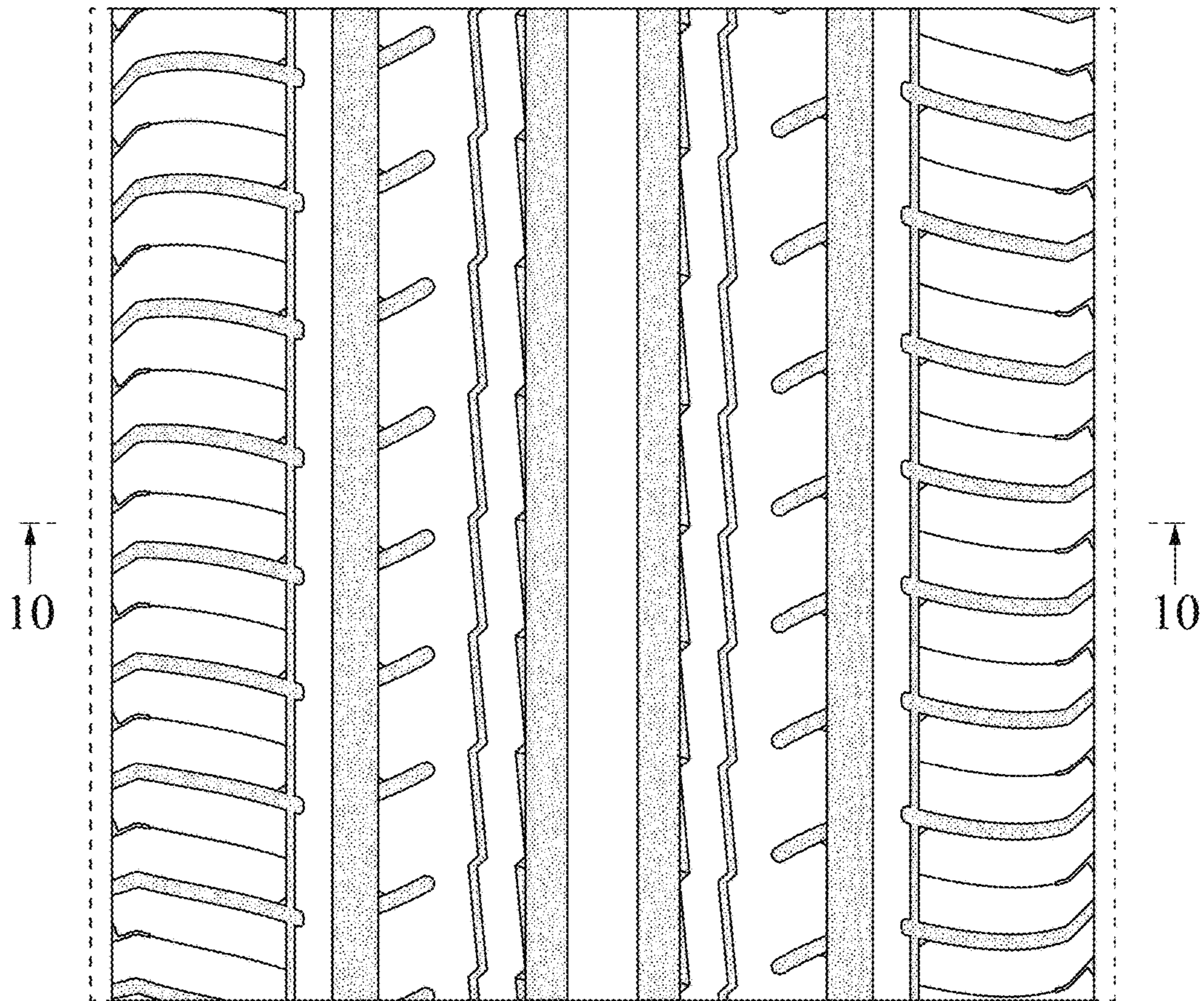


FIG. 9



**FIG. 10**

