



US00D818423S

(12) **United States Design Patent**
Yasuda

(10) **Patent No.:** **US D818,423 S**

(45) **Date of Patent:** **** May 22, 2018**

(54) **AUTOMOBILE TIRE**

D597,477 S * 8/2009 Ogawa D12/559
D735,639 S * 8/2015 Tian D12/536
D783,509 S * 4/2017 Scalas D12/567

(71) Applicant: **THE YOKOHAMA RUBBER CO., LTD.**, Minato-ku, Tokyo (JP)

* cited by examiner

(72) Inventor: **Ryuji Yasuda**, Hiratsuka (JP)

Primary Examiner — George D. Kirschbaum

(73) Assignee: **THE YOKOHAMA RUBBER CO., LTD.**, Minato-ku, Tokyo (JP)

Assistant Examiner — Joseph J Kukella

(74) *Attorney, Agent, or Firm* — Banner & Witcoff, Ltd.

(**) Term: **15 Years**

(57) **CLAIM**

(21) Appl. No.: **29/581,652**

The ornamental design for an automobile tire, as shown and described.

(22) Filed: **Oct. 20, 2016**

DESCRIPTION

(30) **Foreign Application Priority Data**

May 30, 2016 (JP) 2016-011441

(51) **LOC (11) Cl.** **12-15**

(52) **U.S. Cl.**
USPC **D12/549**

(58) **Field of Classification Search**
USPC D12/533-567
CPC B60C 11/0302; B60C 2011/0358; B60C 2011/0374

See application file for complete search history.

(56) **References Cited**

U.S. PATENT DOCUMENTS

D264,456 S * 5/1982 Ingley D12/536
D269,174 S * 5/1983 Ingley D12/545
D541,734 S * 5/2007 Yoshiya D12/539
D556,671 S * 12/2007 Nonaka D12/567
D586,727 S * 2/2009 Campana D12/545

FIG. 1 is a perspective view of an automobile tire showing my new design;

FIG. 2 is a front view thereof;

FIG. 3 is a rear view thereof;

FIG. 4 is a right side view thereof;

FIG. 5 is a left side view thereof;

FIG. 6 is a top view thereof;

FIG. 7 is a bottom view thereof;

FIG. 8 is a partially enlarged view of a portion defined by lines 8-8 shown in FIG. 1;

FIG. 9 is a partially enlarged view of a portion defined by lines 9-9 shown in FIG. 2; and,

FIG. 10 is a cross sectional view of a portion defined by lines 10-10 shown in FIG. 9.

In the drawings, the broken lines depict environmental subject matter only and form no part of the claimed design.

The dot and dashed lines represents a boundary between the claimed portion and the non-claimed portion.

1 Claim, 10 Drawing Sheets

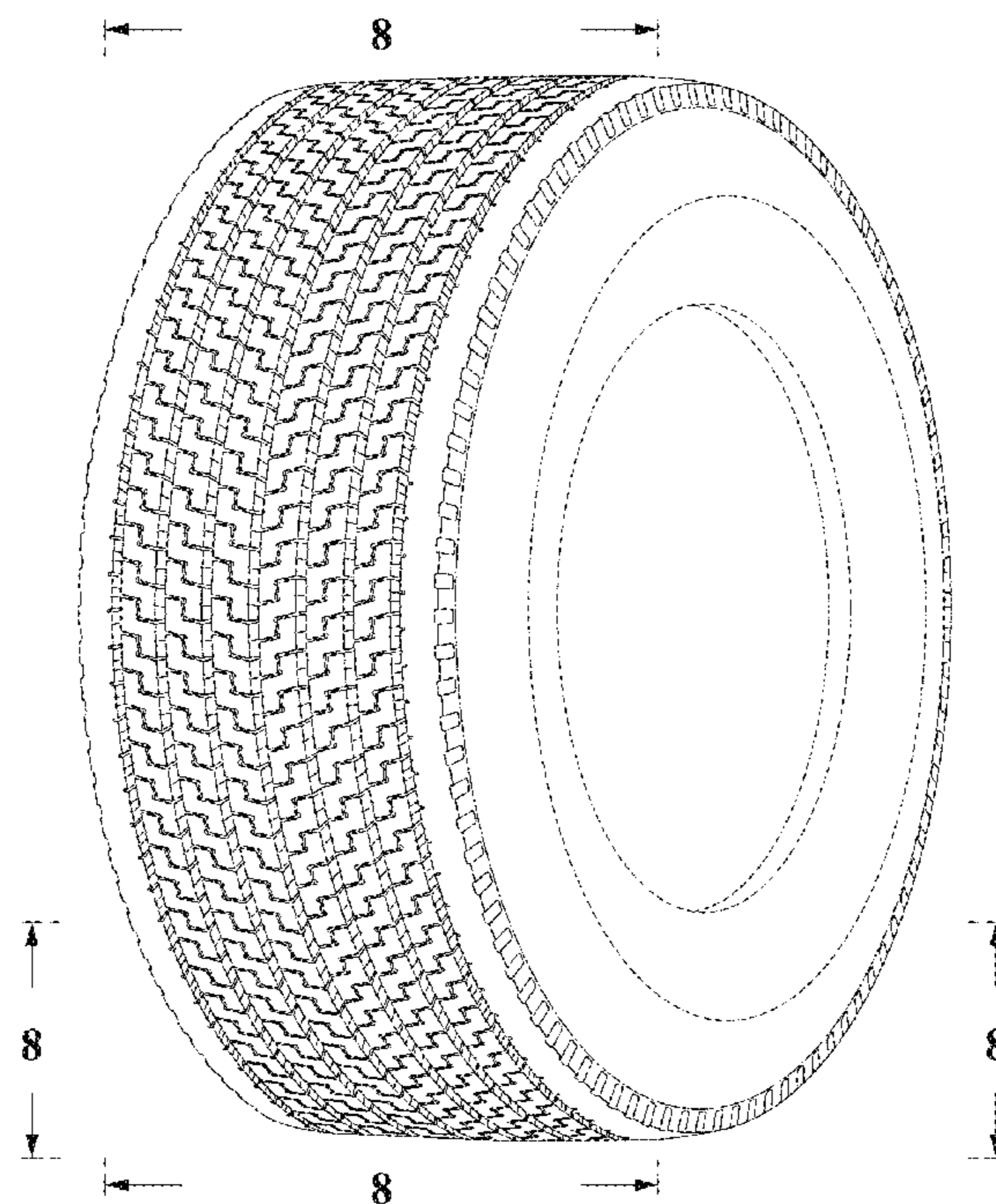


FIG. 1

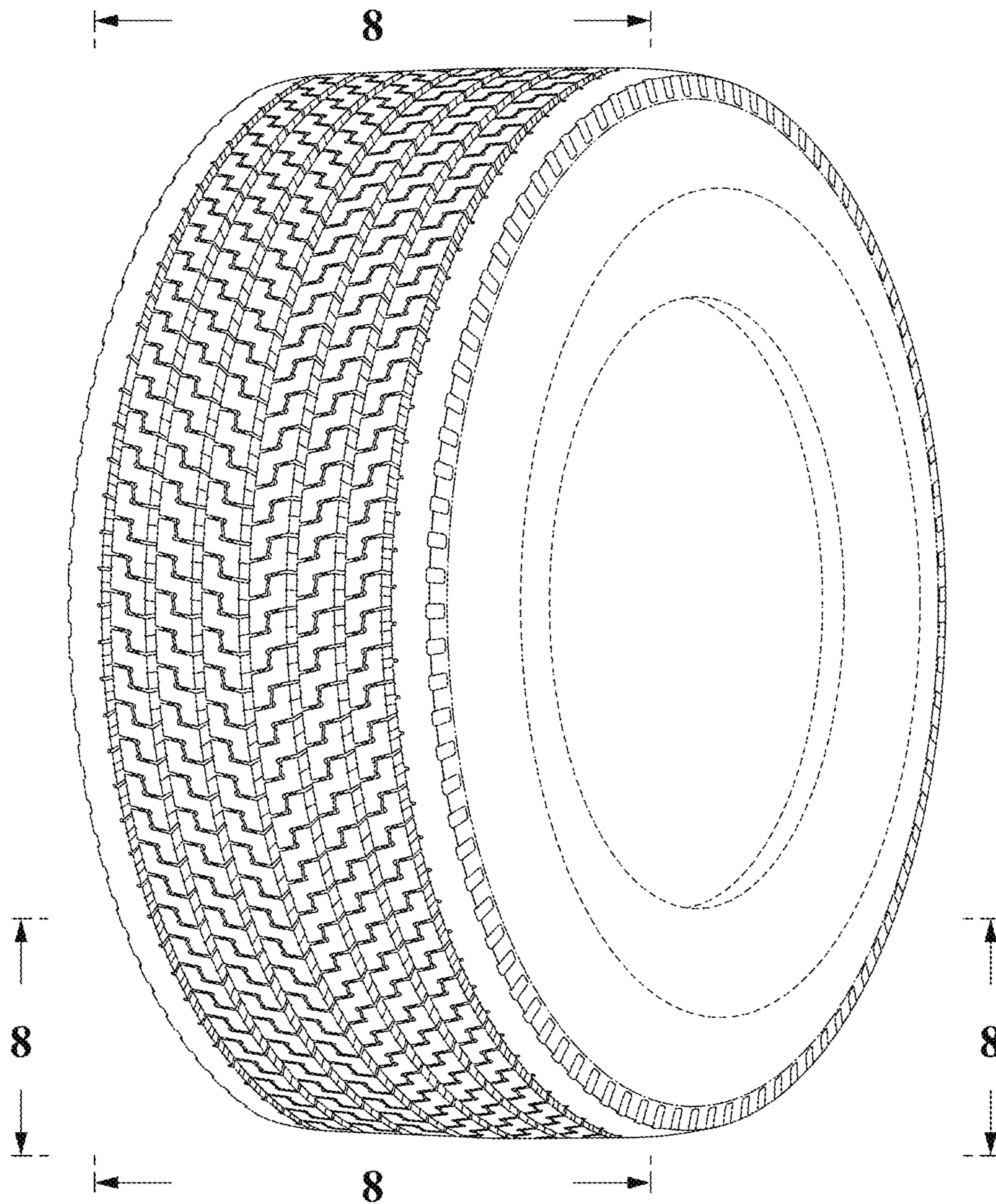


FIG. 2

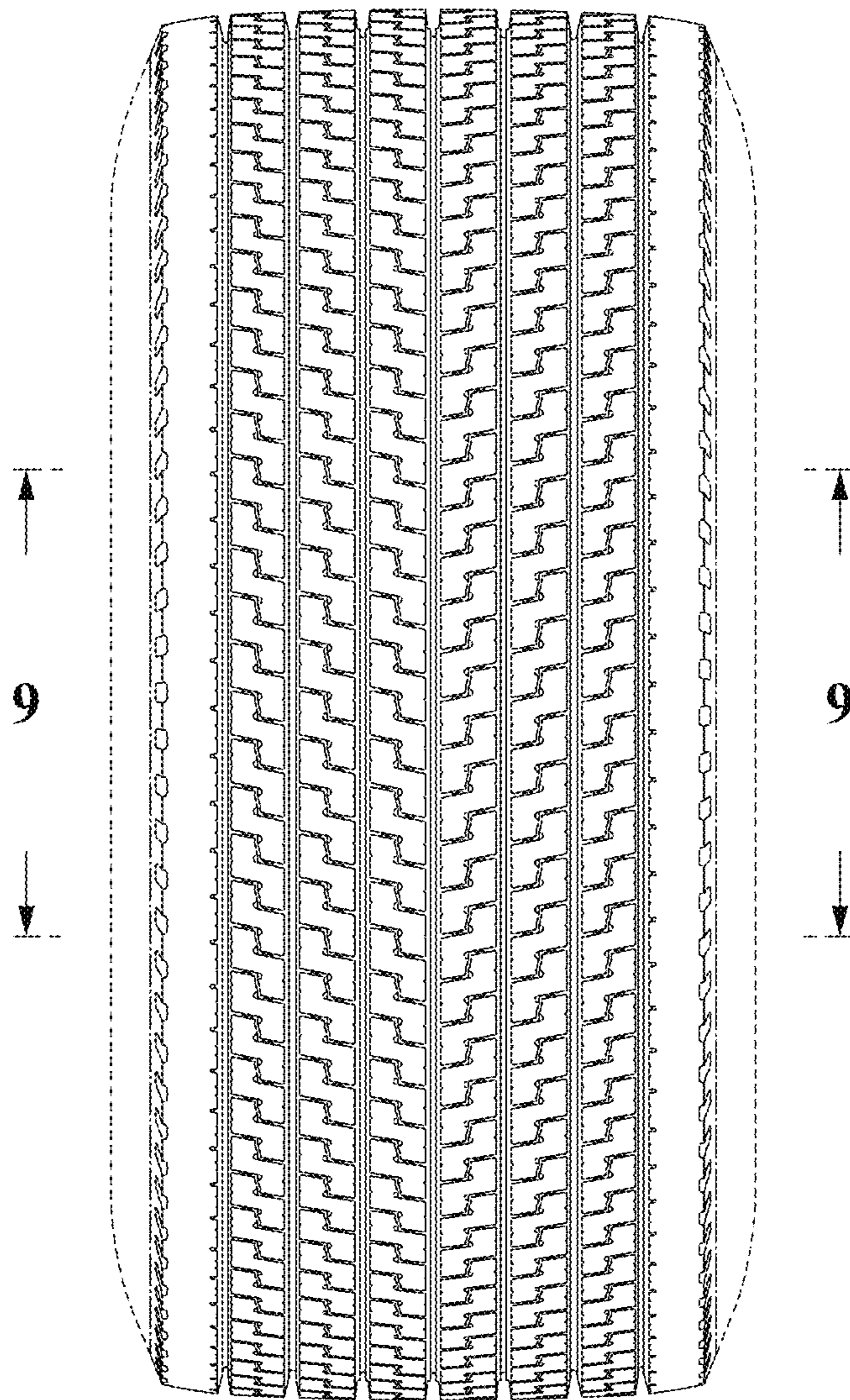


FIG. 3

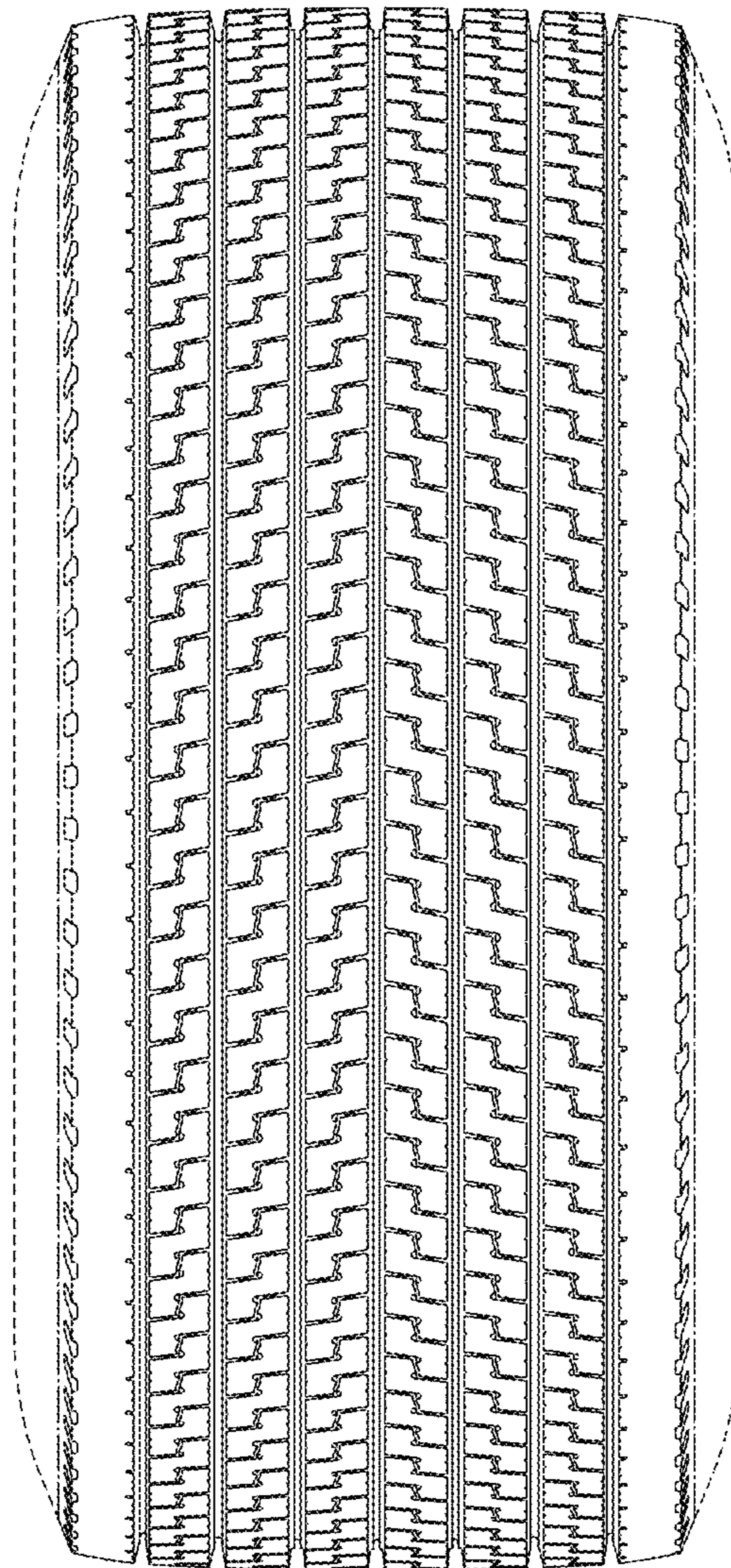


FIG. 4

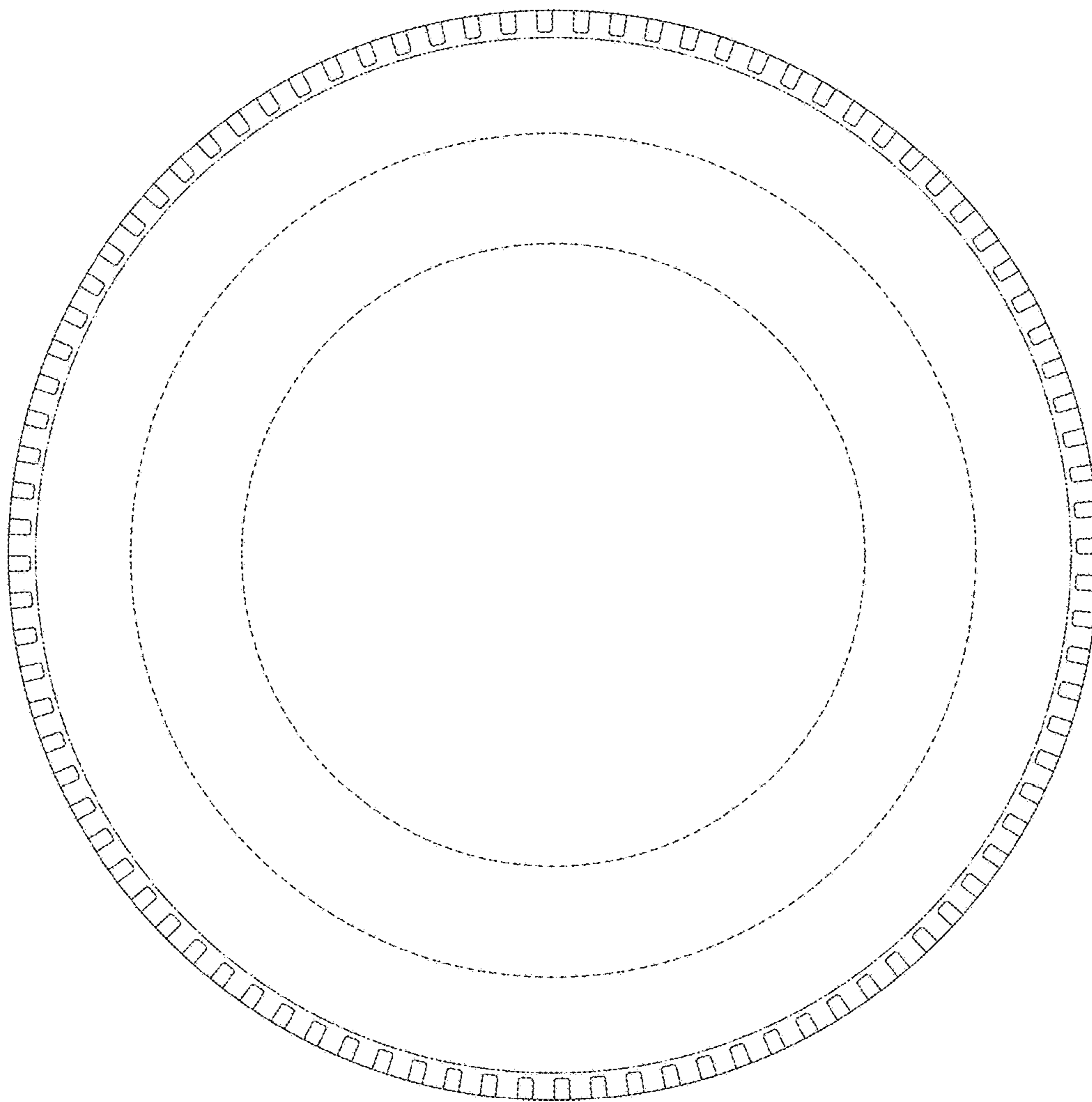


FIG. 5

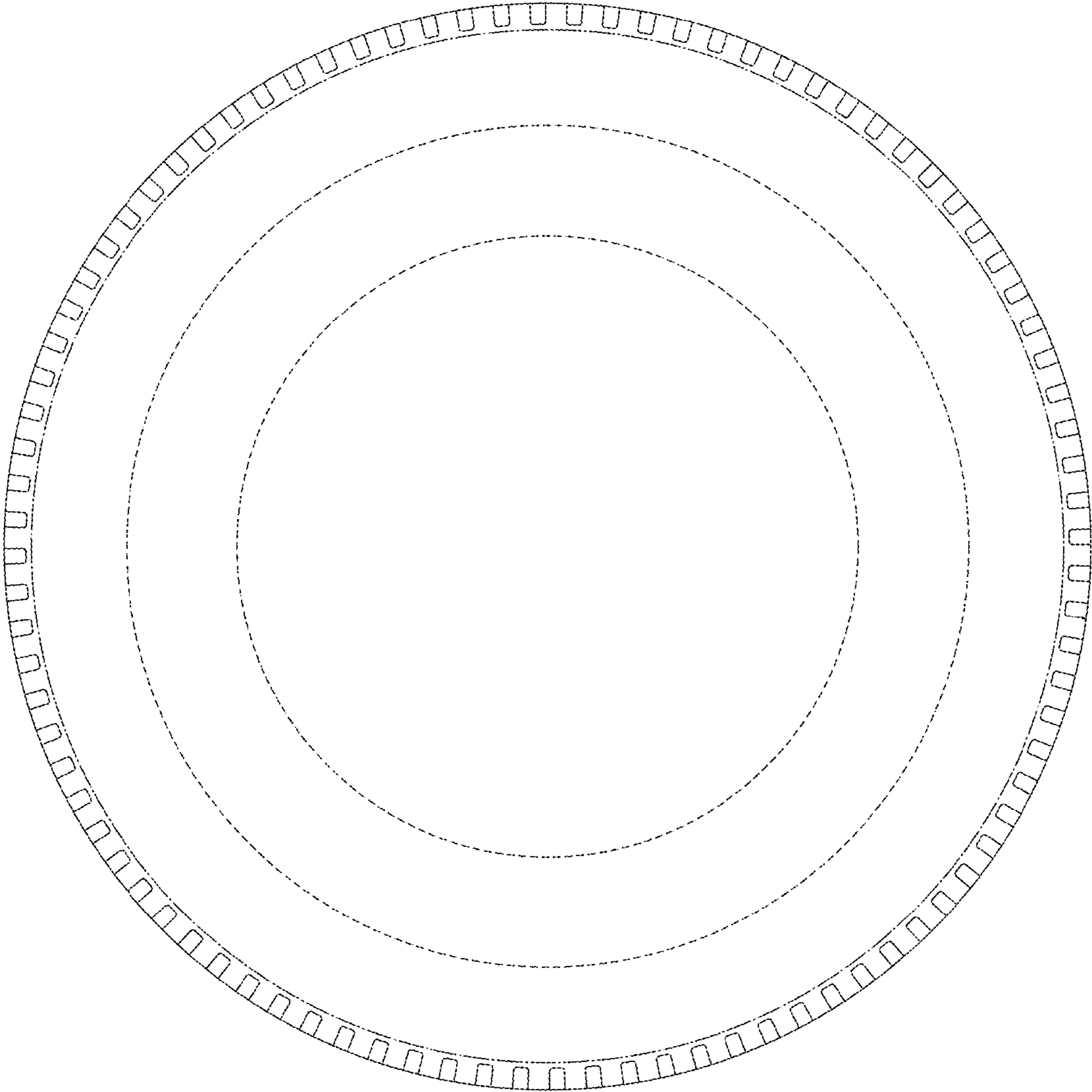


FIG. 6

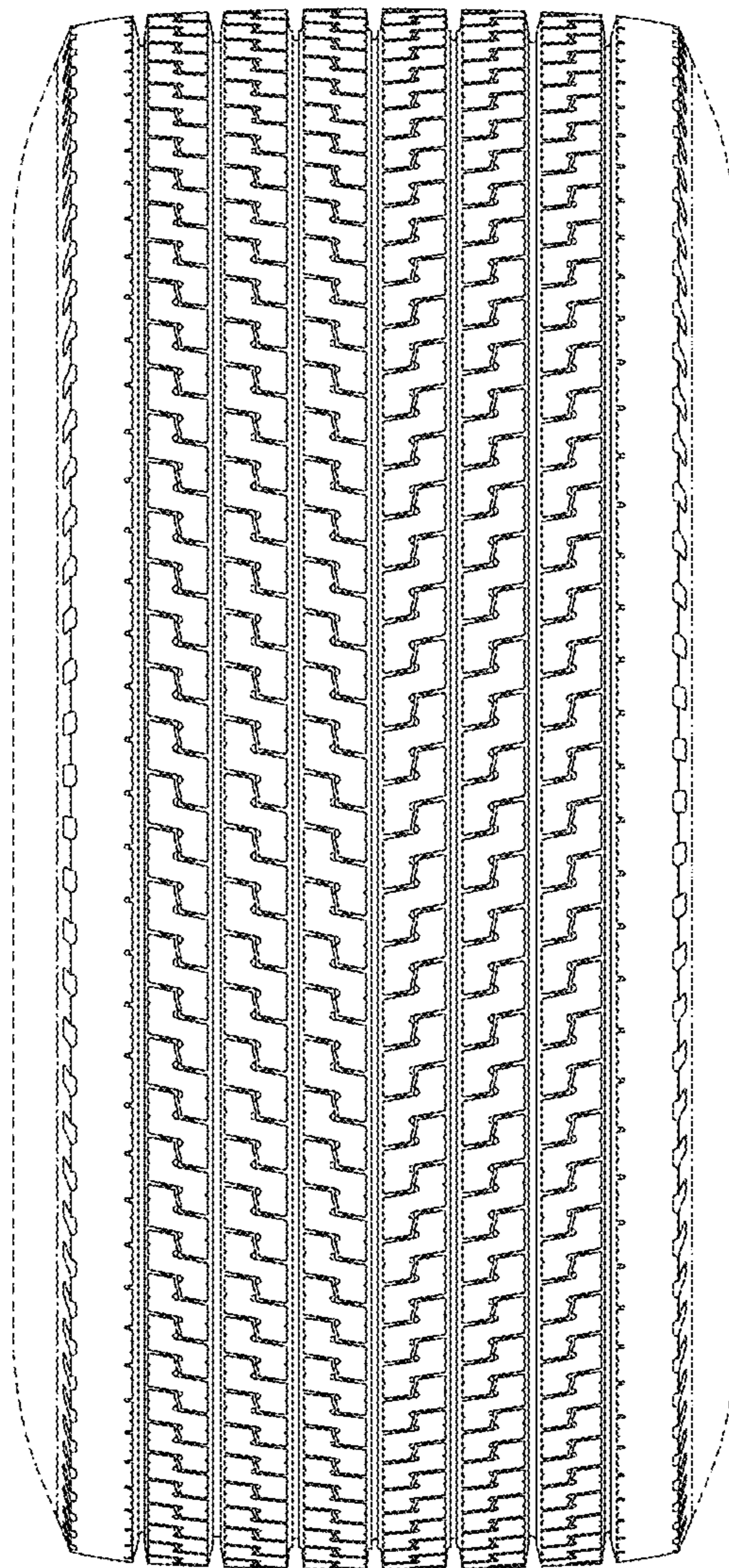


FIG. 7

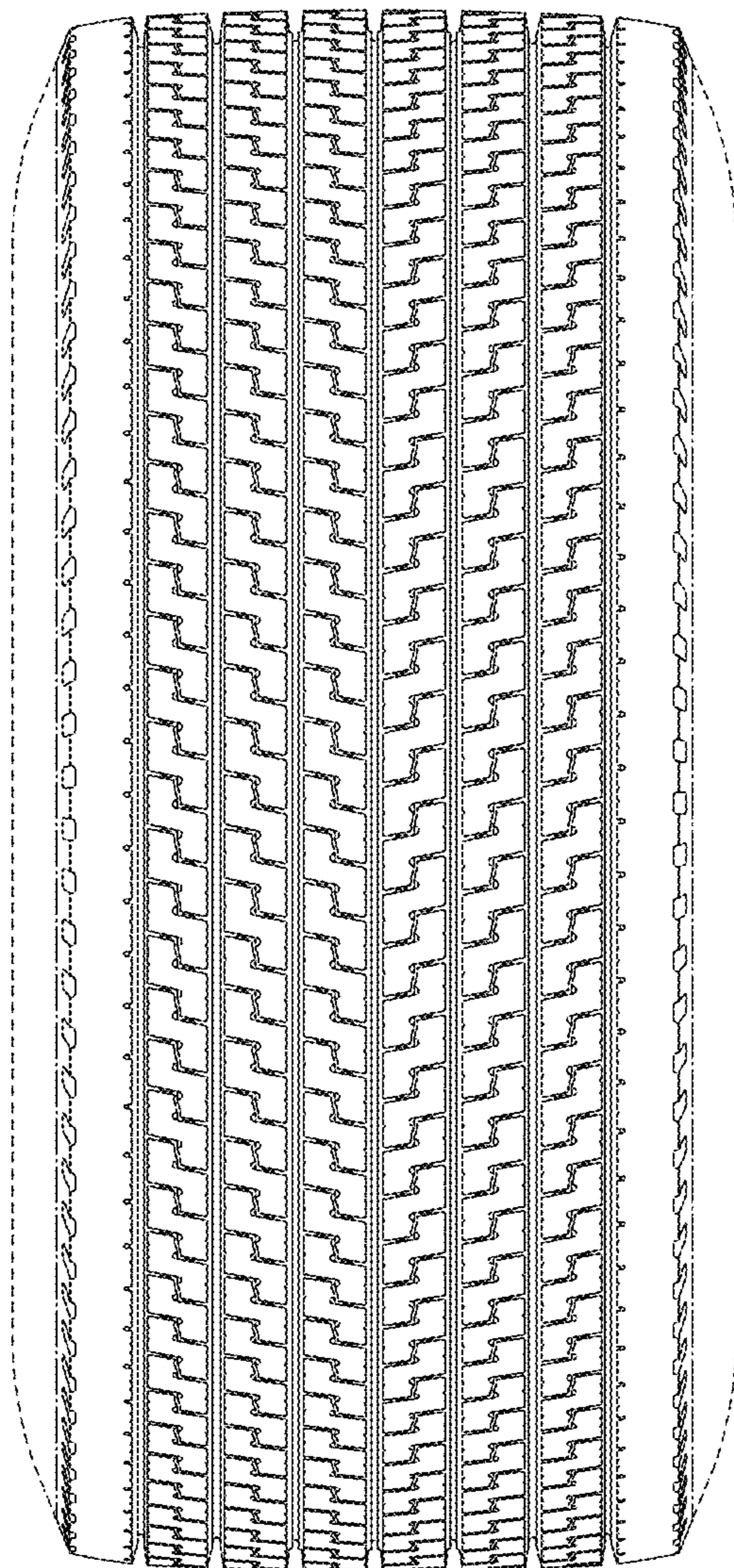


FIG. 8

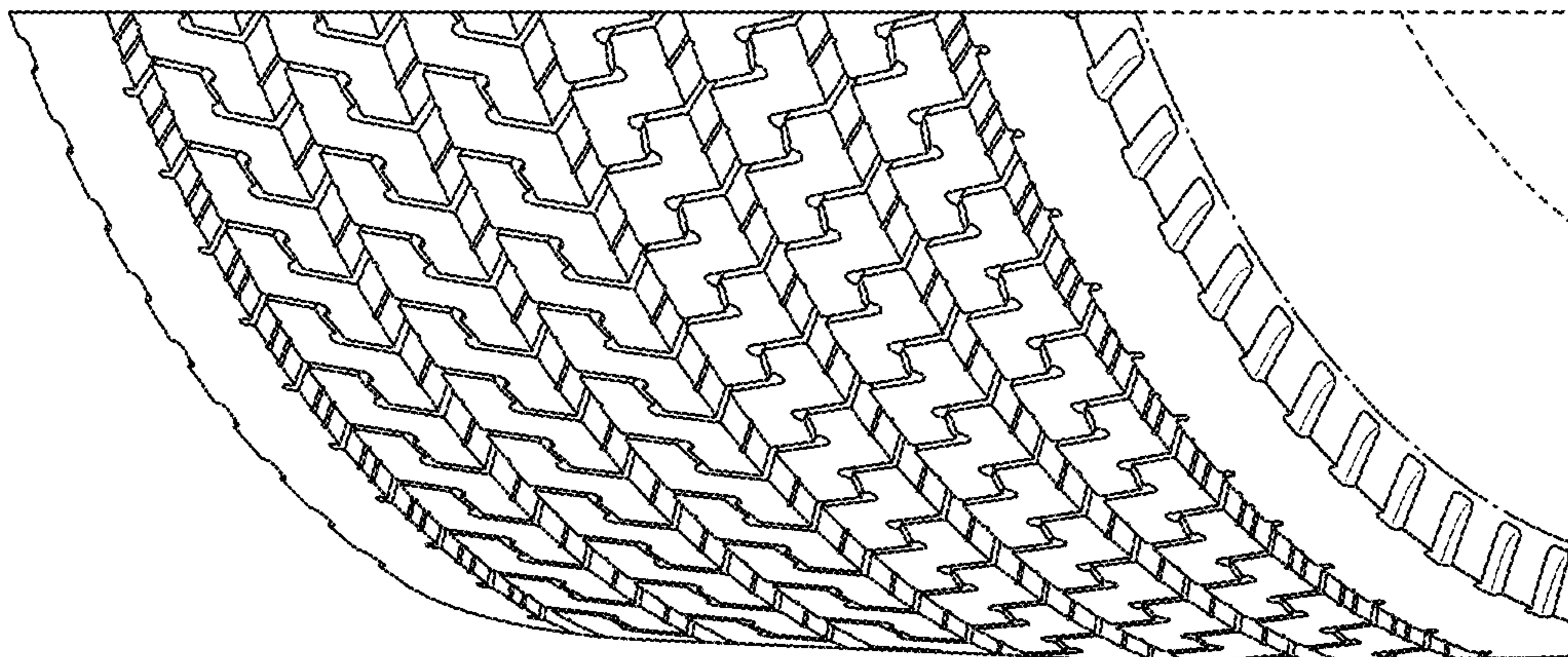


FIG. 9

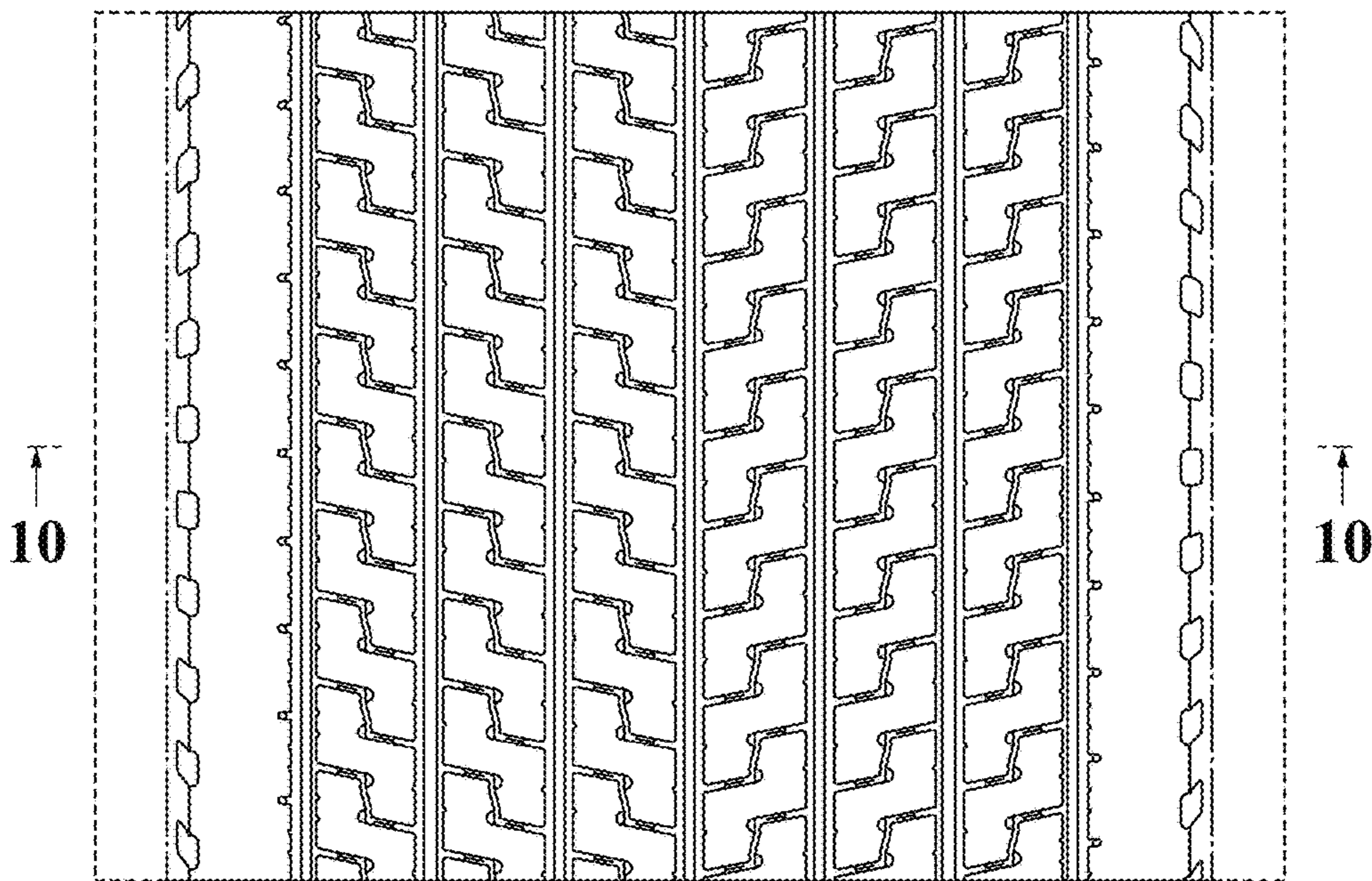


FIG. 10

