



US00D818421S

(12) **United States Design Patent** (10) **Patent No.:** **US D818,421 S**  
**Hu** (45) **Date of Patent:** **\*\* May 22, 2018**

(54) **CAR MOBILE PHONE HOLDER**

FOREIGN PATENT DOCUMENTS

(71) Applicant: **MPOW TECHNOLOGY CO., LIMITED**, Hong Kong (HK)

CN 304438100 1/2018

\* cited by examiner

(72) Inventor: **Zaihui Hu**, Shenzhen (CN)

*Primary Examiner* — Katrina A Betton

(73) Assignee: **MPOW TECHNOLOGY CO., LIMITED**, Hong Kong (HK)

(74) *Attorney, Agent, or Firm* — JCIPRNET

(\*\*) Term: **15 Years**

(57) **CLAIM**

The ornamental design for a car mobile phone holder, as shown and described.

(21) Appl. No.: **29/637,086**

(22) Filed: **Feb. 13, 2018**

**DESCRIPTION**

(51) **LOC (11) Cl.** ..... **12-16**

(52) **U.S. Cl.**

USPC ..... **D12/415**

(58) **Field of Classification Search**

USPC ..... D12/415-42, 400, 191, 423; D6/513, D6/514, 611, 553, 556, 559; D14/253

CPC ..... B60R 11/02; B60R 2011/0005

See application file for complete search history.

FIG. 1 is a perspective view of a car mobile phone holder showing a first embodiment of my new design;

FIG. 2 is a front view thereof;

FIG. 3 is a rear view thereof;

FIG. 4 is a left side view thereof;

FIG. 5 is a right side view thereof;

FIG. 6 is a top view thereof;

FIG. 7 is a bottom view thereof;

FIG. 8 is a perspective view of with the arm extended;

FIG. 9 is a perspective view of a car mobile phone holder showing a second embodiment of my new design;

FIG. 10 is a front view thereof;

FIG. 11 is a rear view thereof;

FIG. 12 is a left side view thereof;

FIG. 13 is a right side view thereof;

FIG. 14 is a top view thereof;

FIG. 15 is a bottom view thereof; and,

FIG. 16 is another perspective view thereof with a magnetic head mounted.

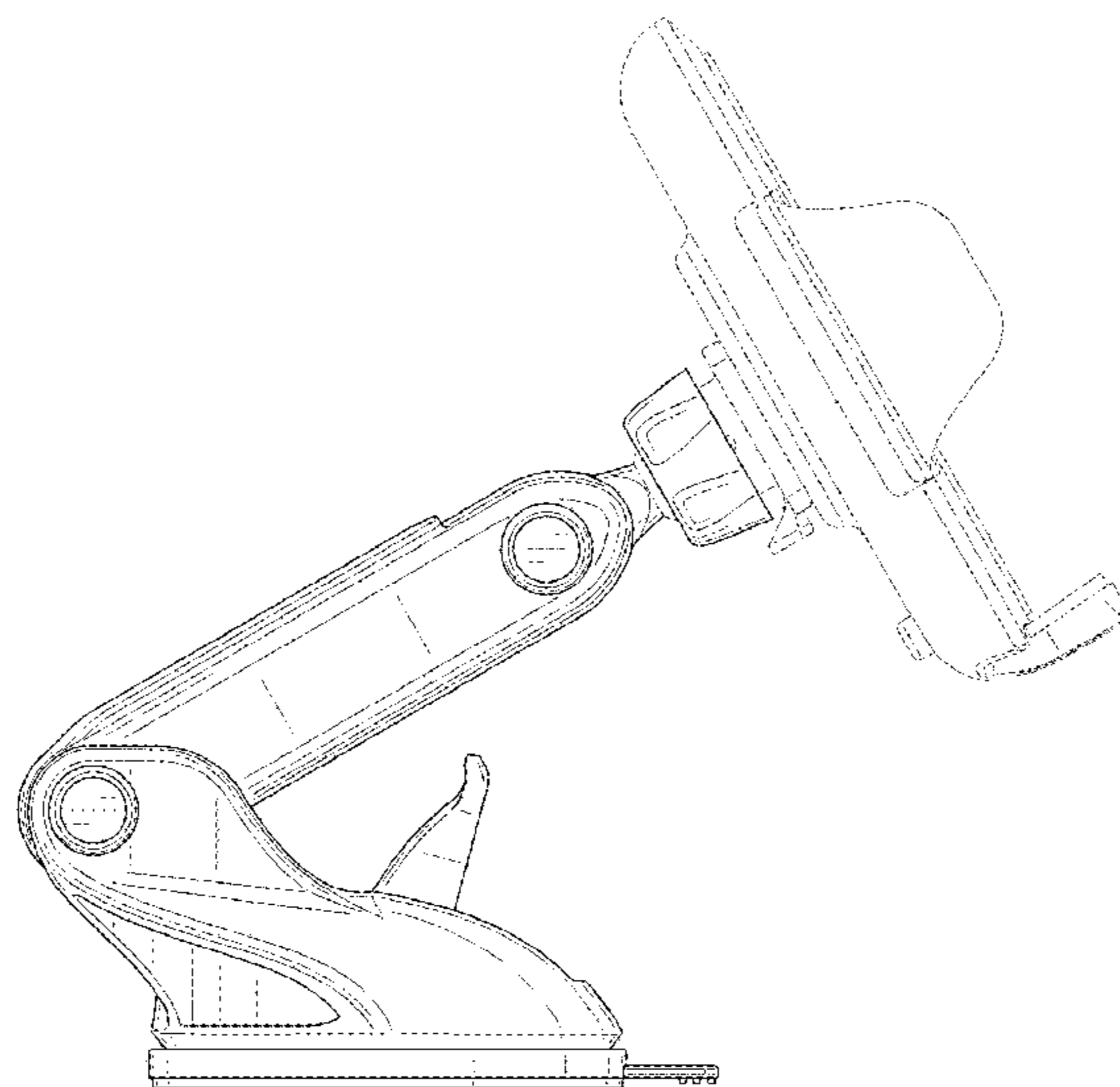
The dashed broken lines illustrate portions of the car mobile phone holder and form no part of the claimed design. The dot-dash broken lines in FIG. 16 illustrate the magnetic head and form no part of the claimed design.

(56) **References Cited**

U.S. PATENT DOCUMENTS

D733,116 S	6/2015	Aspinall et al.	
D767,556 S *	9/2016	Lee	D12/415
D783,014 S *	4/2017	Chun	D14/253
D796,421 S *	9/2017	Huang	D12/415
D799,448 S *	10/2017	Zheng	D14/217
D803,208 S *	11/2017	Cai	D14/253
D805,021 S *	12/2017	Cunningham	D12/415
2014/0103087 A1 *	4/2014	Fan	B60R 11/02 224/544
2015/0028075 A1 *	1/2015	Khatchatrian	B60R 11/02 224/483
2015/0189055 A1 *	7/2015	An	H04M 1/11 455/573
2017/0080877 A1 *	3/2017	Boas	B60R 11/0241
2018/0001835 A1 *	1/2018	Corso	B60R 11/0241

**1 Claim, 11 Drawing Sheets**



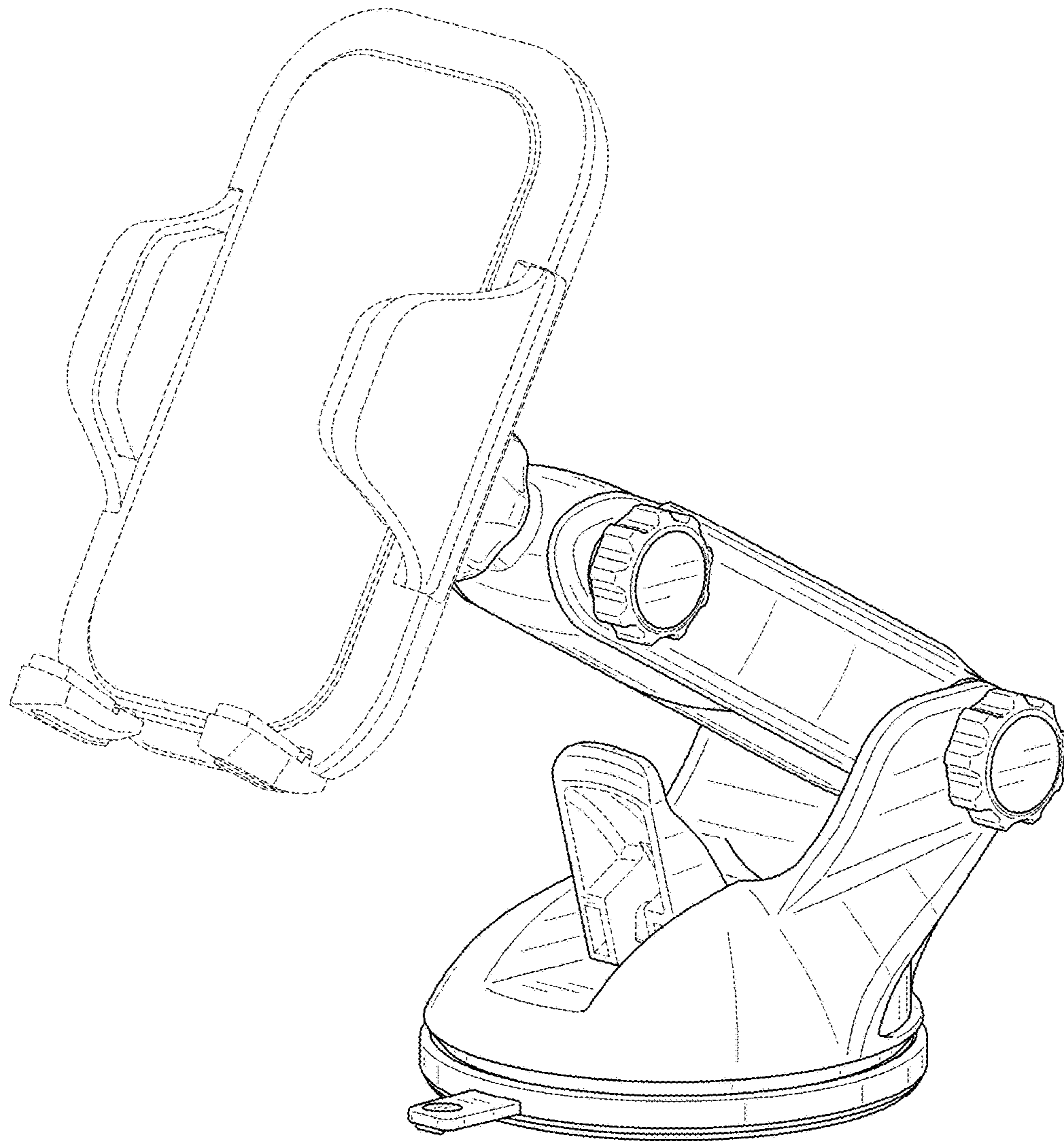


FIG. 1

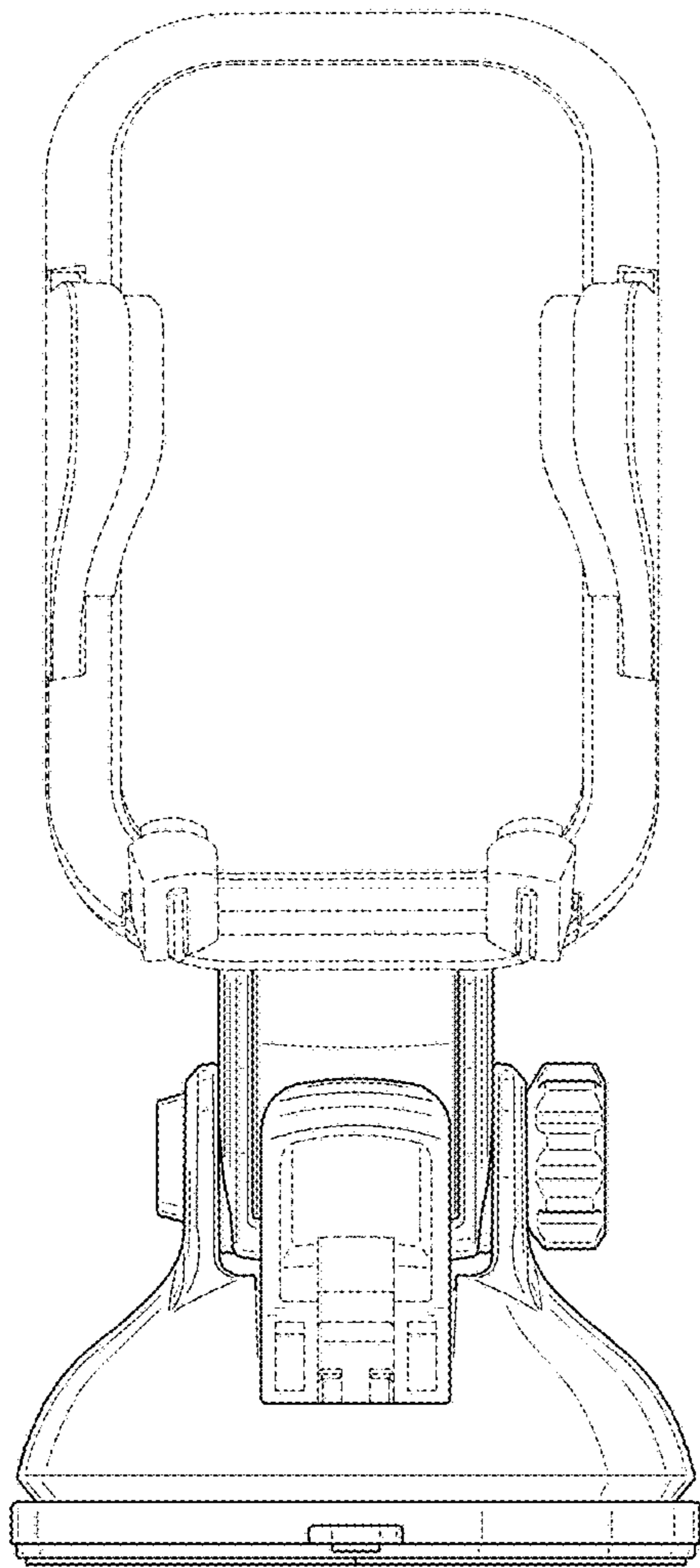


FIG. 2

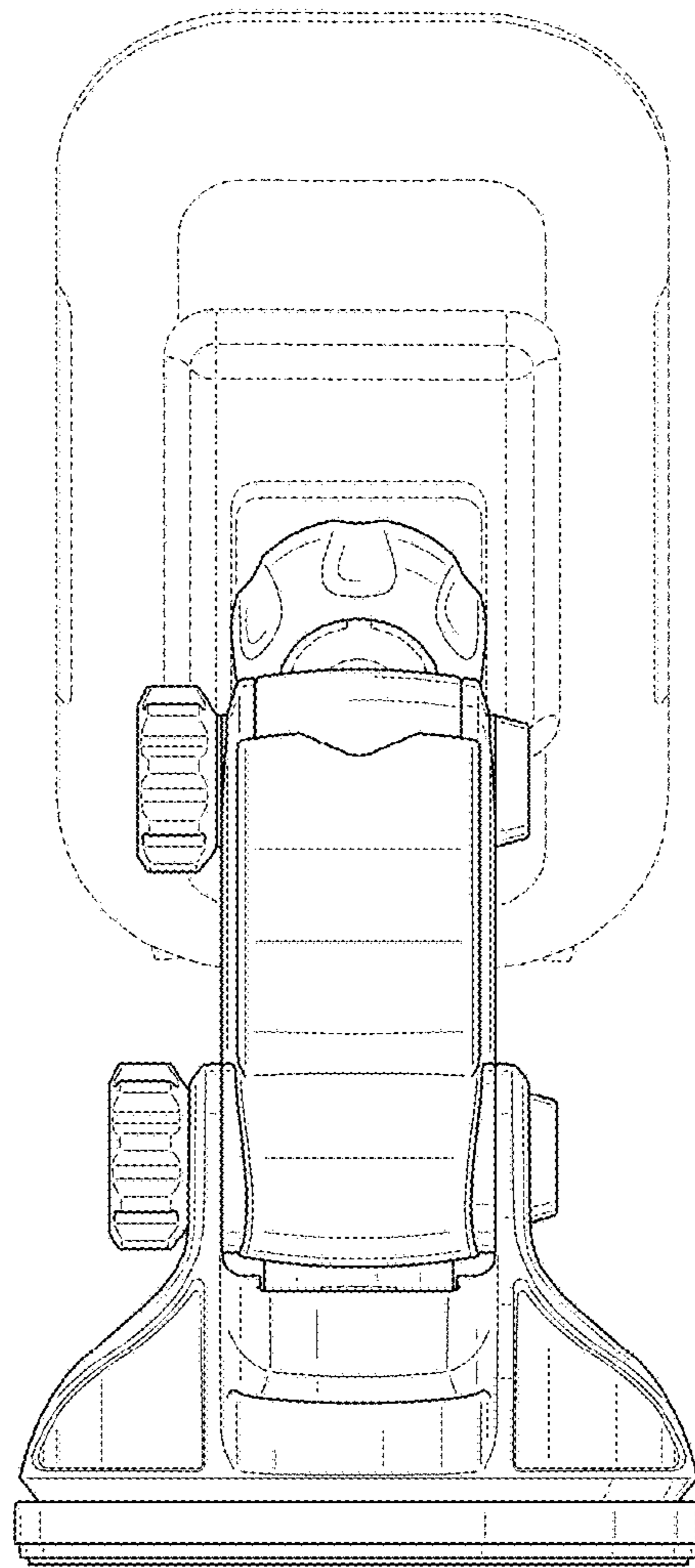


FIG. 3

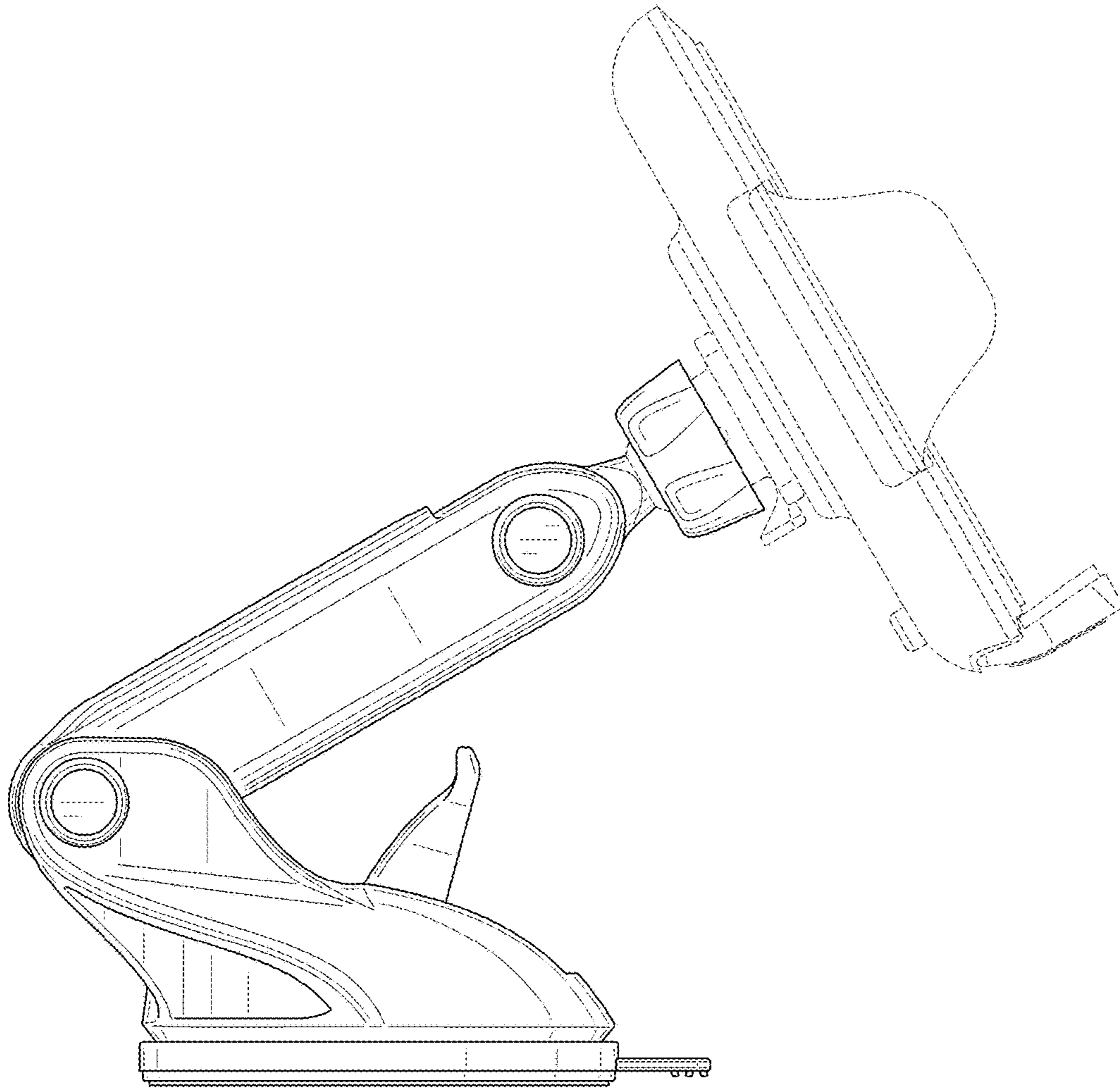


FIG. 4

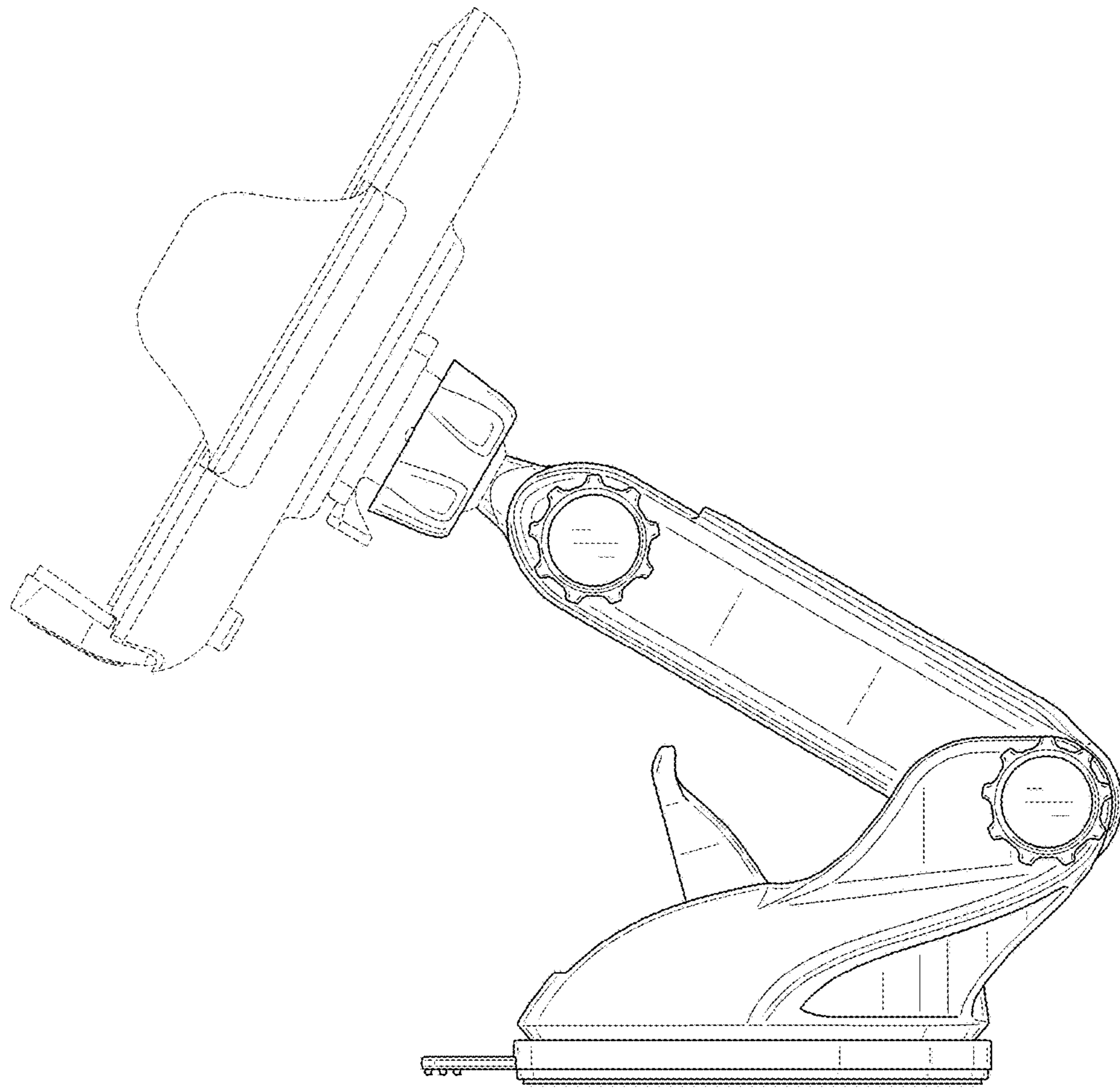


FIG. 5

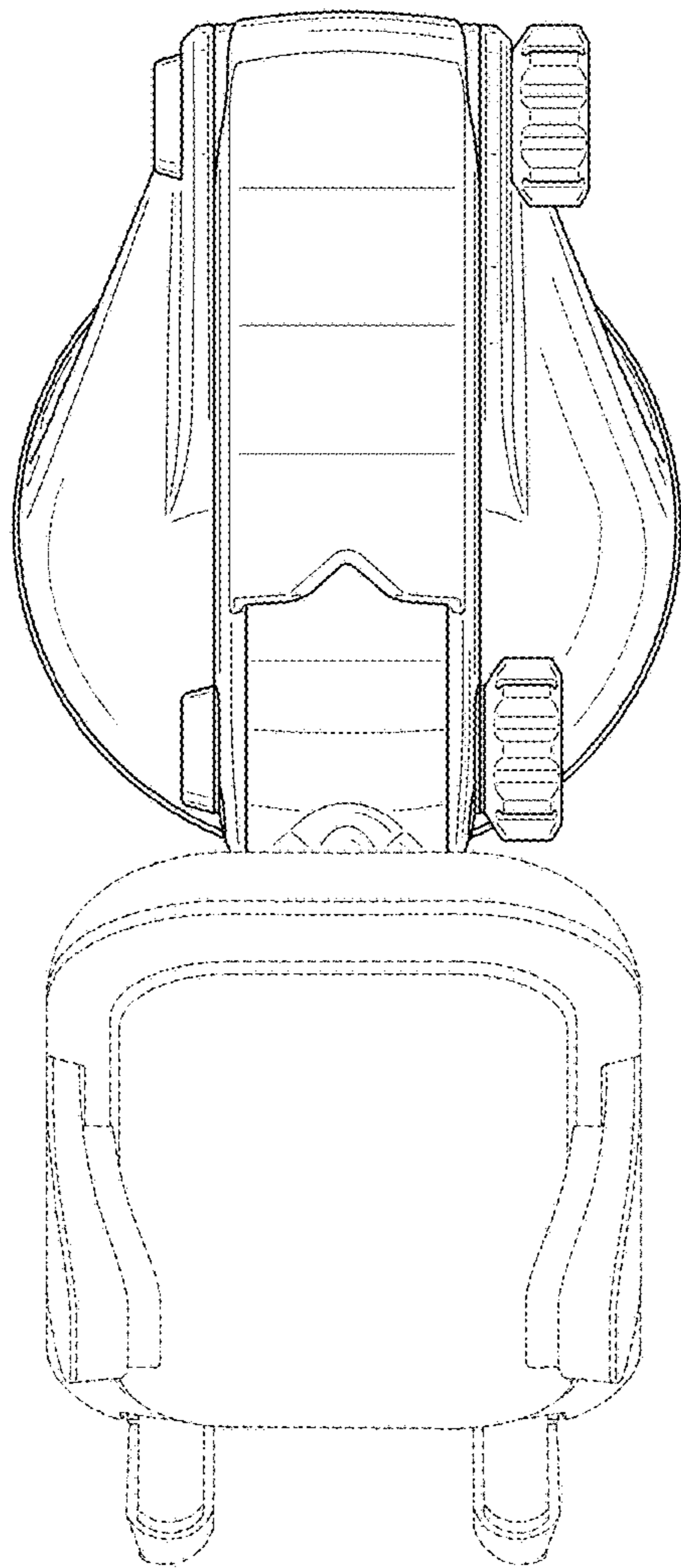


FIG. 6

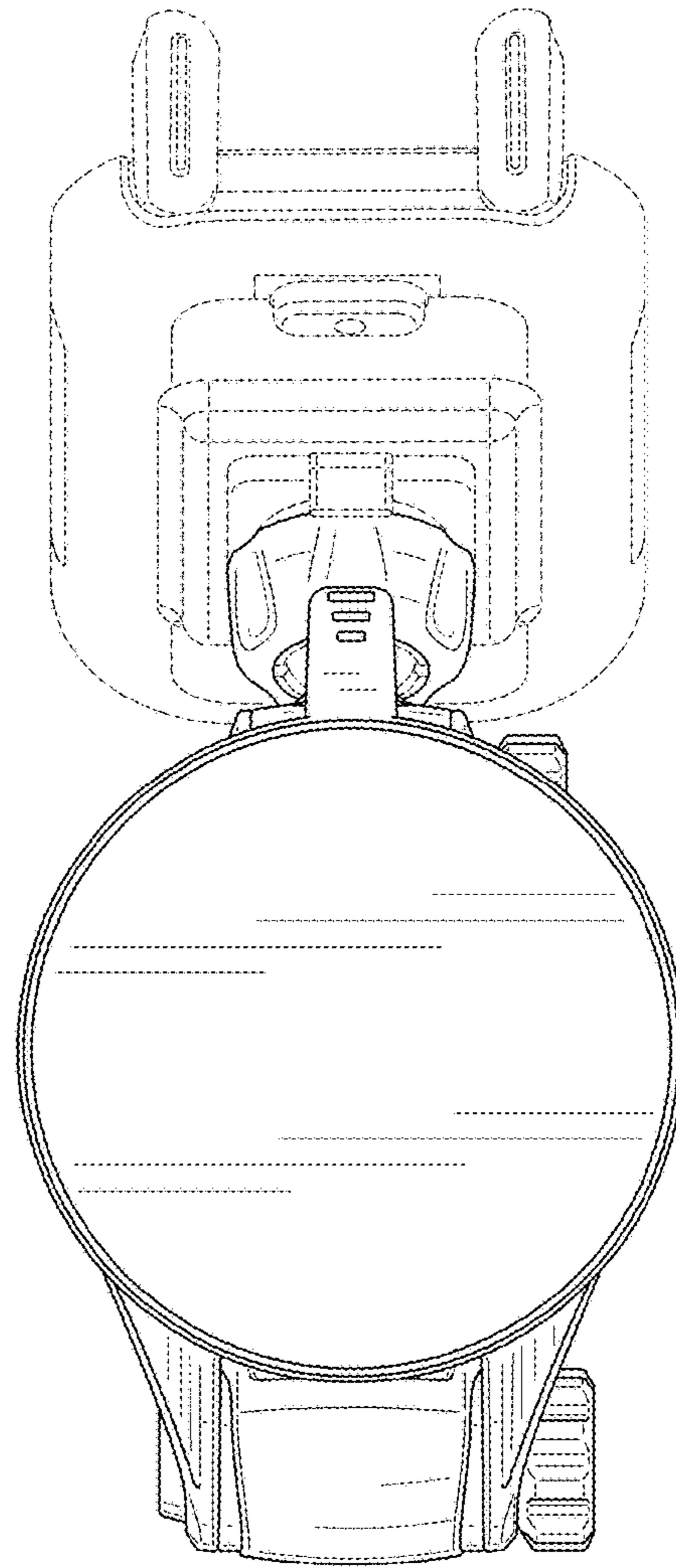


FIG. 7

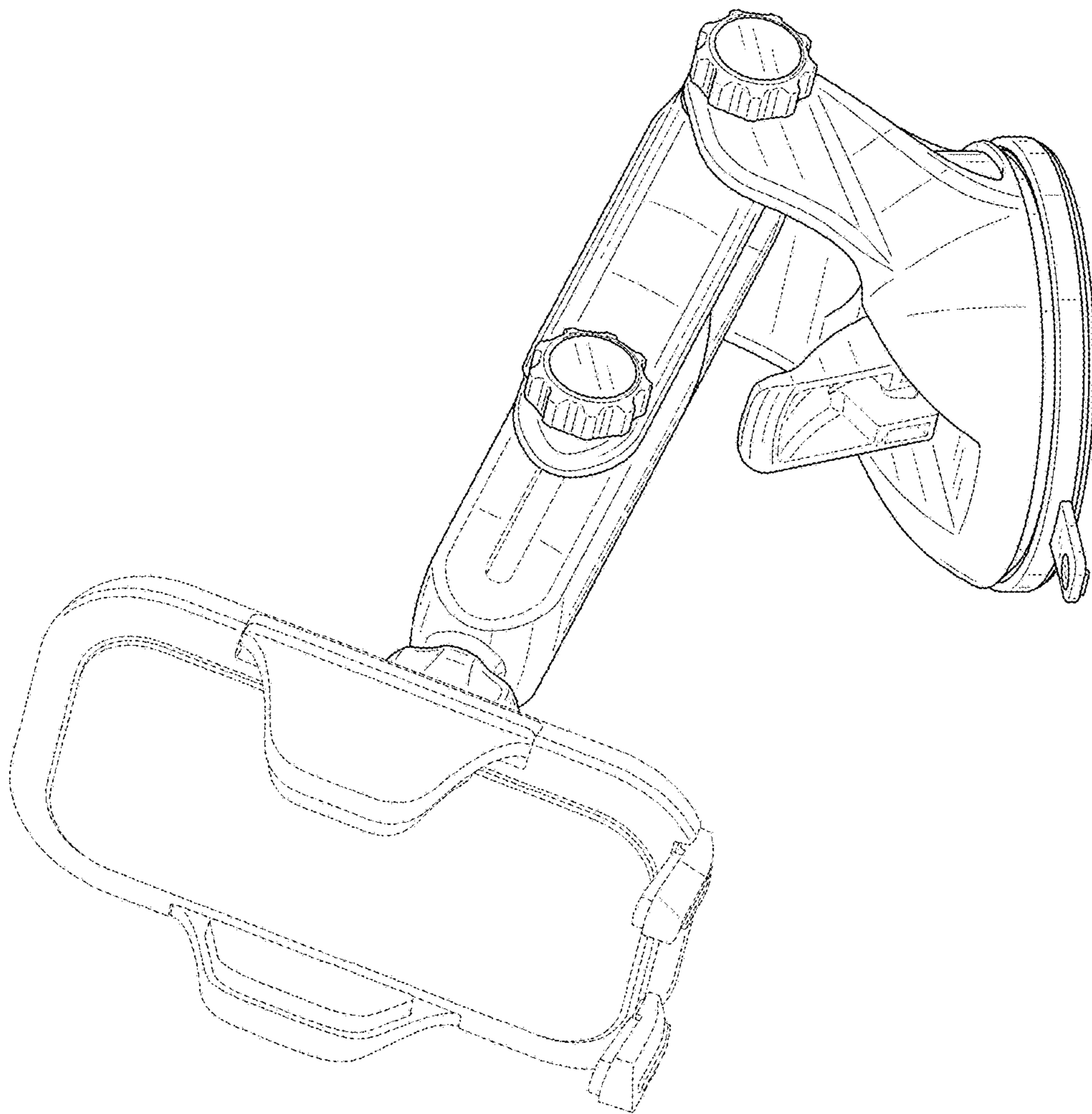


FIG. 8

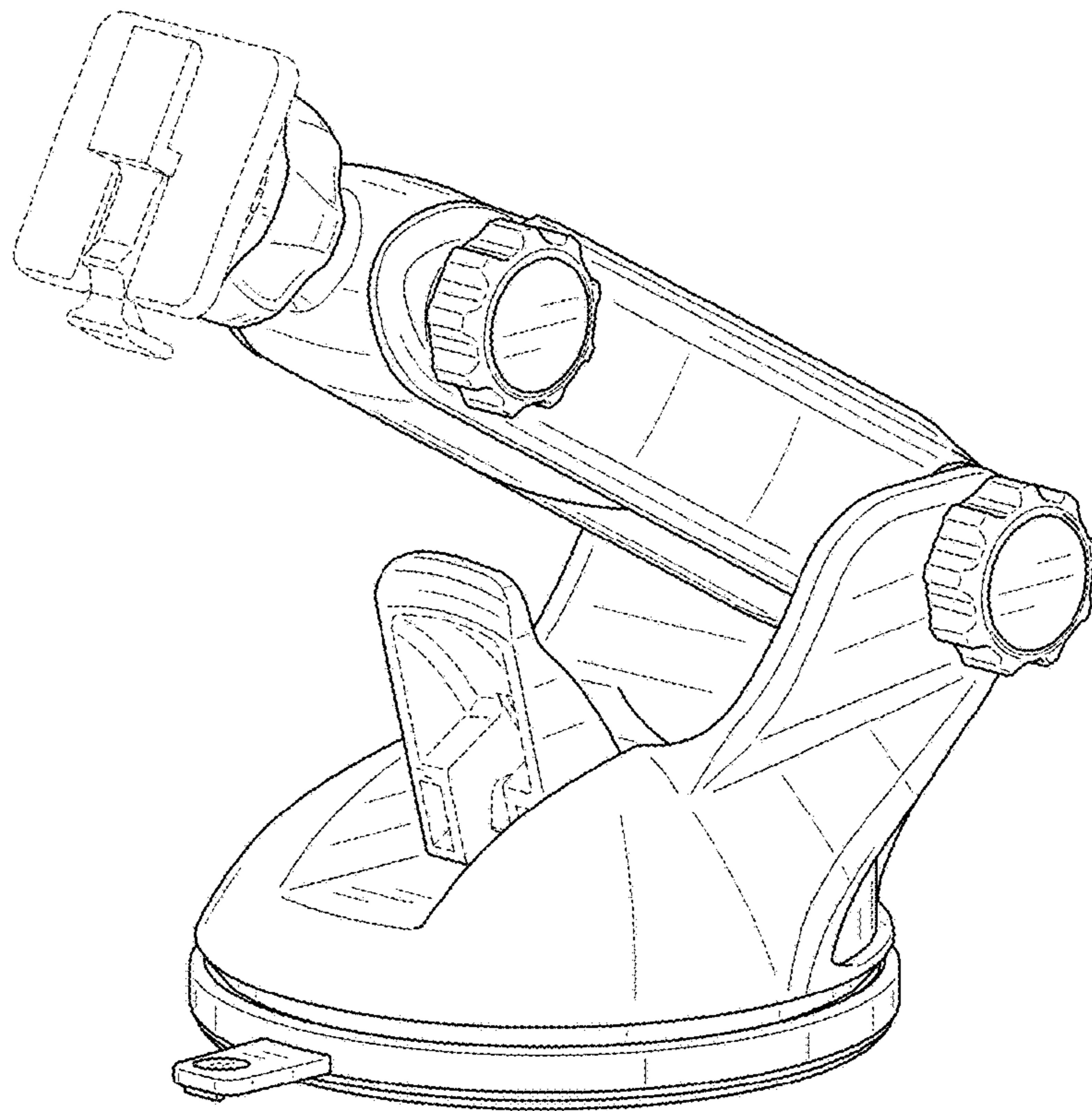


FIG. 9



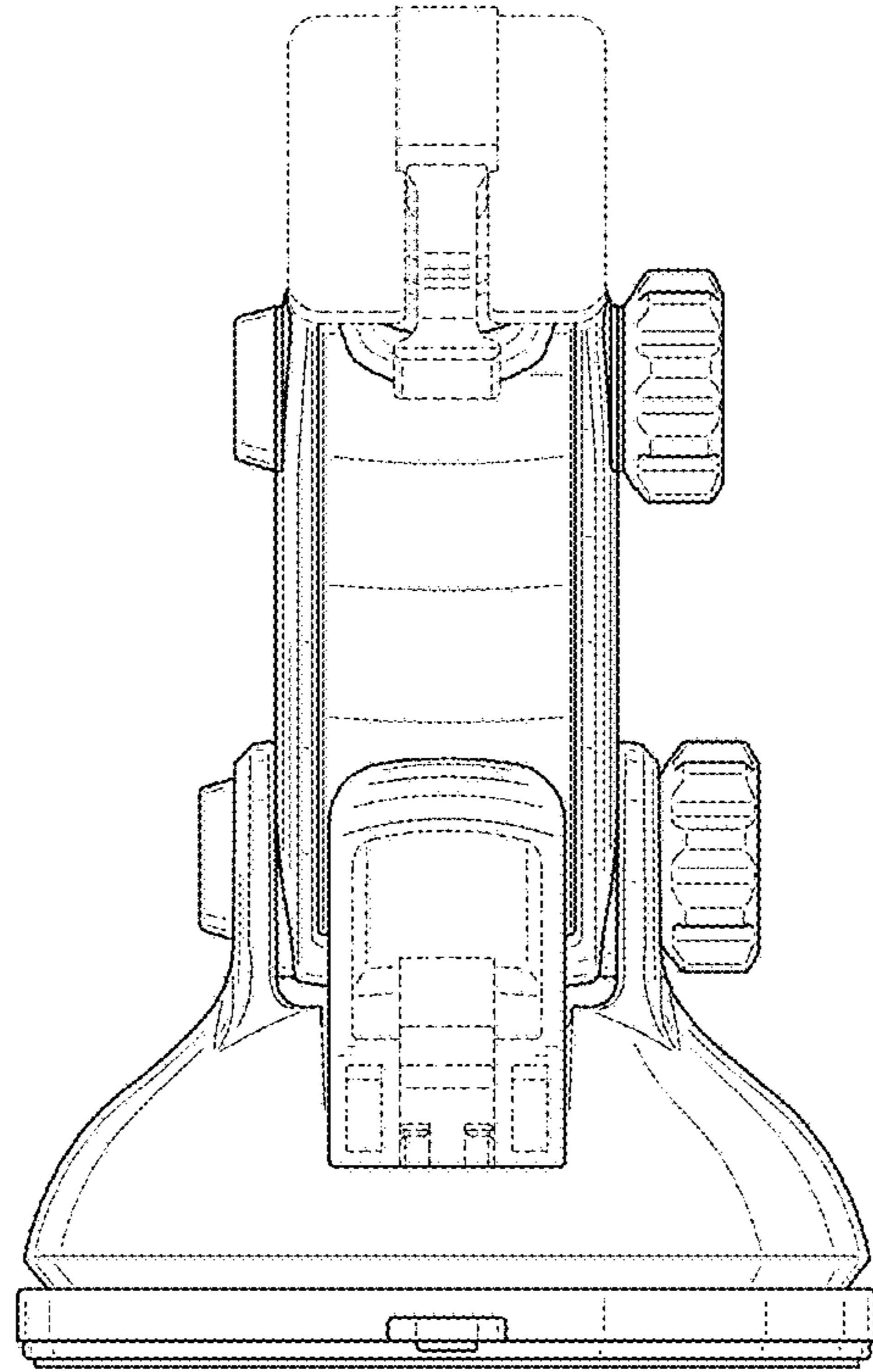


FIG. 10

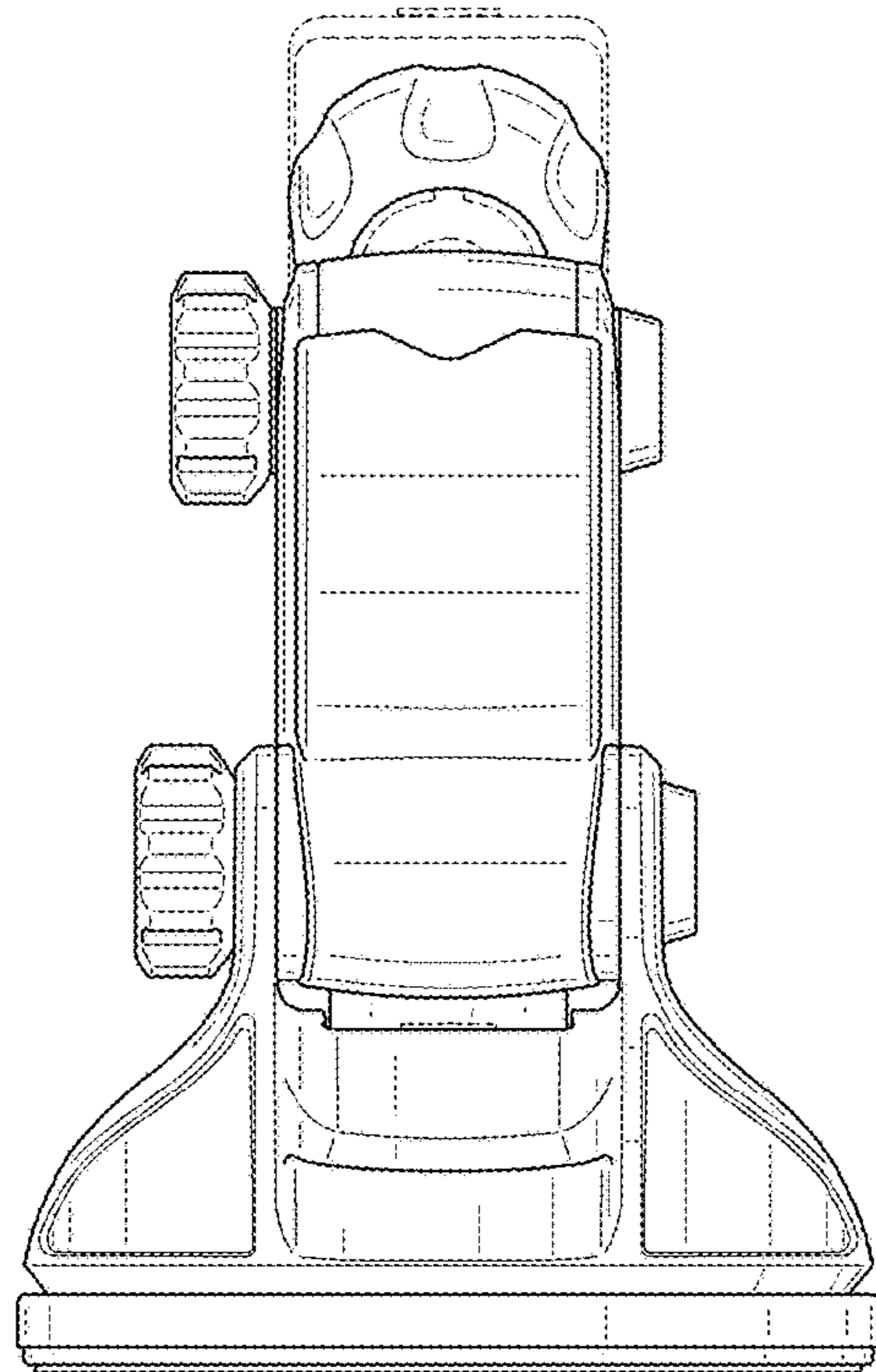


FIG. 11

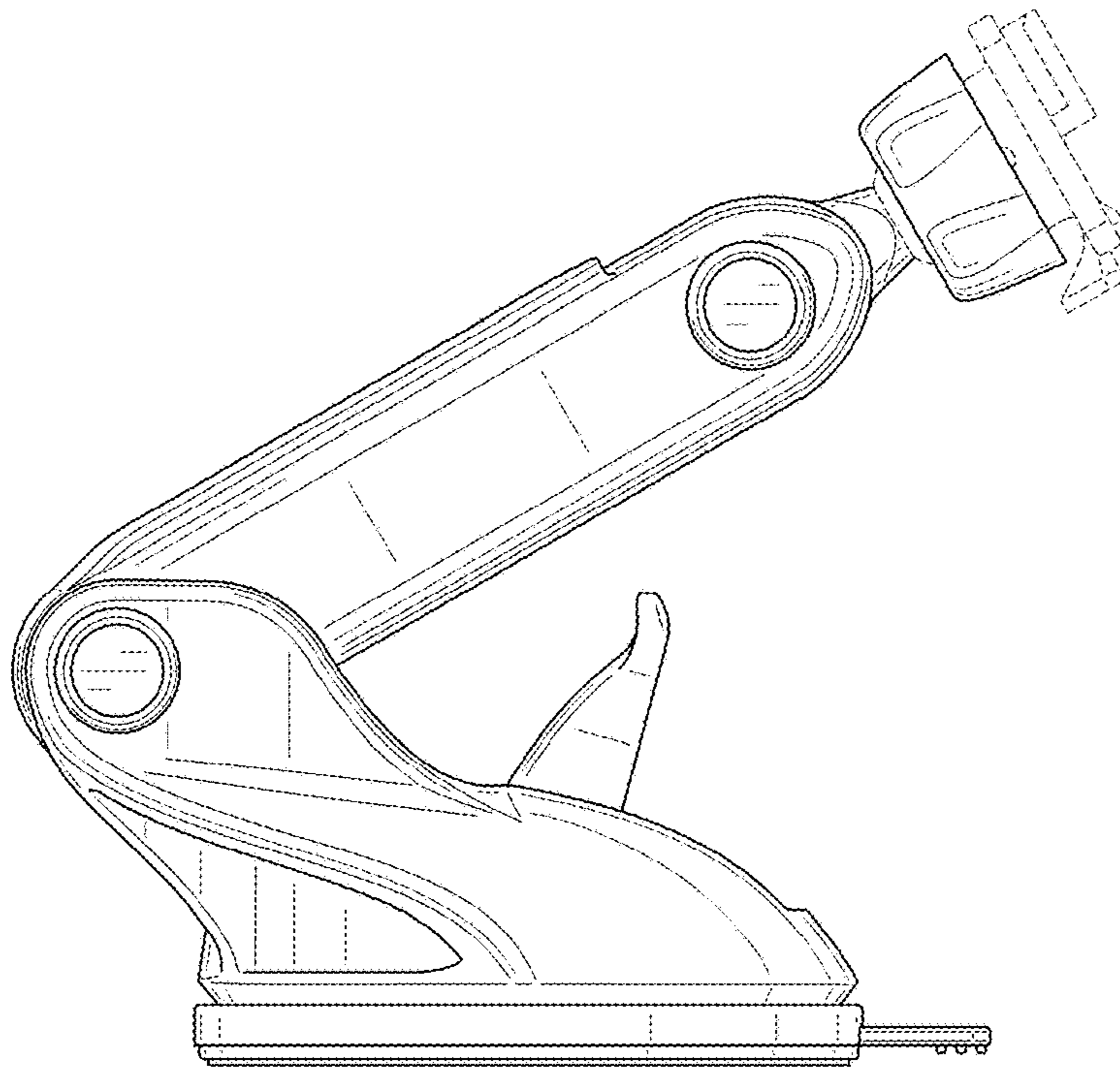


FIG. 12

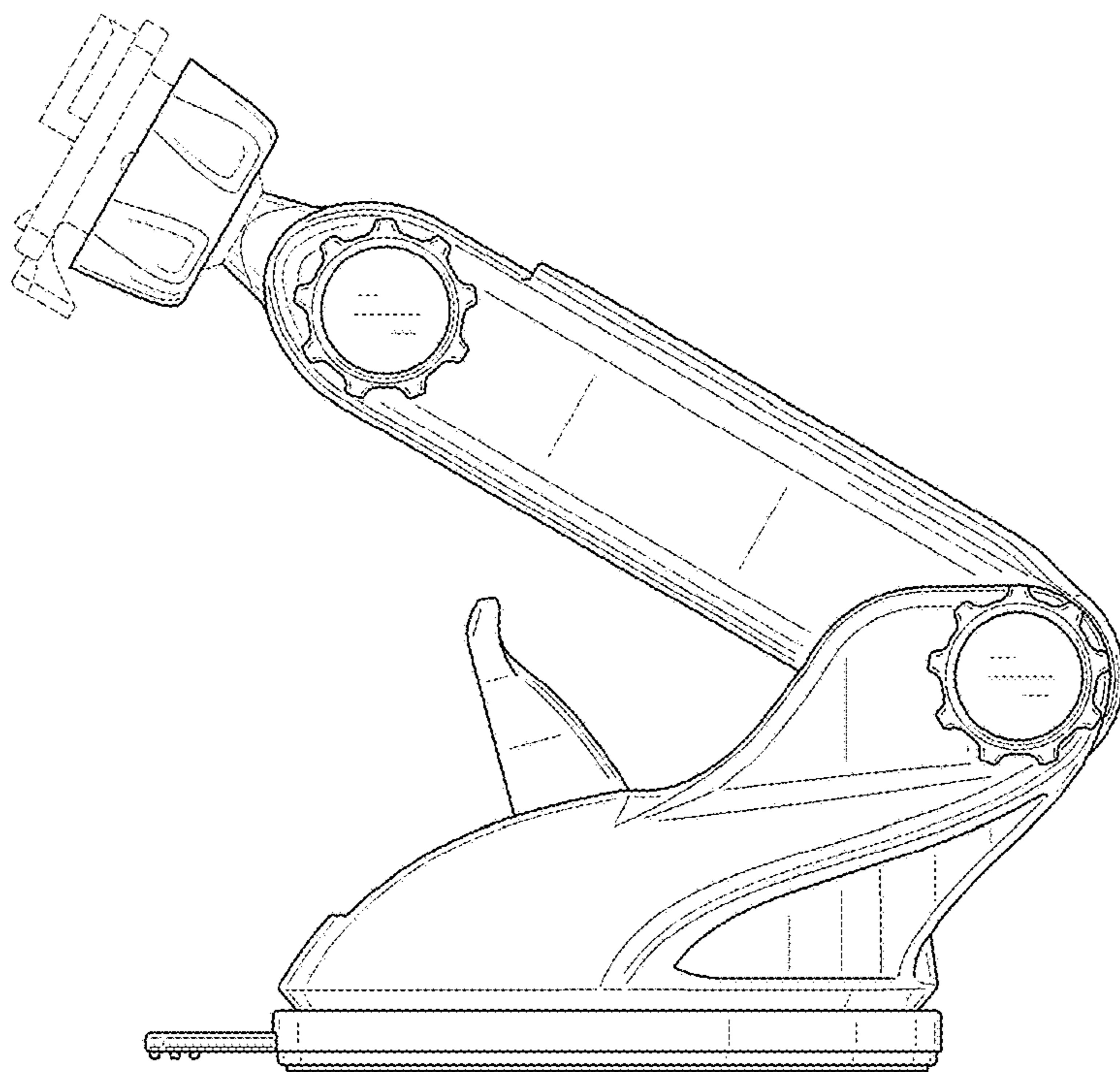


FIG. 13

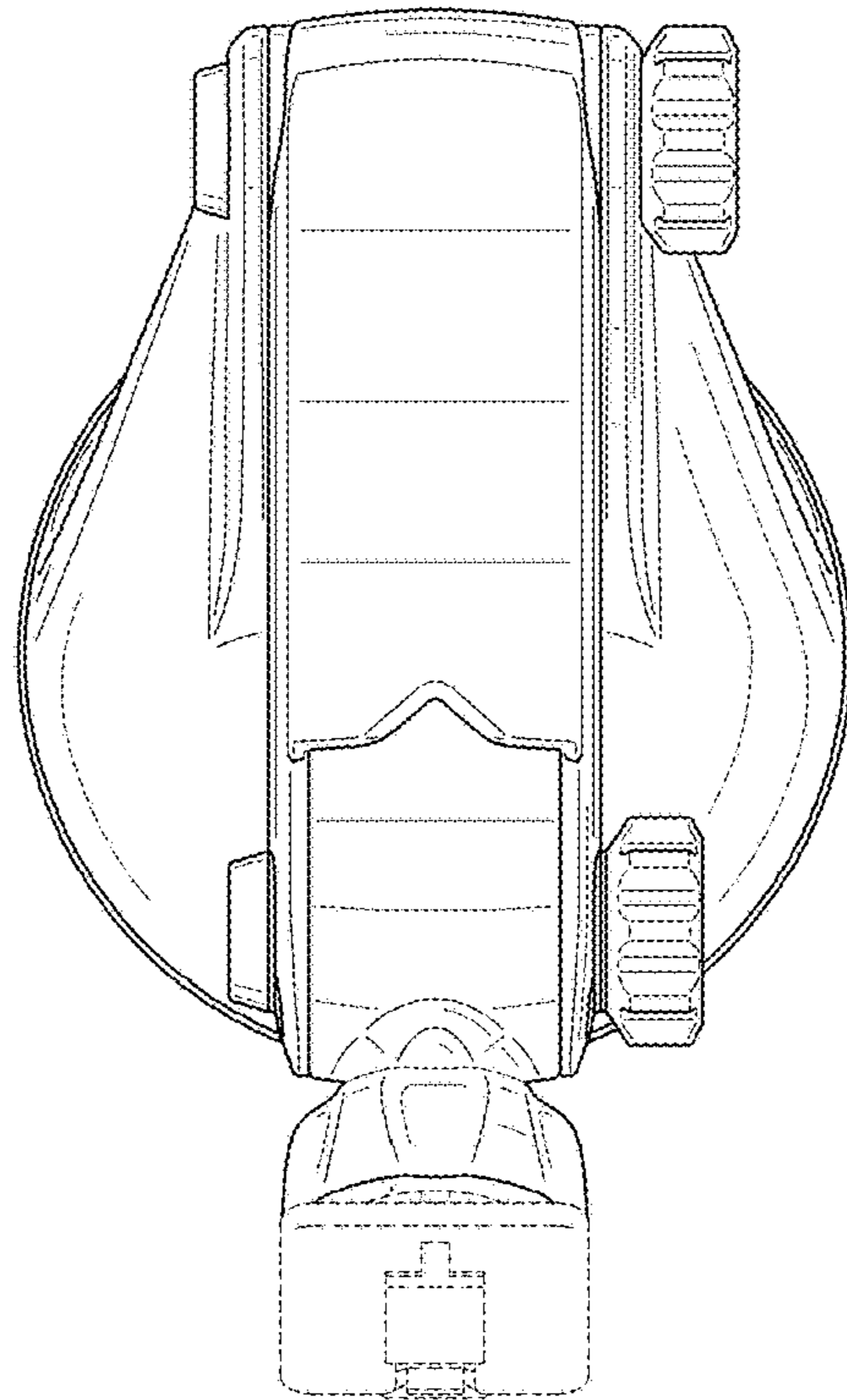


FIG. 14

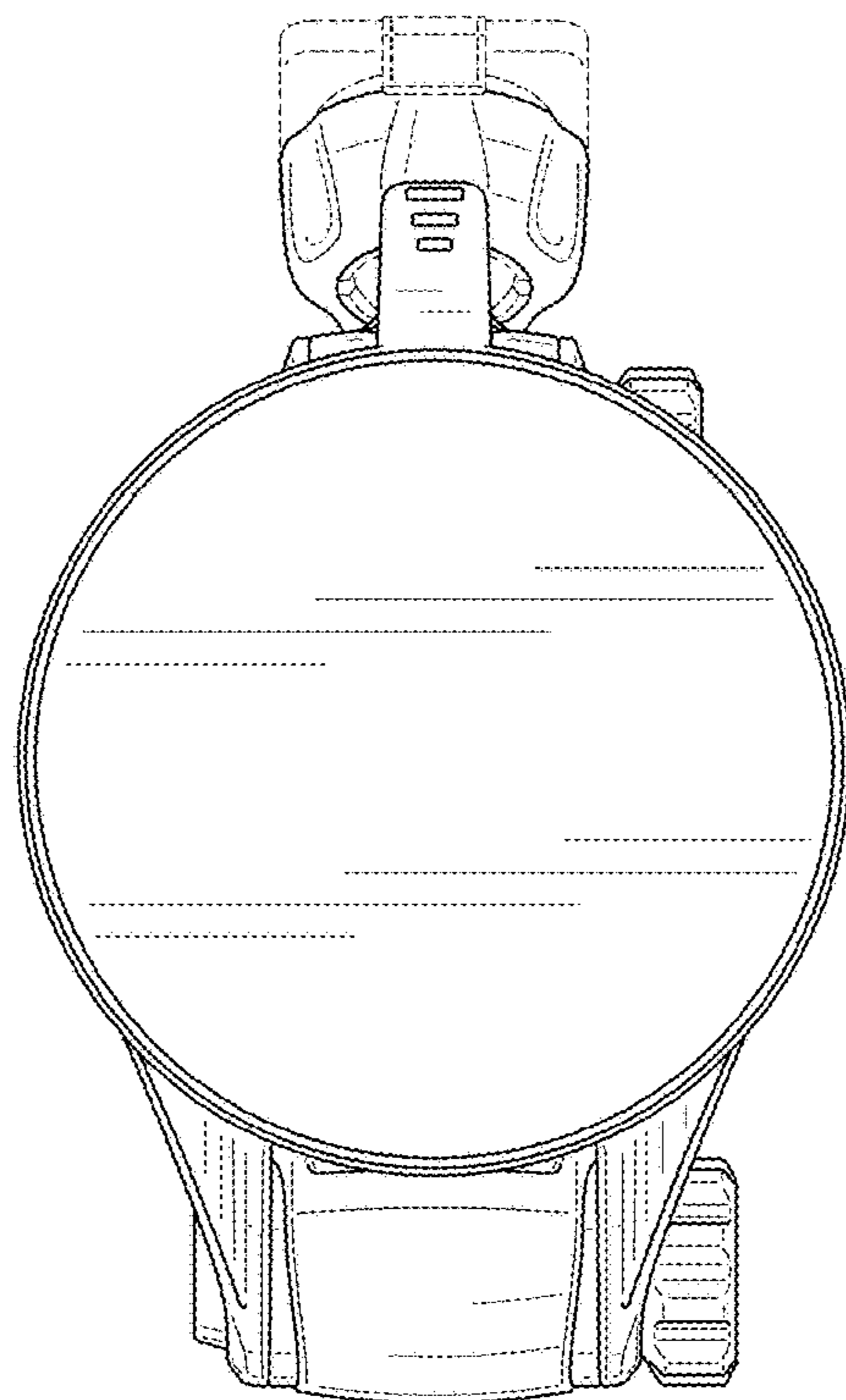


FIG. 15

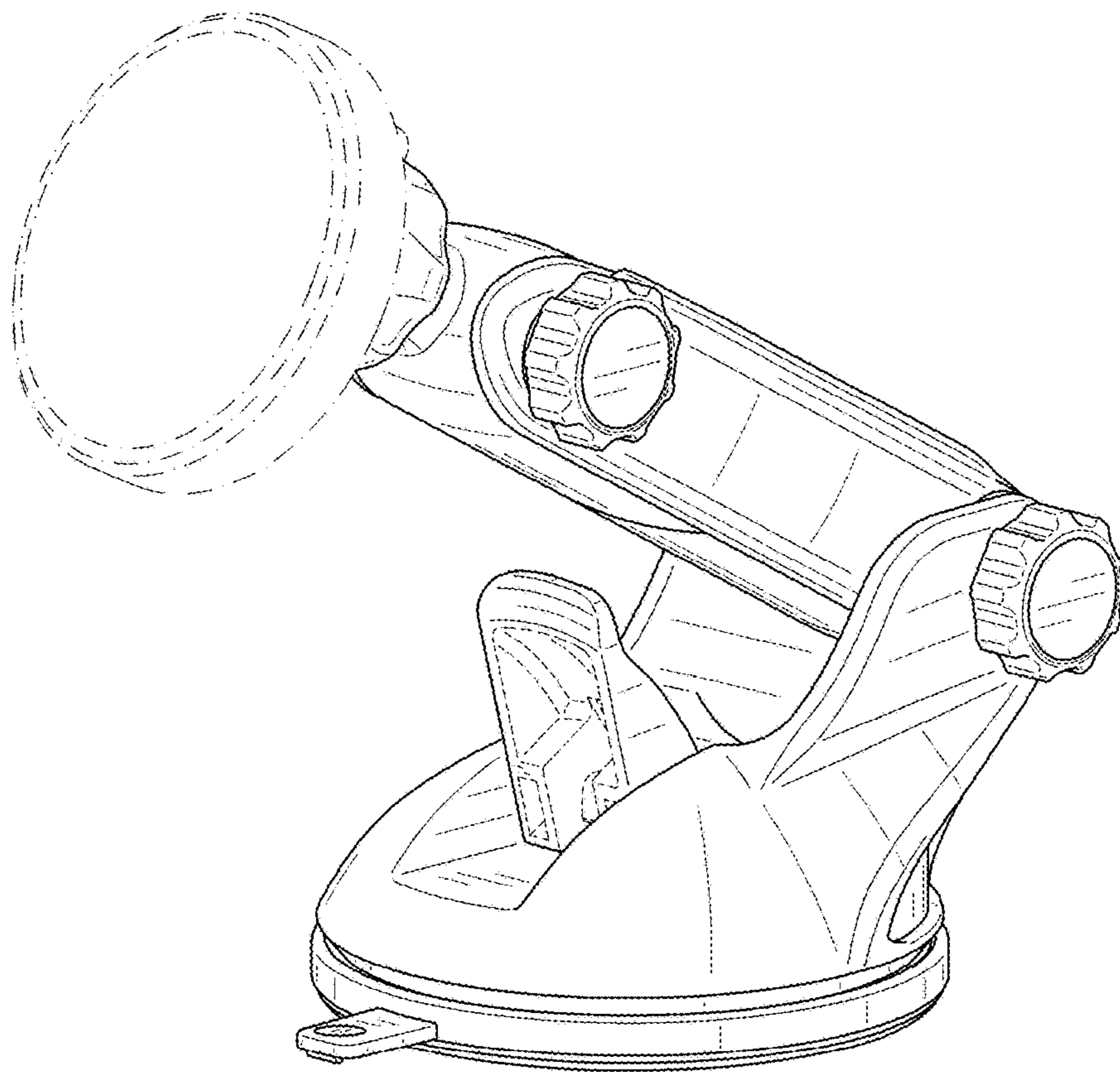


FIG. 16