



US00D818420S

(12) **United States Design Patent** (10) **Patent No.:** **US D818,420 S**
Roach et al. (45) **Date of Patent:** **** May 22, 2018**

(54) **AUTOMOTIVE STORAGE CONTAINER**

(71) Applicants: **Robert Roach**, Holt, MI (US); **Craig Wieland**, Mason, MI (US)

(72) Inventors: **Robert Roach**, Holt, MI (US); **Craig Wieland**, Mason, MI (US)

(**) Term: **15 Years**

(21) Appl. No.: **29/542,792**

(22) Filed: **Oct. 16, 2015**

(51) **LOC (11) Cl.** **12-16**

(52) **U.S. Cl.**
USPC **D12/414.1**

(58) **Field of Classification Search**
USPC ... D12/412, 406, 413, 414, 414.1, 221, 157,
D12/423, 414.4; D6/552, 317-319,
(Continued)

(56) **References Cited**

U.S. PATENT DOCUMENTS

954,918 A 4/1910 Biro
1,444,487 A 2/1923 Volters
(Continued)

OTHER PUBLICATIONS

United States Patent and Trademark Office, "Notice of Allowance", issued in connection with U.S. Appl. No. 29/472,288, dated Apr. 20, 2016, 19 pages.

(Continued)

Primary Examiner — Katrina A Betton

(74) *Attorney, Agent, or Firm* — Hanley, Flight and Zimmerman, LLC

(57) **CLAIM**

The ornamental design for an "automotive storage container," as shown and described.

DESCRIPTION

FIG. 1 is an isometric view of an automotive storage container in an erected configuration.

FIG. 2 is a front side view of the automotive storage container of FIG. 1 in the erected configuration.

FIG. 3 is a rear side view of the automotive storage container of FIG. 1 in the erected configuration.

FIG. 4 is a right side view of the automotive storage container of FIG. 1 in the erected configuration.

FIG. 5 is a left side view of the automotive storage container of FIG. 1 in the erected configuration.

FIG. 6 is a top plan view of the automotive storage container of FIG. 1 in the erected configuration.

FIG. 7 is a bottom view of the automotive storage container of FIG. 1 in the erected configuration.

FIG. 8 is an isometric view of the automotive storage container of FIG. 1 positioned within a cargo area of a vehicle.

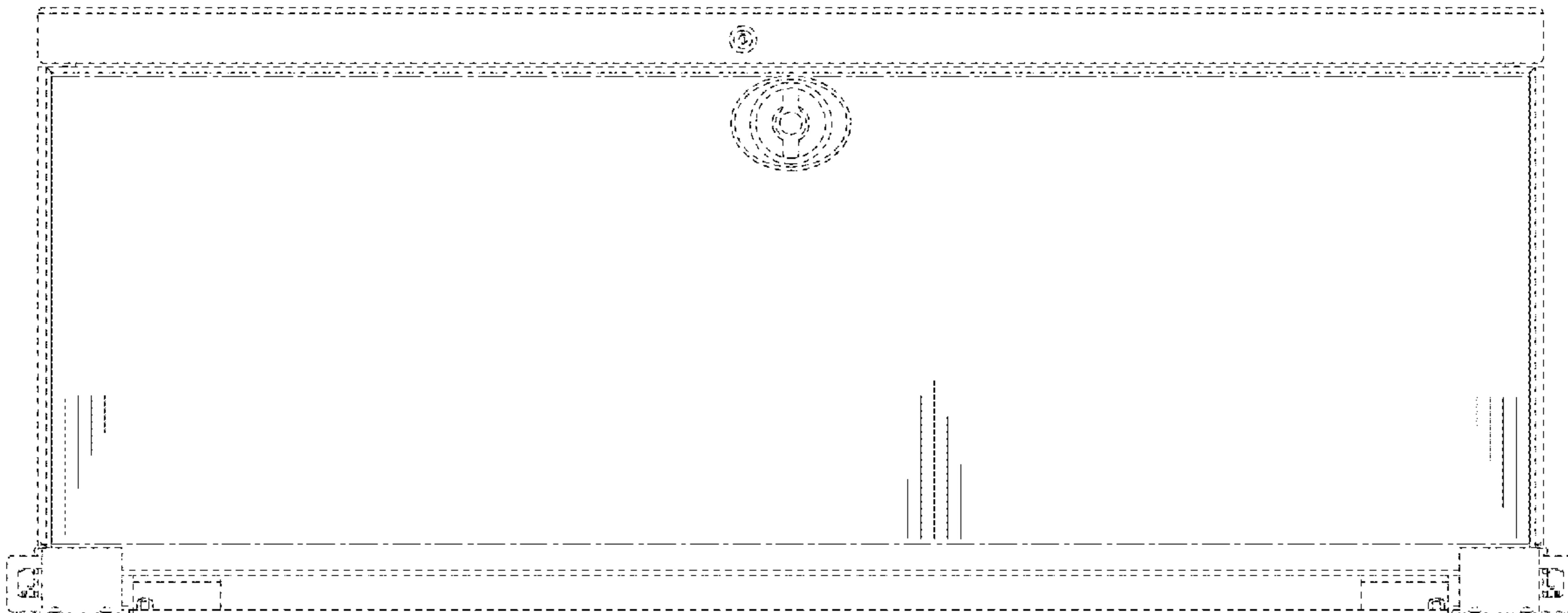
FIG. 9 is an isometric view of the automotive storage container of FIG. 8 with a top panel in a raised position and a front panel in a lowered position to enable access to an inside of the automotive storage container.

FIG. 10 is an isometric view of the automotive storage container of FIG. 8 with the top panel in the raised position and the front panel at least partially positioned within a bottom panel to enable access to an inside of the automotive storage container; and,

FIG. 11 is an isometric view of the automotive storage container of FIG. 8 with the top panel in the lowered position and the front panel at least partially positioned within the bottom panel to enable access to an inside of the automotive storage container.

The features shown in broken lines form no part of the claimed design. The features shown in dot/dashed lines represent a boundary of the claim. The features shown in dot/dashed lines form no part of the claimed design.

1 Claim, 10 Drawing Sheets



(58) Field of Classification Search
USPC D6/513-514; D3/304-306;
D32/304-306, 35, 58
CPC B60R 7/02; B60R 9/04; B60R 9/055
See application file for complete search history.

(56) References Cited

U.S. PATENT DOCUMENTS

1,449,419 A 3/1923 Kraus
1,489,527 A 4/1924 Henry
2,529,983 A 11/1950 White
3,995,764 A 12/1976 Zagami
4,230,227 A 10/1980 Kowall et al.
4,260,091 A 4/1981 French et al.
D274,139 S 6/1984 Suffern et al.
4,673,087 A 6/1987 Webb
4,828,312 A 5/1989 Kinkel et al.
4,848,618 A 7/1989 Yuan et al.
4,875,730 A 10/1989 Justice
5,226,302 A 7/1993 Anderson
5,299,704 A 4/1994 Thorby
5,341,950 A 8/1994 Sinz
5,368,210 A 11/1994 Wotring
5,456,514 A 10/1995 Justice
5,478,130 A 12/1995 Matulin
5,782,372 A 7/1998 Weiss et al.
5,853,116 A 12/1998 Schreiner
5,862,932 A 1/1999 Walsh et al.
5,875,912 A 3/1999 Hobson
6,015,178 A 1/2000 Haack
6,070,775 A 6/2000 Tolley et al.
D430,103 S 8/2000 Scudder
6,254,162 B1 7/2001 Faber et al.
6,267,427 B1 7/2001 Ziehl
6,308,873 B1 10/2001 Baldas et al.
6,401,995 B1 6/2002 Yuille et al.
6,454,148 B1 9/2002 Cook
6,464,276 B1 10/2002 Gruich
6,507,701 B2 1/2003 Lake
6,536,826 B1 3/2003 Reed
6,644,710 B2 11/2003 Seel et al.
6,749,077 B1 6/2004 McAlpine et al.
6,827,385 B2 12/2004 Mobley
6,932,404 B2 8/2005 Vejnar
6,938,807 B2 9/2005 Victor
6,986,541 B1 1/2006 Haack
7,097,224 B2 8/2006 Lester et al.
7,290,820 B1 11/2007 Smith et al.
D623,121 S * 9/2010 Lewis D12/414.1
D626,061 S * 10/2010 Giddens D12/414.1
D626,062 S * 10/2010 Giddens D12/414.1
D658,373 S 5/2012 Gros
D659,632 S 5/2012 Jordan
D660,781 S 5/2012 Ruffino et al.
8,215,693 B2 7/2012 Ulita
D679,906 S * 4/2013 Gros D12/414.1
8,701,950 B2 4/2014 Roach et al.
D717,721 S * 11/2014 Guaresimo D12/414
D720,281 S * 12/2014 Grant D12/414.1
D722,008 S * 2/2015 Tuel D12/414.1
D722,009 S 2/2015 Roach et al.
8,960,756 B2 2/2015 Roach et al.
D755,706 S 5/2016 Roach et al.
D755,707 S 5/2016 Roach et al.
D755,708 S 5/2016 Roach et al.
D765,014 S 8/2016 Roach et al.
D766,810 S * 9/2016 Haun D12/414.1
D771,544 S * 11/2016 Christofferson D12/414.1
D772,141 S * 11/2016 Christofferson D12/414.1
2001/0017474 A1 8/2001 Leitner et al.
2002/0175530 A1 11/2002 Lake
2003/0085584 A1 5/2003 Golden
2003/0098591 A1 5/2003 Leitner et al.
2004/0232016 A1 11/2004 Dietrich
2005/0242138 A1 11/2005 Warganich
2006/0266778 A1 11/2006 Allotey

2007/0119093 A1 5/2007 Jaskulski
2008/0264946 A1 10/2008 Moschella et al.
2009/0056592 A1 3/2009 Threet et al.
2009/0189404 A1 7/2009 Anderson et al.
2009/0255967 A1 10/2009 Lueder
2009/0321434 A1 12/2009 Rothschild et al.
2010/0140973 A1 6/2010 Duncan
2010/0252468 A1 10/2010 Pratte et al.
2010/0264180 A1 10/2010 Allotey
2010/0270821 A1 10/2010 Ulita
2010/0320793 A1 12/2010 Aebker et al.
2012/0181810 A1 7/2012 Alvarino
2012/0261451 A1 10/2012 Roach et al.
2012/0261452 A1 10/2012 Roach et al.
2012/0261938 A1 10/2012 Roach et al.
2014/0062042 A1 3/2014 Wagner et al.
2014/0175137 A1 6/2014 Roach et al.
2014/0326764 A1 11/2014 Roach et al.
2014/0346205 A1 11/2014 Roach et al.

OTHER PUBLICATIONS

United States Patent and Trademark Office, "Office Action", issued
in connection with U.S. Appl. No. 13/447,163, dated Apr. 1, 2013,
17 Pages.
United States Patent and Trademark Office, "Final Office Action",
issued in connection with U.S. Appl. No. 13/447,163, dated Jul. 18,
2013, 21 Pages.
United States Patent and Trademark Office, "Advisory Action",
issued in connection with U.S. Appl. No. 13/447,163, dated Oct. 10,
2013, 3 Pages.
United States Patent and Trademark Office, "Office Action", issued
in connection with U.S. Appl. No. 13/087,140, dated Dec. 28, 2012,
13 Pages.
United States Patent and Trademark Office, "Final Office Action",
issued in connection with U.S. Appl. No. 13/087,140, dated Apr. 25,
2013, 19 Pages.
United States Patent and Trademark Office, "Office Action", issued
in connection with U.S. Appl. No. 13/446,447, dated Aug. 6, 2013,
12 Pages.
United States Patent and Trademark Office, "Notice of Allowance",
issued in connection with U.S. Appl. No. 13/447,163, dated Feb. 3,
2014, 58 Pages.
United States Patent and Trademark Office, "Office Action", issued
in connection with U.S. Appl. No. 13/446,447, dated Mar. 18, 2014,
14 Pages.
United States Patent and Trademark Office, "Final Office Action",
issued in connection with U.S. Appl. No. 13/446,447, dated Nov. 21,
2013, 8 Pages.
United States Patent and Trademark Office, "Restriction", issued in
connection with U.S. Appl. No. 13/446,447, dated Apr. 16, 2013, 6
Pages.
United States Patent and Trademark Office, "Notice of Allowance",
issued in connection with U.S. Appl. No. 29/449,629, dated Sep. 12,
2014, 29 pages.
United States Patent and Trademark Office, "Final Office Action",
issued in connection with U.S. Appl. No. 13/446,447, dated Jul. 9,
2014, 10 pages.
Canadian Intellectual Property Office, "Examiner's Report", issued
in connection with Canadian Patent Application No. 152911, dated
Jul. 16, 2014, 1 page.
United States Patent and Trademark Office, "Notice of Allowance",
issued in connection with U.S. Appl. No. 13/446,447, dated Nov. 13,
2014, 15 pages.
United States Patent and Trademark Office, "Office Action," issued
in connection with U.S. Appl. No. 14/076,926, dated Mar. 12, 2015,
88 pages.
United States Patent and Trademark Office, "Notice of Allowance",
issued in connection with U.S. Appl. No. 29/511,735, dated Jan. 13,
2016, 40 pages.
United States Patent and Trademark Office, "Notice of Allowance",
issued in connection with U.S. Appl. No. 29/510,390, dated Jan. 12,
2016, 40 pages.

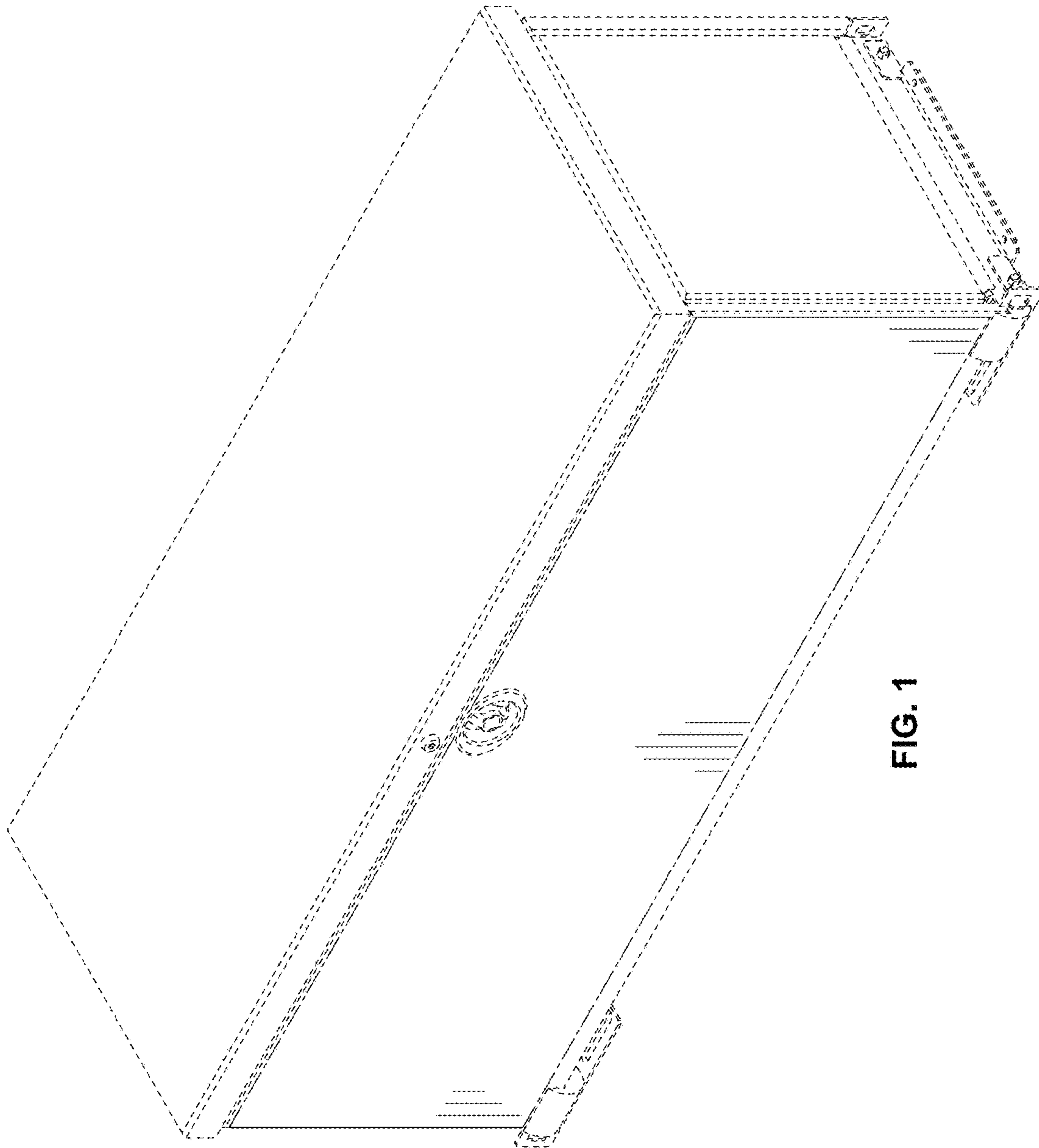
(56)

References Cited

OTHER PUBLICATIONS

United States Patent and Trademark Office, "Notice of Allowance", issued in connection with U.S. Appl. No. 29/510,387, dated Jan. 6, 2016, 40 pages.

* cited by examiner



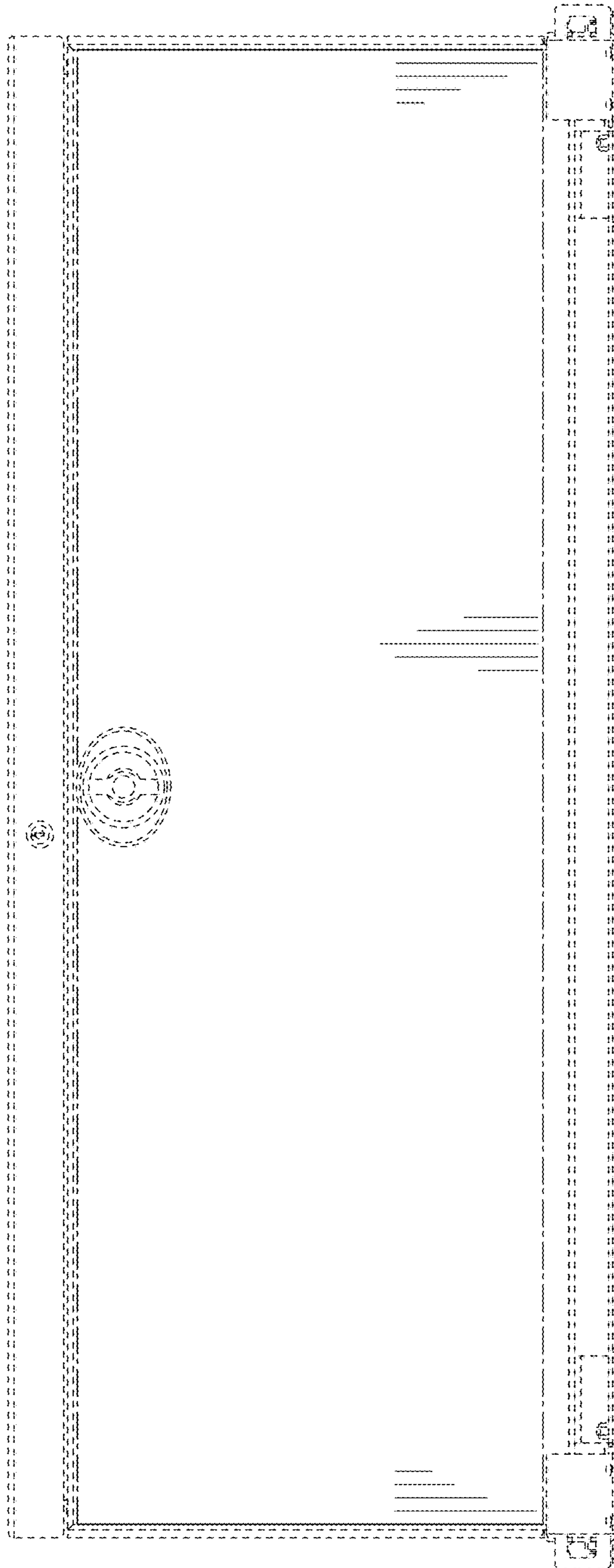


FIG. 2

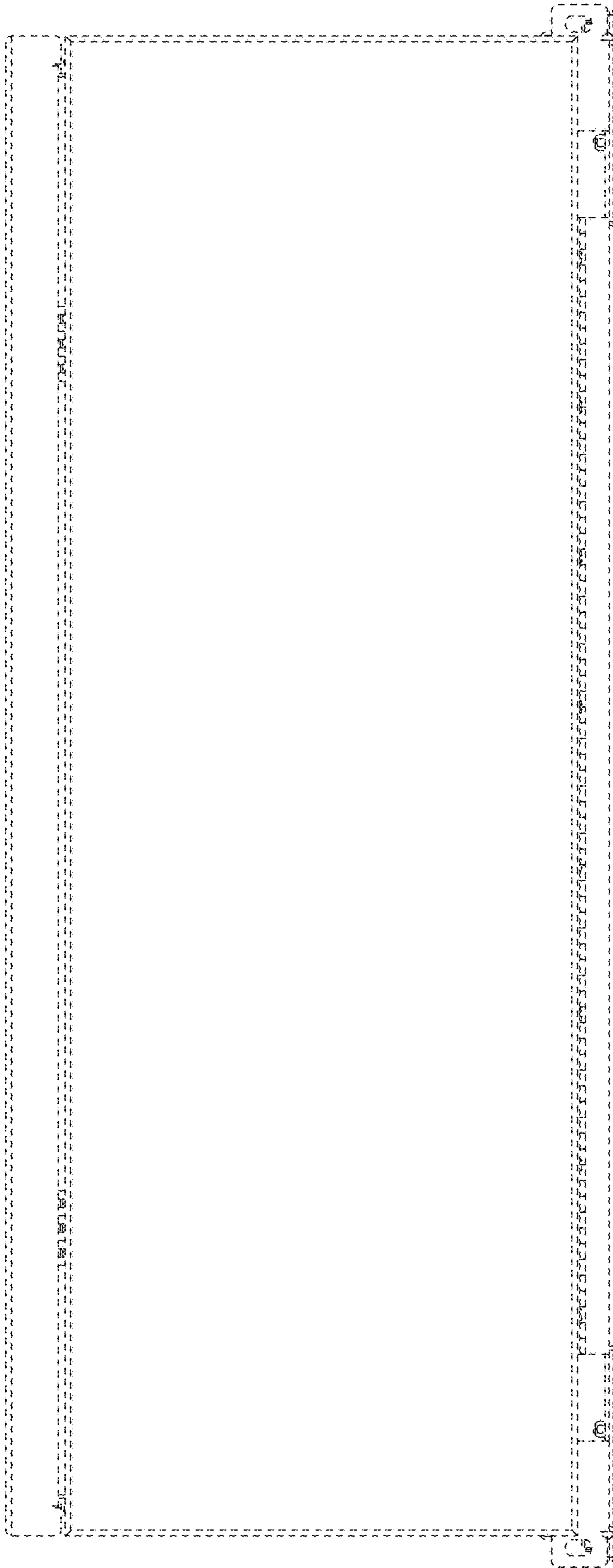


FIG. 3

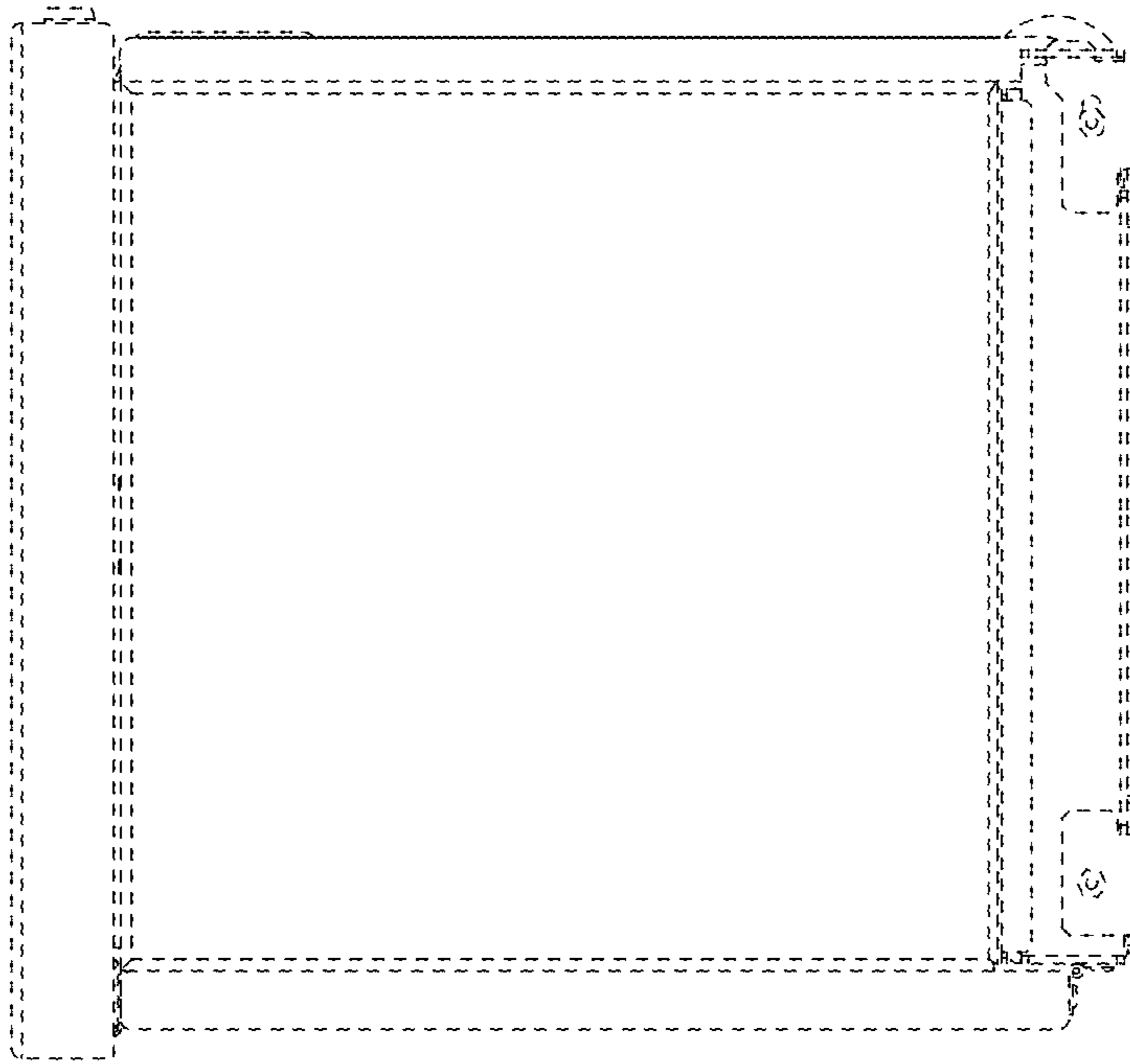


FIG. 5

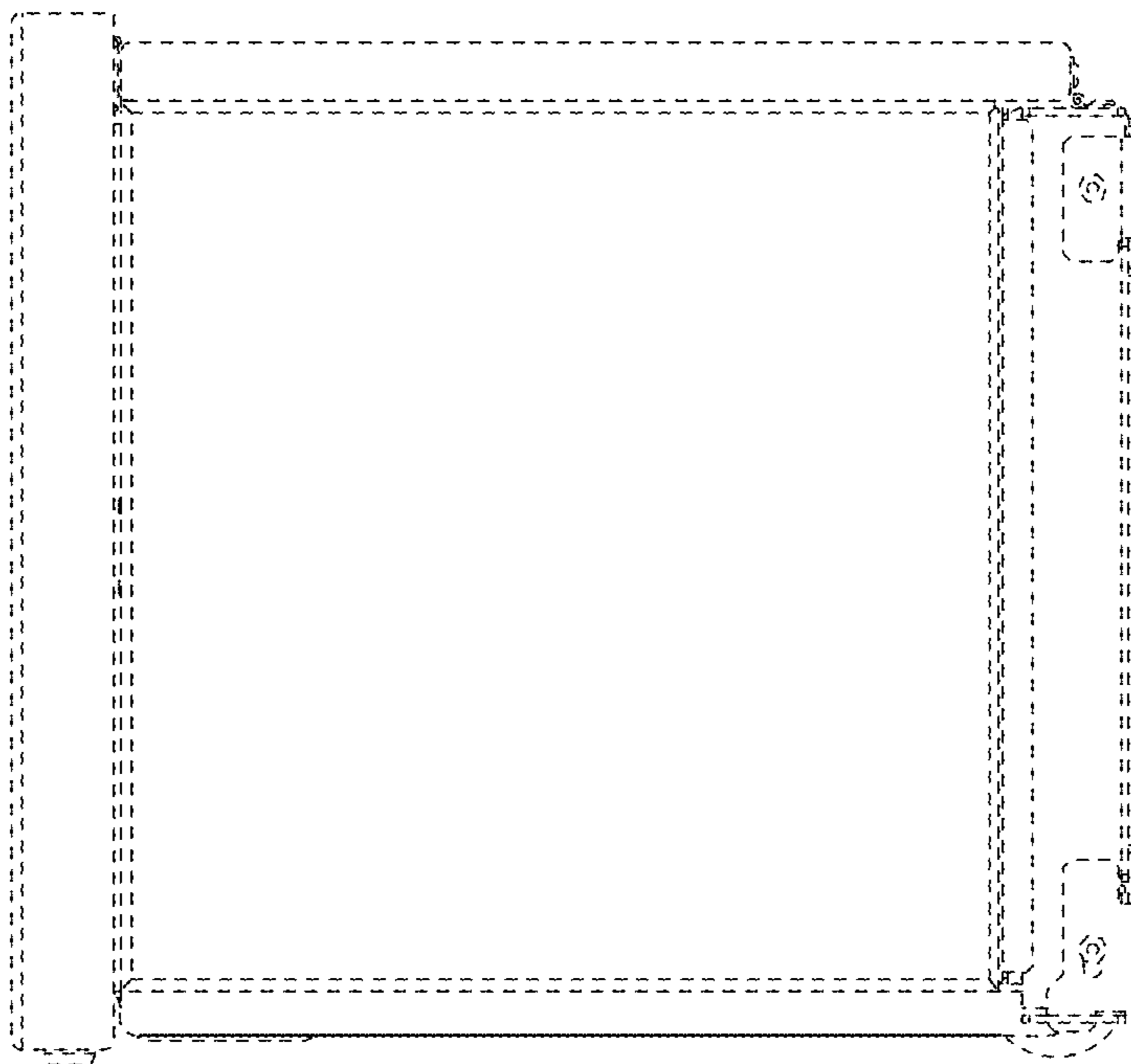


FIG. 4

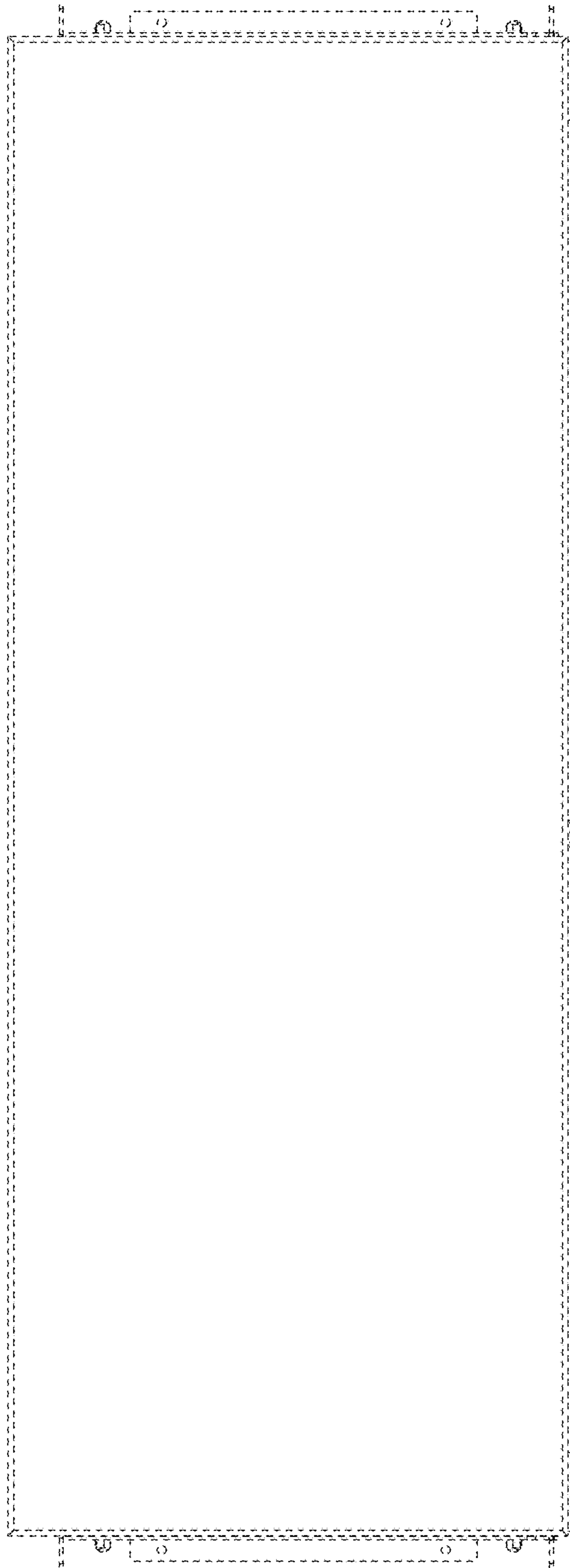


FIG. 6

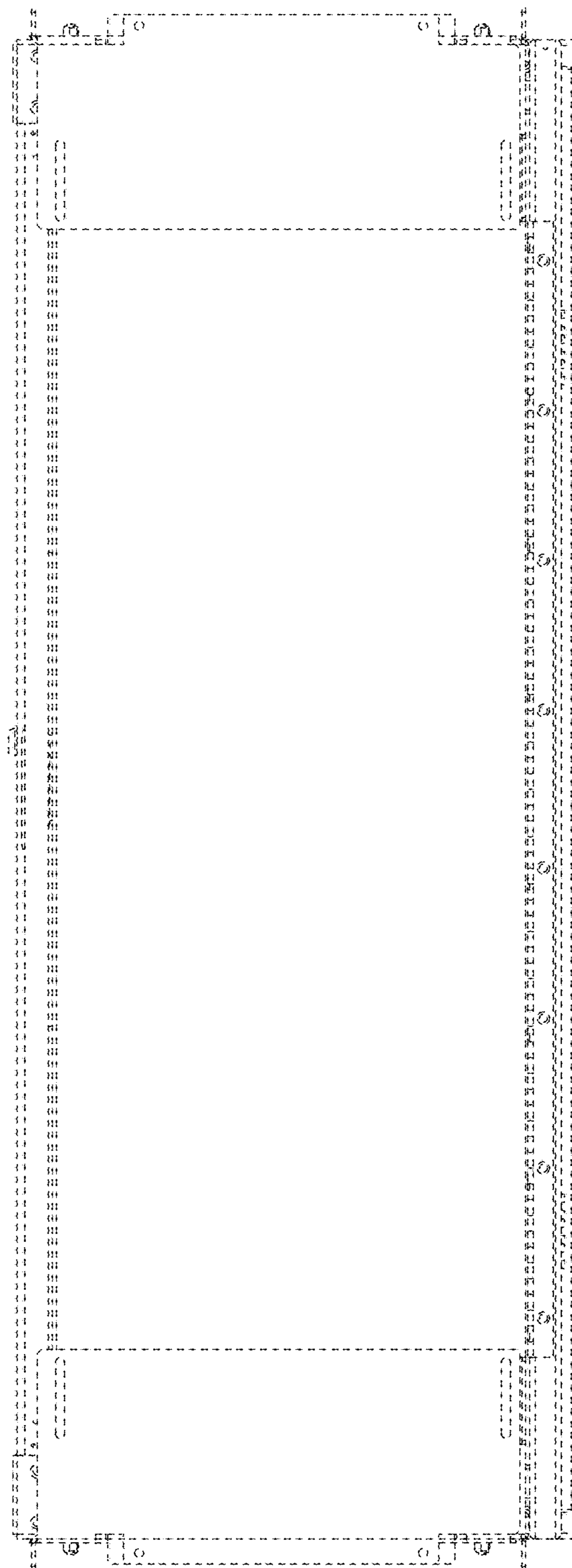


FIG. 7

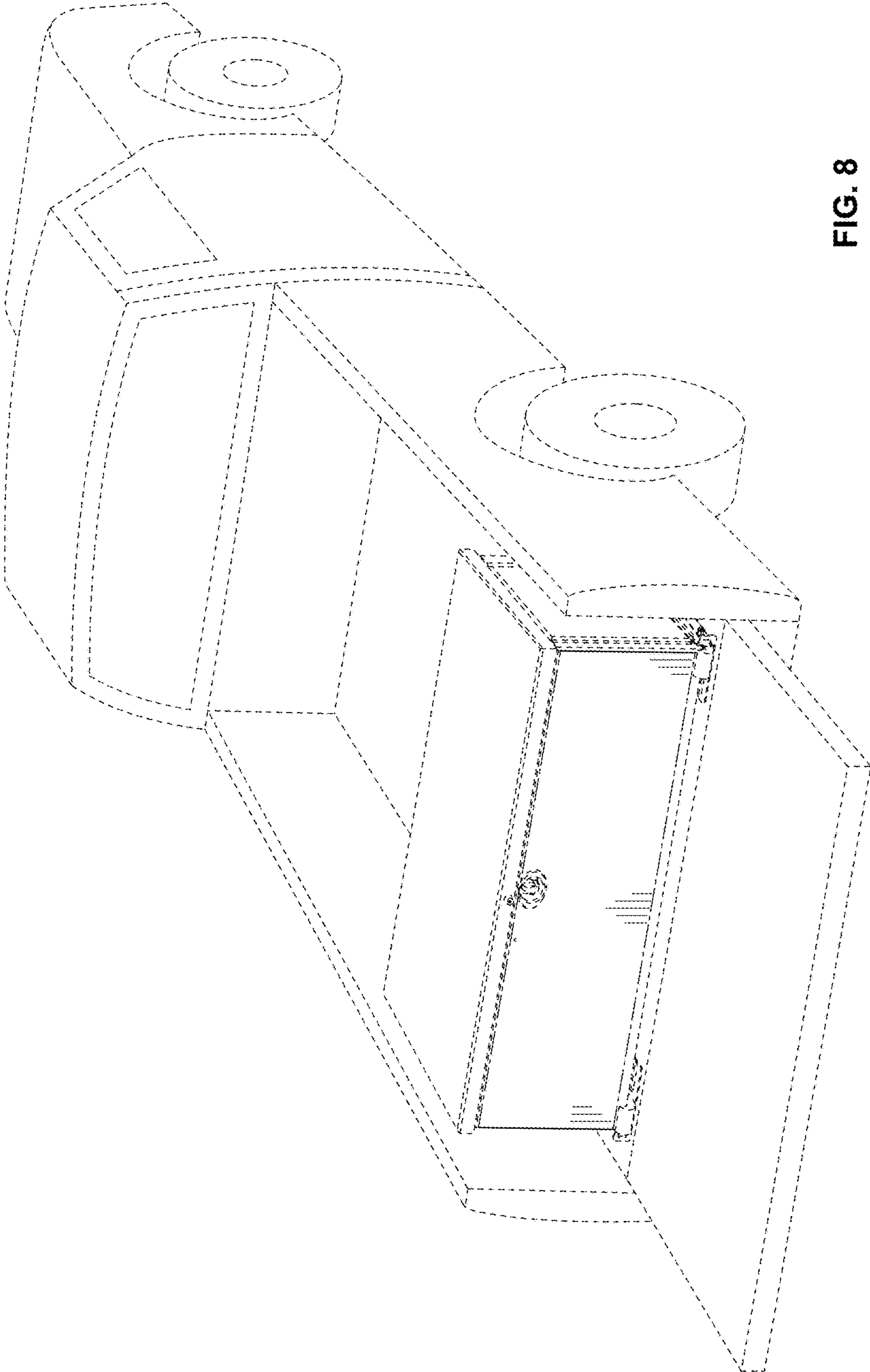


FIG. 8

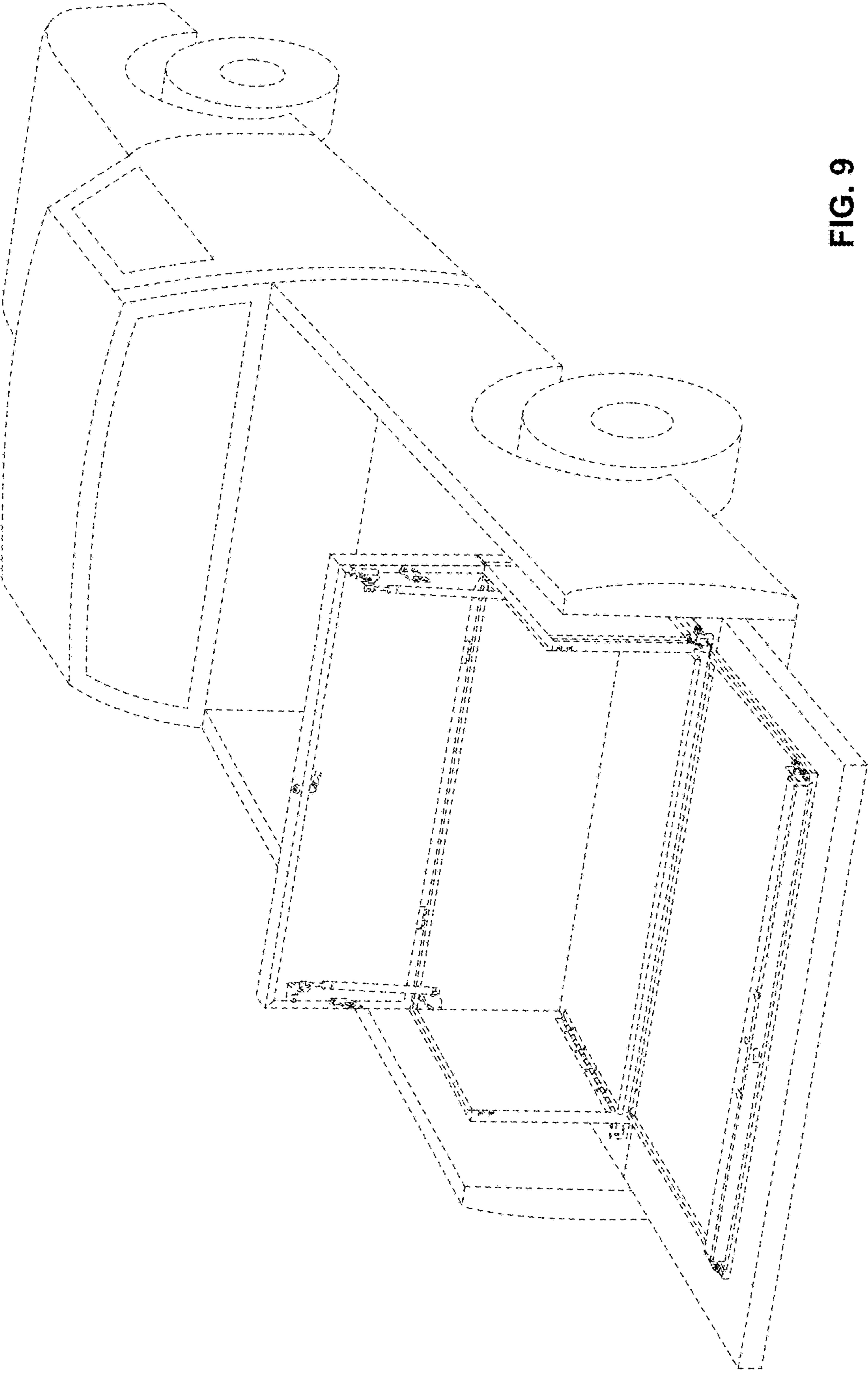


FIG. 9

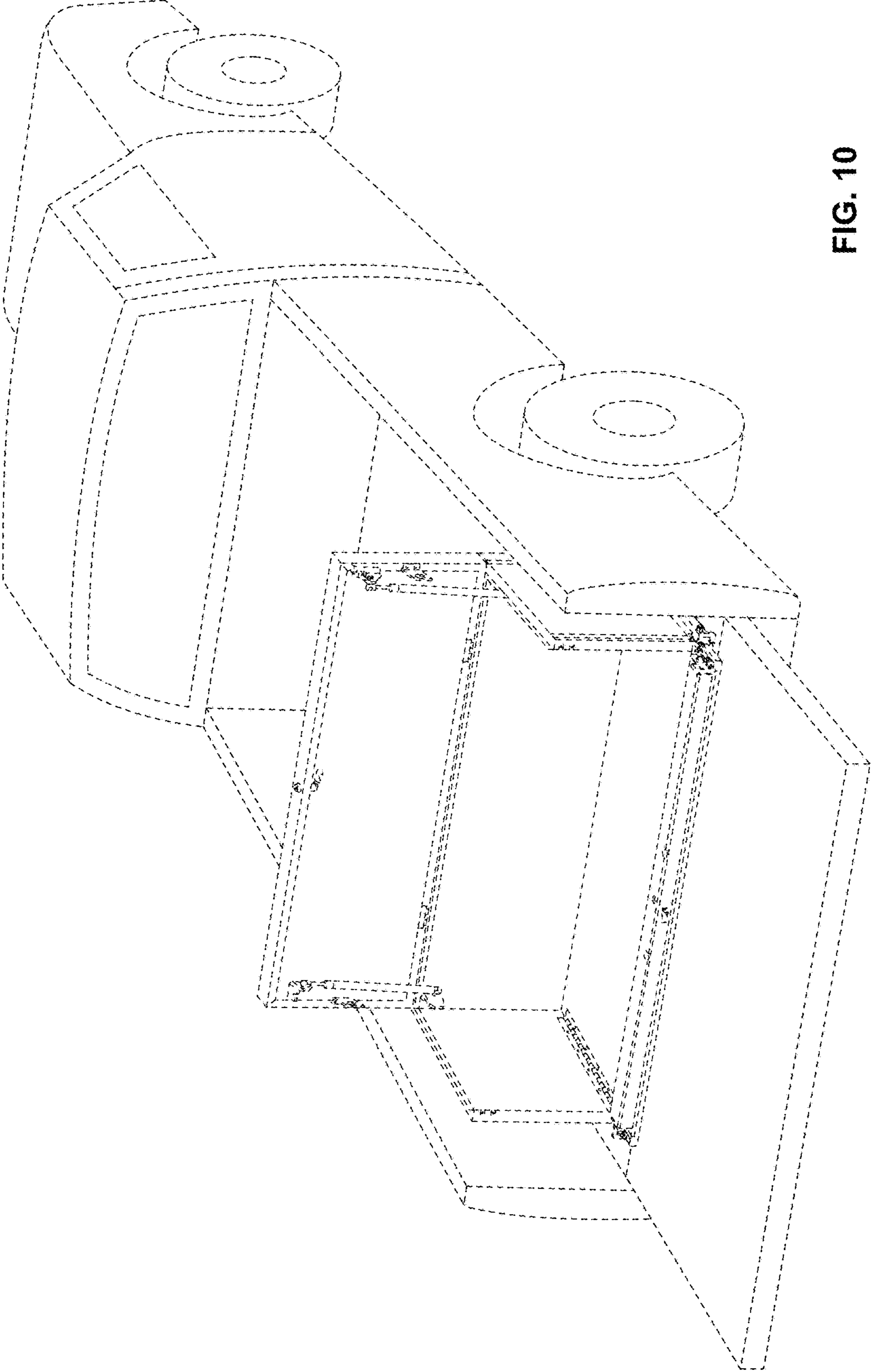


FIG. 10

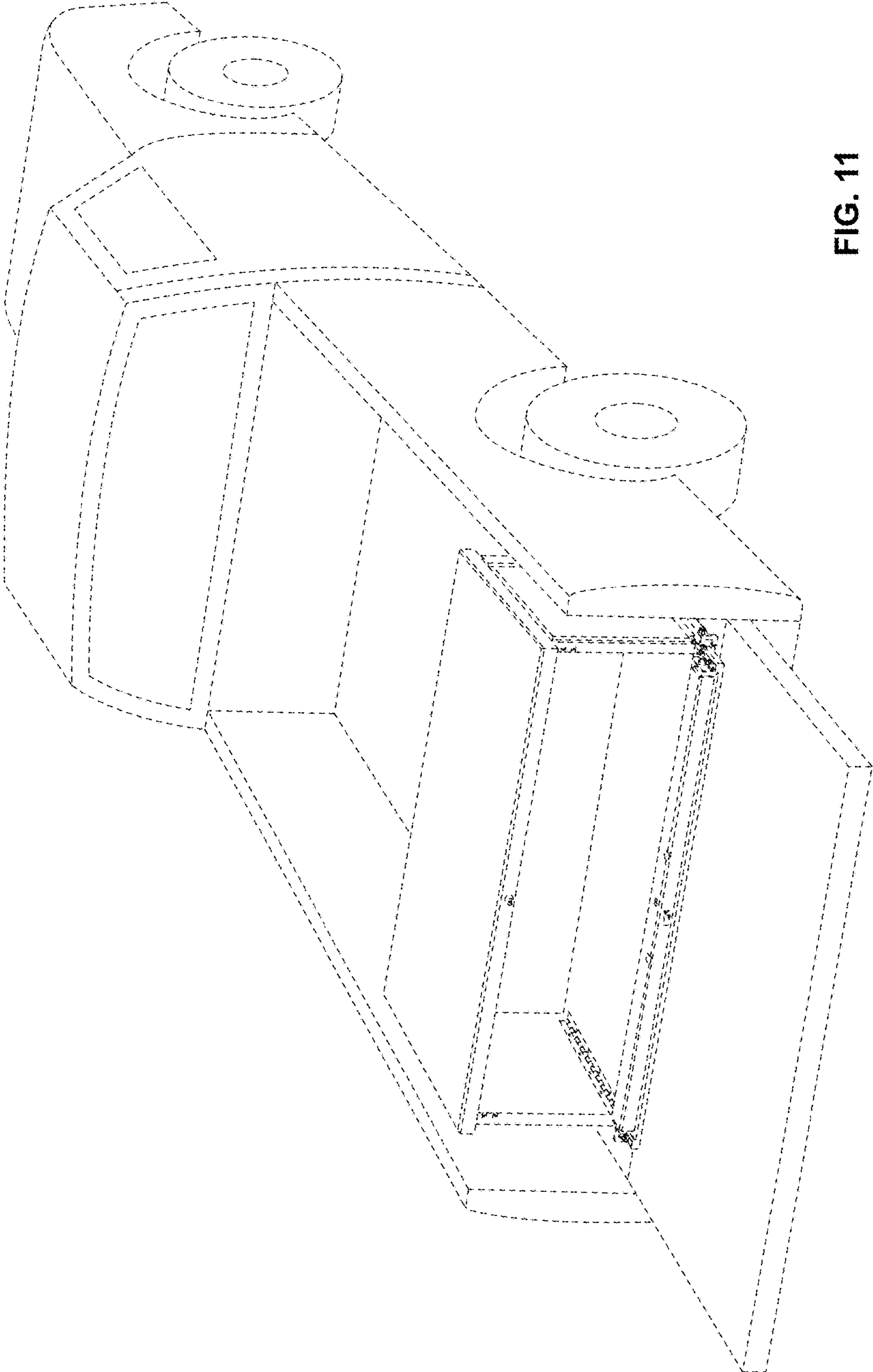


FIG. 11