



US00D818419S

(12) **United States Design Patent** (10) **Patent No.:** **US D818,419 S**  
**Mattila** (45) **Date of Patent:** **\*\* May 22, 2018**

- (54) **BOAT**
- (71) Applicant: **Axopar Holdings Oy**, Helsinki (FI)
- (72) Inventor: **Sakari Mattila**, Helsinki (FI)
- (73) Assignee: **Axopar Holdings Oy**, Helsinki (FI)
- (\*\*) Term: **15 Years**
- (21) Appl. No.: **29/549,923**
- (22) Filed: **Dec. 29, 2015**
- (51) **LOC (11) Cl.** ..... **12-06**
- (52) **U.S. Cl.**  
USPC ..... **D12/300**
- (58) **Field of Classification Search**  
USPC ..... D12/300, 302, 303, 304, 307, 310–314,  
D12/316, 317; 114/39.11–39.15,  
114/39.21–39.32, 61.1, 61.2, 61.32,  
114/61.33, 62, 355–358, 271, 273, 283,  
114/288–292, 343, 363; 440/27, 35  
CPC ..... B63B 17/00; B63B 17/02; B63B 35/81;  
B63B 35/816; B62B 21/04  
See application file for complete search history.

(56) **References Cited**

**U.S. PATENT DOCUMENTS**

- D315,137 S \* 3/1991 Runte ..... D12/303
- D315,892 S \* 4/1991 Tollefson ..... D12/315
- D329,038 S \* 9/1992 Dekker ..... D12/313
- D429,682 S \* 8/2000 Garland ..... D12/300
- 6,474,253 B1 \* 11/2002 Molz ..... B63B 21/56  
114/251
- D488,841 S \* 4/2004 Yuen ..... D21/542
- D506,430 S \* 6/2005 de Rover ..... D12/300
- D524,714 S \* 7/2006 Barbeito ..... D12/300
- D553,071 S \* 10/2007 de Rover ..... D12/315

- D587,641 S \* 3/2009 Bouckaert ..... D12/300
- D763,776 S \* 8/2016 Braver ..... D12/300
- D764,376 S \* 8/2016 Braver ..... D12/300

**OTHER PUBLICATIONS**

Axopar Boats Brochure: pp. 1-20, published Sep. 24, 2014, Axopar Boats 2014.  
 Elias Johansson, Axopar 28—prisad och prispressad designdröm [online], [retrieved Mar. 29, 2016], Retrieved from Internet <URL: <http://www.hamnen.se/artiklar/motorbatar/axopar-28-prispressad-designdroem.html>>, published Feb. 24, 2014; 5 color sheets.  
 Photograph of product, publication date unknown but prior to the filing date of the present application.

\* cited by examiner

*Primary Examiner* — Cynthia M Chin

(74) *Attorney, Agent, or Firm* — Banner & Witcoff, Ltd.

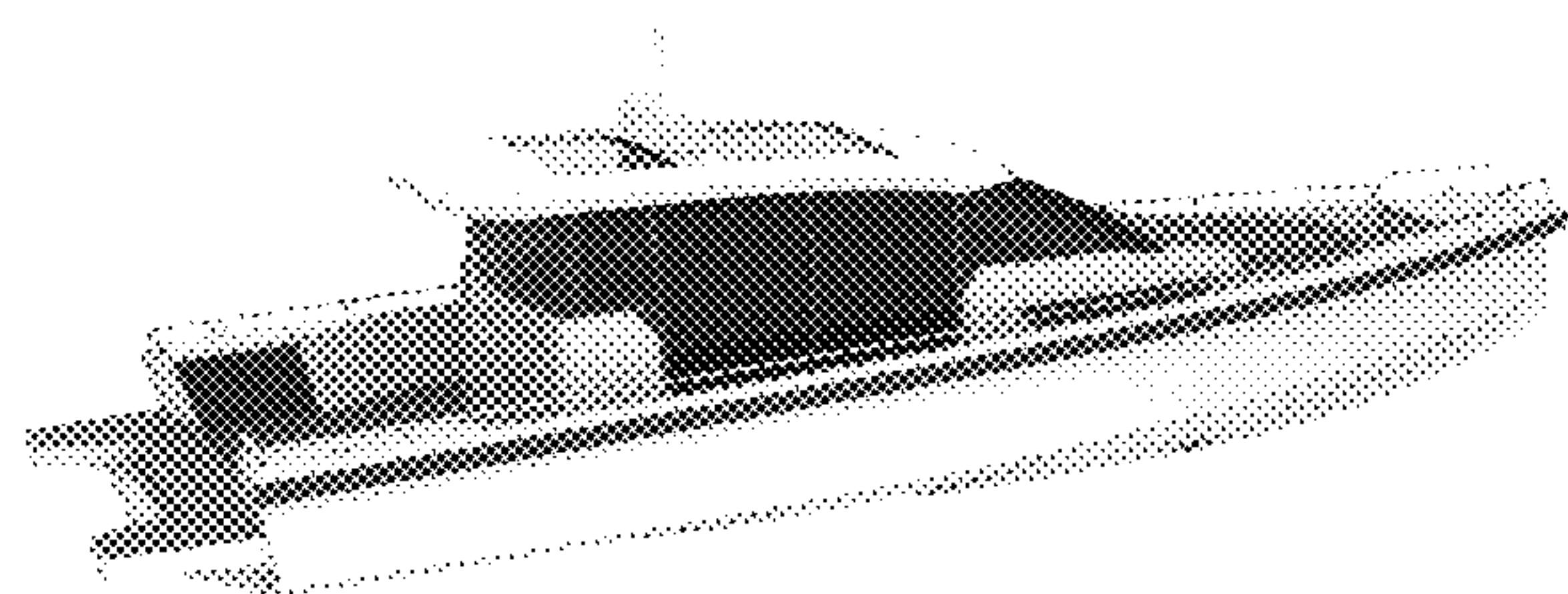
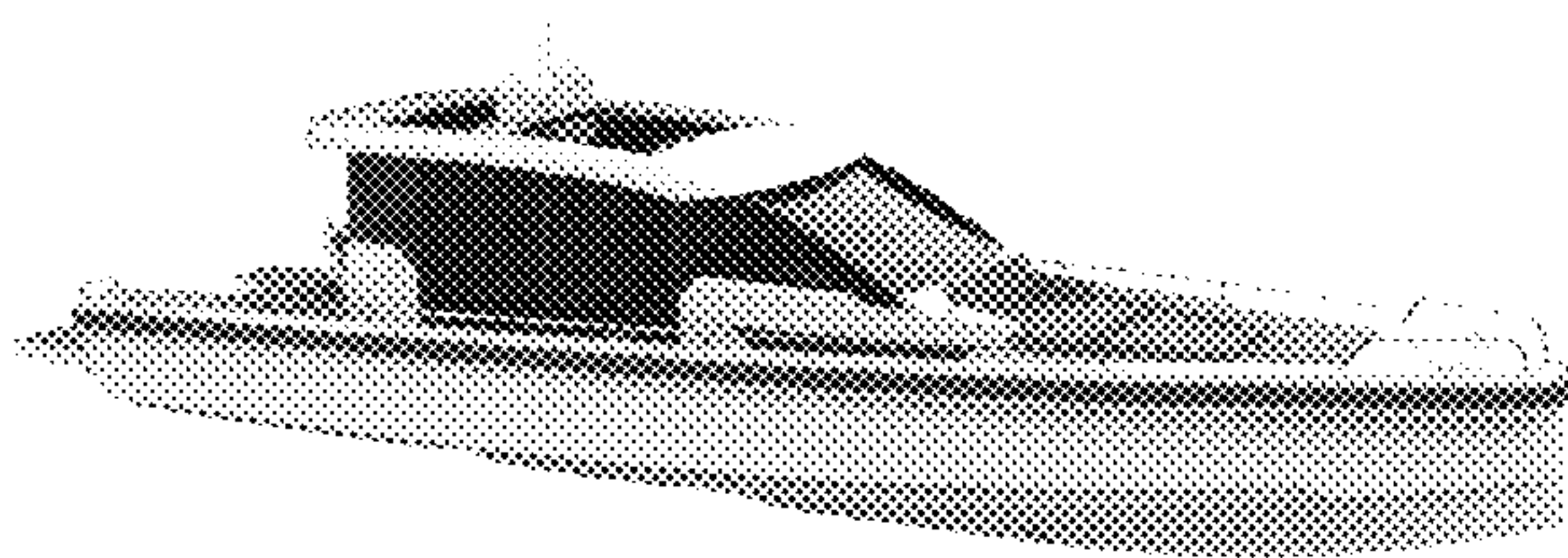
(57) **CLAIM**

The ornamental design for a boat, as shown and described.

**DESCRIPTION**

FIG. 1 is a perspective front view of a boat showing my new design;  
 FIG. 2 is a perspective rear view thereof;  
 FIG. 3 is a right side view thereof;  
 FIG. 4 is a left side view thereof;  
 FIG. 5 is a top plan view thereof;  
 FIG. 6 is a front view thereof;  
 FIG. 7 is a rear view thereof; and,  
 FIG. 8 is a bottom view thereof.  
 Gray scale images of a boat are shown in the figures. The contrast in gray scale represents a contrast in appearance only and does not represent any particular color, material, texture or finish.

**1 Claim, 4 Drawing Sheets**



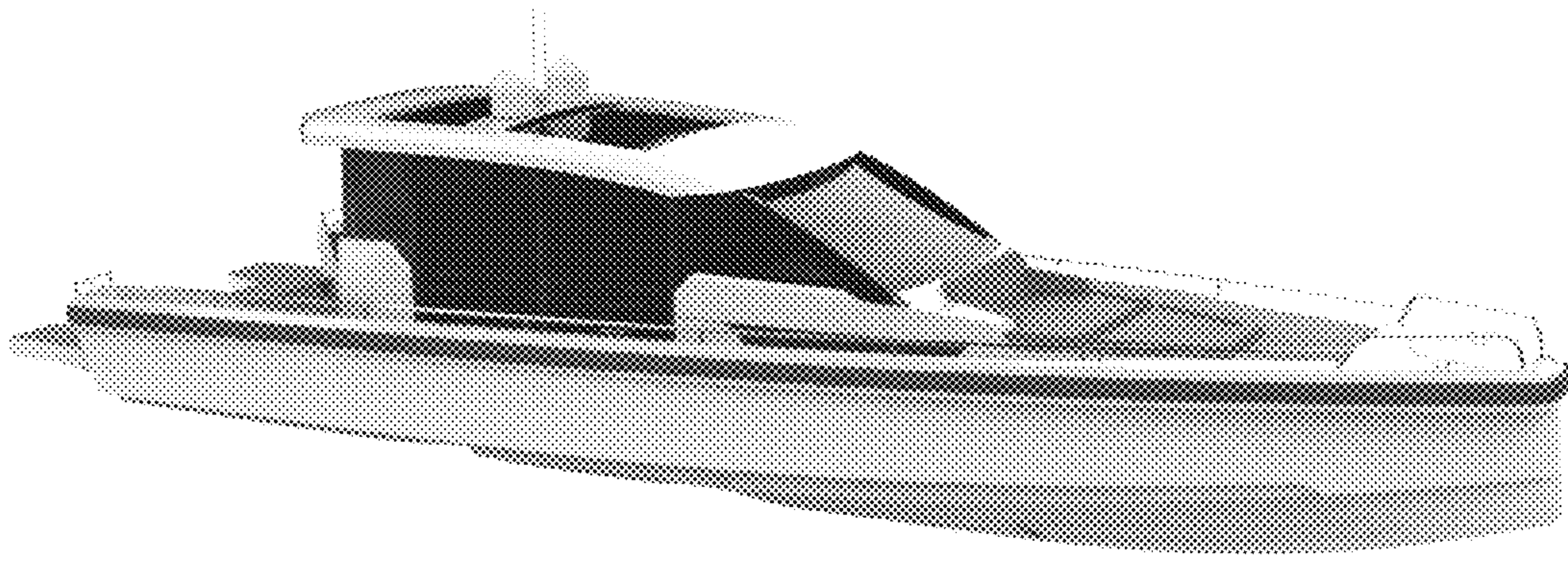


FIG. 1

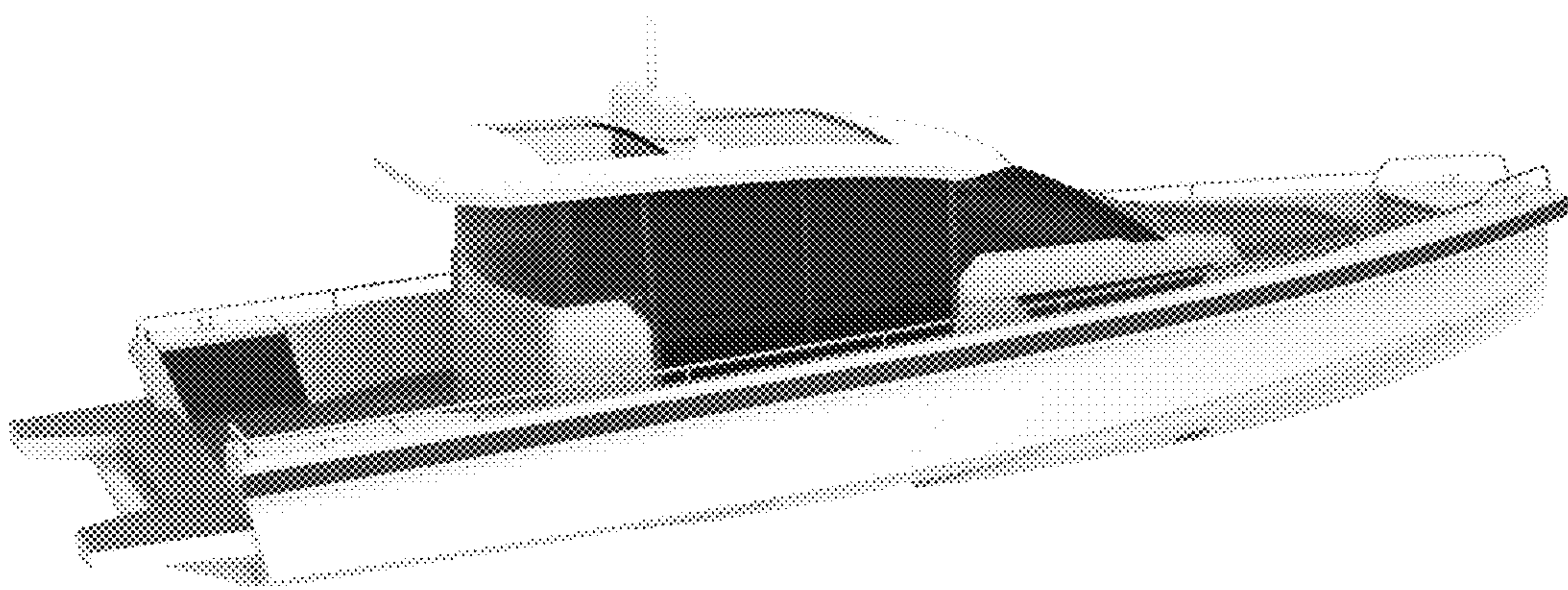


FIG. 2



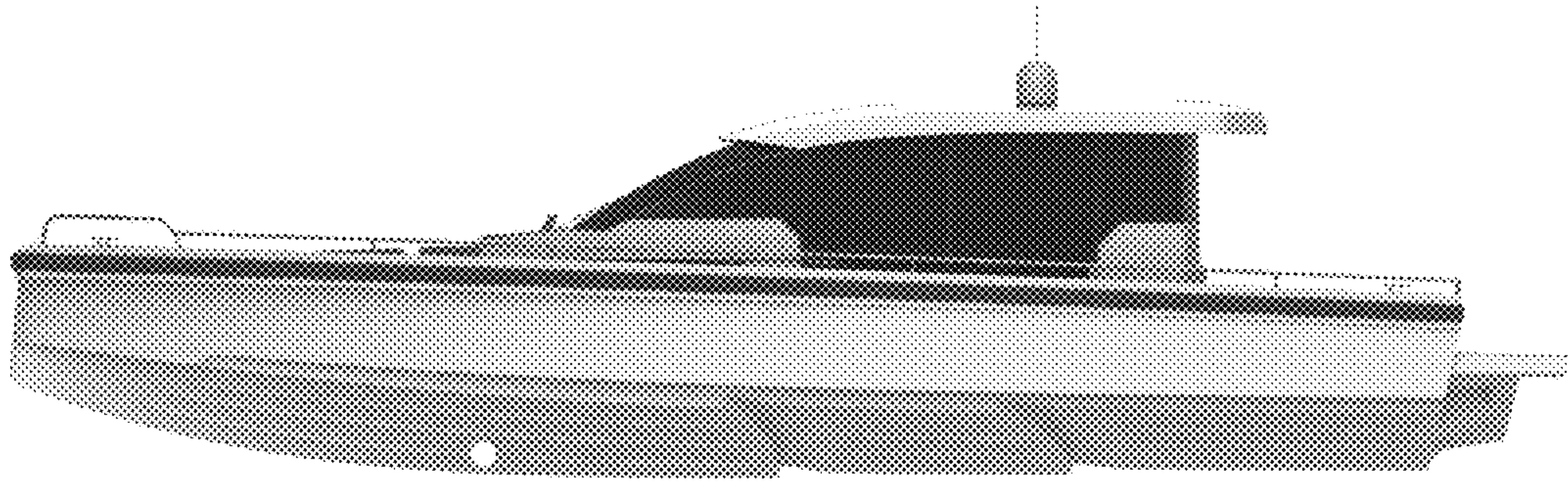


FIG. 3

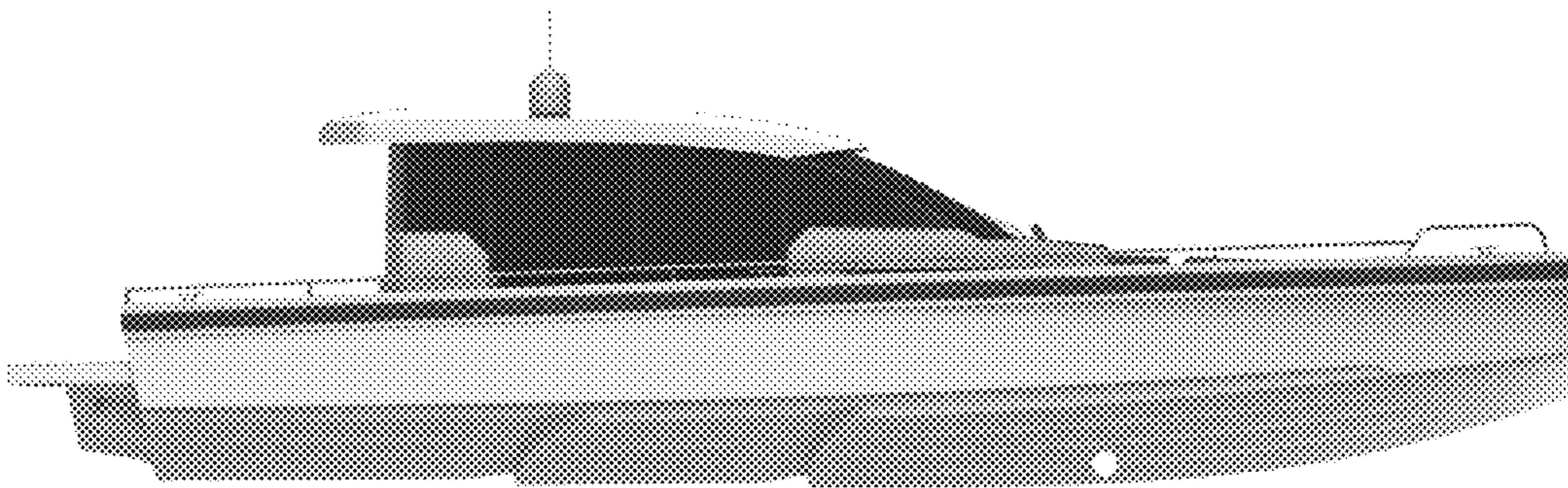


FIG. 4

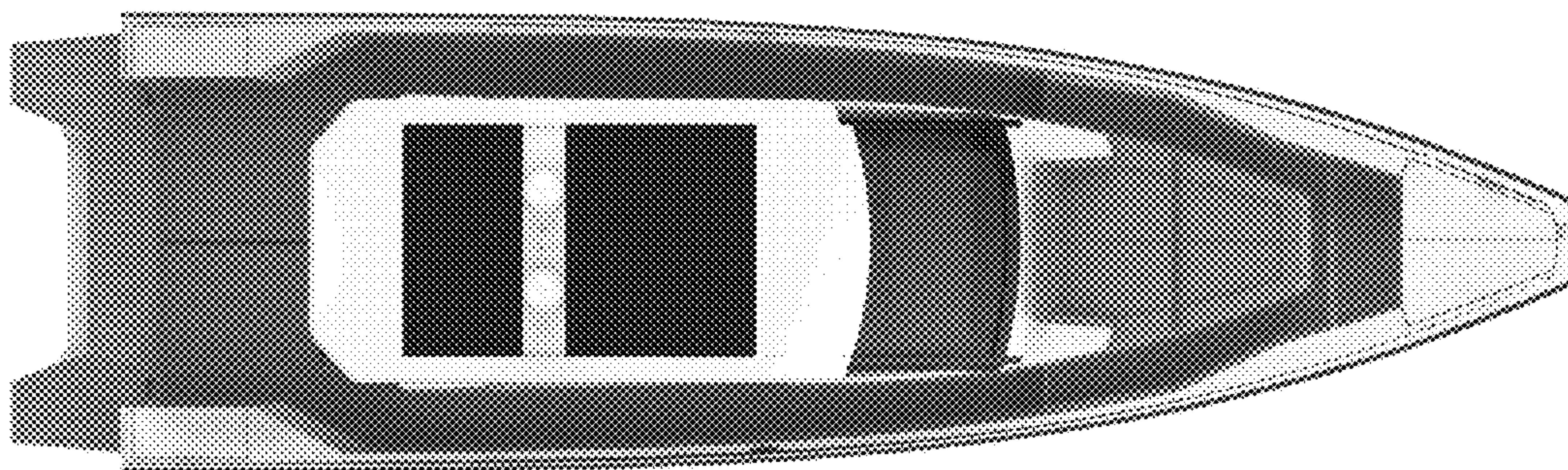


FIG. 5

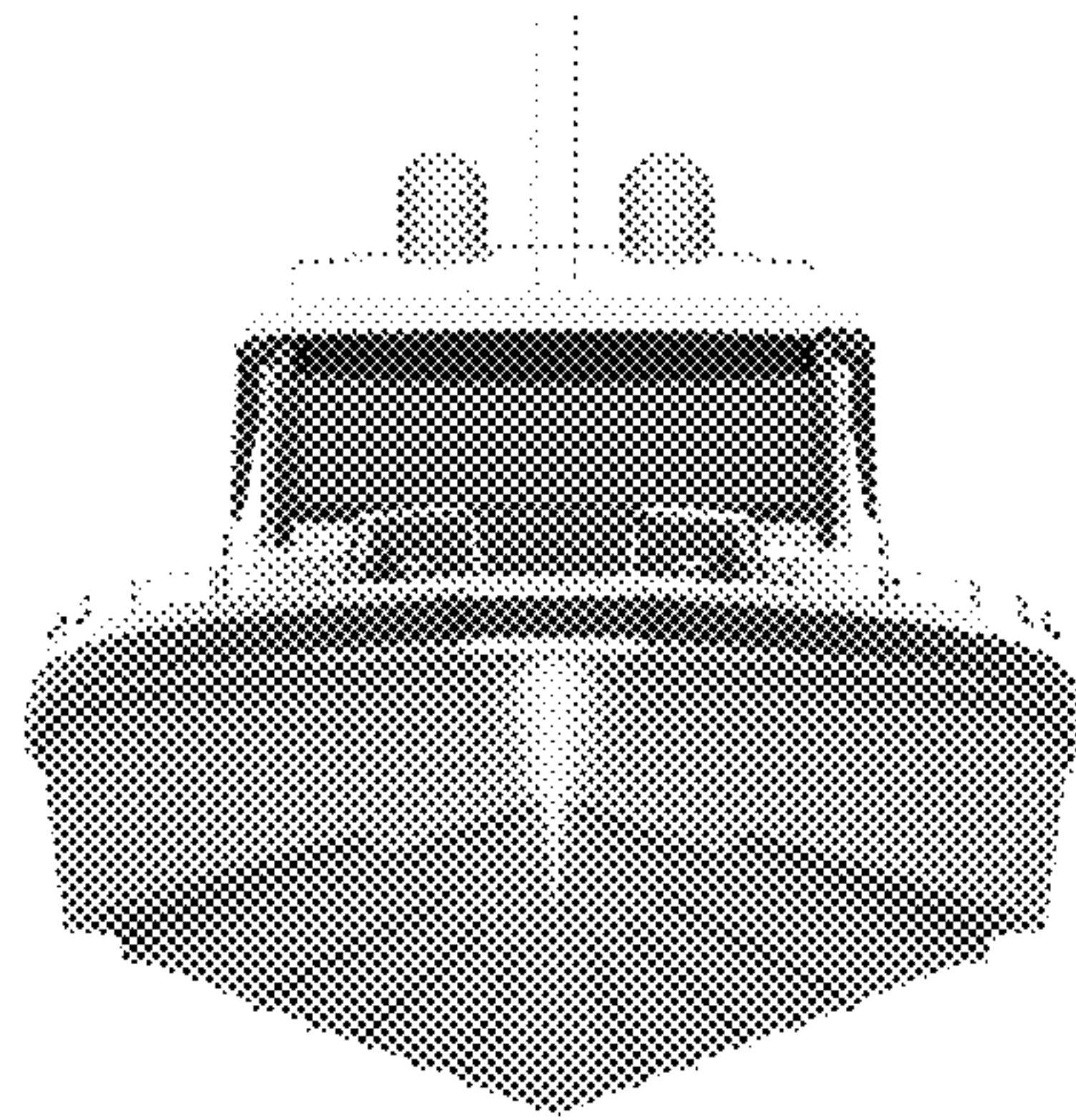


FIG. 6

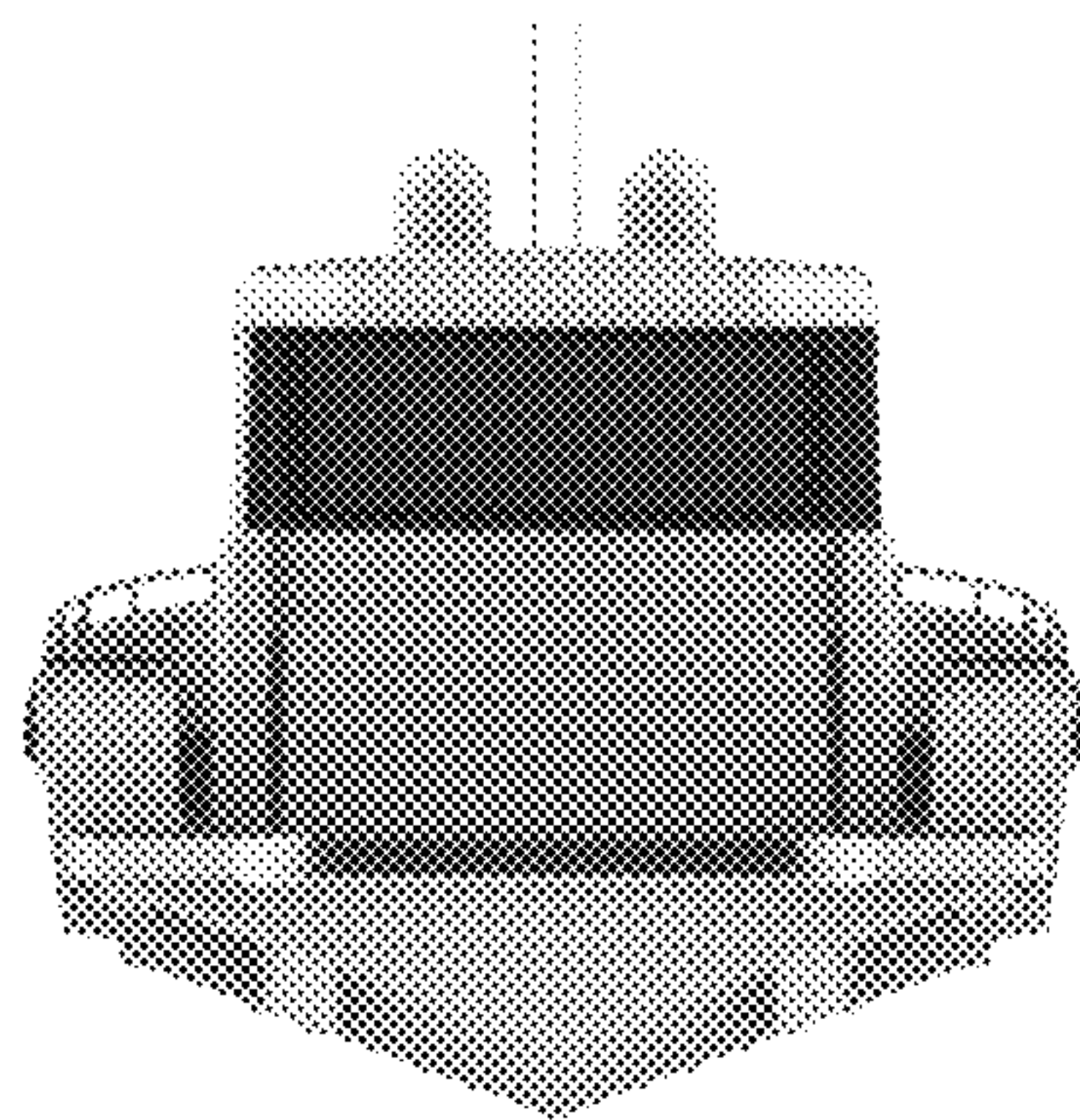


FIG. 7



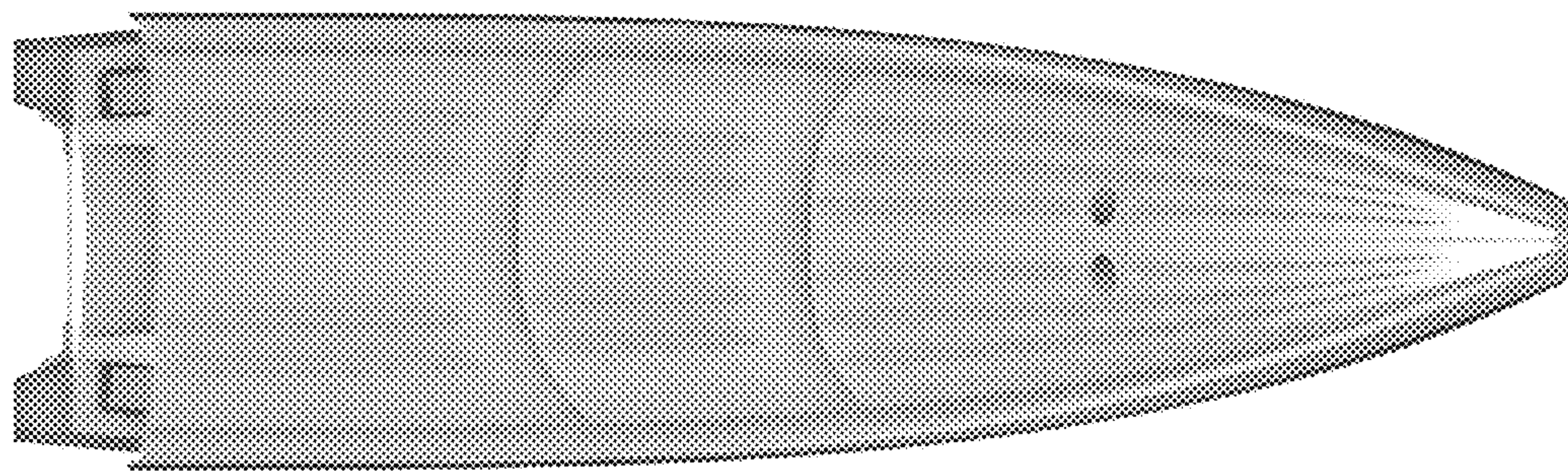


FIG. 8