



US00D818416S

(12) **United States Design Patent** (10) **Patent No.:** **US D818,416 S**  
**Mattila** (45) **Date of Patent:** **\*\* May 22, 2018**

- (54) **BOAT**
- (71) Applicant: **Axopar Holdings Oy**, Helsinki (FI)
- (72) Inventor: **Sakari Mattila**, Helsinki (FI)
- (73) Assignee: **Axopar Holdings Oy**, Helsinki (FI)
- (\*\*) Term: **15 Years**
- (21) Appl. No.: **29/549,912**
- (22) Filed: **Dec. 29, 2015**
- (51) **LOC (11) Cl.** ..... **12-06**
- (52) **U.S. Cl.**  
USPC ..... **D12/300**
- (58) **Field of Classification Search**  
USPC ..... D12/300, 302, 303, 304, 307, 310–314,  
D12/316, 317; 114/39.11–39.15,  
114/39.21–39.32, 61.1, 61.2, 61.32,  
114/61.33, 62, 355–358, 271, 273, 283,  
114/288–292, 343, 363; 440/27, 35  
CPC ..... B63B 17/00; B63B 17/02; B63B 35/81;  
B63B 35/816; B62B 21/04  
See application file for complete search history.

(56) **References Cited**

**U.S. PATENT DOCUMENTS**

D315,137 S *	3/1991	Runte .....	D12/303
D315,892 S *	4/1991	Tollefson .....	D12/315
D329,038 S *	9/1992	Dekker .....	D12/313
D429,682 S *	8/2000	Garland .....	D12/300
6,474,253 B1 *	11/2002	Molz .....	B63B 21/56 114/251
D488,841 S *	4/2004	Yuen .....	D21/542
D506,430 S *	6/2005	de Rover .....	D12/300
D524,714 S *	7/2006	Barbeito .....	D12/300
D553,071 S *	10/2007	de Rover .....	D12/315

D587,641 S *	3/2009	Bouckaert .....	D12/300
D763,776 S *	8/2016	Braver .....	D12/300
D764,376 S *	8/2016	Braver .....	D12/300

**OTHER PUBLICATIONS**

Axopar Boats Brochure: pp. 1-20, published Sep. 24, 2014, Axopar Boats 2014.  
 Elias Johansson, Axopar 28—prisad och prispressad designdröm [online], [retrieved Mar. 29, 2016], Retrieved from Internet <URL: <http://www.hamnen.se/artiklar/motorbatar/axopar-28-prispressad-designdroem.html>>, published Feb. 24, 2014; 5 color sheets.  
 Photograph of product, publication date unknown but prior to the filing date of the present application.

\* cited by examiner

*Primary Examiner* — Cynthia M Chin

(74) *Attorney, Agent, or Firm* — Banner & Witcoff, Ltd.

(57) **CLAIM**

The ornamental design for a boat, as shown and described.

**DESCRIPTION**

FIG. 1 is a perspective front view of a boat showing my new design;  
 FIG. 2 is a perspective rear view thereof;  
 FIG. 3 is a right side view thereof;  
 FIG. 4 is a left side view thereof;  
 FIG. 5 is a top plan view thereof;  
 FIG. 6 is a front view thereof;  
 FIG. 7 is a rear view thereof; and,  
 FIG. 8 is a bottom view thereof.  
 Gray scale images of a boat are shown in the figures. The contrast in gray scale represents a contrast in appearance only and does not represent any particular color, material, texture or finish.

**1 Claim, 4 Drawing Sheets**

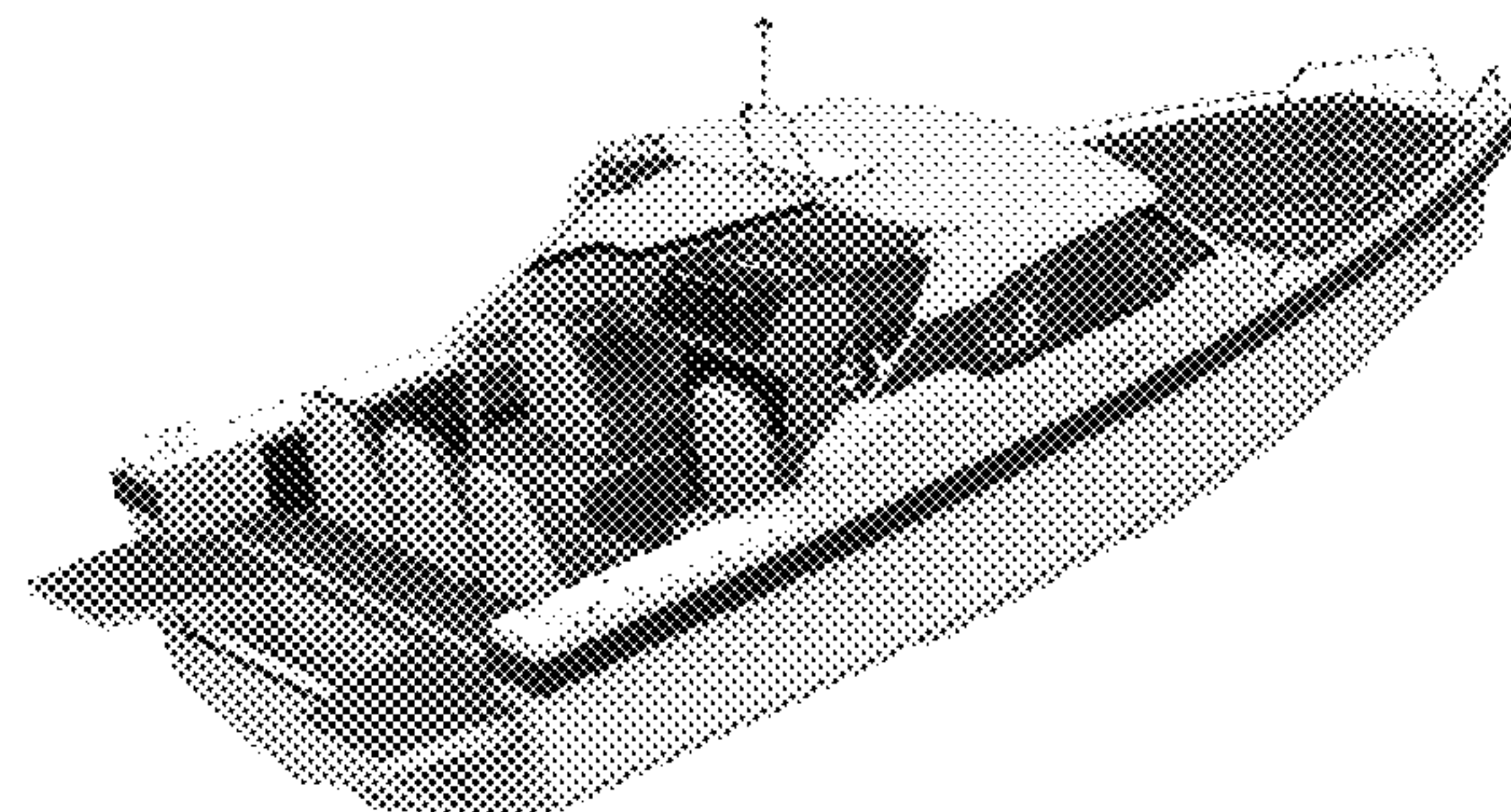
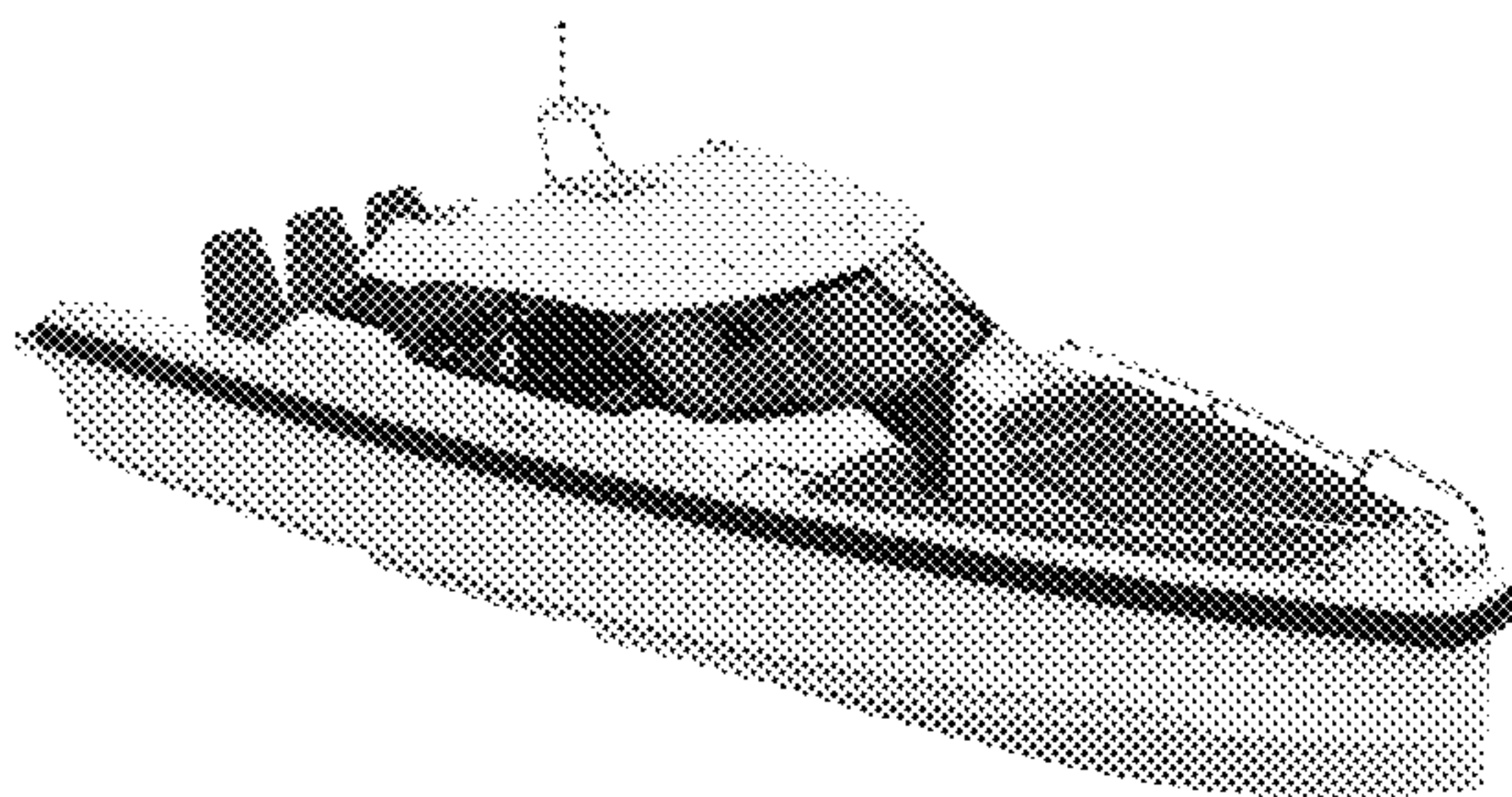






FIG. 1

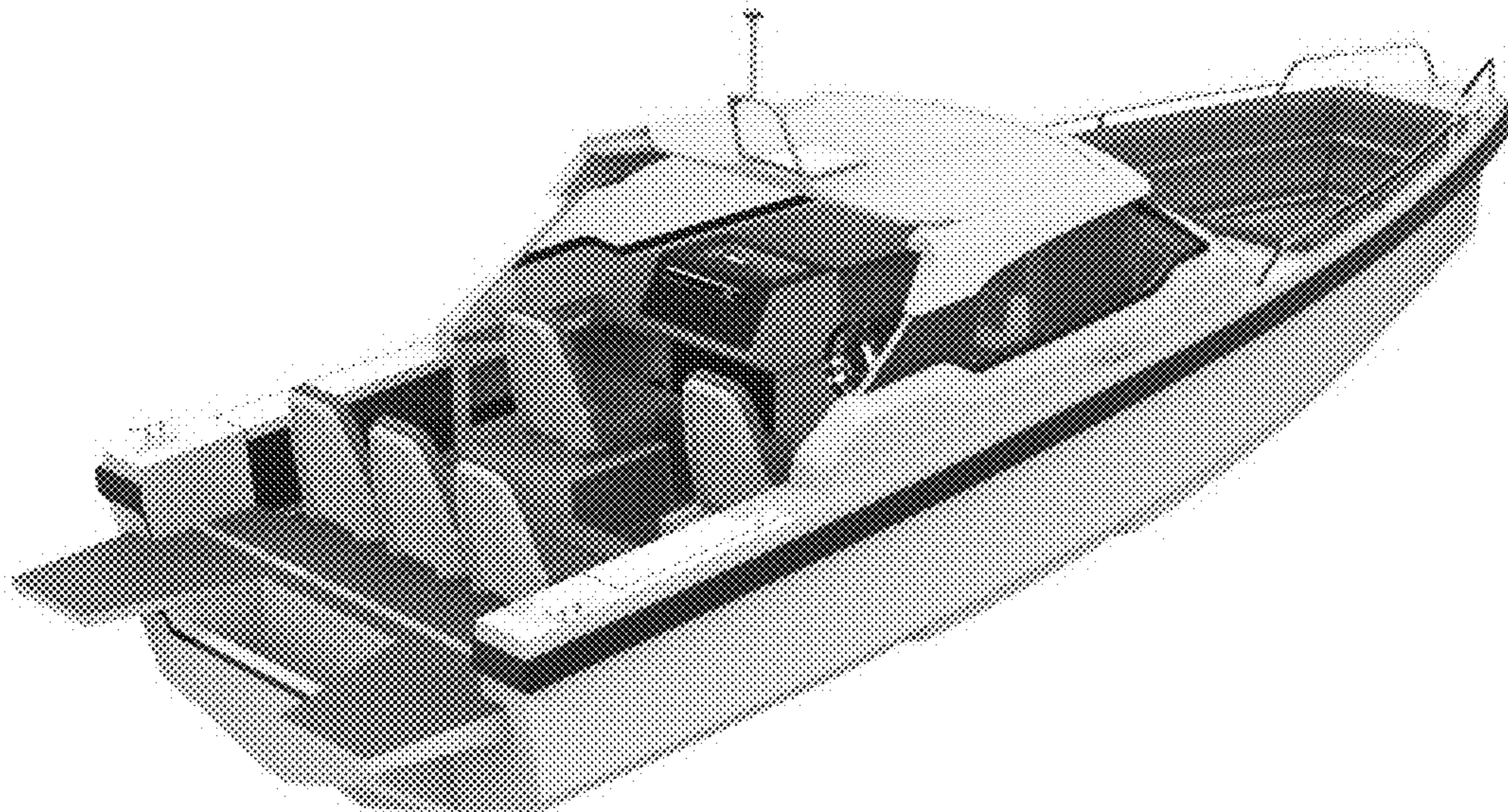


FIG. 2



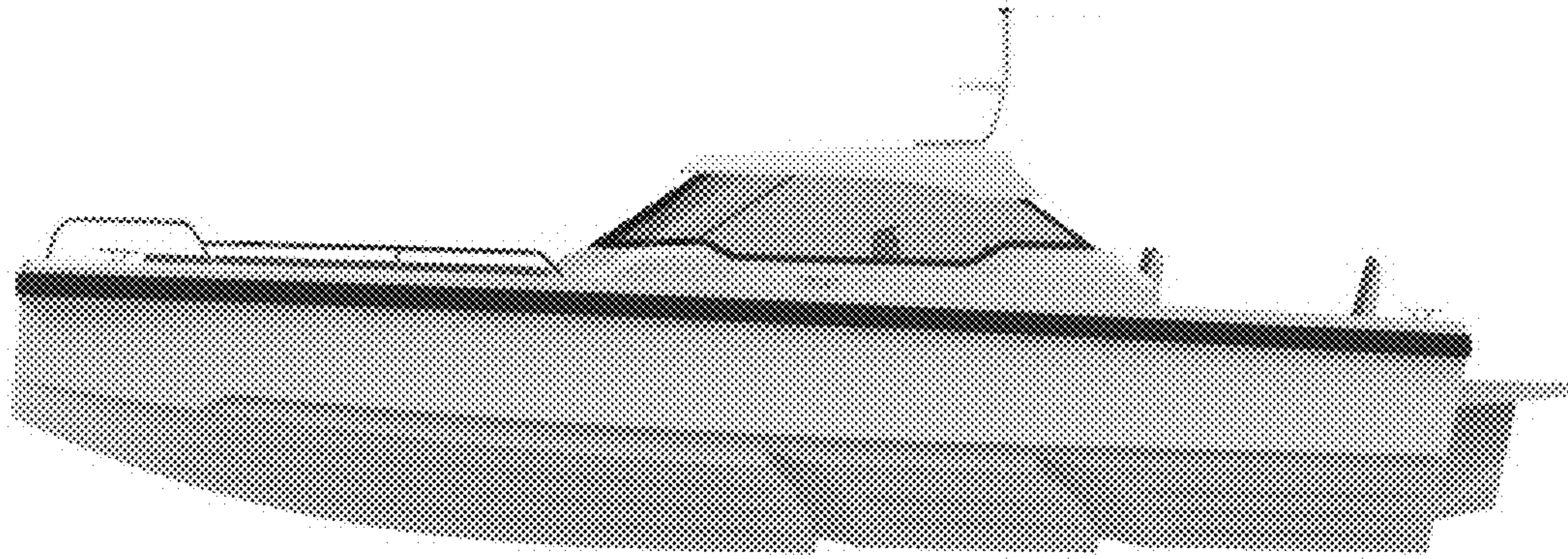


FIG. 3

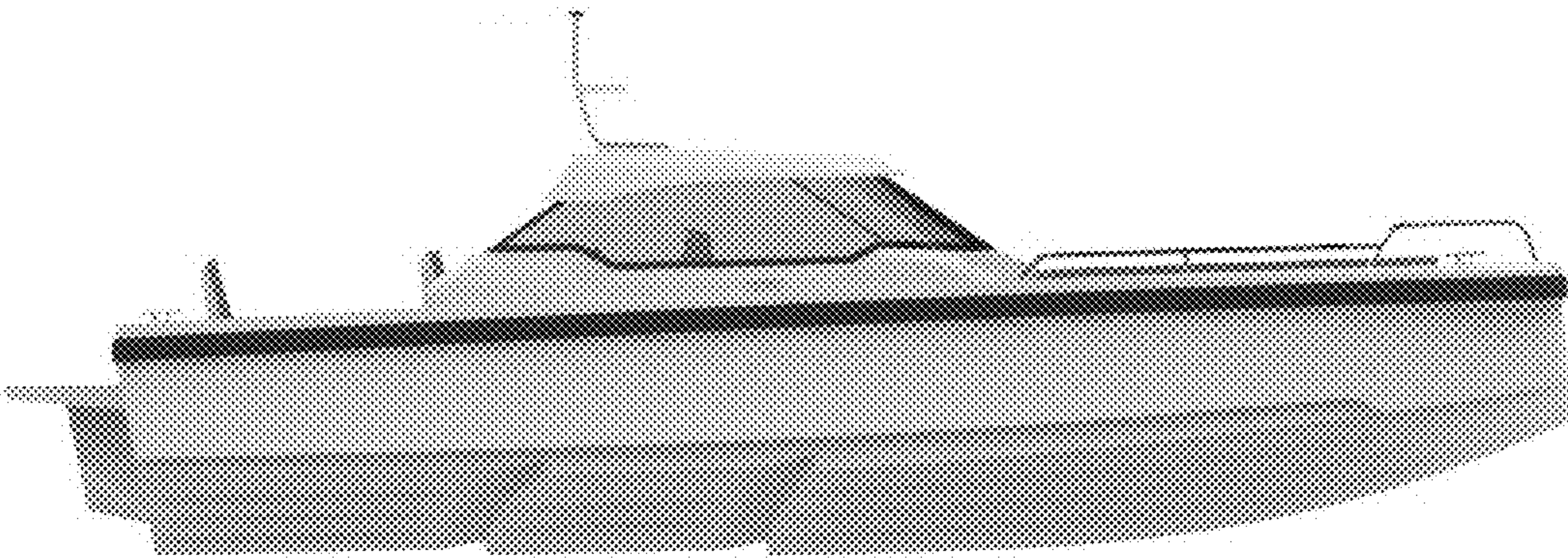


FIG. 4

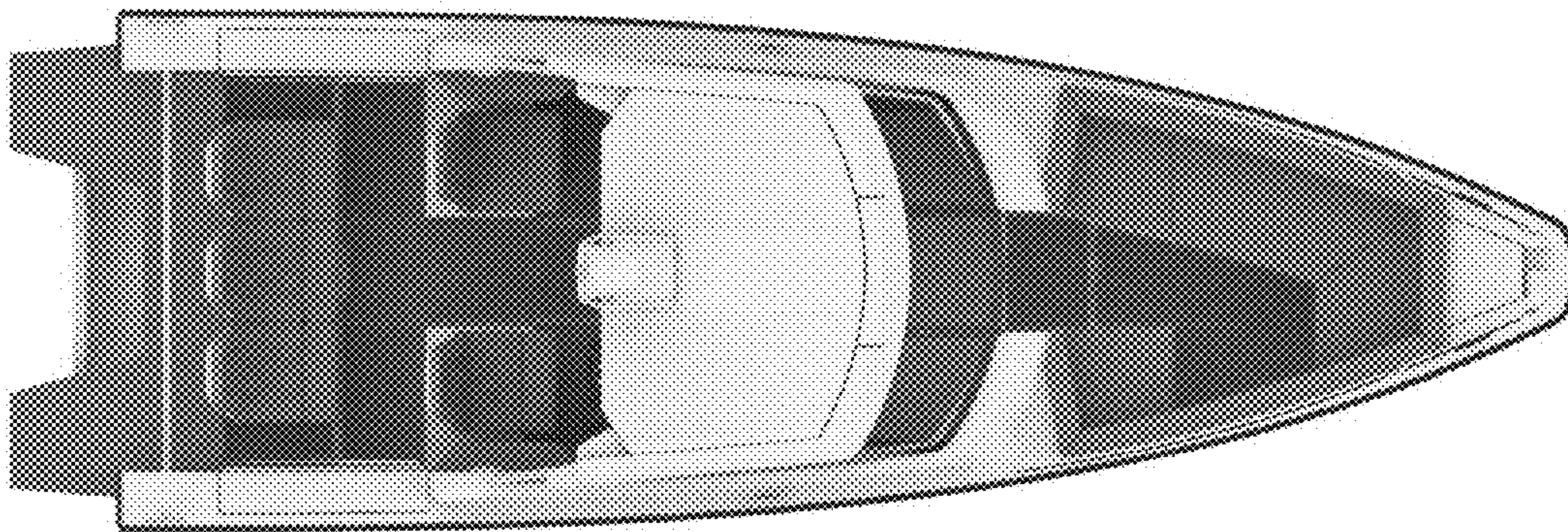


FIG. 5



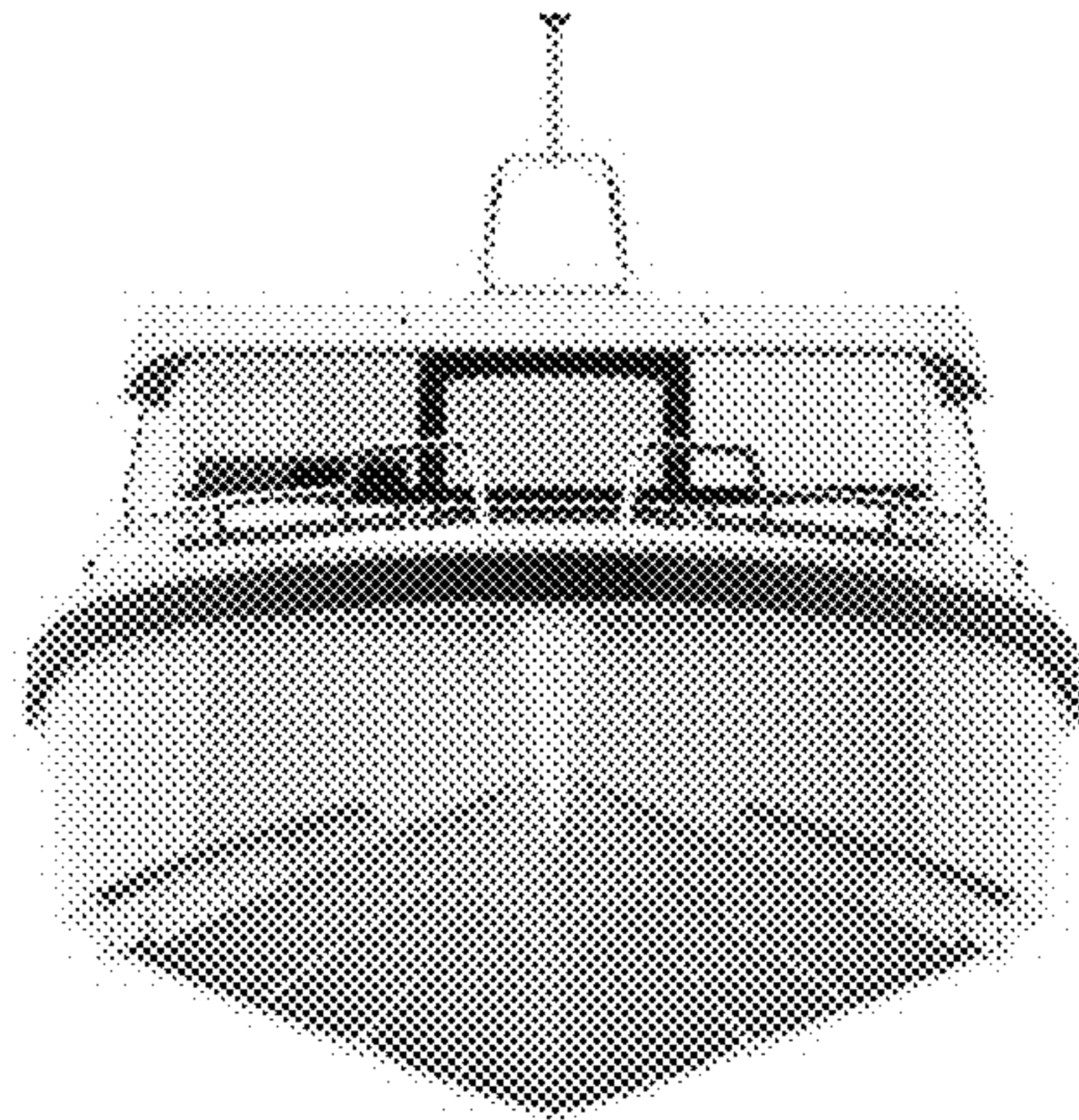


FIG. 6

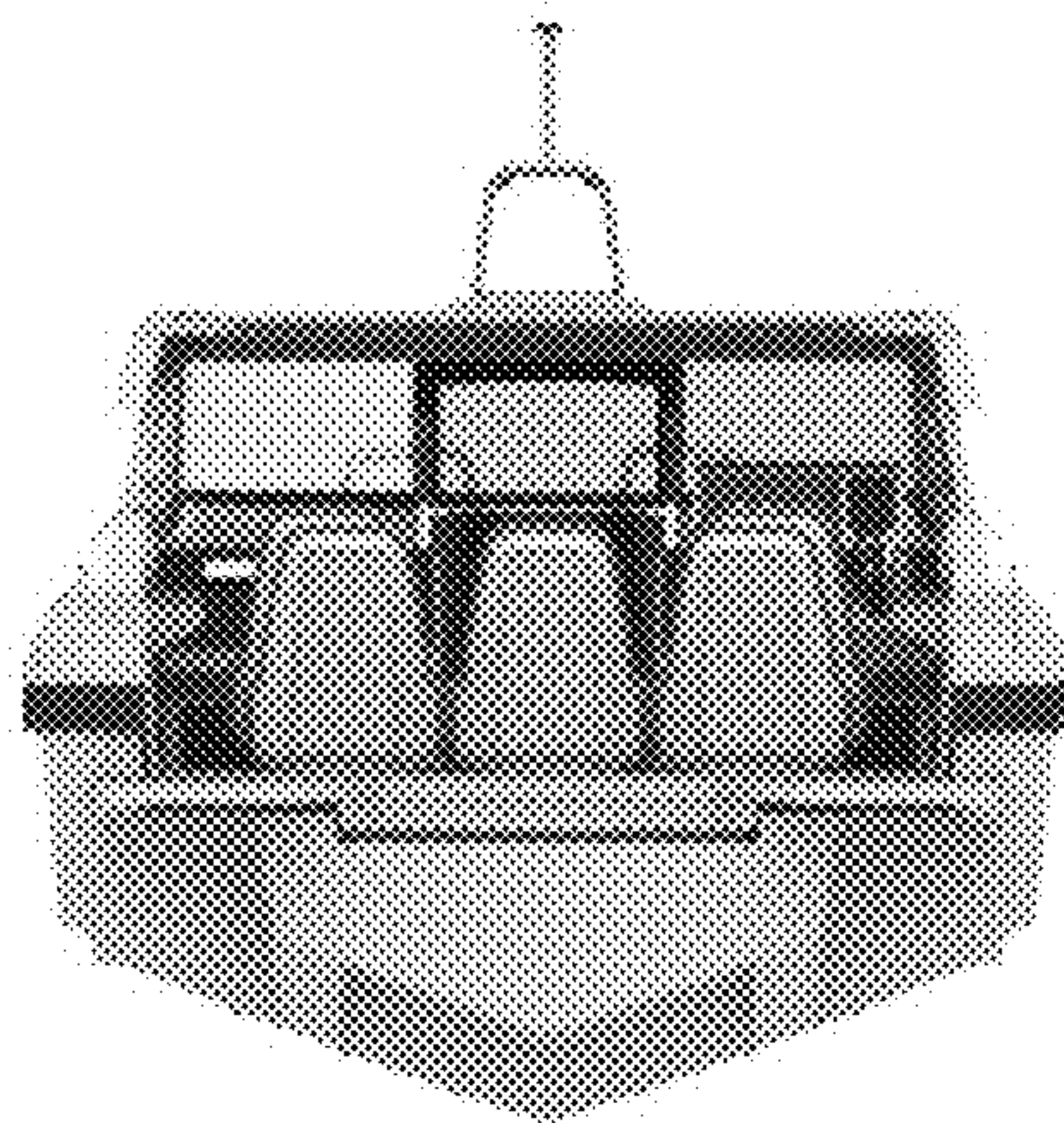


FIG. 7

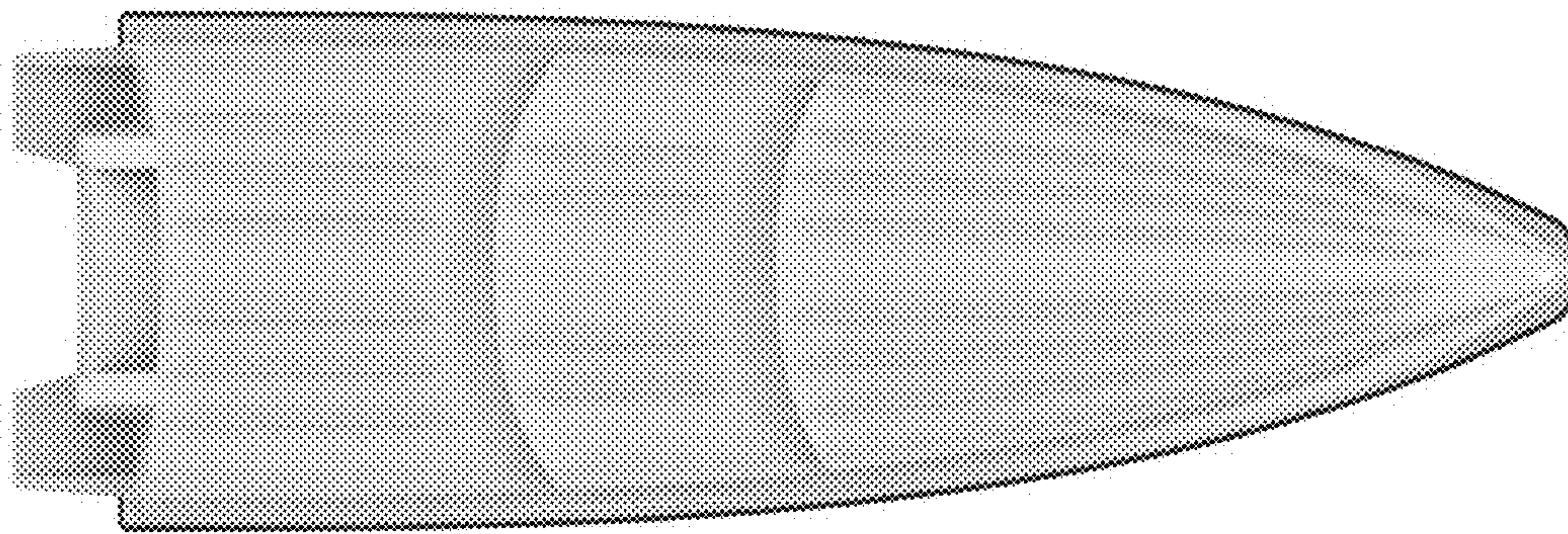


FIG. 8