



US00D818415S

(12) **United States Design Patent** (10) **Patent No.:** **US D818,415 S**
Haws (45) **Date of Patent:** **** May 22, 2018**

(54) **FAIRING SUPPORT STRUT**

(71) Applicant: **Laydon Composites Ltd.**, Oakville (CA)

(72) Inventor: **James D. Haws**, Oakville (CA)

(73) Assignee: **Laydon Composites Ltd.**, Oakville, ON (CA)

(**) Term: **15 Years**

(21) Appl. No.: **29/531,244**

(22) Filed: **Jun. 24, 2015**

(51) **LOC (11) Cl.** **12-06**

(52) **U.S. Cl.**
USPC **D12/223**

(58) **Field of Classification Search**
USPC D12/223, 400, 174, 179, 180, 217, 106, D12/412

(Continued)

(56) **References Cited**

U.S. PATENT DOCUMENTS

1,281,531 A 10/1918 Dietrich
1,658,956 A 2/1928 Wehr

(Continued)

Primary Examiner — Sandra S Snapp

Assistant Examiner — Ieisha N Price

(74) *Attorney, Agent, or Firm* — Manelli Selter PLLC;
Edward J. Stemberger

(57) **CLAIM**

The ornamental design for a fairing support strut, as shown and described.

DESCRIPTION

FIG. 1 is a first perspective view of the fairing support strut of the present design;

FIG. 2 is a second perspective view of the fairing support strut of the present design;

FIG. 3 is a back view of the fairing support strut of FIG. 1, thereof;

FIG. 4 is a left side view thereof;

FIG. 5 is a front view thereof;

FIG. 6 is a right side view thereof;

FIG. 7 is a top view thereof;

FIG. 8 is a bottom view thereof;

FIG. 9 is a perspective view of the components of the fairing support strut, in an exploded view;

FIG. 10 is a first perspective view of the mid-block component of the fairing support strut;

FIG. 11 is a second perspective view of the mid-block component of the fairing support strut;

FIG. 12 is a back view of the mid-block component of the fairing support strut;

FIG. 13 is left side view of the mid-block component of the fairing support strut, with the right side view being a mirror image thereof;

FIG. 14 is a front view of the mid-block component of the fairing support strut;

FIG. 15 is a top view of the mid-block component of the fairing support strut;

FIG. 16 is a bottom view of the mid-block component of the fairing support strut;

FIG. 17 is a first perspective view of the post component of the fairing support strut;

FIG. 18 is a second perspective view of the post component of the fairing support strut;

FIG. 19 is a back view of the post component of the fairing support strut;

FIG. 20 is a left side view of the post component of the fairing support strut;

FIG. 21 is a front view of the post component of the fairing support strut;

FIG. 22 is a right side view of the post component of the fairing support strut;

FIG. 23 is a top view of the post component of the fairing support strut;

FIG. 24 is a bottom view of the post component of the fairing support strut;

(Continued)

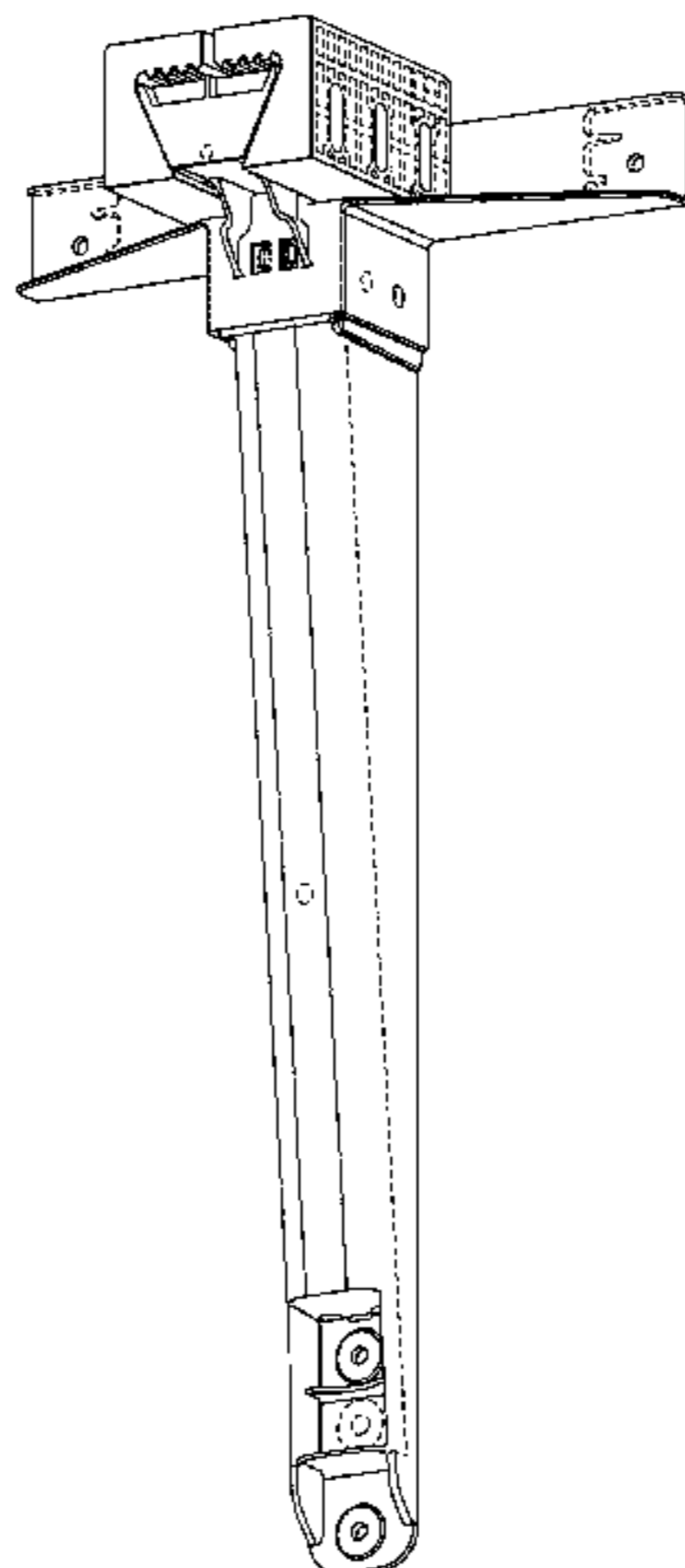


FIG. 25 is a first perspective view of one of the side block components of the fairing support strut, with a second side block component being identical to the first side block component;

FIG. 26 is a second perspective view of the side block component of the fairing support strut;

FIG. 27 is a back view of the side block component of the fairing support strut;

FIG. 28 is a left side view of the side block component of the fairing support strut;

FIG. 29 is a front view of the side block component of the fairing support strut;

FIG. 30 is a right side view of the side block component of the fairing support strut;

FIG. 31 is a top view of the side block component of the fairing support strut;

FIG. 32 is a bottom view of the side block component of the fairing support strut; and,

FIG. 33 is a perspective view of two fairing support struts installed on a truck trailer, and supporting a trailer fairing. The broken lines in the drawings are included to show the environmental structure of the fairing support strut of the present application, and form no part of the claimed design.

1 Claim, 33 Drawing Sheets

(58) **Field of Classification Search**

CPC B62D 35/001; B62D 37/02; B62D 35/00;

F16B 2/12; F16B 9/023; Y10S 180/901;
Y10S 180/903

See application file for complete search history.

(56)

References Cited

U.S. PATENT DOCUMENTS

D273,187	S	*	3/1984	Brorsson	D12/414
D279,661	S	*	7/1985	Heard	D12/106
D300,913	S	*	5/1989	Kamaya	D12/223
D301,223	S	*	5/1989	Kamaya	D12/414
D397,642	S	*	9/1998	Tolfson	D12/114
D398,564	S	*	9/1998	Patterson	D12/114
D414,307	S	*	9/1999	Quaas	D12/106
D423,414	S	*	4/2000	Carlton	D12/114
D467,221	S	*	12/2002	Walstrom	D12/408
8,191,956	B1	*	6/2012	Dixon, Jr.	B62D 35/001 296/180.1
8,608,122	B2		12/2013	Mancina		
D744,379	S	*	12/2015	Penner	D12/106
2007/0120397	A1	*	5/2007	Layfield	B62D 35/001 296/180.4
2007/0176466	A1	*	8/2007	Dolan	B62D 35/001 296/203.03
2009/0189414	A1	*	7/2009	Boivin	B62D 35/001 296/180.4
2009/0218848	A1		9/2009	Boivin		
2010/0264691	A1		10/2010	Giromini		
2012/0211617	A1	*	8/2012	Mancina	B62D 35/001 248/231.31
2014/0028050	A1	*	1/2014	Rodriguez	B62D 35/001 296/180.4
2014/0300134	A1	*	10/2014	Gerst	B62D 35/001 296/180.4

* cited by examiner

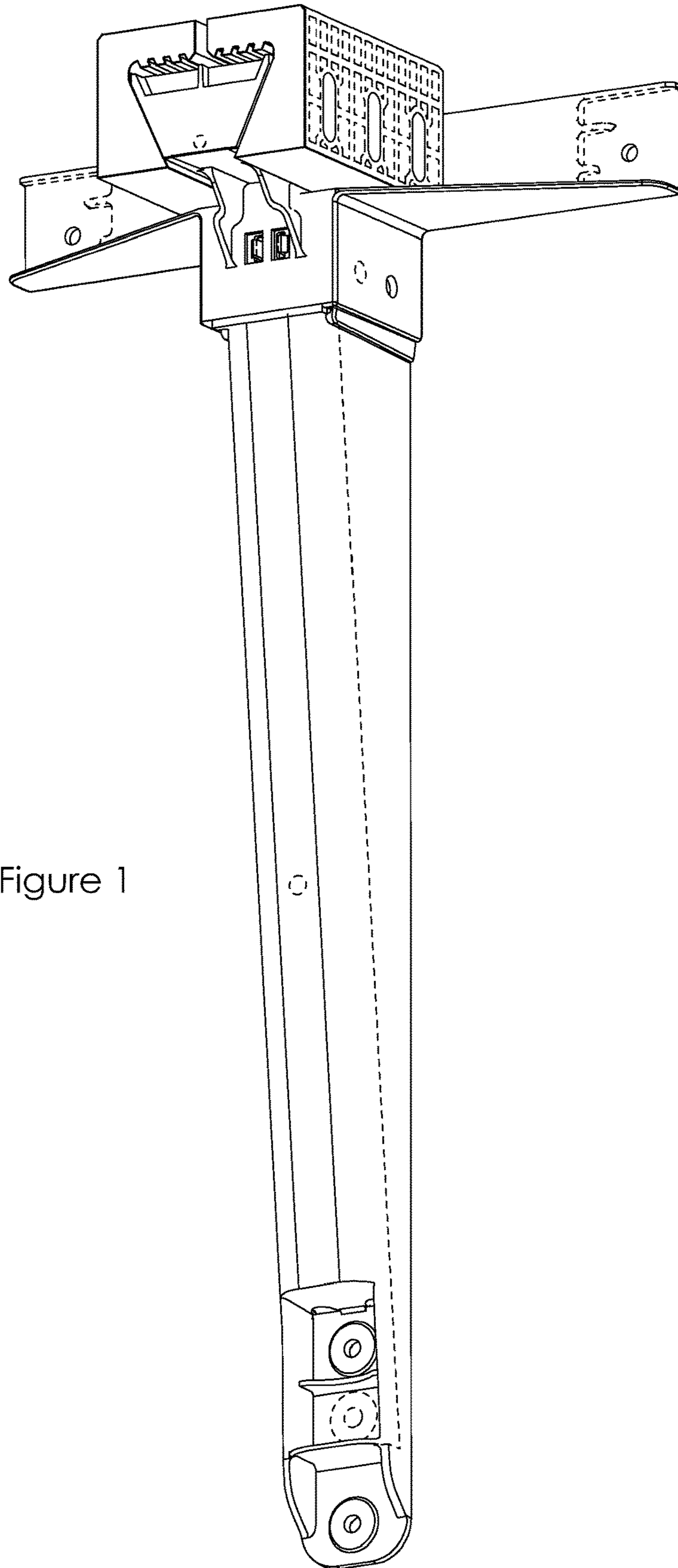


Figure 1

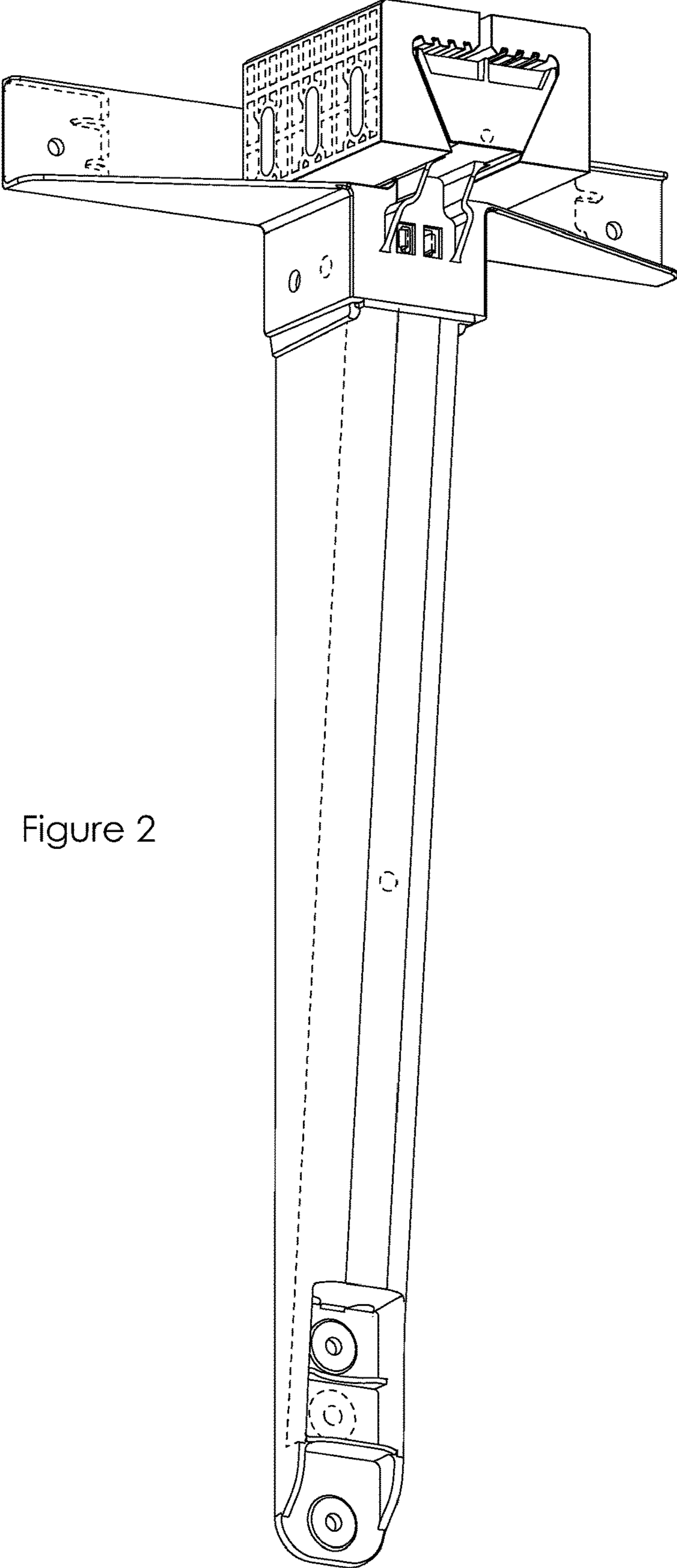


Figure 2

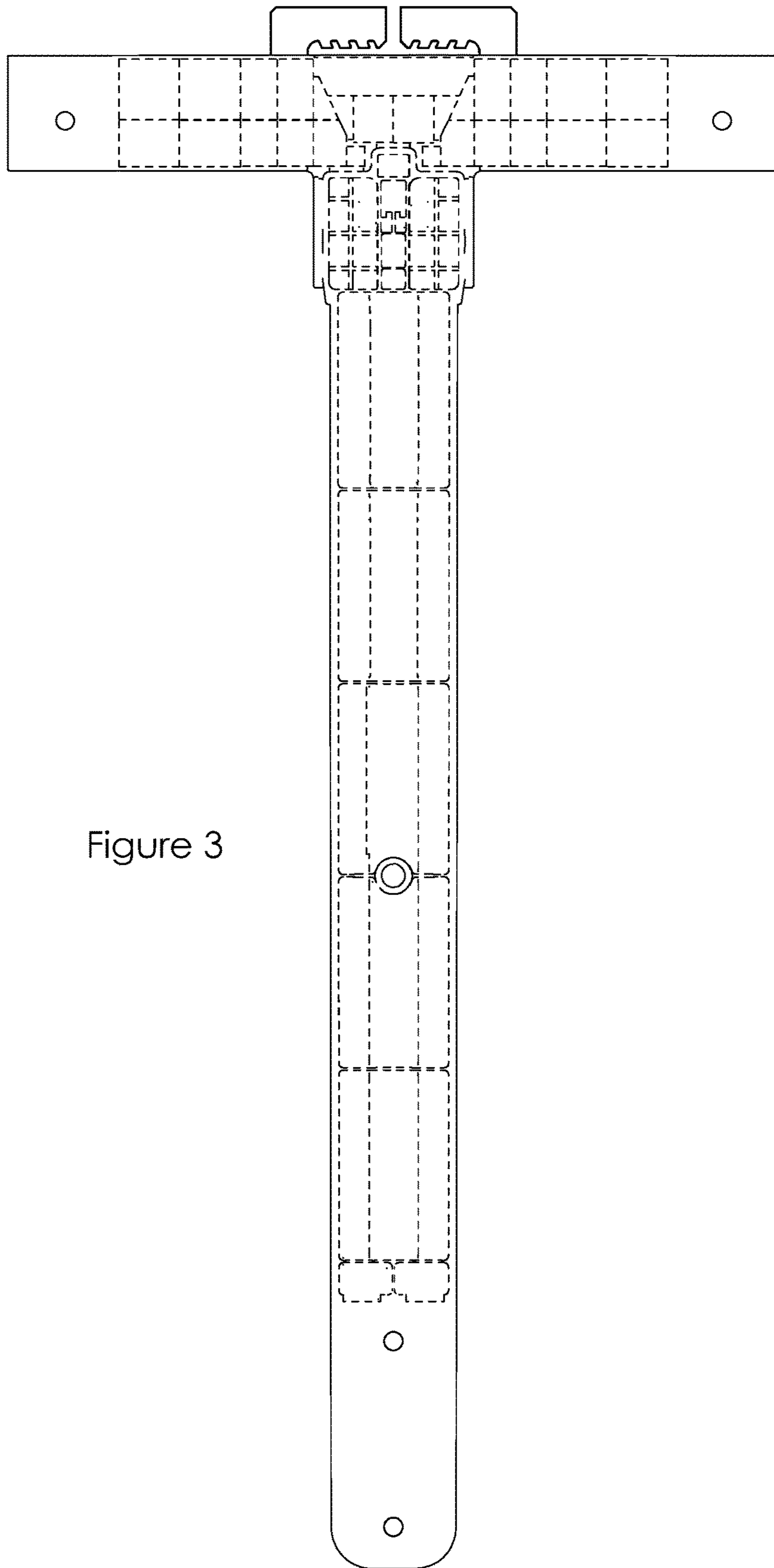


Figure 3

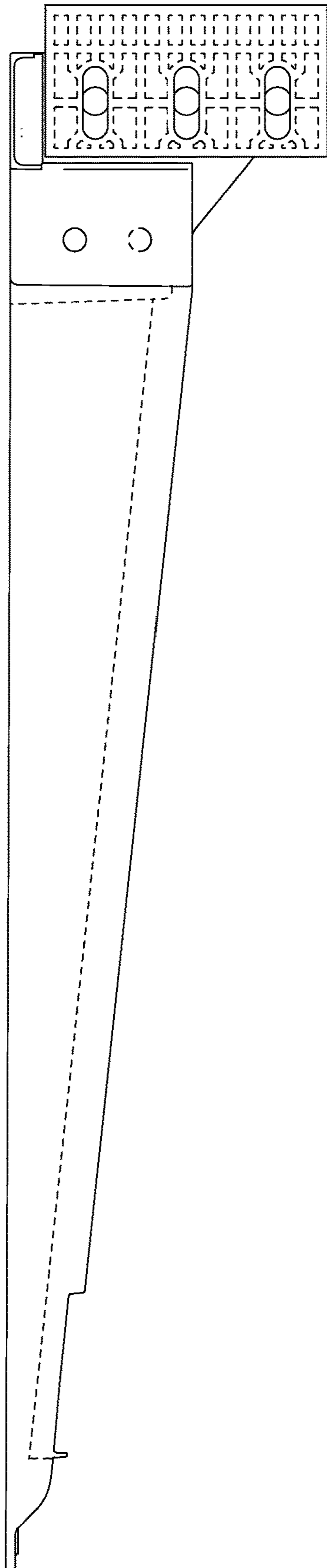


Figure 4

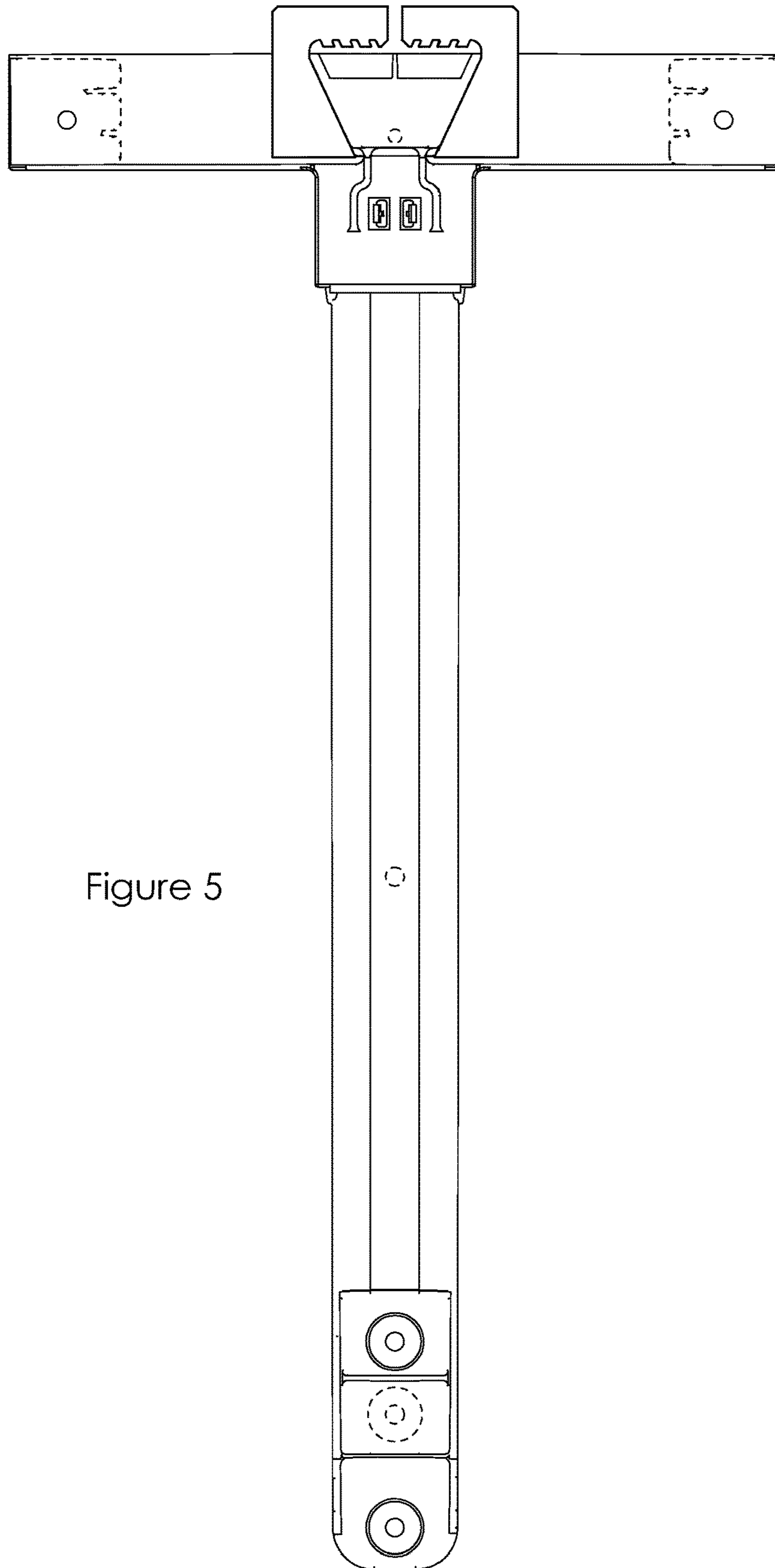


Figure 5

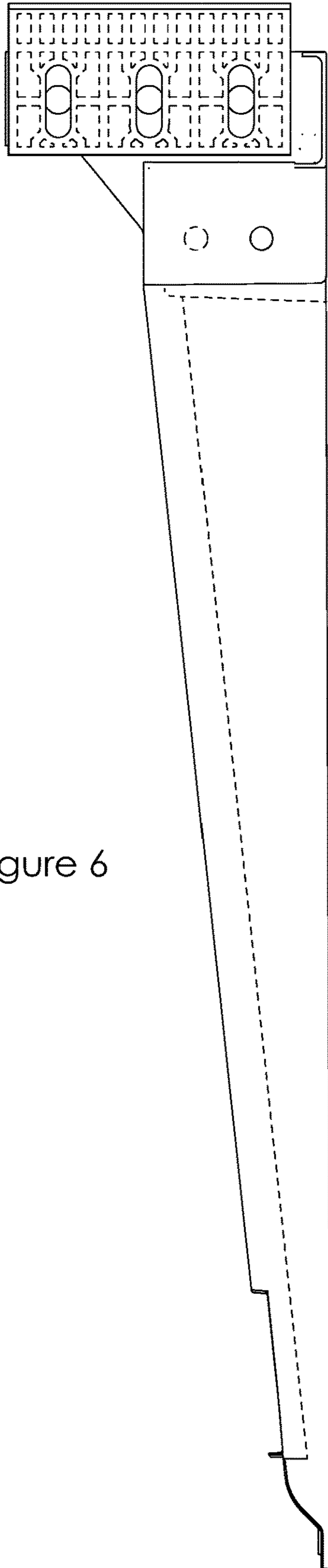


Figure 6

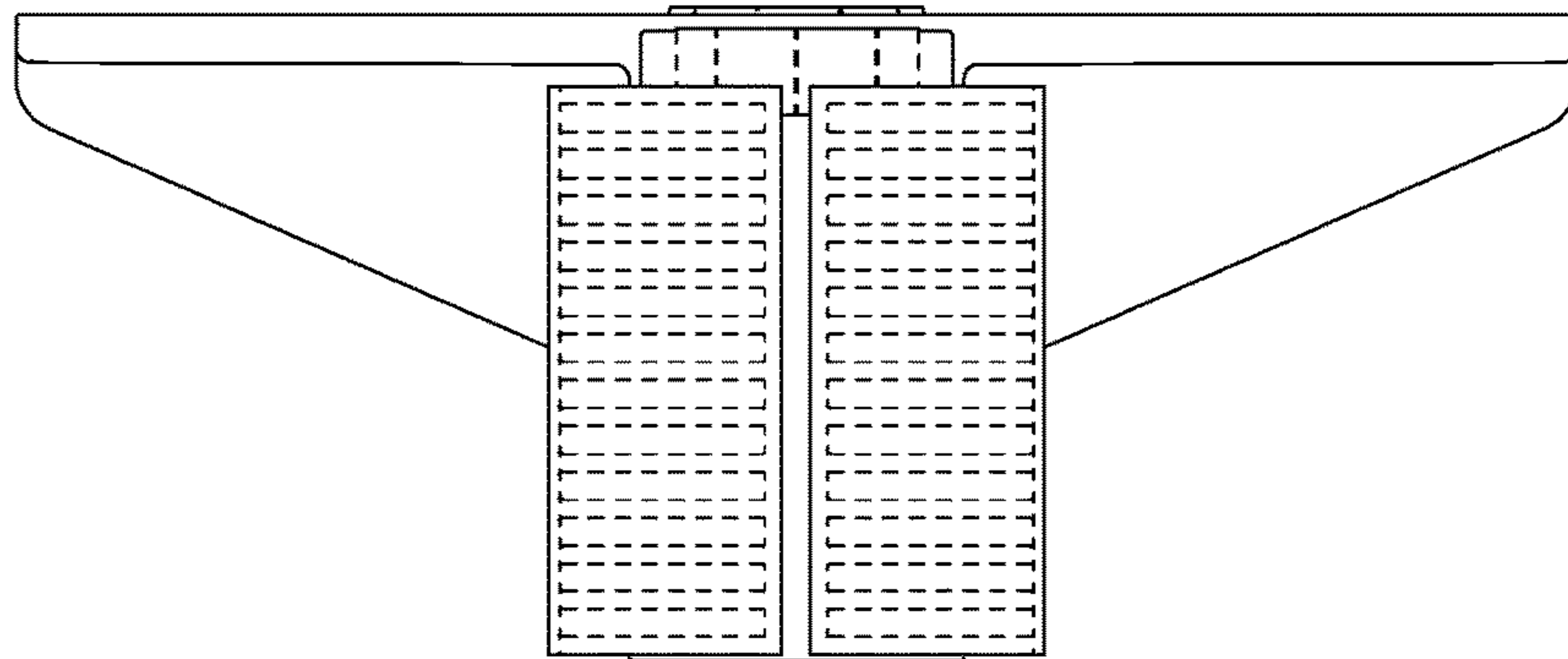


Figure 7

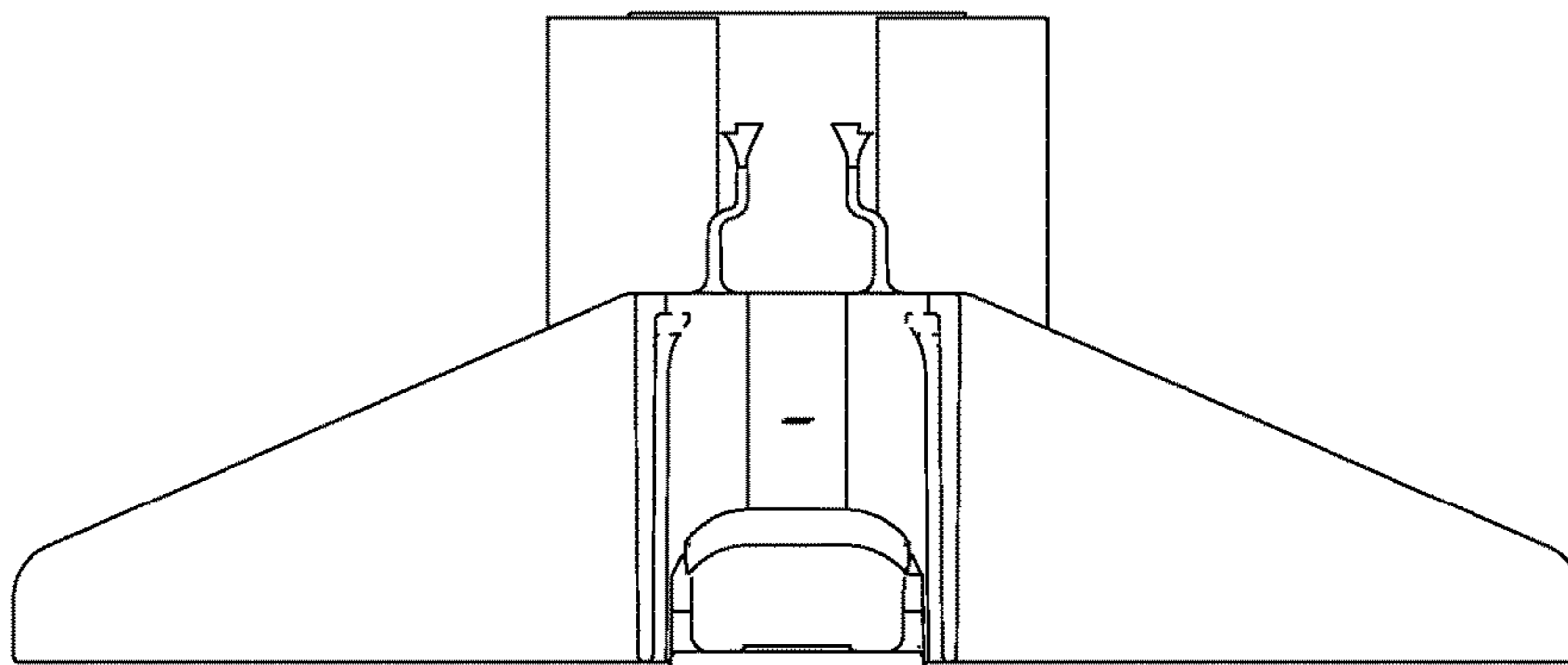


Figure 8

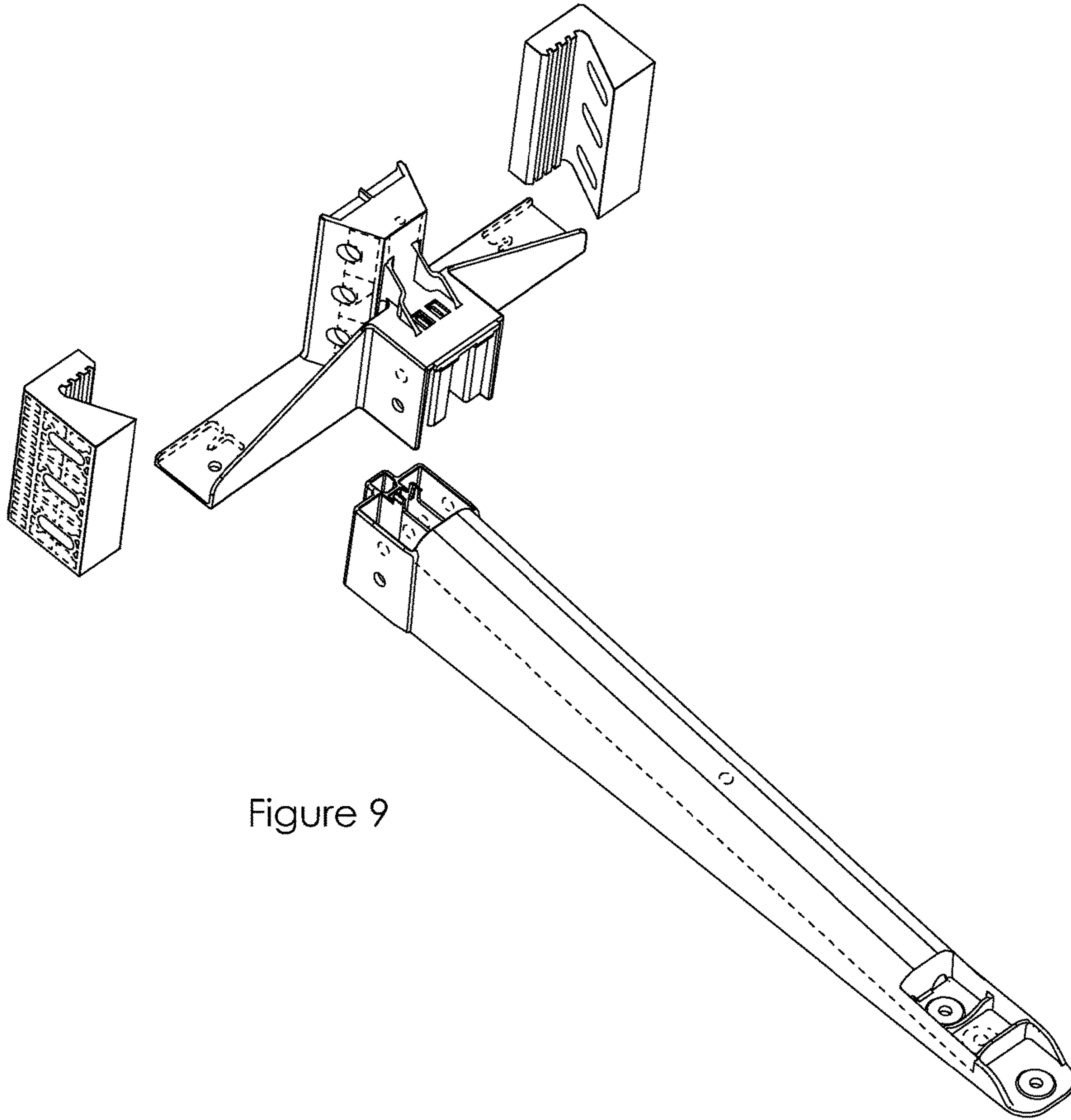


Figure 9

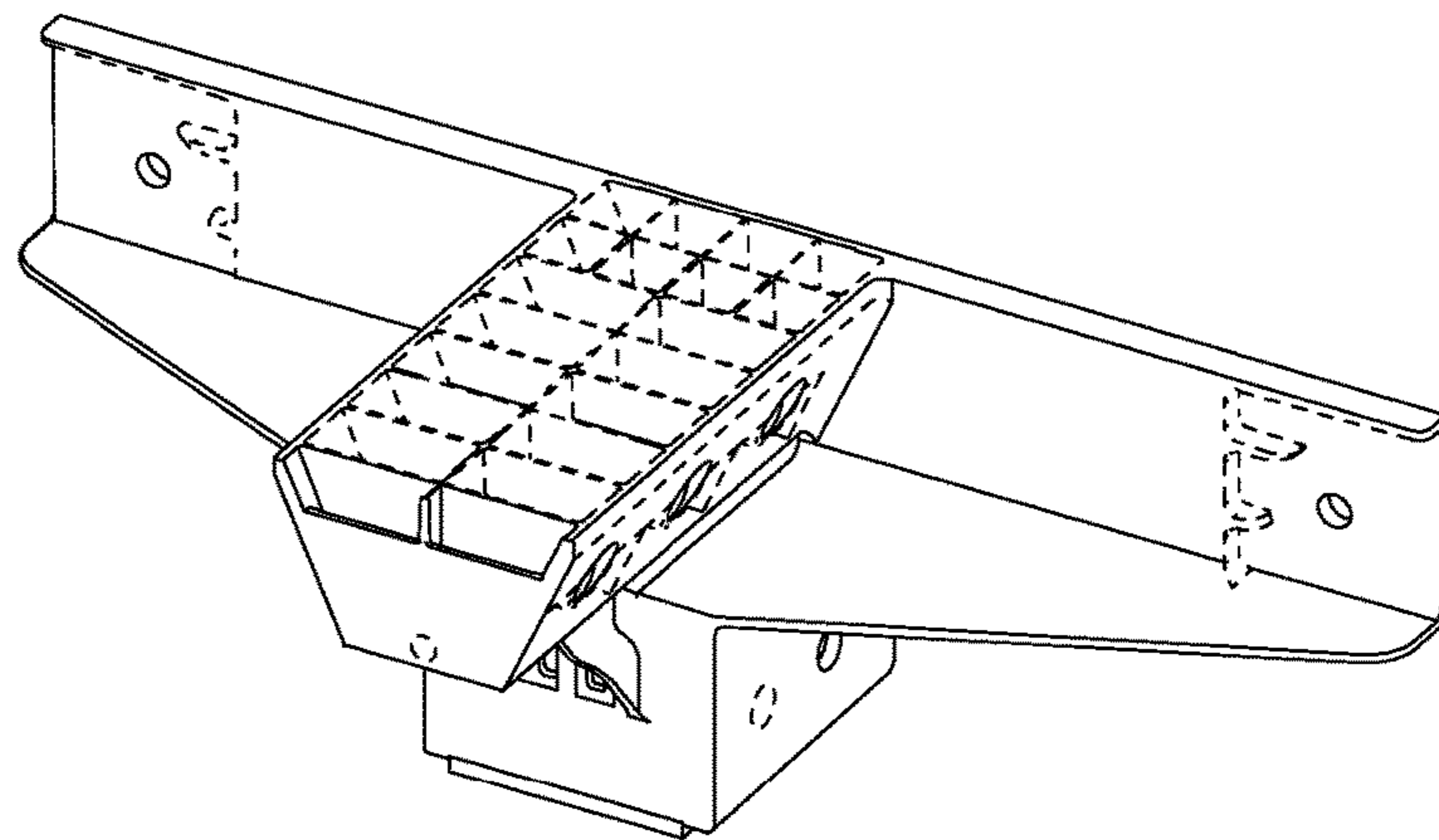


Figure 10

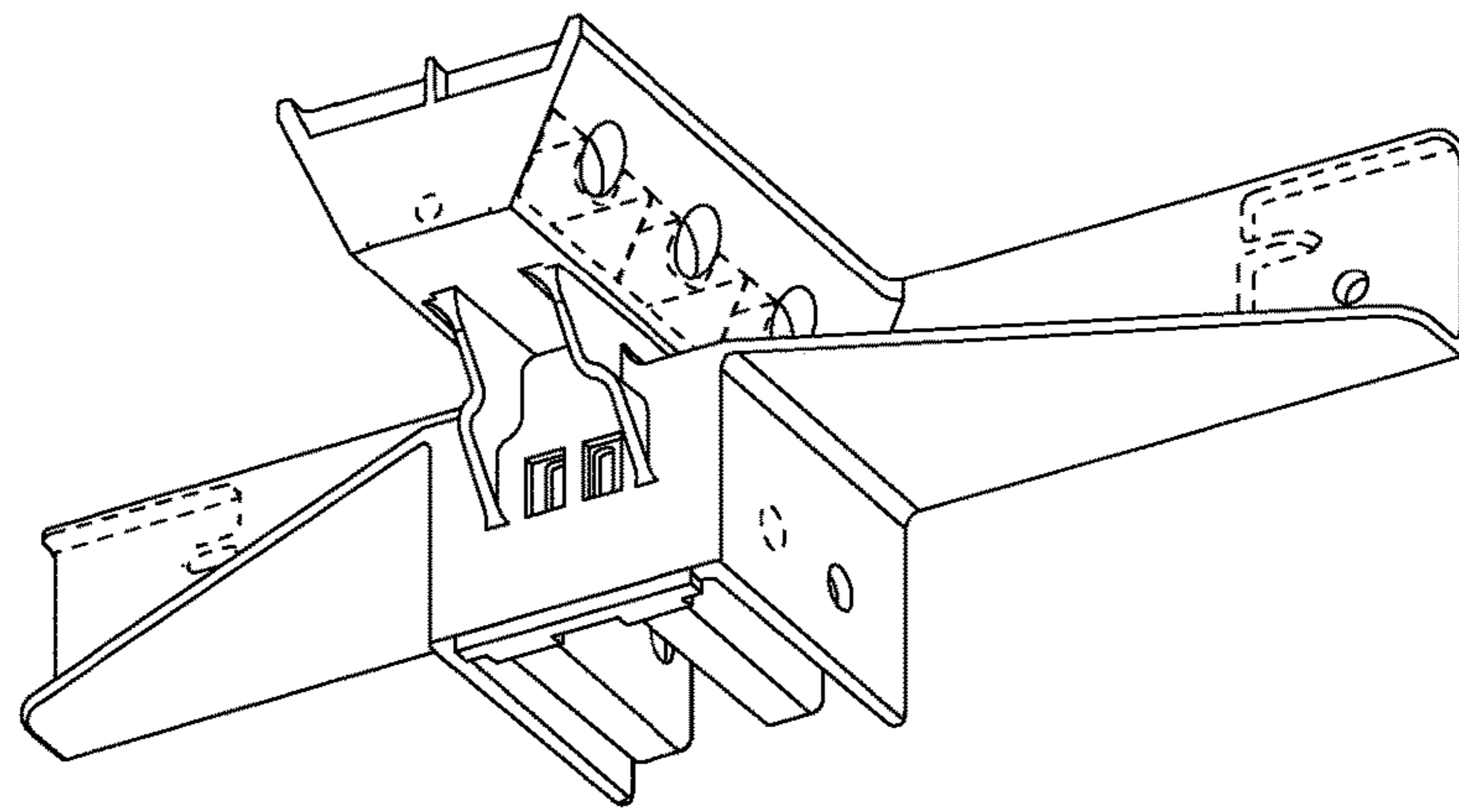


Figure 11

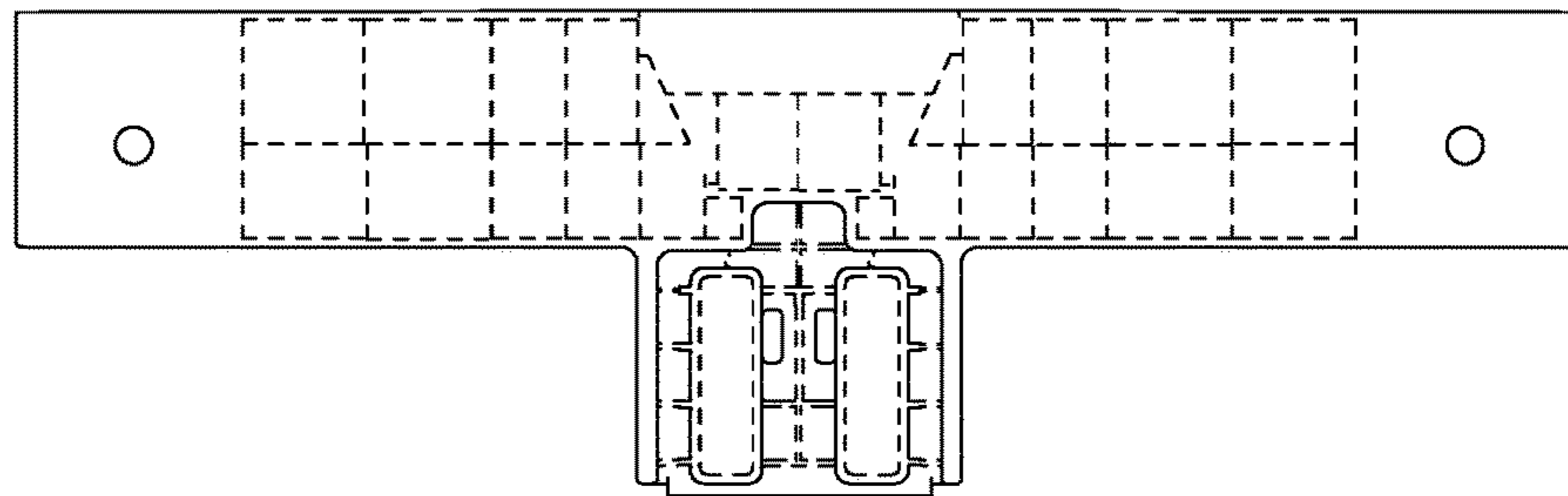


Figure 12

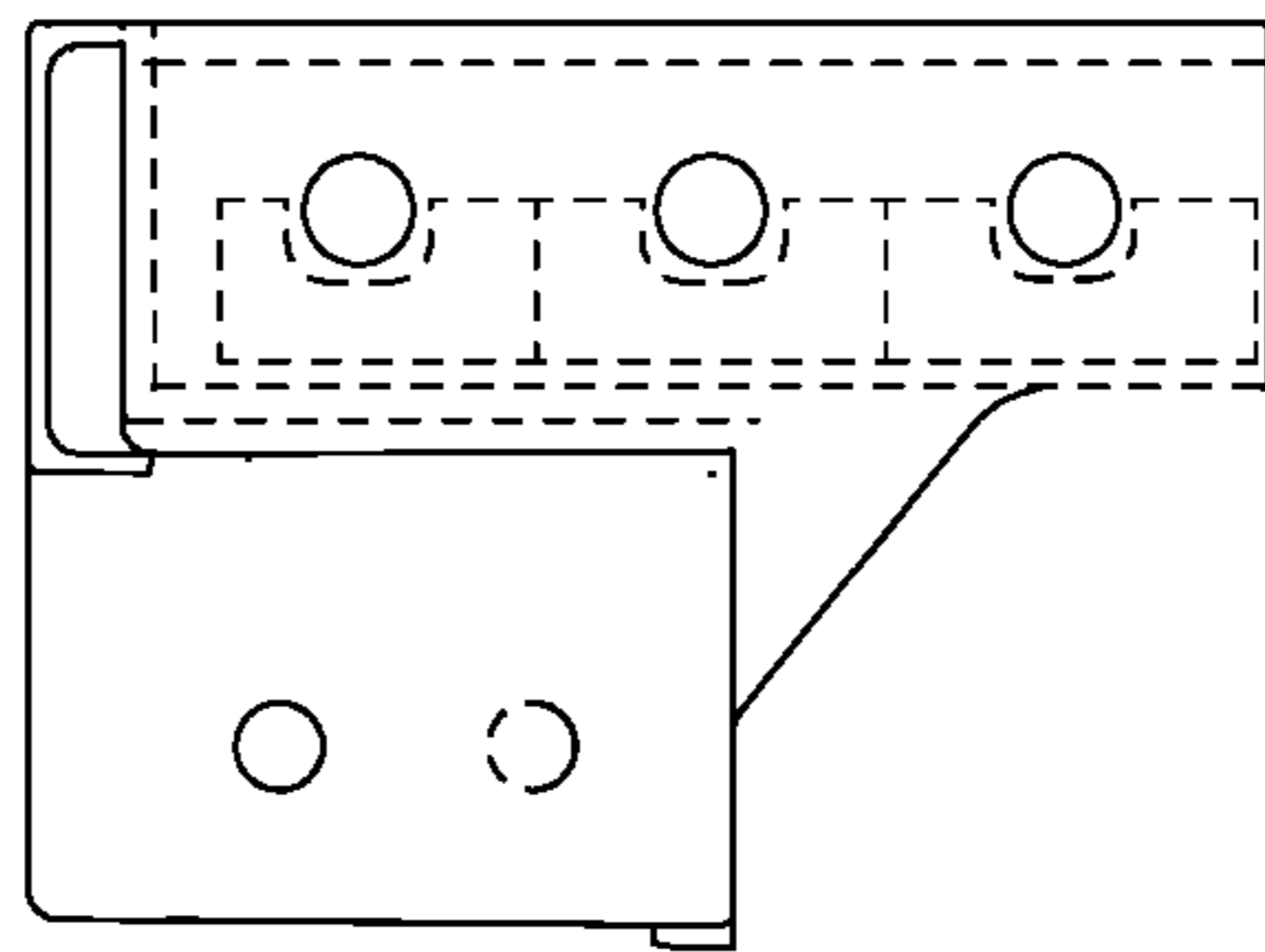


Figure 13

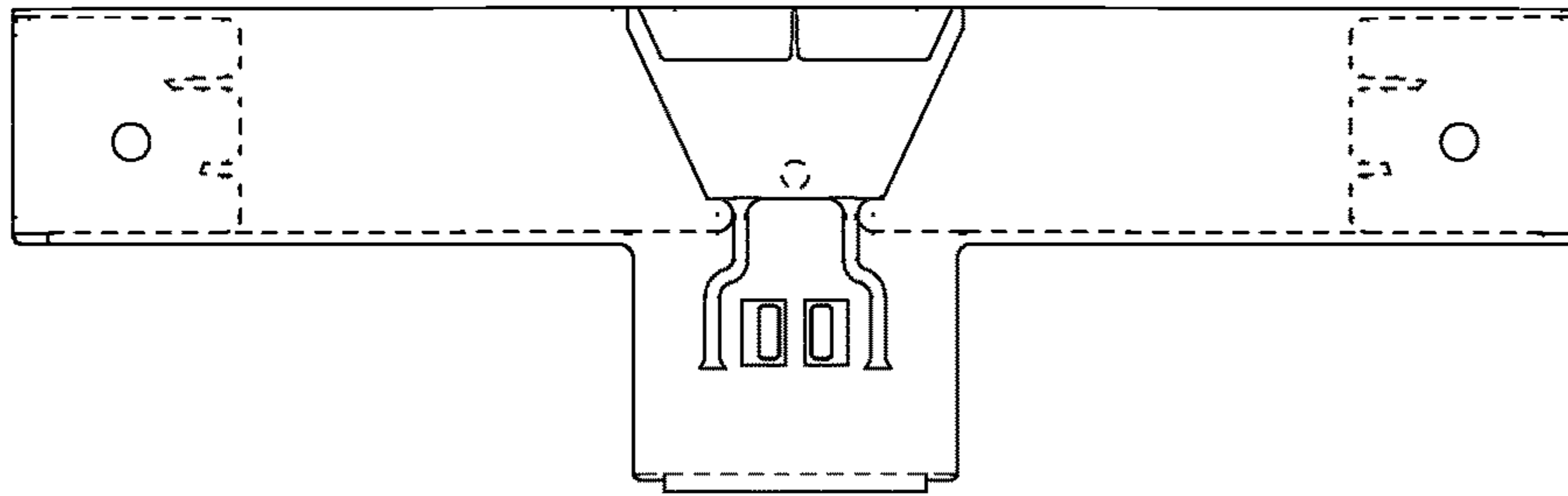


Figure 14

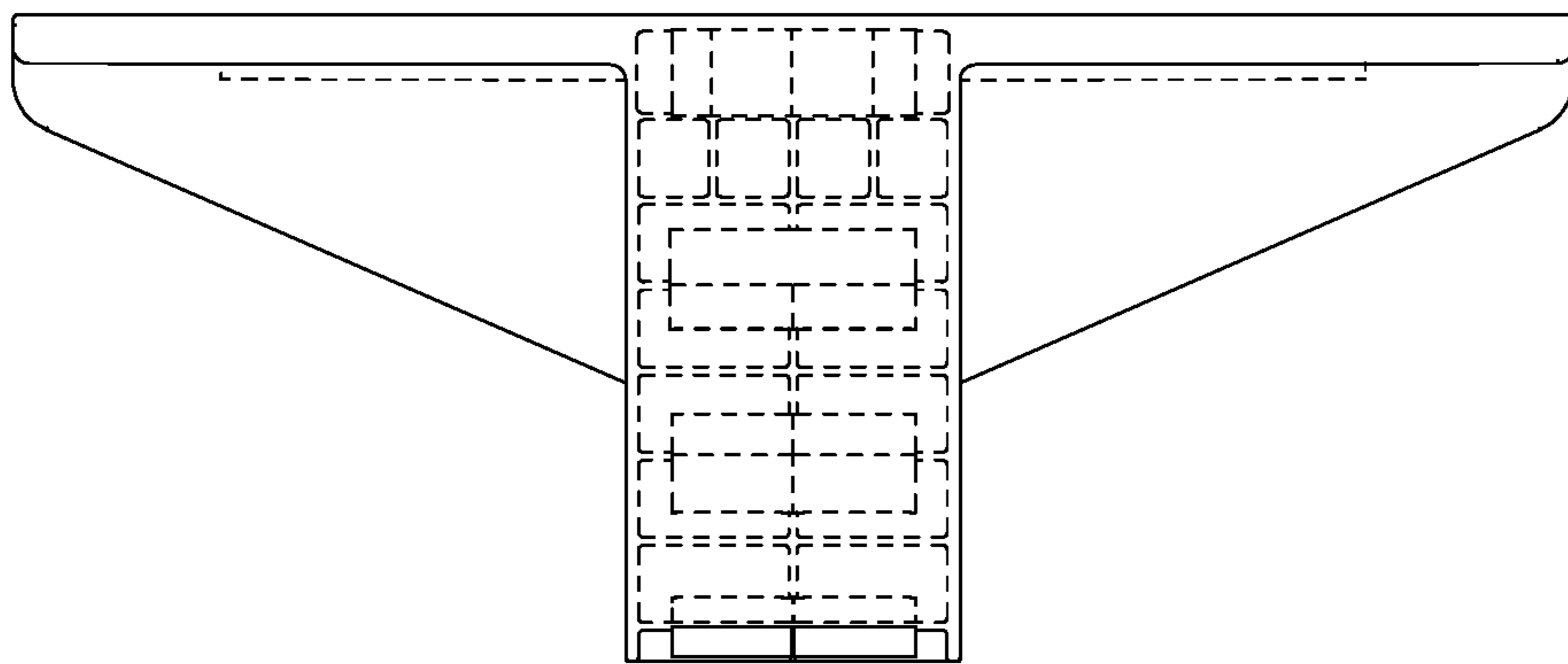


Figure 15

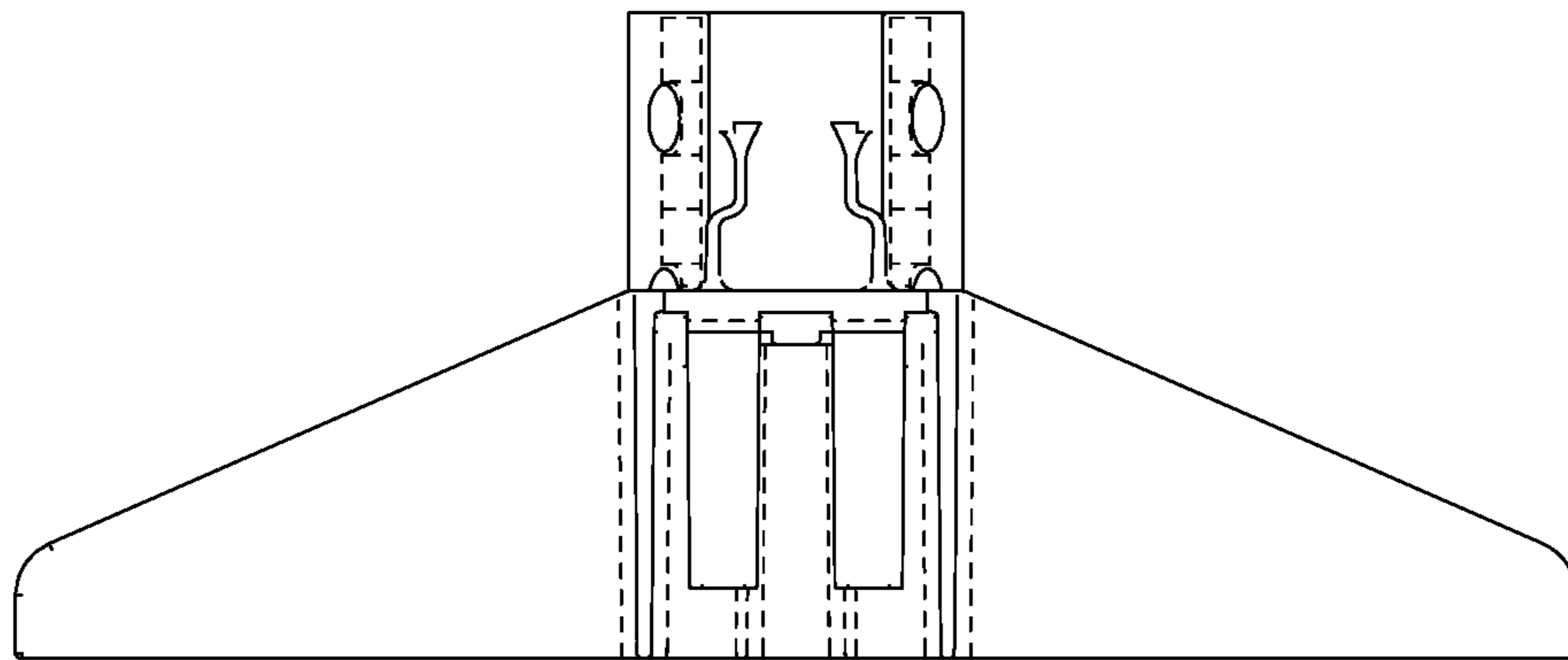


Figure 16

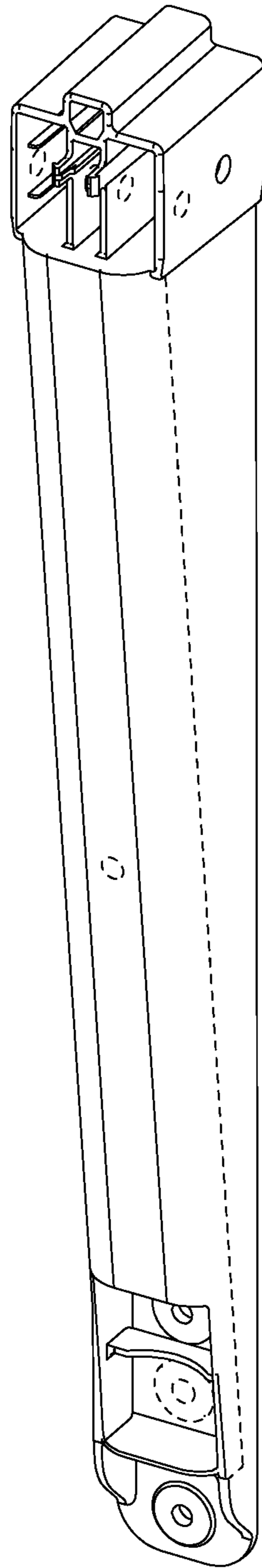


Figure 17

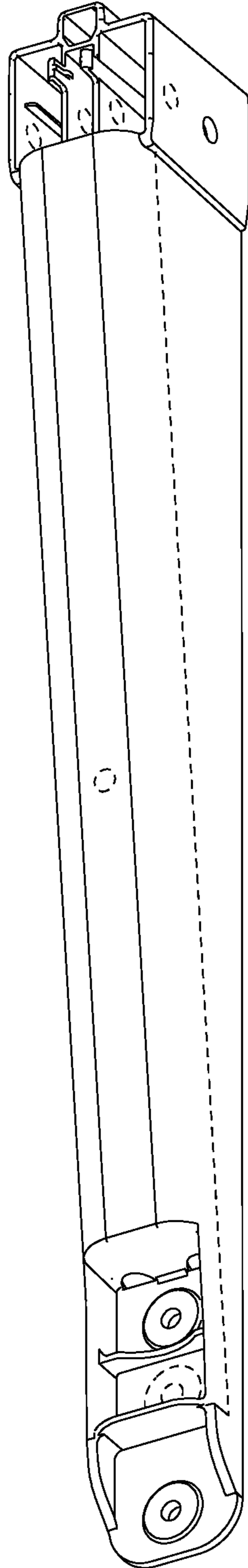


Figure 18

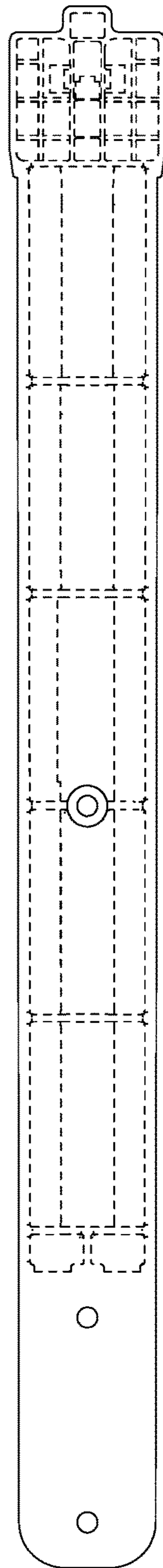


Figure 19

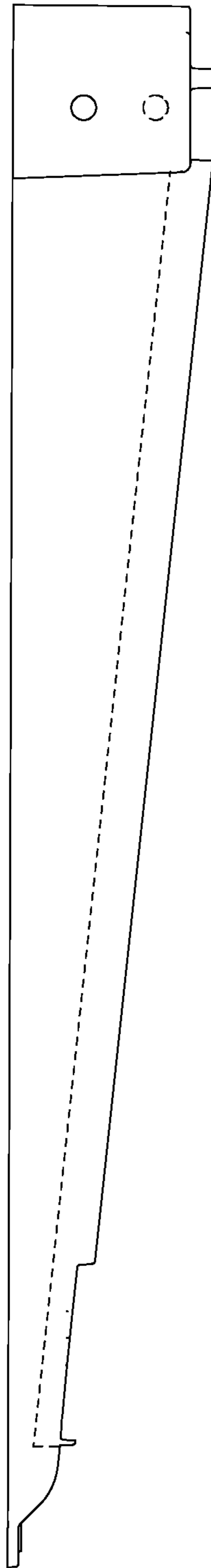


Figure 20

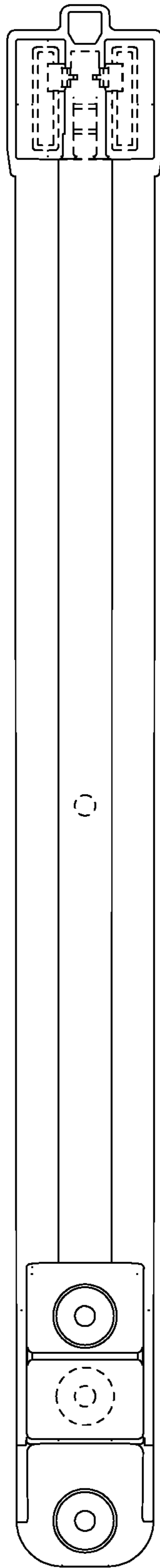


Figure 21

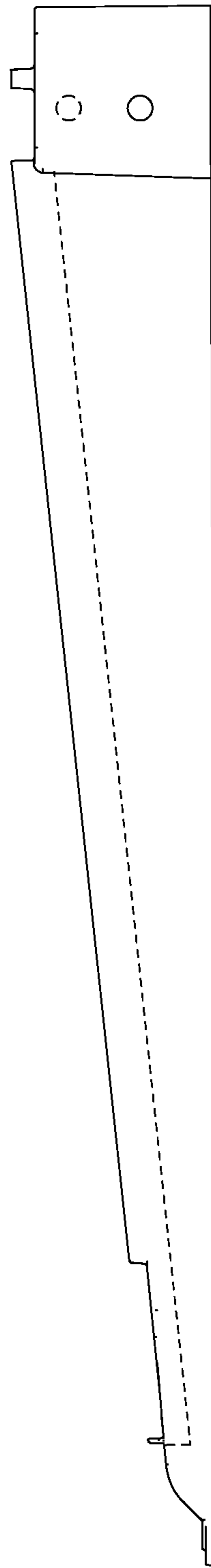


Figure 22

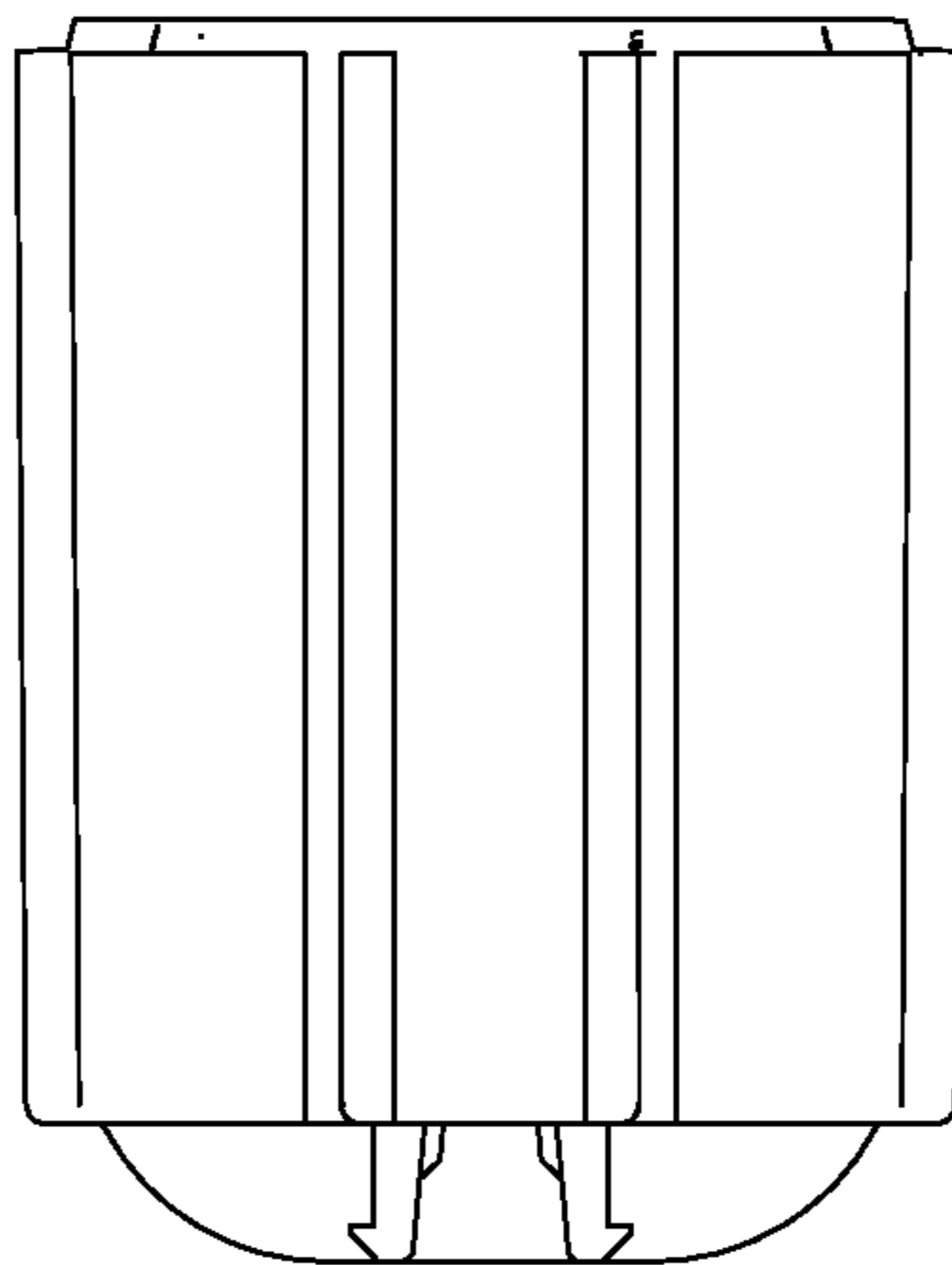


Figure 23

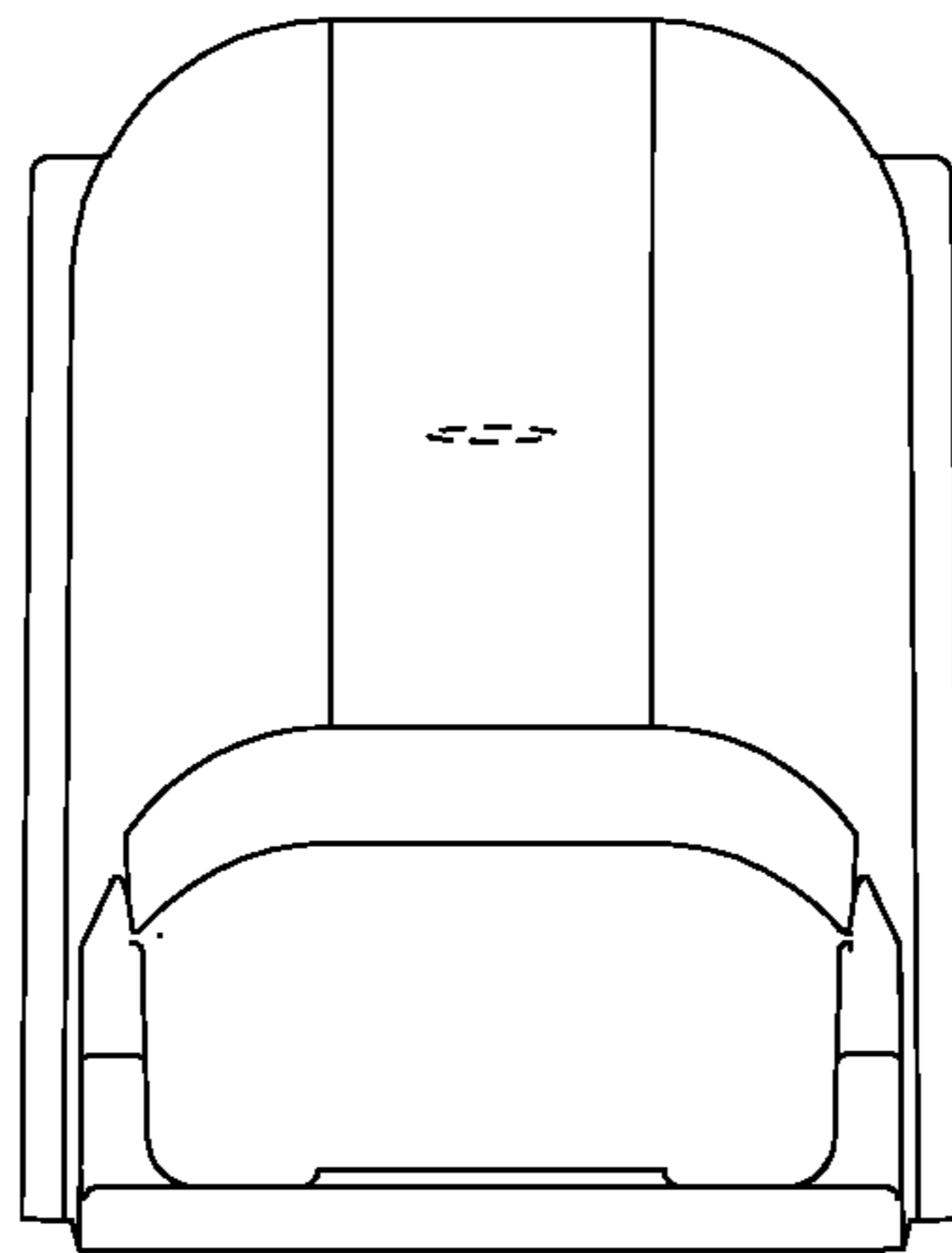


Figure 24

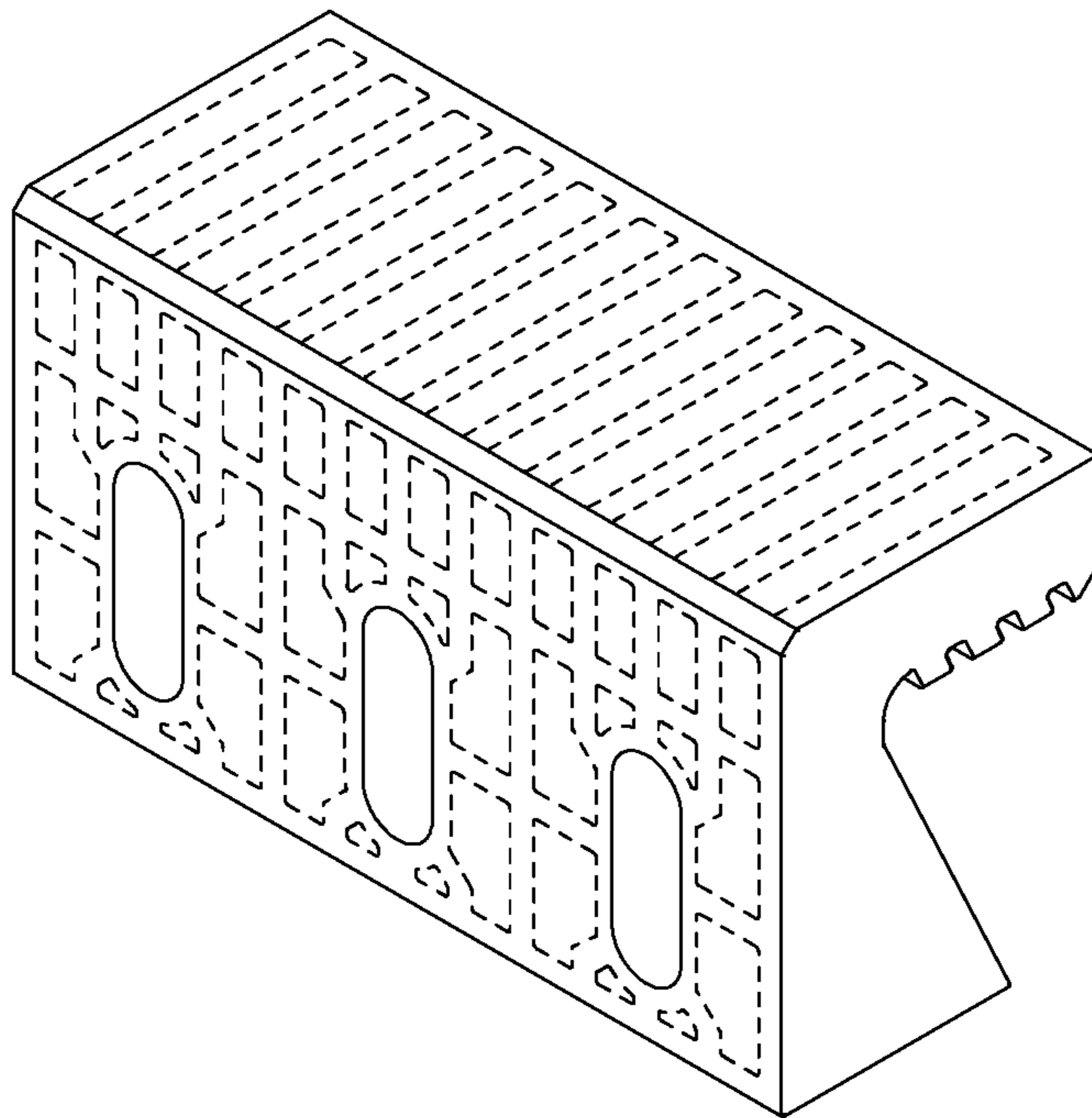


Figure 25

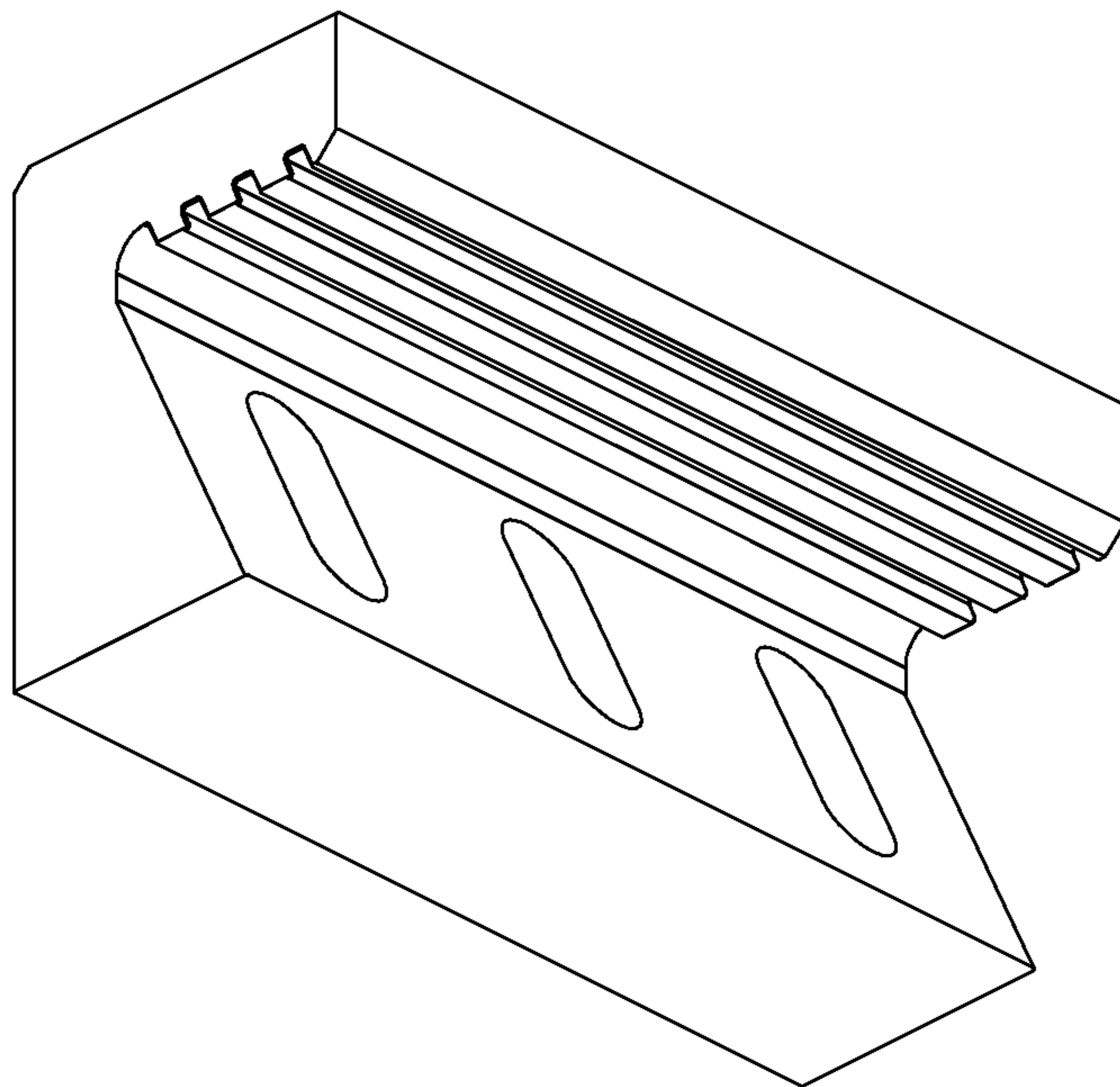


Figure 26

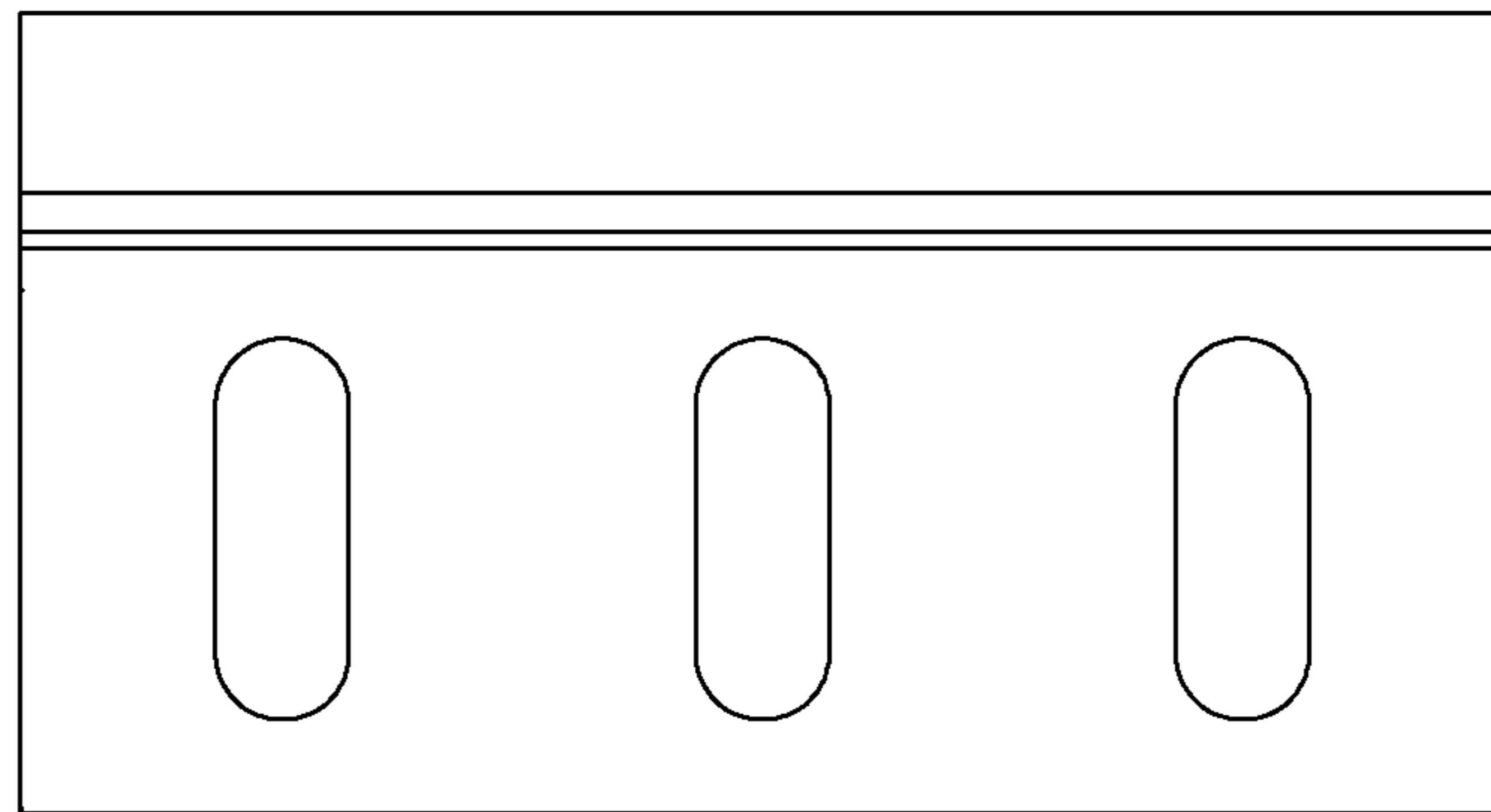


Figure 27

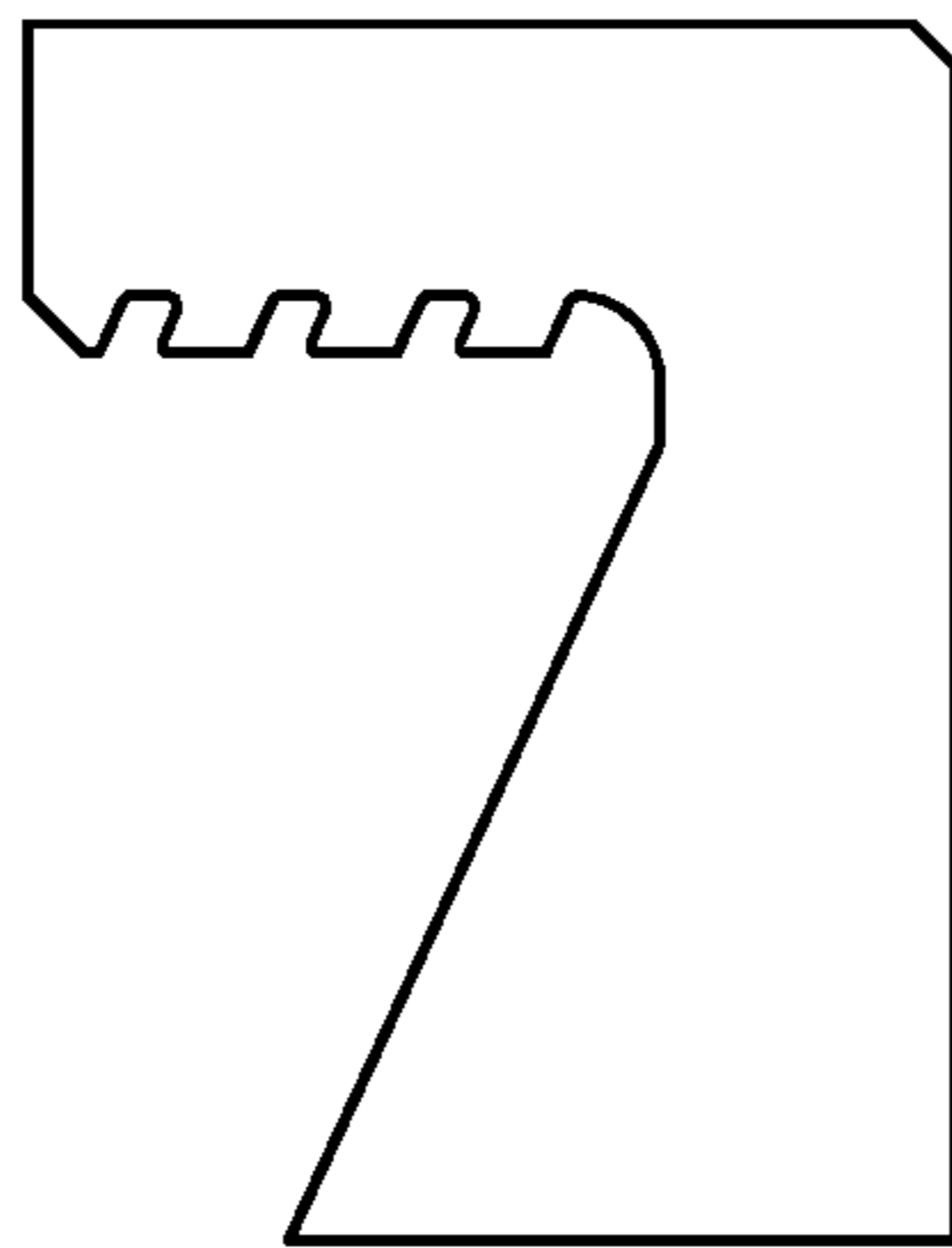


Figure 28

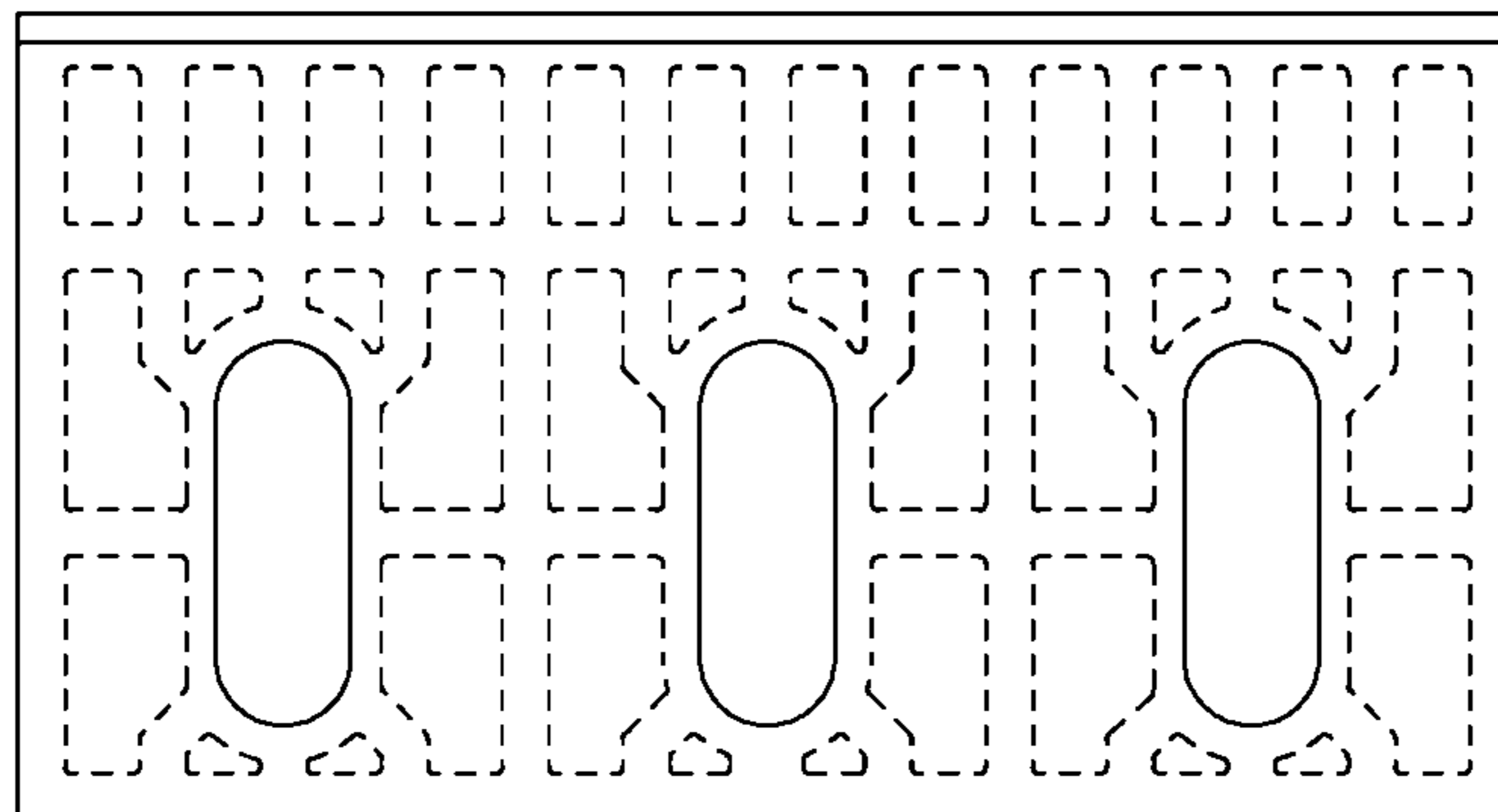


Figure 29

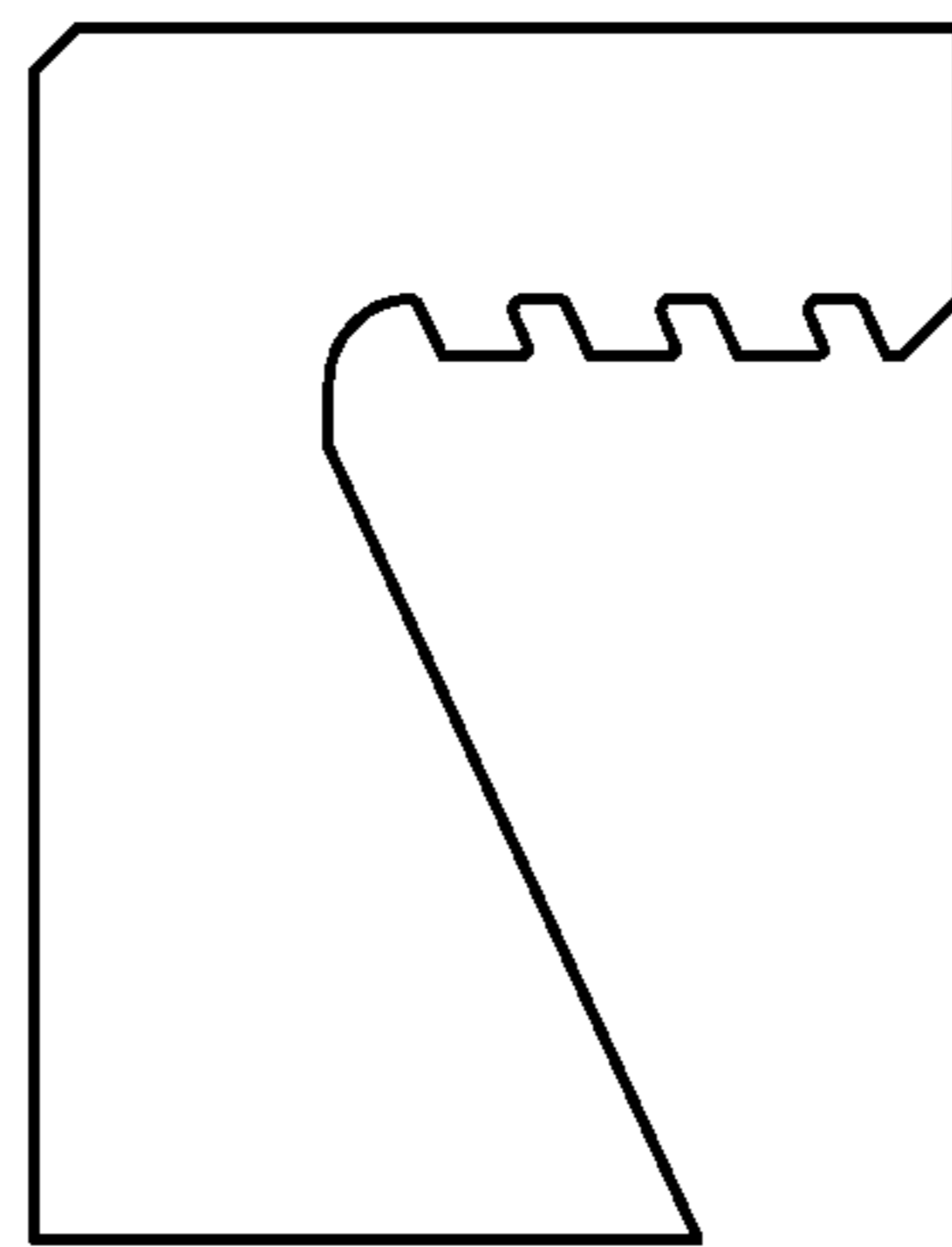


Figure 30

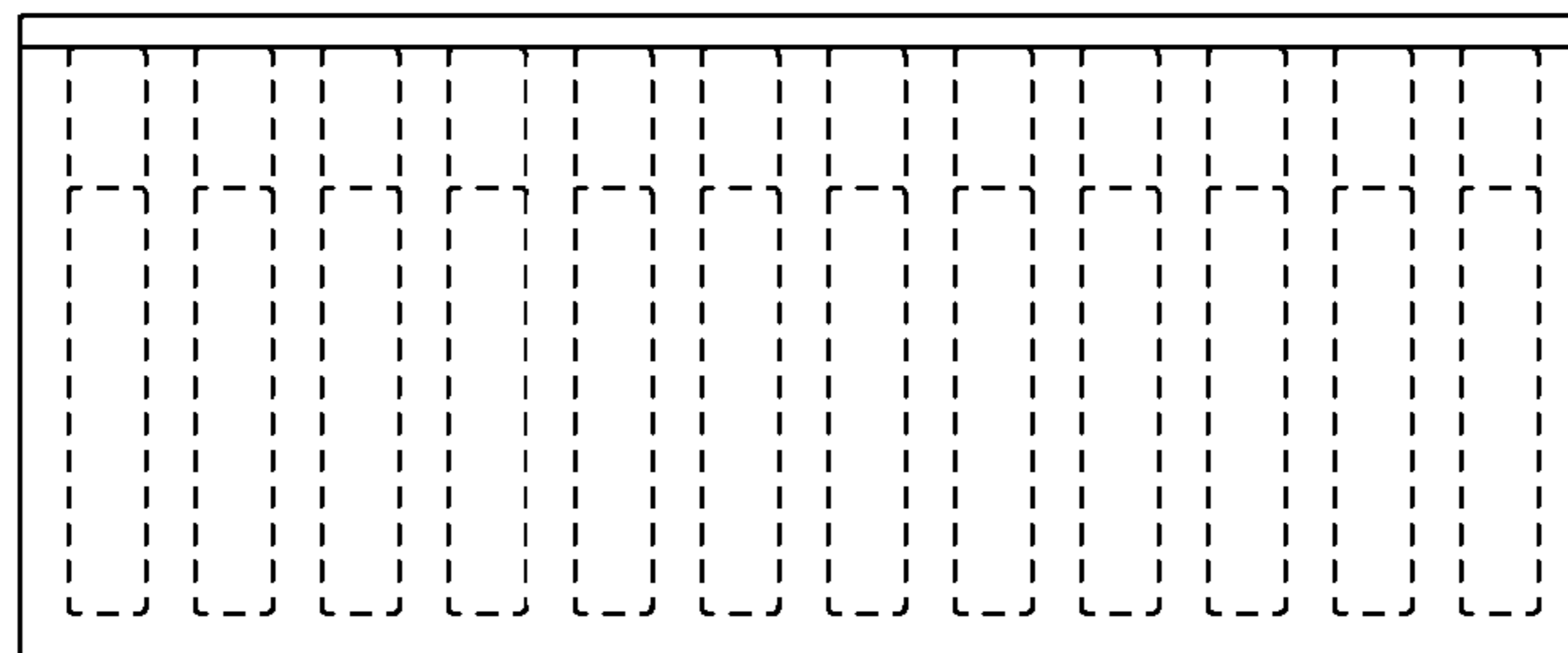


Figure 31

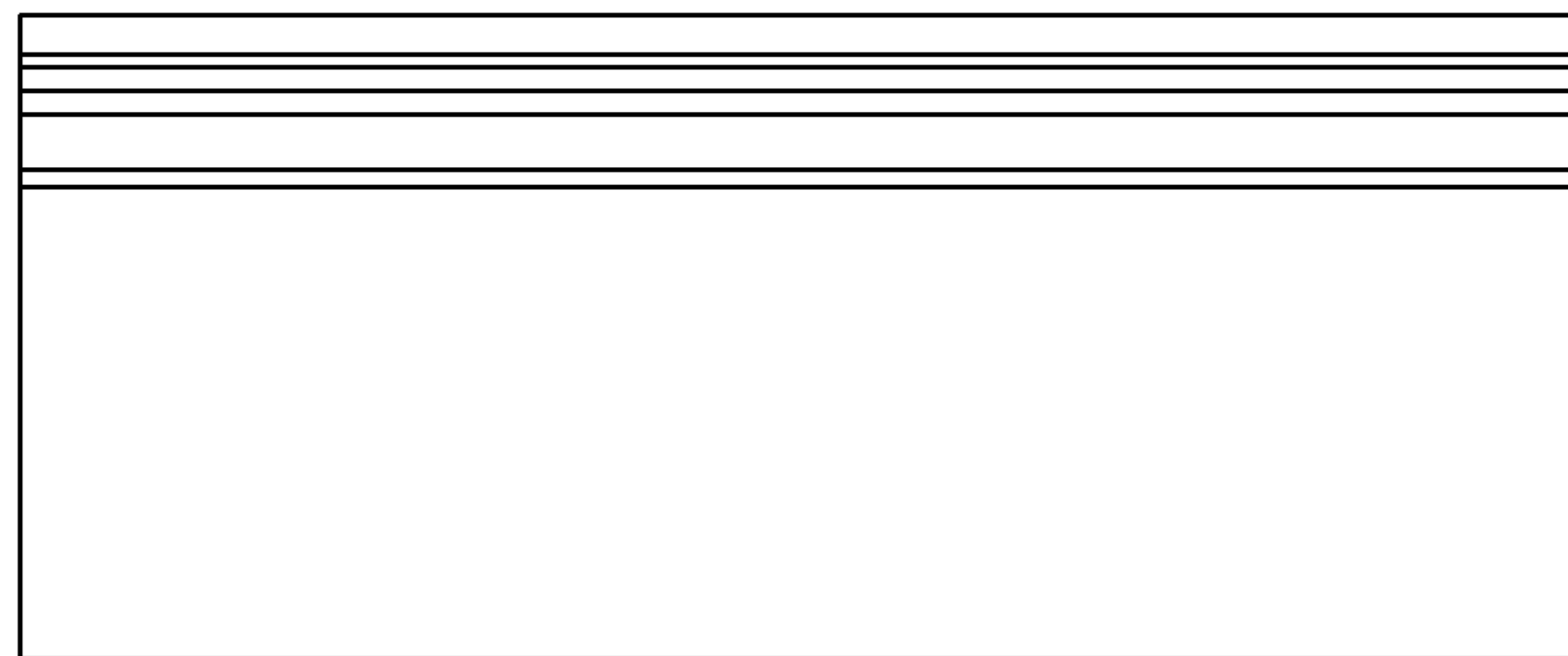


Figure 32

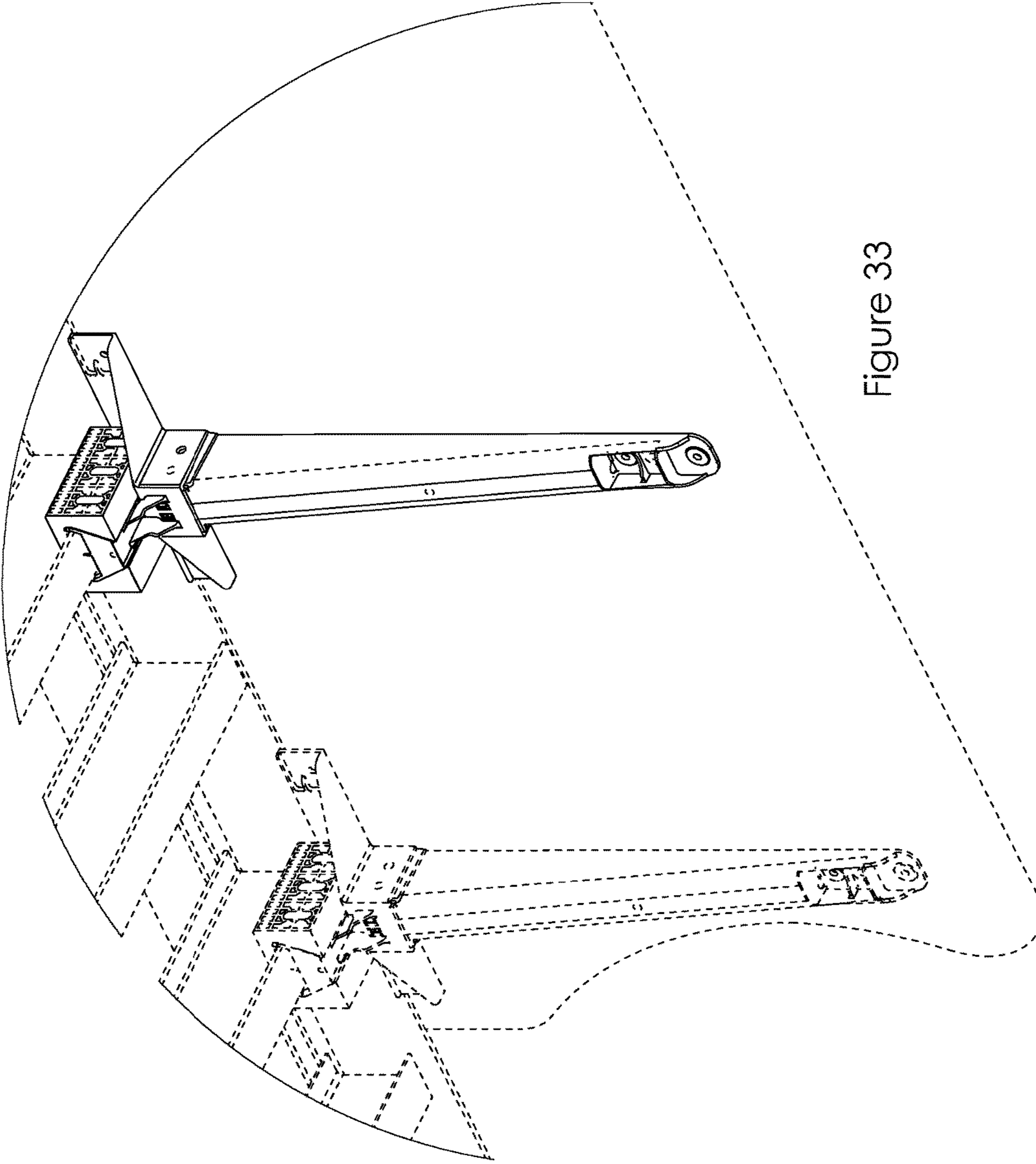


Figure 33