



US00D818414S

(12) **United States Design Patent** (10) **Patent No.:** **US D818,414 S**  
**Bills et al.** (45) **Date of Patent:** **\*\* May 22, 2018**

(54) **VORTEX PROPELLER**  
(71) Applicants: **Chris Bills**, Provo, UT (US); **Donald E. Moriarty**, Provo, UT (US)  
(72) Inventors: **Chris Bills**, Provo, UT (US); **Donald E. Moriarty**, Provo, UT (US)  
(\*\*) Term: **15 Years**  
(21) Appl. No.: **29/585,961**  
(22) Filed: **Nov. 30, 2016**  
(51) **LOC (11) Cl.** ..... **12-16**  
(52) **U.S. Cl.**  
USPC ..... **D12/214**  
(58) **Field of Classification Search**  
USPC ..... D12/214, 300, 305, 317, 319, 344, 16.1, D12/328, 330, 345; D15/4, 5; D13/115; D21/441; D23/379, 411, 413  
CPC ..... B64C 11/00; B64C 11/16; B64C 27/08; B64C 39/024; B64C 2201/108; B63H 5/07  
See application file for complete search history.

D708,136 S \* 7/2014 Eguizabal Garcia ..... D13/115  
8,905,706 B2 12/2014 Bills et al.  
D722,965 S 2/2015 Perless et al.  
9,004,851 B1 4/2015 Garza  
2007/0018464 A1 1/2007 Becker  
2007/0029807 A1 2/2007 Kass  
2008/0095631 A1 4/2008 Bertony  
2009/0257880 A1 10/2009 Clark  
2010/0003130 A1 1/2010 Gual  
2010/0196144 A1 8/2010 Morris  
2010/0278650 A1\* 11/2010 Parker ..... F03D 1/0633  
416/176  
2011/0006542 A1\* 1/2011 Burrell, IV ..... F03D 3/049  
290/55  
2011/0081243 A1\* 4/2011 Sullivan ..... F03D 3/002  
416/120  
2011/0081244 A1 4/2011 Ro  
2011/0164977 A1 7/2011 Vallejo  
2011/0206526 A1 8/2011 Roberts  
2011/0255975 A1 10/2011 Perless et al.  
2012/0076656 A1 3/2012 Abass

(Continued)

*Primary Examiner* — George D. Kirschbaum  
*Assistant Examiner* — Clese Moore, Jr.  
(74) *Attorney, Agent, or Firm* — Thorpe North & Western LLP

(56) **References Cited**

U.S. PATENT DOCUMENTS

4,218,175 A 8/1980 Carpenter  
4,500,259 A 2/1985 Schumacher  
5,078,632 A \* 1/1992 Ogawa ..... B63H 20/245  
416/201 R  
D324,364 S \* 3/1992 Hannon ..... D12/214  
D326,080 S \* 5/1992 Vartiala ..... D12/214  
D341,608 S \* 11/1993 Fries ..... D15/147  
5,997,242 A 12/1999 Hecker et al.  
D442,906 S \* 5/2001 Prokop ..... D12/214  
D457,850 S \* 5/2002 Rietsch ..... D12/214  
D459,285 S \* 6/2002 Rietsch ..... D12/214  
D560,154 S \* 1/2008 Aplin, Jr. .... D12/214  
D576,539 S \* 9/2008 Tymark ..... D12/214  
D578,460 S \* 10/2008 Tymark ..... D12/214  
D658,563 S \* 5/2012 Hwang ..... D12/214

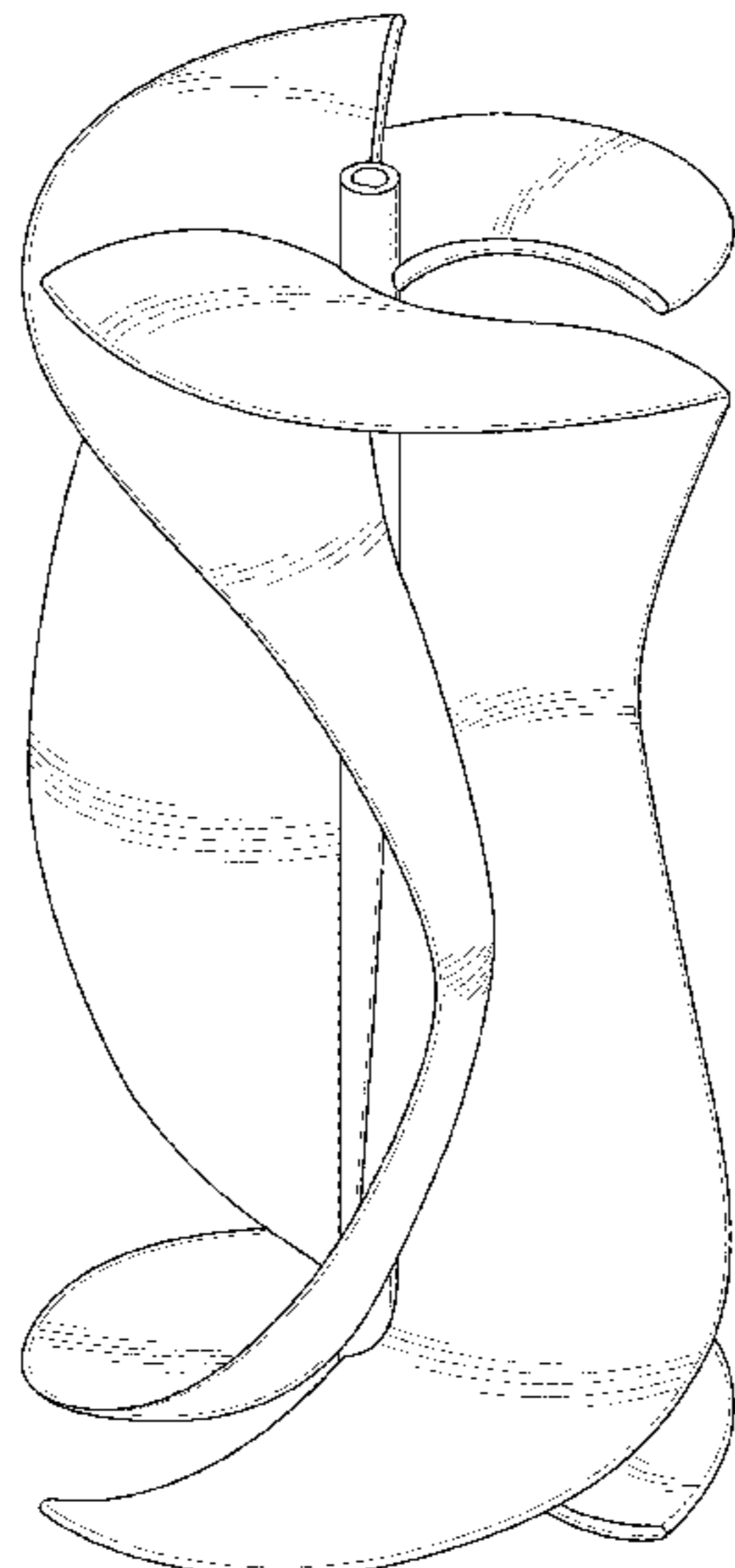
(57) **CLAIM**

The ornamental design for a vortex propeller, as shown and described herein.

**DESCRIPTION**

FIG. 1 is an elevated, perspective view of the vortex propeller in accordance with our invention;  
FIG. 2 is a front view thereof;  
FIG. 3 is back view of FIG. 1;  
FIG. 4 is a side view of FIG. 1;  
FIG. 5 is an opposite view of FIG. 4;  
FIG. 6 is a top view of FIG. 1; and,  
FIG. 7 is a bottom view of FIG. 1.

**1 Claim, 6 Drawing Sheets**



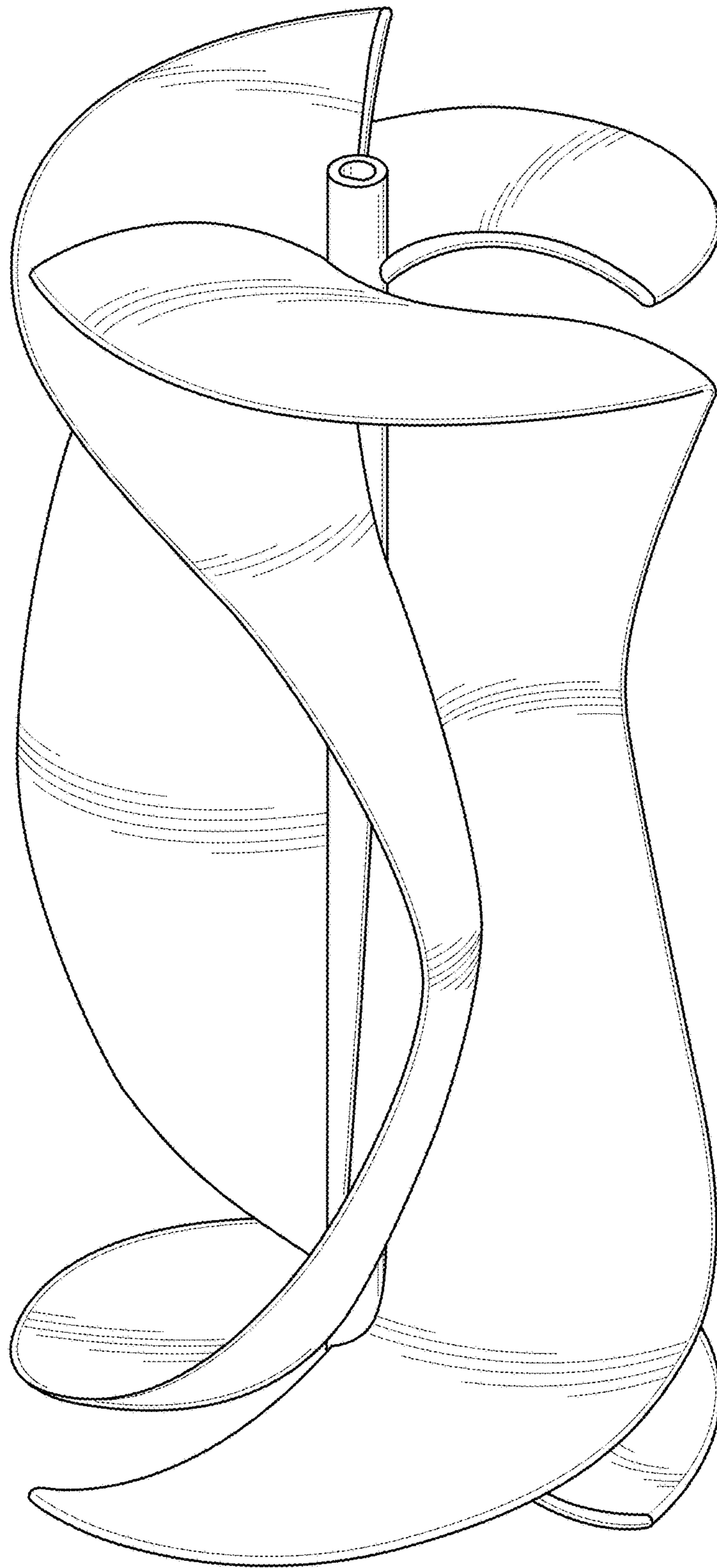
(56)

**References Cited**

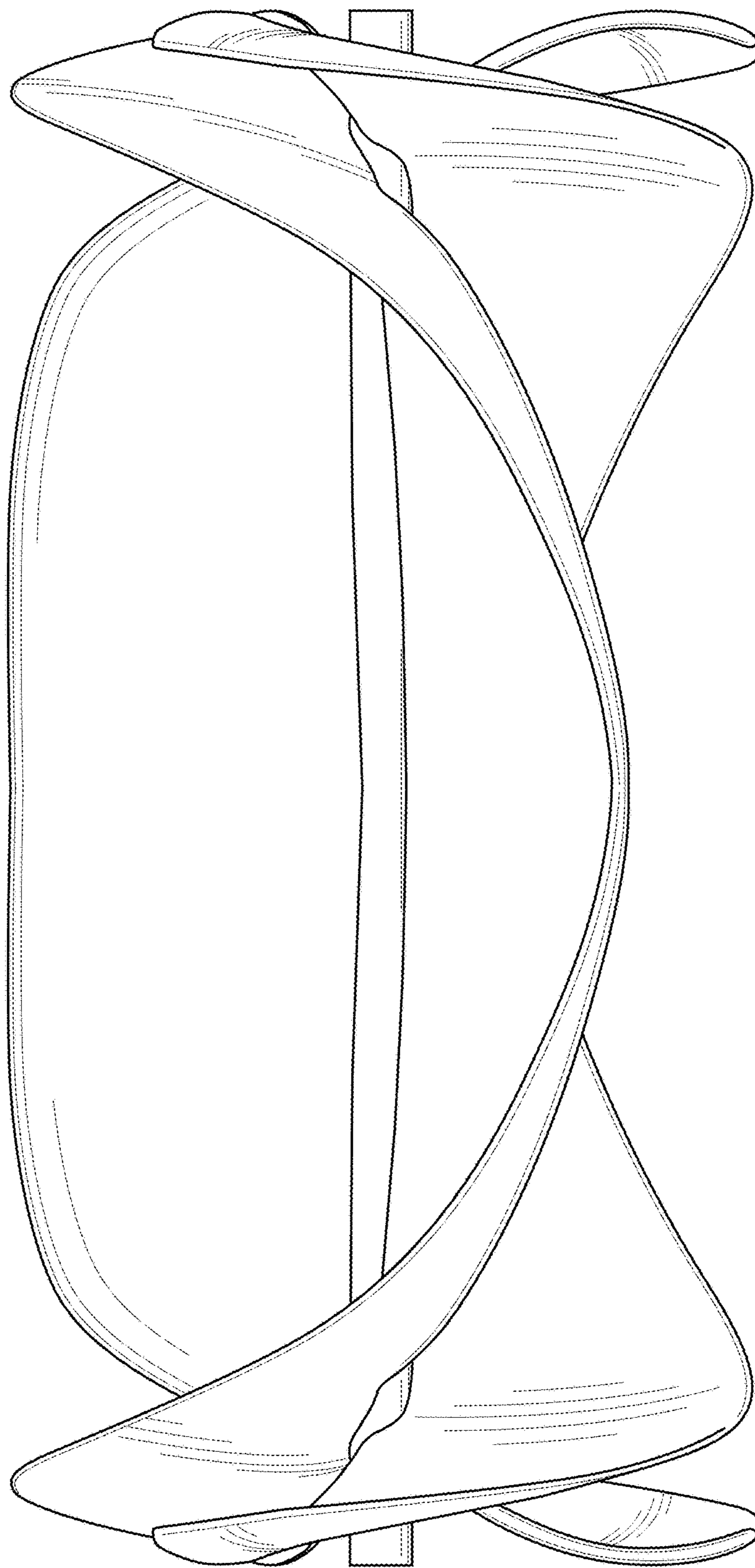
U.S. PATENT DOCUMENTS

2012/0128500 A1 5/2012 Perless et al.  
2012/0242088 A1\* 9/2012 Raz ..... F03B 17/061  
290/55  
2013/0343891 A1 12/2013 Rajakaruna et al.  
2013/0343897 A1 12/2013 Collins  
2015/0300177 A1 10/2015 Mieremet et al.  
2017/0022970 A1 1/2017 Bills et al.

\* cited by examiner



**FIG. 1**



**FIG. 2**





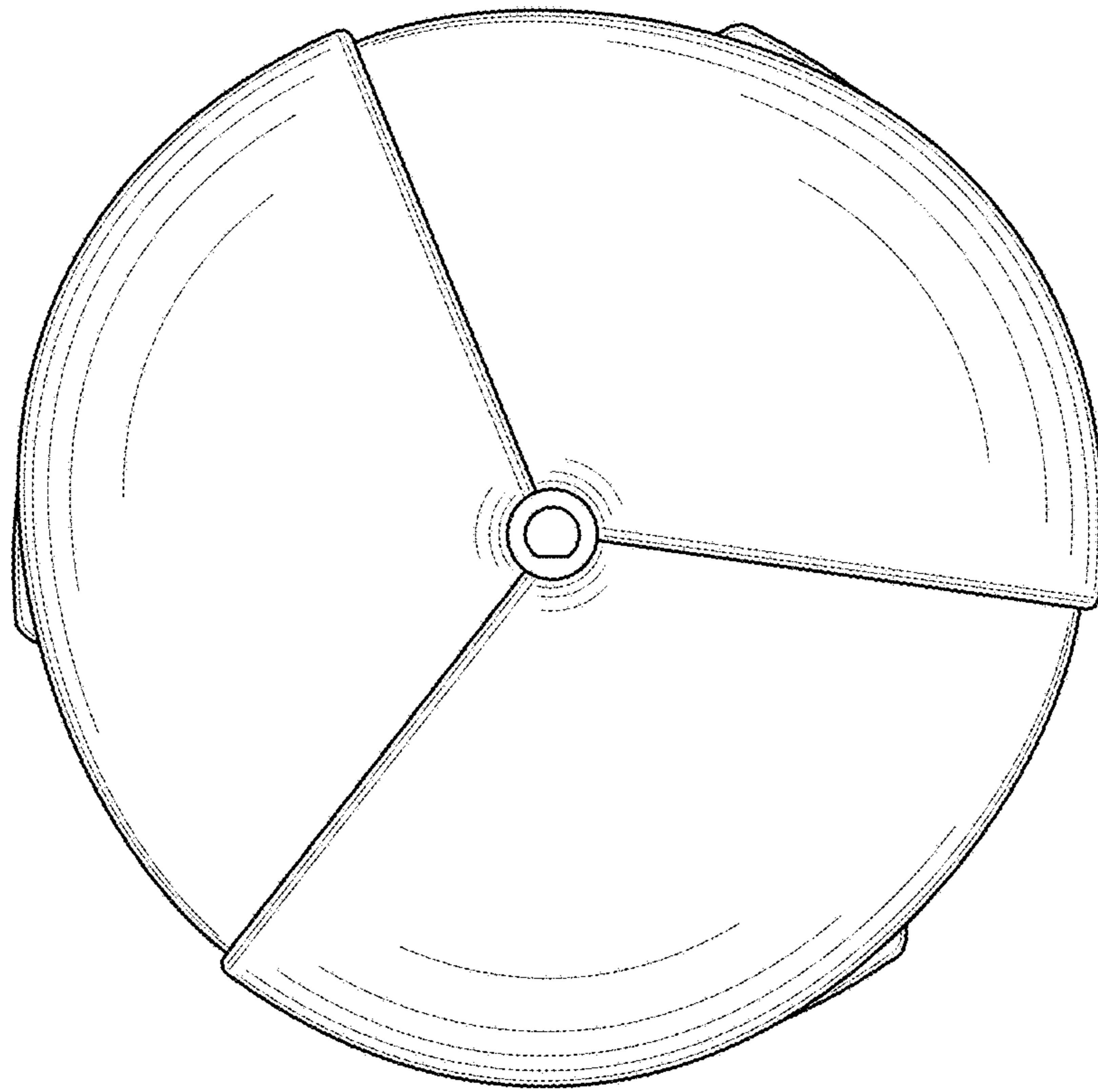
**FIG. 3**



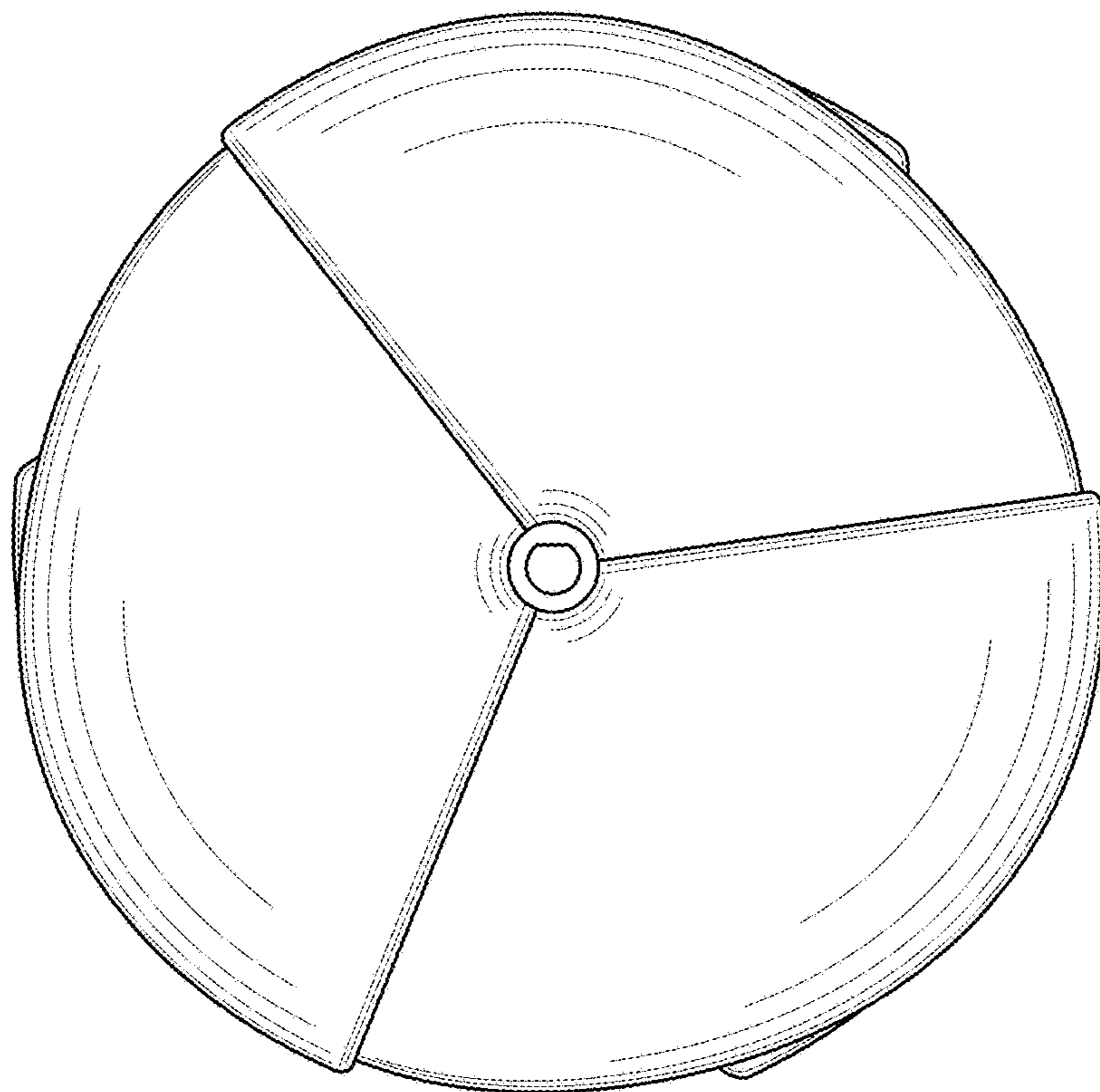
**FIG. 4**



**FIG. 5**



**FIG. 6**



**FIG. 7**