



US00D818412S

(12) **United States Design Patent**
Oldham

(10) **Patent No.:** **US D818,412 S**

(45) **Date of Patent:** **** May 22, 2018**

(54) **AUTOMOTIVE WHEEL**

(71) Applicant: **Jeffrey Blake Oldham**, Katy, TX (US)

(72) Inventor: **Jeffrey Blake Oldham**, Katy, TX (US)

(73) Assignee: **PERFORMANCE TIRE LLC**, Katy, TX (US)

(**) Term: **15 Years**

(21) Appl. No.: **29/562,559**

(22) Filed: **Apr. 26, 2016**

(51) **LOC (11) Cl.** **12-16**

(52) **U.S. Cl.**
USPC **D12/211**

(58) **Field of Classification Search**
USPC D12/204–213
CPC B60B 7/00; B60B 7/02; B60B 7/04; B60B 7/01; B60B 7/06; B60B 3/02; B60B 3/04; B60B 3/06; B60B 3/10; B60B 1/00; B60B 1/08; B60B 1/10; B60B 1/12
See application file for complete search history.

(56) **References Cited**

U.S. PATENT DOCUMENTS

D428,379 S	*	7/2000	Donikoglu	D12/211
D582,829 S	*	12/2008	Musser	D12/211
D590,317 S	*	4/2009	Chung	D12/211
D625,242 S	*	10/2010	Zhao	D12/211

D639,222 S	*	6/2011	Johnson	D12/209
D664,907 S	*	8/2012	Hale, Jr.	D12/209
D675,971 S	*	2/2013	Lee	D12/209
D691,543 S	*	10/2013	Gordon	D12/209
D695,193 S	*	12/2013	Kong	D12/211
D702,172 S	*	4/2014	Chung	D12/211
D704,118 S	*	5/2014	Chung	D12/209
D709,019 S	*	7/2014	Hale	D12/211
D717,224 S	*	11/2014	Kim	D12/211
D719,893 S	*	12/2014	Kim	D12/211
D726,630 S	*	4/2015	Kong	D12/211
D741,770 S	*	10/2015	Kim	D12/209
D746,753 S	*	1/2016	Johnson	D12/209
D753,048 S	*	4/2016	Chan	D12/211
D764,375 S	*	8/2016	Chung	D12/211
D791,675 S	*	7/2017	Guo	D12/211
D793,942 S	*	8/2017	Factor	D12/211

* cited by examiner

Primary Examiner — George D. Kirschbaum

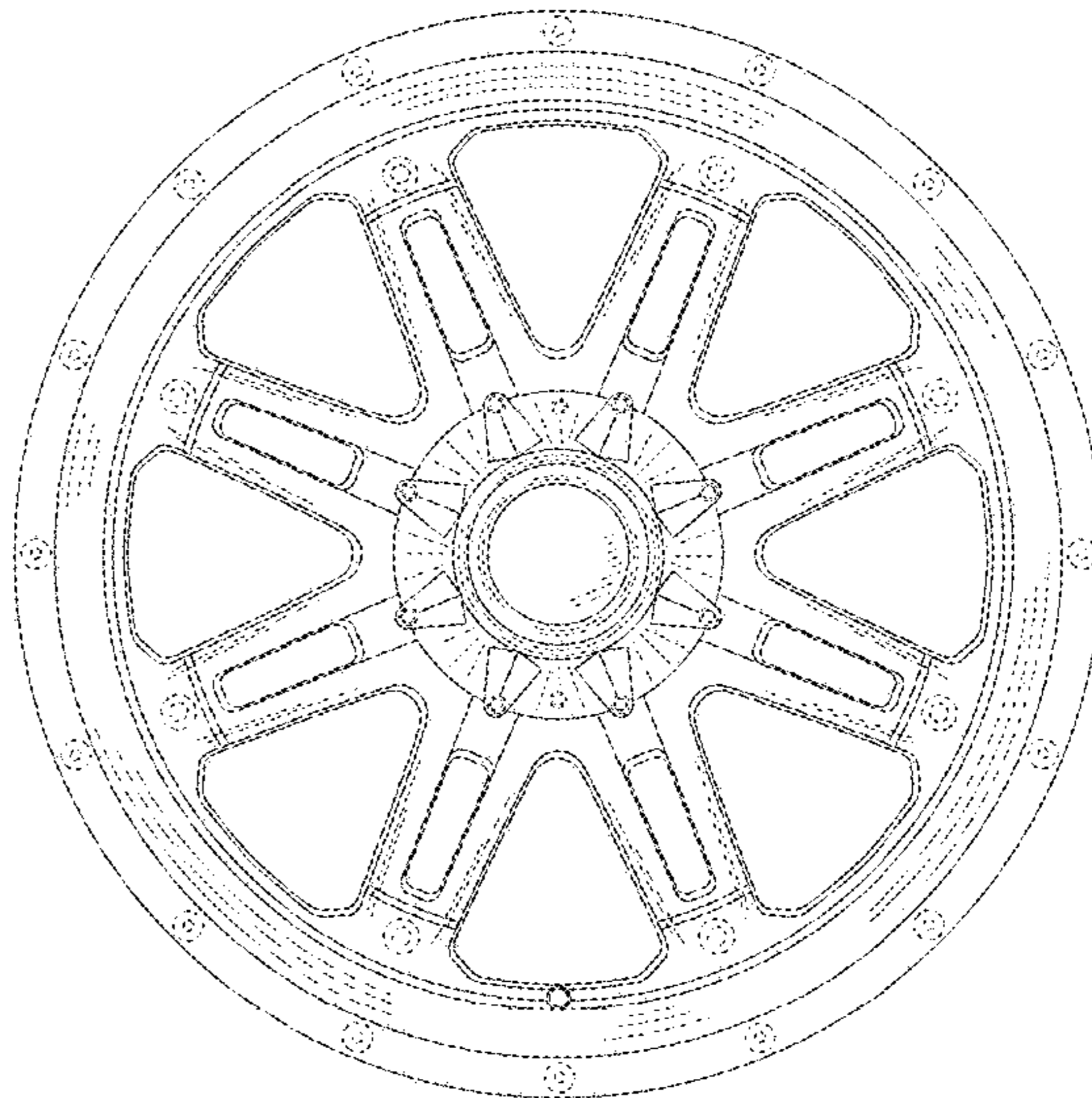
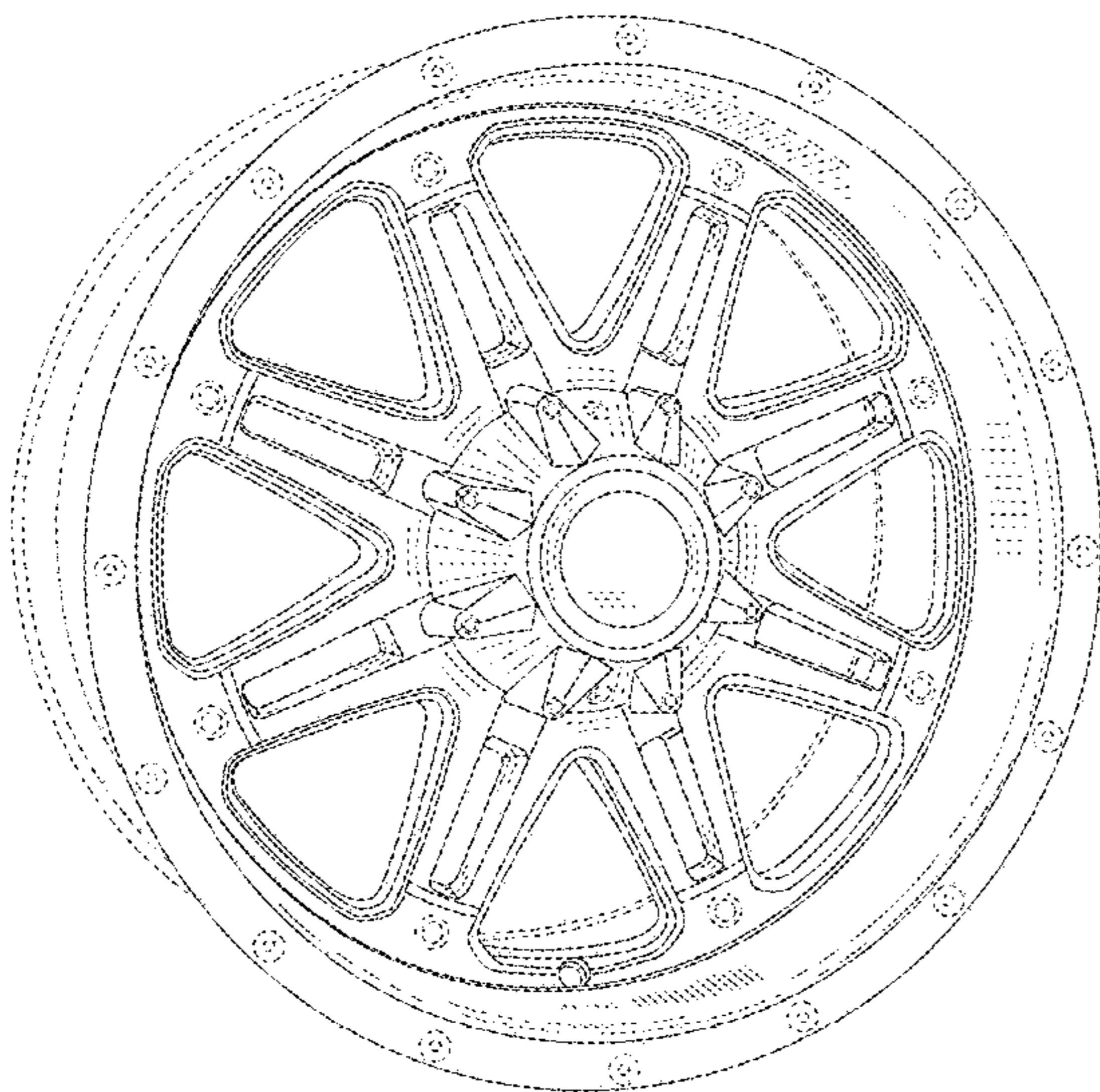
(57) **CLAIM**

The ornamental design for an automotive wheel, as shown and described.

DESCRIPTION

FIG. 1 is a perspective view of an automotive wheel front face showing my new design; and, FIG. 2 is a front elevational view thereof. In the drawings, the broken lines depict environmental subject matter only and form no part of the claimed design.

1 Claim, 2 Drawing Sheets



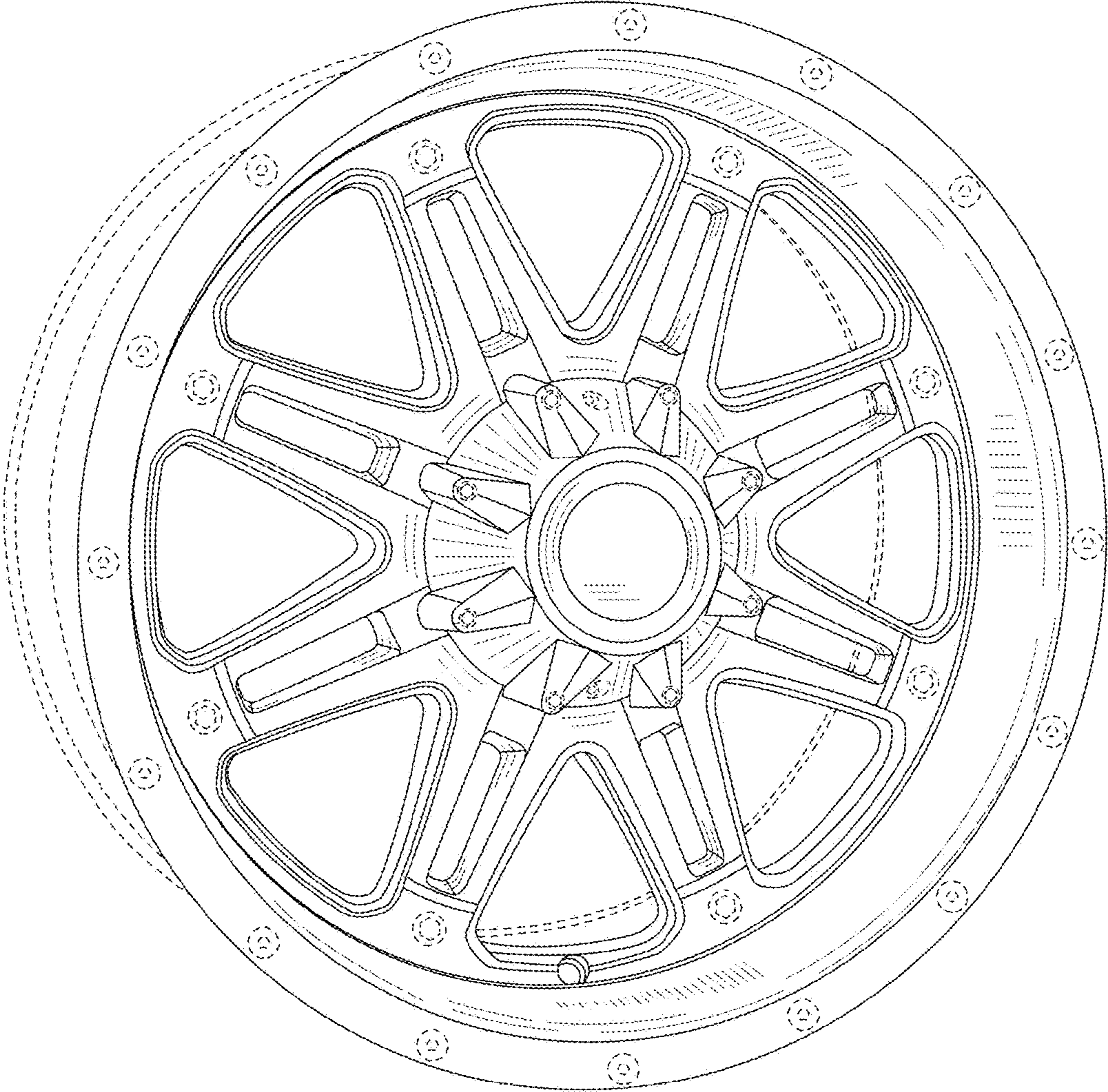


FIG. 1

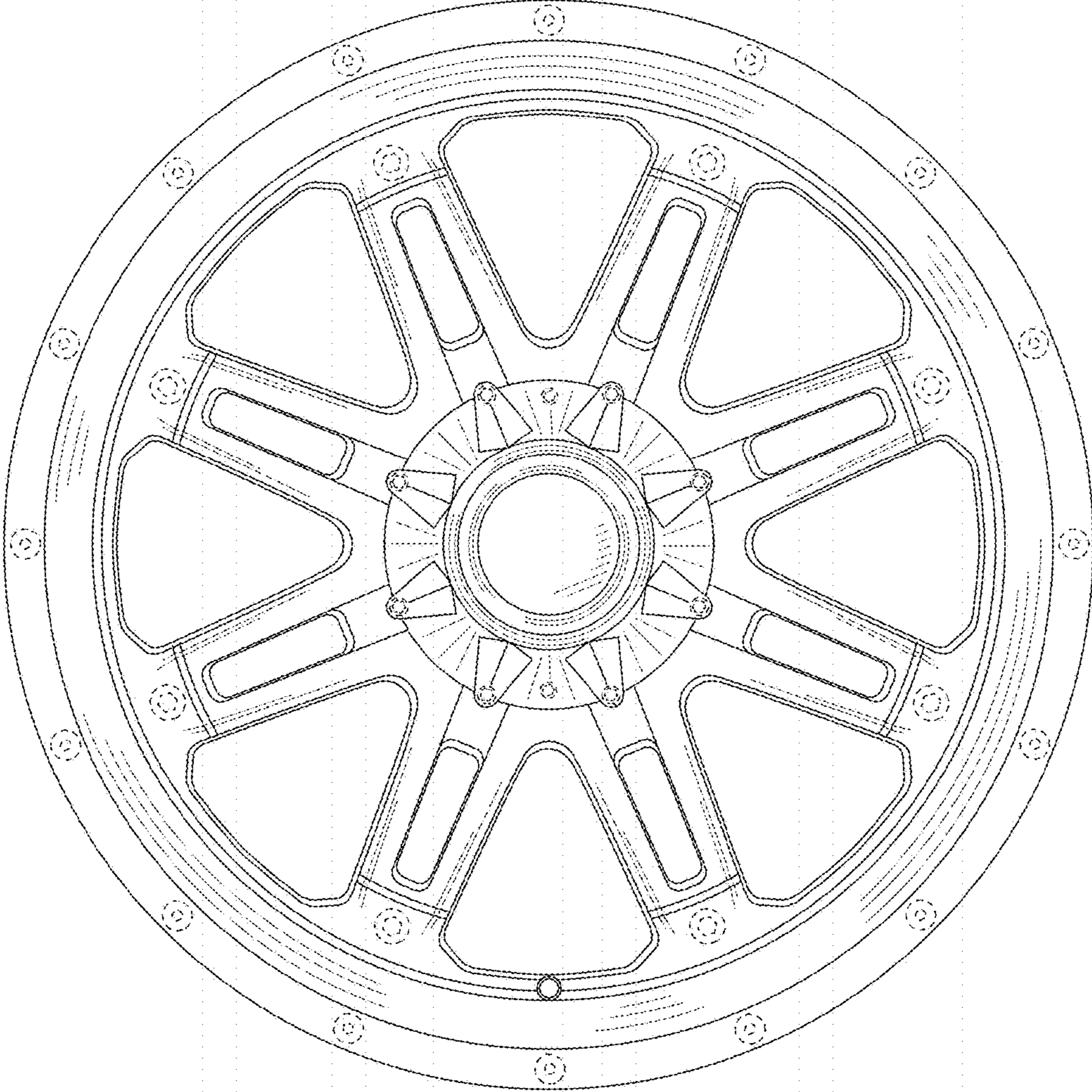


FIG. 2