



US00D818411S

(12) **United States Design Patent**
Kawaguchi

(10) **Patent No.:** **US D818,411 S**

(45) **Date of Patent:** **** May 22, 2018**

(54) **WHEEL FOR AN AUTOMOBILE**
(71) Applicant: **Honda Motor Co., Ltd.**, Tokyo (JP)
(72) Inventor: **Shogo Kawaguchi**, Wako (JP)
(73) Assignee: **HONDA MOTOR CO., LTD.**, Tokyo (JP)

(**) Term: **15 Years**

(21) Appl. No.: **29/593,195**

(22) Filed: **Feb. 7, 2017**

(30) **Foreign Application Priority Data**

Aug. 8, 2016 (JP) 2016-016949

(51) **LOC (11) Cl.** **12-16**

(52) **U.S. Cl.**
USPC **D12/209**

(58) **Field of Classification Search**
USPC D12/204–213
CPC B60B 7/00; B60B 7/02; B60B 7/04; B60B 7/06; B60B 3/02; B60B 3/04; B60B 3/06; B60B 3/10
See application file for complete search history.

(56) **References Cited**

U.S. PATENT DOCUMENTS

D652,361 S * 1/2012 Forschner D12/209
D682,176 S * 5/2013 Badstuebner D12/209
D707,171 S * 6/2014 Hammerbeck D12/211
D723,989 S * 3/2015 Morikawa D12/209

D726,086 S * 4/2015 Muntada Roura D12/209
D748,031 S * 1/2016 Miyazawa D12/209
D748,553 S * 2/2016 Miyazawa D12/209
D759,565 S * 6/2016 Cybulski D12/209
D759,566 S * 6/2016 Valencia Pollex D12/211
D774,434 S * 12/2016 Nakahara D12/209
D781,761 S * 3/2017 Lee D12/209
D789,862 S * 6/2017 Yoneyama D12/209
D791,046 S * 7/2017 Ishii D12/209
D792,306 S * 7/2017 Ishigaki D12/209
D795,778 S * 8/2017 Valencia Pollex D12/211
D804,391 S * 12/2017 Ishii D12/209
D806,629 S * 1/2018 Bridan D12/211

* cited by examiner

Primary Examiner — Sheryl Lane

Assistant Examiner — Calvin E Vansant

(74) *Attorney, Agent, or Firm* — Westerman, Hattori, Daniels & Adrian, LLP

(57) **CLAIM**

The ornamental design for a wheel for an automobile, as shown and described herein.

DESCRIPTION

FIG. 1 is a front perspective view of a wheel for an automobile.

FIG. 2 is an enlarged partial front perspective view of a wheel for an automobile; and,

FIG. 3 is a front view of a wheel for an automobile.

The broken lines in the drawings illustrate portions of the wheel for an automobile that forms no part of the claimed design.

1 Claim, 3 Drawing Sheets

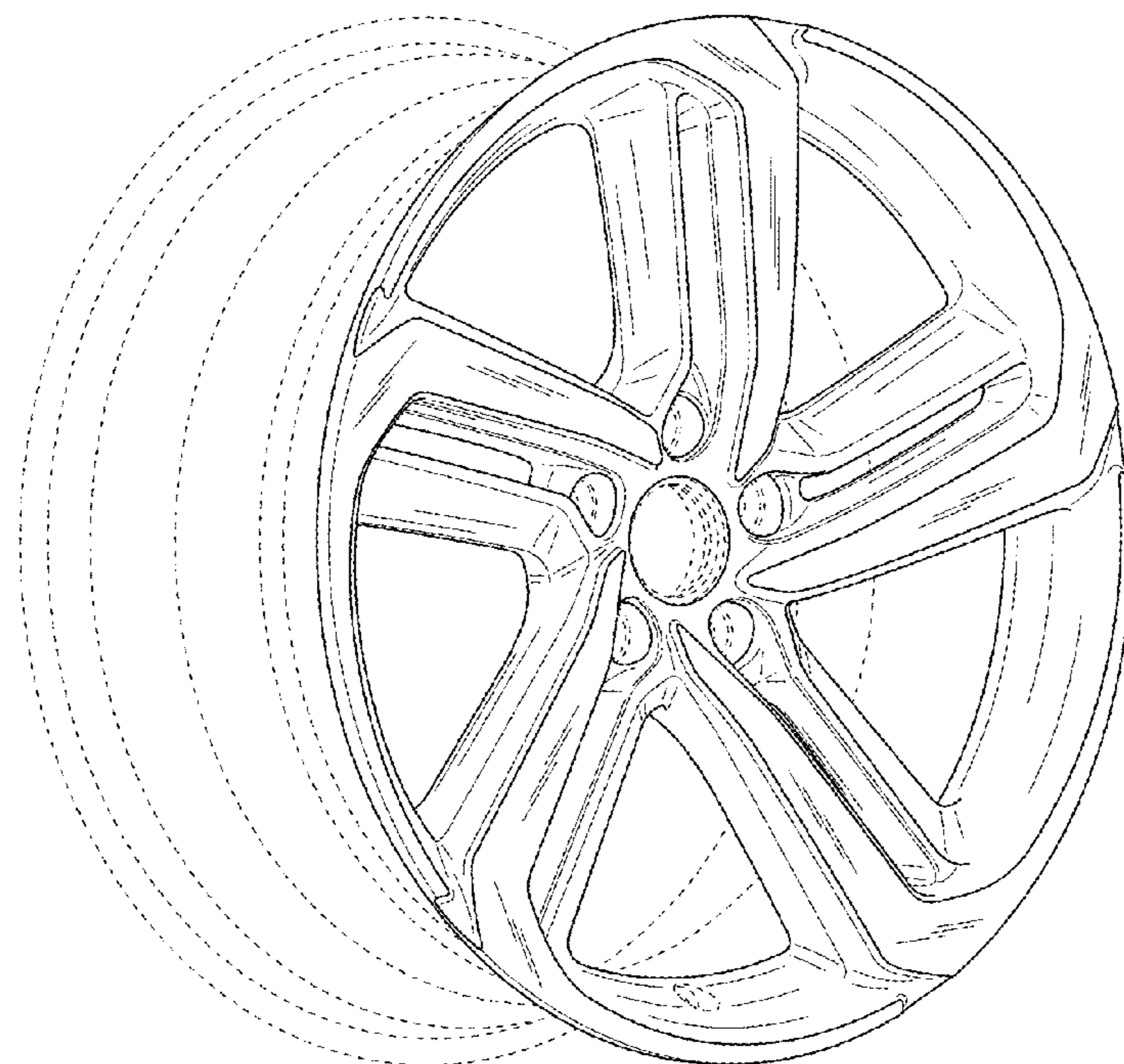


FIG. 1

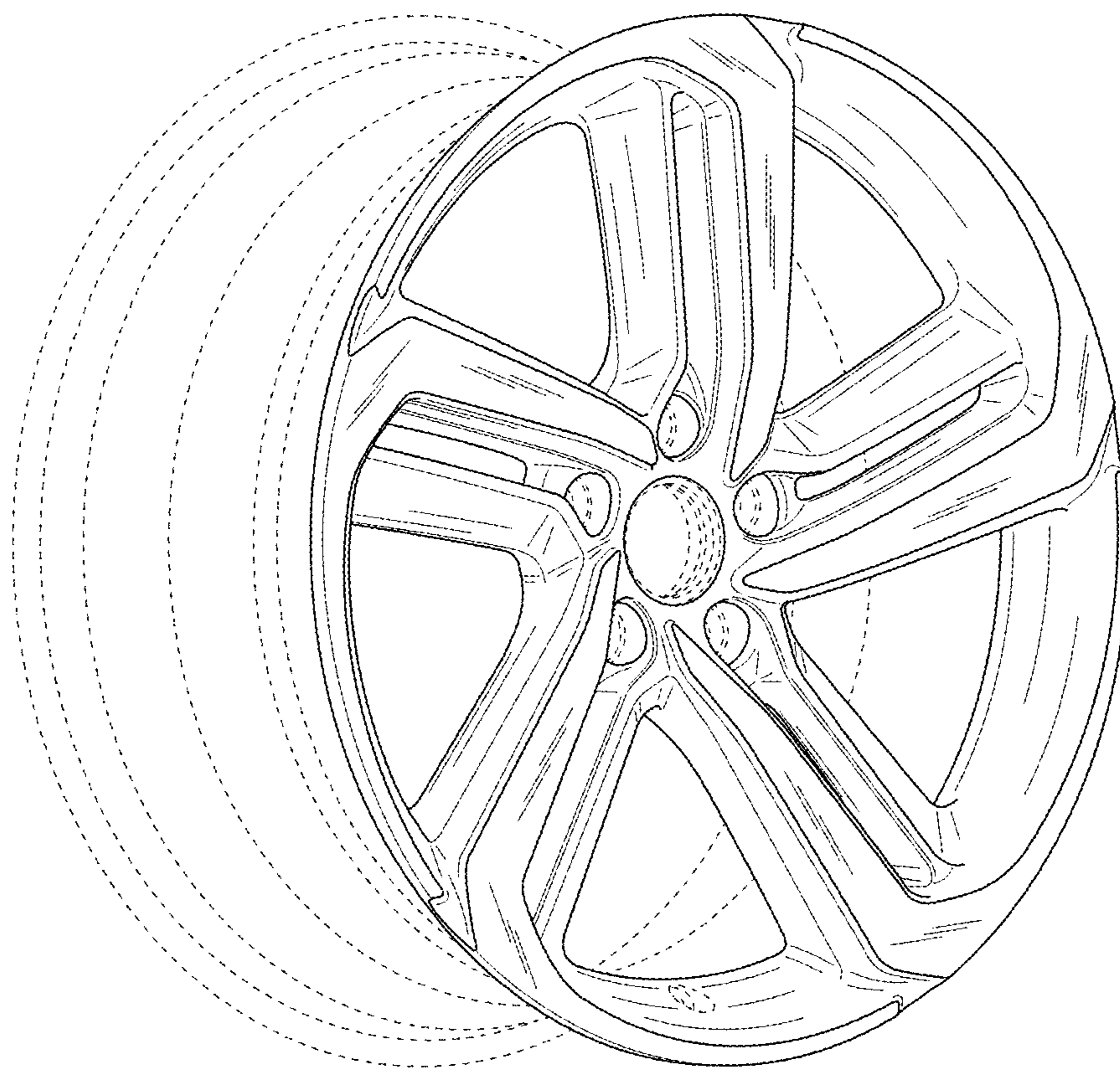


FIG. 2

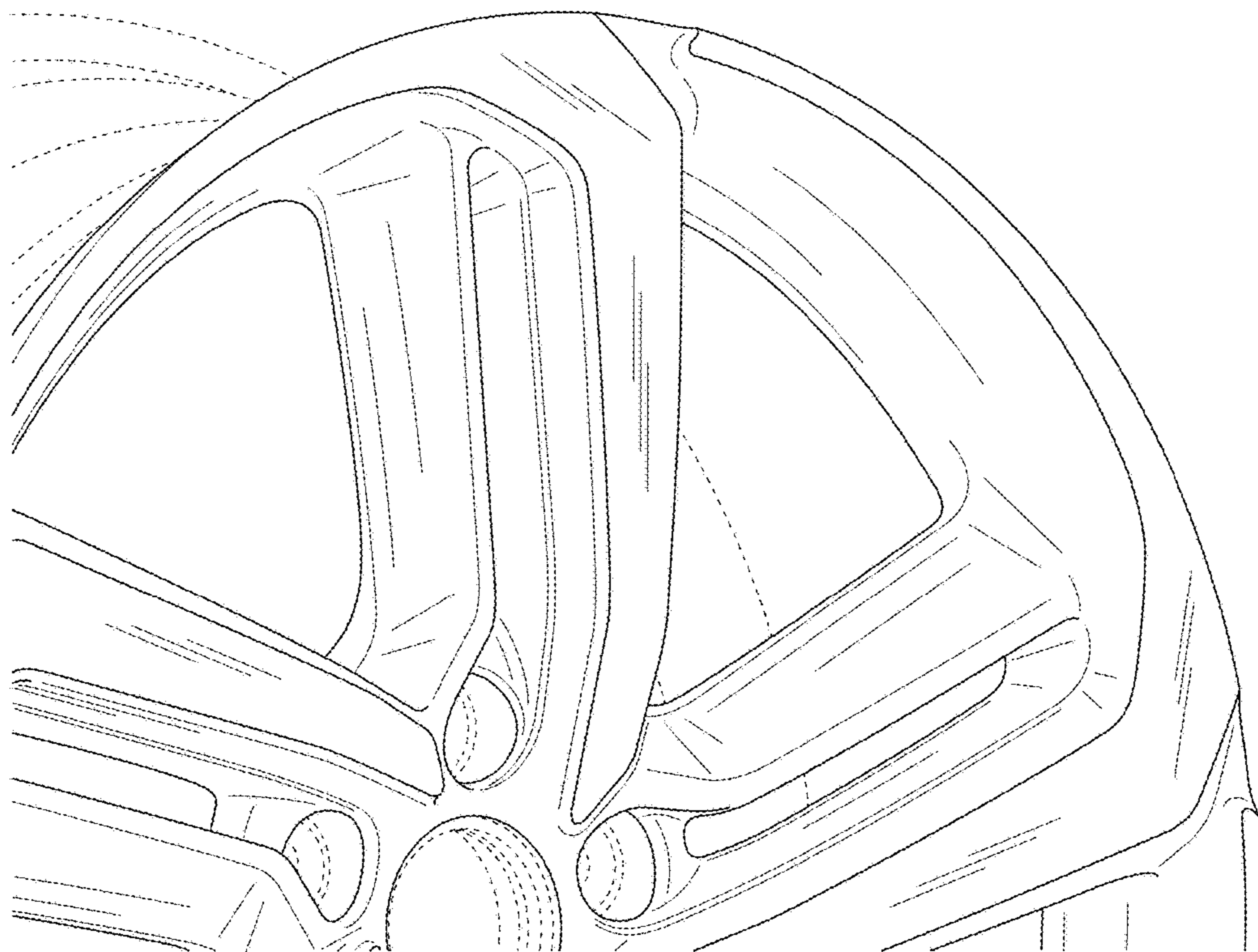


FIG. 3

