



US00D818406S

(12) **United States Design Patent** (10) **Patent No.:** **US D818,406 S**
McMahan et al. (45) **Date of Patent:** **** May 22, 2018**

- (54) **VEHICLE FRONT FENDER**
- (71) Applicant: **GM GLOBAL TECHNOLOGY OPERATIONS LLC**, Detroit, MI (US)
- (72) Inventors: **Robert B. McMahan**, Bloomfield Hills, MI (US); **Gary W. Ruiz**, Royal Oak, MI (US)
- (73) Assignee: **GM Global Technology Operations LLC**, Detroit, MI (US)
- (**) Term: **15 Years**
- (21) Appl. No.: **29/581,001**
- (22) Filed: **Oct. 14, 2016**
- (51) **LOC (11) Cl.** **12-16**
- (52) **U.S. Cl.**
USPC **D12/184**
- (58) **Field of Classification Search**
USPC D12/414, 415, 416, 417, 418, 419, 420, D12/421, 422, 423, 424, 425, 426, 190, D12/192, 195, 191, 106, 345, 96, 99, 400, D12/181, 184, 185, 170, 169
CPC .. B60R 7/04; B60R 7/18; B62D 24/18; B62D 24/16; B62D 24/161; B62D 24/168; B62D 24/182; B62D 24/184
See application file for complete search history.

- D605,082 S 12/2009 Munson
- D605,083 S 12/2009 Manoogian, II et al.
- D605,977 S 12/2009 Zipfel et al.
- D605,978 S 12/2009 Wolff et al.
- D608,249 S 1/2010 Peters
- D608,690 S 1/2010 Folden et al.
- D608,691 S 1/2010 Zak, Jr. et al.
- D609,608 S 2/2010 Boniface et al.
- D611,387 S 3/2010 Thompson et al.
- D611,879 S 3/2010 Kim et al.
- D612,297 S 3/2010 Peters et al.
- D613,645 S 4/2010 Song et al.
- D615,458 S 5/2010 Thompson et al.
- D618,595 S 6/2010 Ware et al.
- D623,090 S 9/2010 Cox et al.
- D627,262 S 11/2010 Ikeda et al.
- D635,488 S 4/2011 Phipps
- D644,147 S 8/2011 Suh et al.
- D644,567 S 9/2011 Kozub
- D654,413 S * 2/2012 Okumoto D12/184
- D657,718 S 4/2012 Zipfel et al.
- D659,052 S 5/2012 Ware et al.
- D659,053 S 5/2012 Ware et al.
- D668,182 S 10/2012 Franco et al.

(Continued)

Primary Examiner — Karen S Acker
Assistant Examiner — Jerry Shiuan-Hua Hsu
(74) *Attorney, Agent, or Firm* — Reising Ethington P.C.

(57) **CLAIM**

The ornamental design for a vehicle front fender, as shown and described.

DESCRIPTION

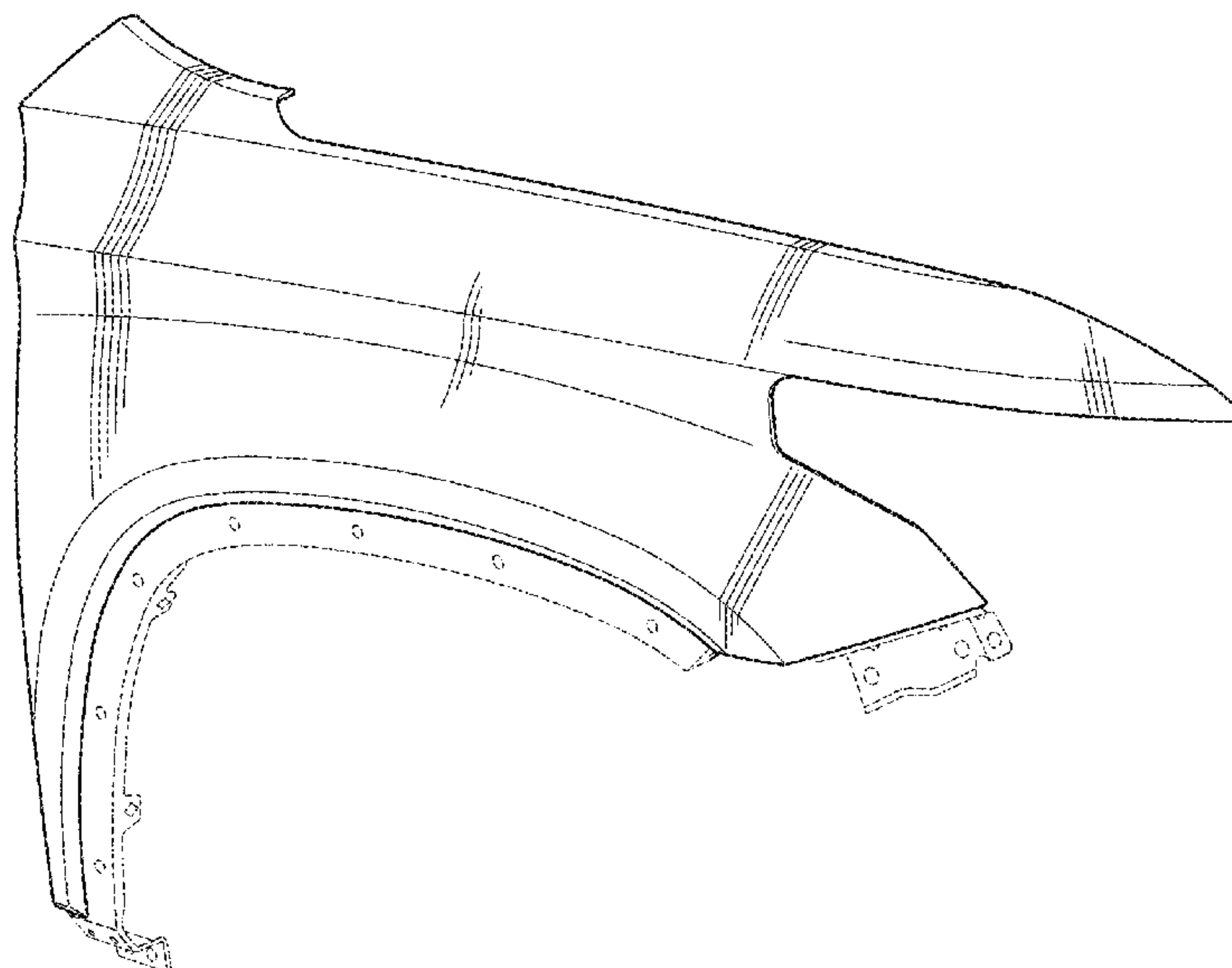
FIG. 1 is a perspective view of the vehicle front fender; FIG. 2 is a front view thereof; FIG. 3 is a side view thereof; and, FIG. 4 is a top view thereof. The broken lines shown in the drawings depict portions of the vehicle front fender that form no part of the claimed design.

1 Claim, 2 Drawing Sheets

(56) **References Cited**

U.S. PATENT DOCUMENTS

- D570,742 S 6/2008 Takagi et al.
- D591,213 S * 4/2009 Woolley D12/184
- D592,105 S 5/2009 Dean et al.
- D597,447 S 8/2009 Folden
- D600,595 S 9/2009 Nakamura et al.
- D601,925 S 10/2009 O'Donnell
- D603,755 S 11/2009 Peters
- D604,203 S 11/2009 O'Donnell



(56)

References Cited

U.S. PATENT DOCUMENTS

D668,183 S	10/2012	Smart		D743,309 S	11/2015	Thole et al.	
D678,820 S	3/2013	Son et al.		D743,313 S	11/2015	Smith et al.	
D678,821 S	3/2013	Ikeda et al.		D743,314 S	11/2015	Thole et al.	
D680,909 S	4/2013	Munson et al.		D743,857 S	11/2015	McMahan et al.	
D680,910 S	4/2013	David		D744,158 S	11/2015	Willett et al.	
D683,679 S *	6/2013	Platto	D12/184	D745,086 S	12/2015	Finos et al.	
D684,899 S	6/2013	Baker		D745,719 S	12/2015	Boniface et al.	
D686,536 S	7/2013	McCabe et al.		D745,725 S	12/2015	McMahan et al.	
D692,798 S	11/2013	Thurber		D745,726 S	12/2015	McMahan et al.	
D692,799 S	11/2013	Smith et al.		D745,837 S	12/2015	Smith et al.	
D696,157 S	12/2013	Loeb		D746,726 S	1/2016	Smith et al.	
D697,843 S *	1/2014	Suga	D12/184	D746,727 S	1/2016	Smith et al.	
D699,629 S	2/2014	Ikeda et al.		D746,728 S	1/2016	Smith et al.	
D700,871 S	3/2014	O'Donnell et al.		D746,729 S	1/2016	Boniface et al.	
D703,103 S	4/2014	Lee		D746,730 S	1/2016	Kim et al.	
D704,103 S	5/2014	Mack et al.		D747,514 S	1/2016	McMahan et al.	
D705,132 S	5/2014	Ware et al.		D747,515 S	1/2016	McMahan et al.	
D705,699 S	5/2014	Ware et al.		D747,819 S	1/2016	Thole et al.	
D713,298 S	9/2014	Dyson		D749,021 S	2/2016	Boniface et al.	
D713,764 S	9/2014	Ferlazzo et al.		D749,026 S	2/2016	Smith et al.	
D716,696 S	11/2014	Thole et al.		D749,027 S	2/2016	McMahan et al.	
D716,706 S	11/2014	Thole et al.		D749,246 S	2/2016	Thole et al.	
D716,709 S	11/2014	Thole et al.		D749,249 S	2/2016	Thole et al.	
D717,696 S	11/2014	Thole et al.		D749,250 S	2/2016	Thole et al.	
D718,189 S	11/2014	Krieg et al.		D749,985 S	2/2016	Kozub et al.	
D718,683 S	12/2014	Thole et al.		D749,997 S	2/2016	McMahan et al.	
D718,687 S *	12/2014	Ishizuka	D12/184	D750,001 S	2/2016	Thole et al.	
D722,282 S	2/2015	Loeb		D753,032 S	4/2016	Smith et al.	
D722,533 S	2/2015	Thole et al.		D753,033 S	4/2016	Thole et al.	
D722,534 S	2/2015	Munson et al.		D753,034 S	4/2016	Thole et al.	
D724,510 S	3/2015	McMahan et al.		D753,035 S	4/2016	Boniface et al.	
D725,001 S	3/2015	McMahan et al.		D753,559 S	4/2016	McMahan et al.	
D726,591 S	4/2015	Jacob		D753,560 S	4/2016	McMahan et al.	
D730,776 S	6/2015	Smart		D753,567 S	4/2016	Boniface et al.	
D730,783 S	6/2015	Henriques et al.		D754,571 S	4/2016	Boniface et al.	
D731,373 S *	6/2015	Howell	D12/184	D754,572 S	4/2016	McMahan et al.	
D732,427 S	6/2015	Loeb		D755,088 S	5/2016	McMahan et al.	
D732,429 S	6/2015	Loeb		D755,096 S *	5/2016	Wolff	D12/184
D732,430 S	6/2015	Loeb		D756,869 S	5/2016	McMahan et al.	
D732,431 S	6/2015	Loeb		D758,271 S	6/2016	McMahan et al.	
D732,432 S	6/2015	Aengenheyster		D758,935 S *	6/2016	Platto	D12/184
D732,433 S	6/2015	Aengenheyster		D763,753 S *	8/2016	Hammoud	D12/184
D732,435 S	6/2015	Mackay		D767,449 S	9/2016	Pevovar et al.	
D733,002 S	6/2015	Loeb		D767,450 S	9/2016	Lee et al.	
D735,611 S	8/2015	Aengenheyster		D767,451 S	9/2016	Kozub et al.	
D735,627 S	8/2015	Smith		D767,454 S	9/2016	McMahan et al.	
D736,451 S	8/2015	Smith		D767,458 S	9/2016	Kim	
D739,306 S	9/2015	McMahan et al.		D767,459 S	9/2016	Kim	
D739,317 S	9/2015	McMahan et al.		D767,460 S	9/2016	Kozub et al.	
D740,188 S *	10/2015	Blanski	D12/184	D767,461 S	9/2016	Kozub et al.	
D741,223 S	10/2015	Kim et al.		D768,551 S *	10/2016	Arroba	D12/196
				D769,162 S *	10/2016	Rodriguez	D12/184
				D789,856 S *	6/2017	Wolff	D12/196

* cited by examiner

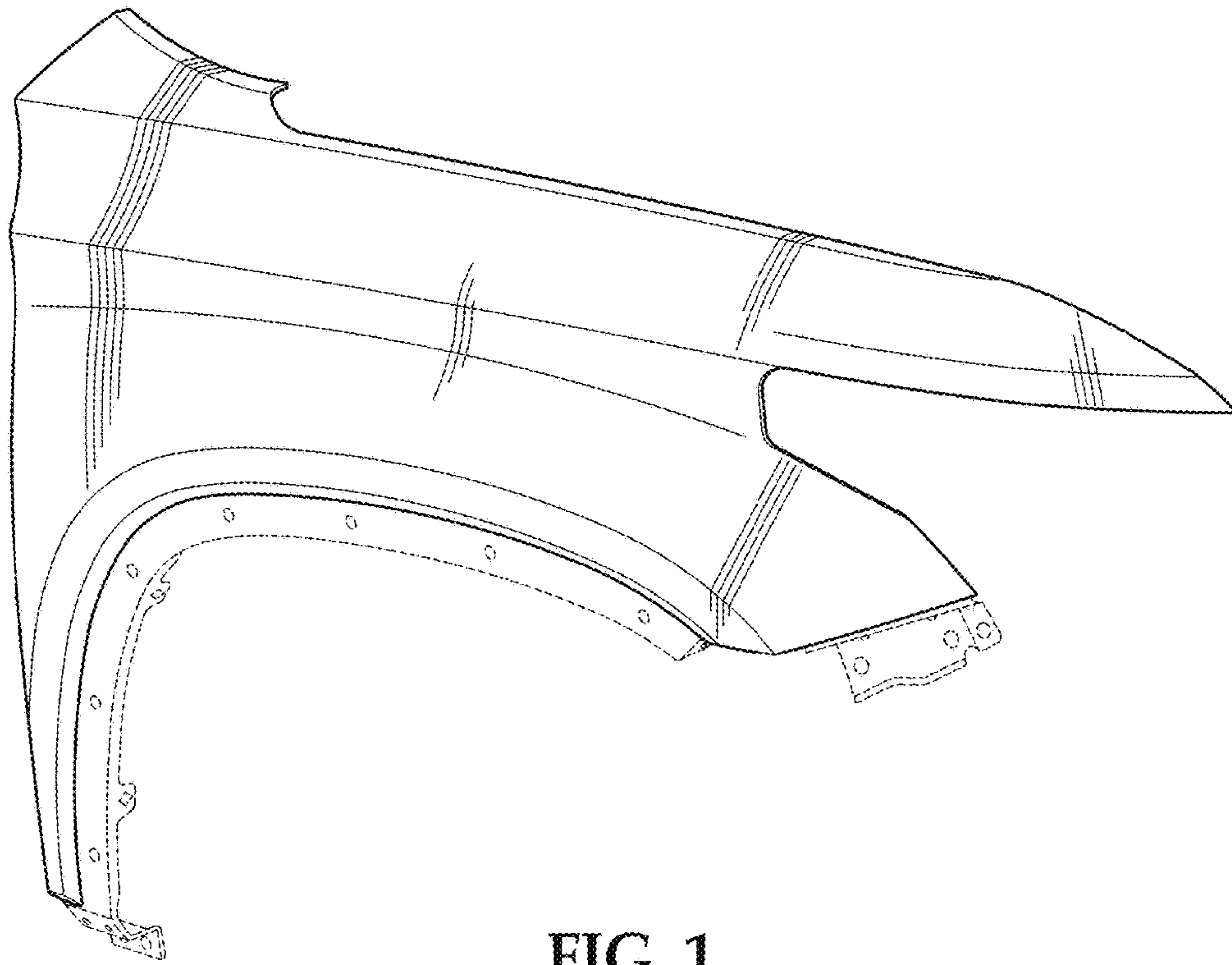


FIG. 1

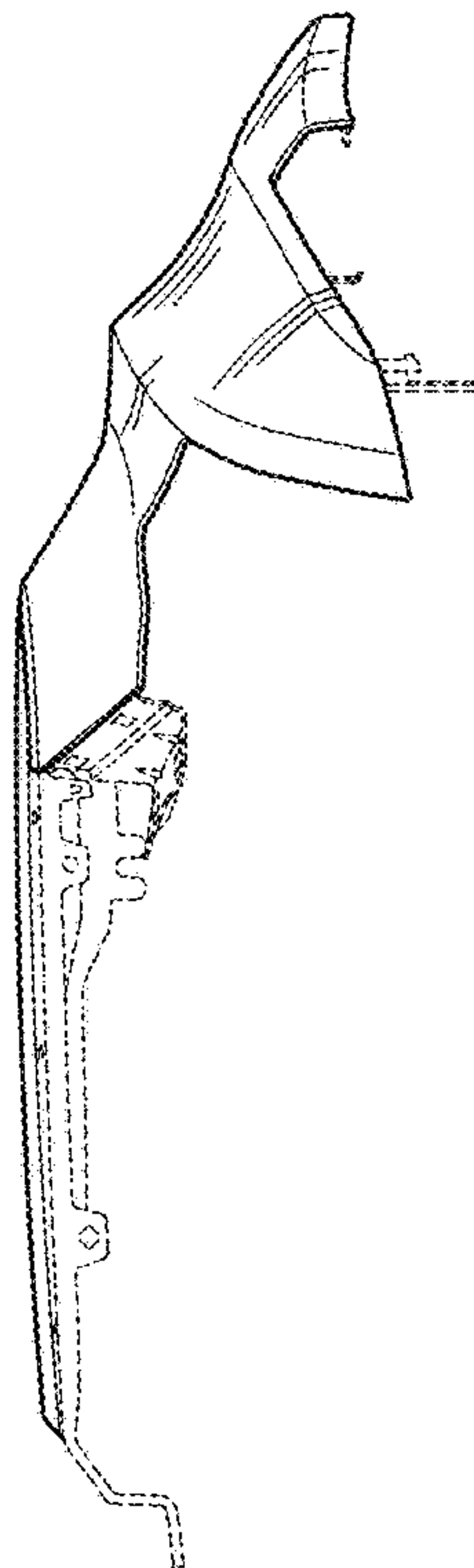


FIG. 2

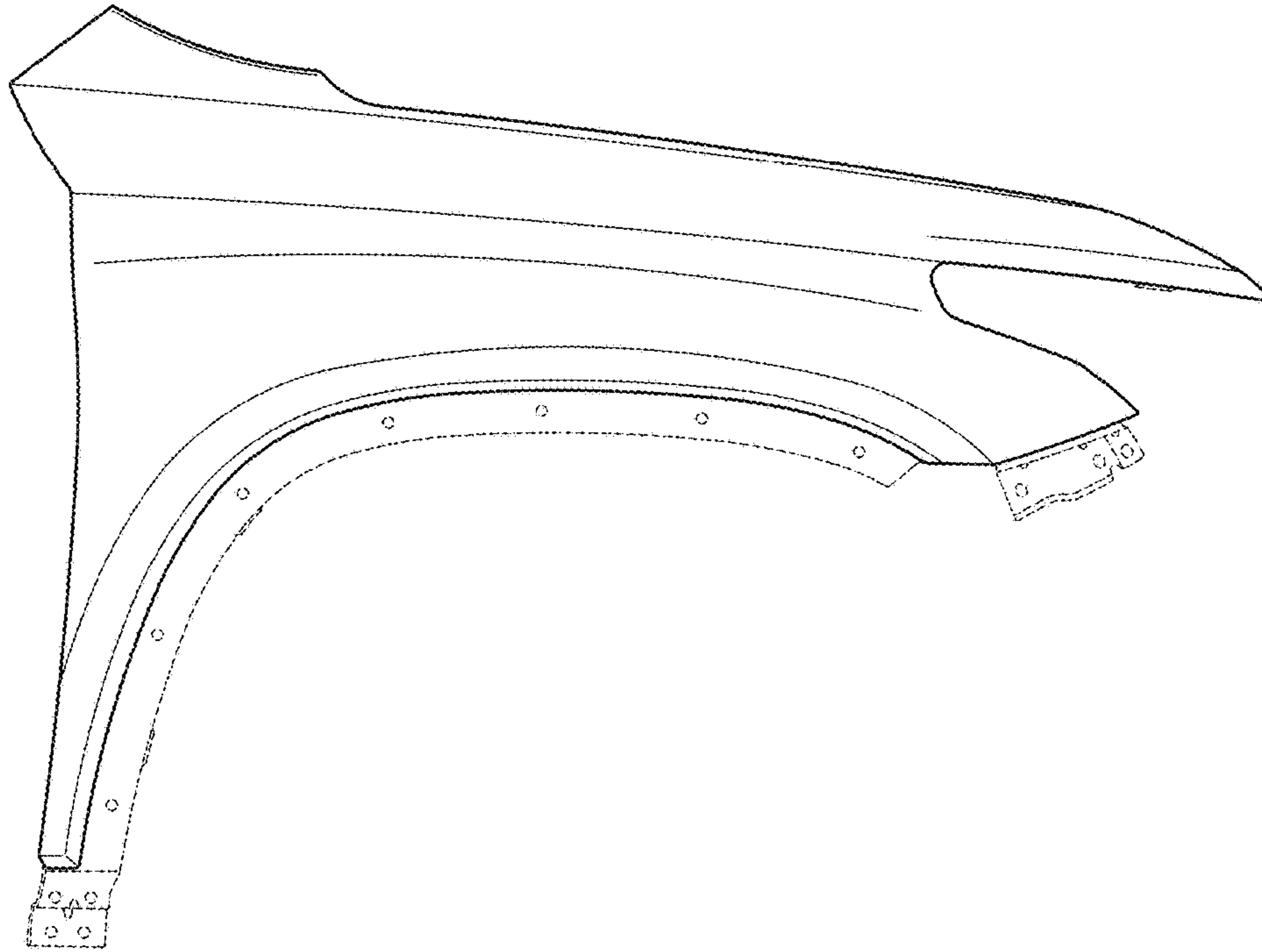


FIG. 3

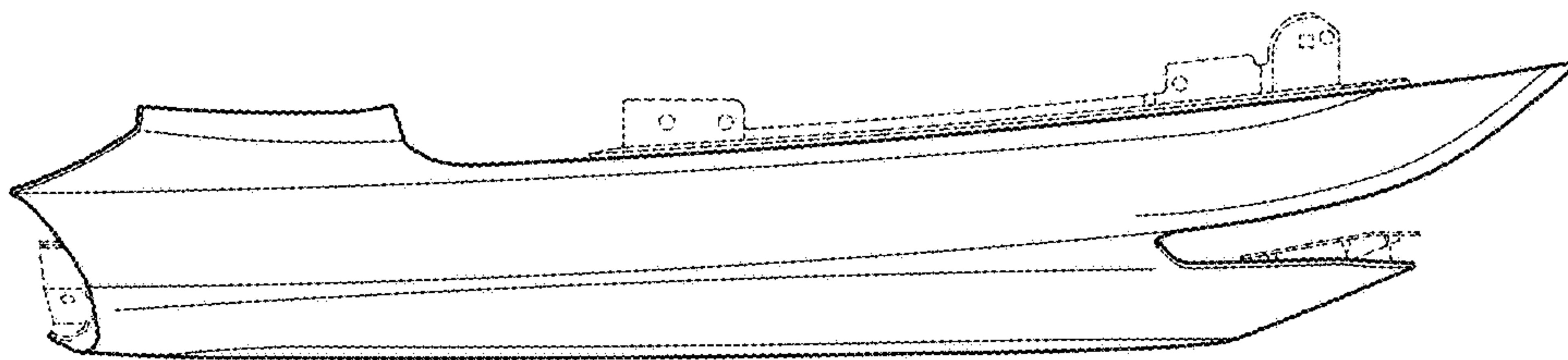


FIG. 4