



US00D818405S

(12) **United States Design Patent**
Choi et al.

(10) **Patent No.:** **US D818,405 S**
(45) **Date of Patent:** **** May 22, 2018**

- (54) **FRONT BUMPER FOR AUTOMOBILE**
- (71) Applicant: **Nissan Motor Co., Ltd.**, Yokohama, Kanagawa (JP)
- (72) Inventors: **Jinwook Choi**, Tokyo (JP); **Shin Minamiyama**, Kanagawa (JP)
- (73) Assignee: **Nissan Motor Co., Ltd.**, Yokohama (JP)

D738,788 S *	9/2015	Garand	D12/92
D753,561 S *	4/2016	Iwauchi	D12/169
D768,547 S *	10/2016	Choi	D12/169
D773,966 S *	12/2016	Choi	D12/169
D775,012 S *	12/2016	Tomita	D12/169
D784,214 S *	4/2017	Kanasugi	D12/169
D787,988 S *	5/2017	Lee	D12/163
D787,990 S *	5/2017	Kozub	D12/169
D788,656 S *	6/2017	Svensson	D12/163
D789,840 S *	6/2017	Curic	D12/163
2017/0129430 A1 *	5/2017	Aizawa	B60R 19/18
2017/0144533 A1 *	5/2017	Gilotte	B60K 11/085

(**) Term: **15 Years**

* cited by examiner

(21) Appl. No.: **29/573,279**

Primary Examiner — Ian Simmons

(22) Filed: **Aug. 4, 2016**

Assistant Examiner — Yolanda Robinson

(30) **Foreign Application Priority Data**

Feb. 5, 2016 (JP) 2016-002492

(51) **LOC (11) Cl.** **12-16**

(52) **U.S. Cl.**
USPC **D12/170**

(58) **Field of Classification Search**
USPC D12/86, 88, 90, 91, 92, 163–172;
296/35.2, 193.09, 193.1, 203.2;
293/102–155
CPC B60R 19/02; B60R 19/023; B60R 19/18;
B60R 19/24; B60R 19/44; B60R 19/48
See application file for complete search history.

(56) **References Cited**

U.S. PATENT DOCUMENTS

D495,979 S *	9/2004	Metros	D12/163
7,100,973 B2 *	9/2006	Aigner	B60R 19/52 296/193.1
D576,086 S *	9/2008	Ishizuka	D12/163
D682,169 S *	5/2013	Choi	D12/169
D711,789 S *	8/2014	Sahara	D12/163

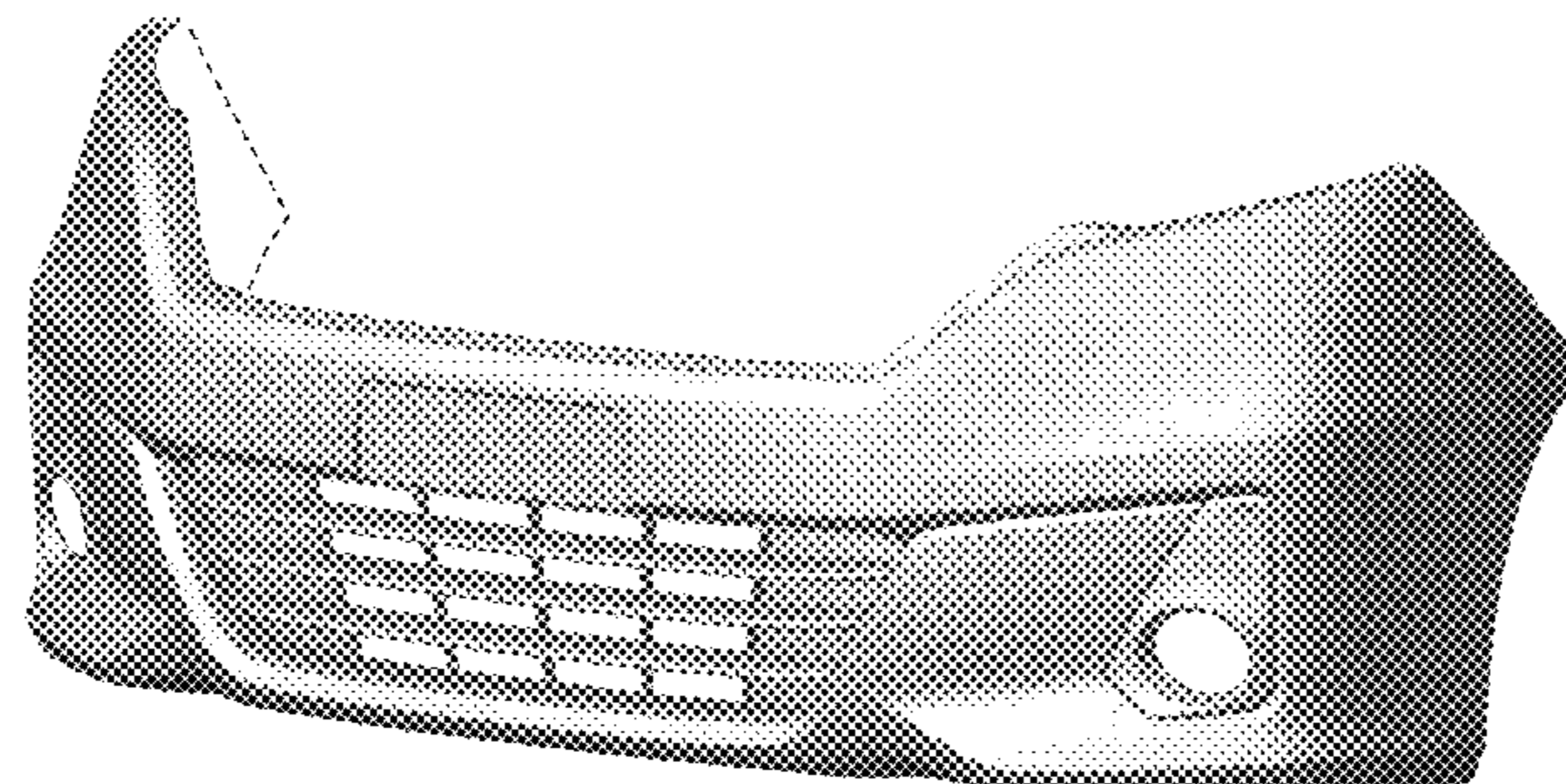
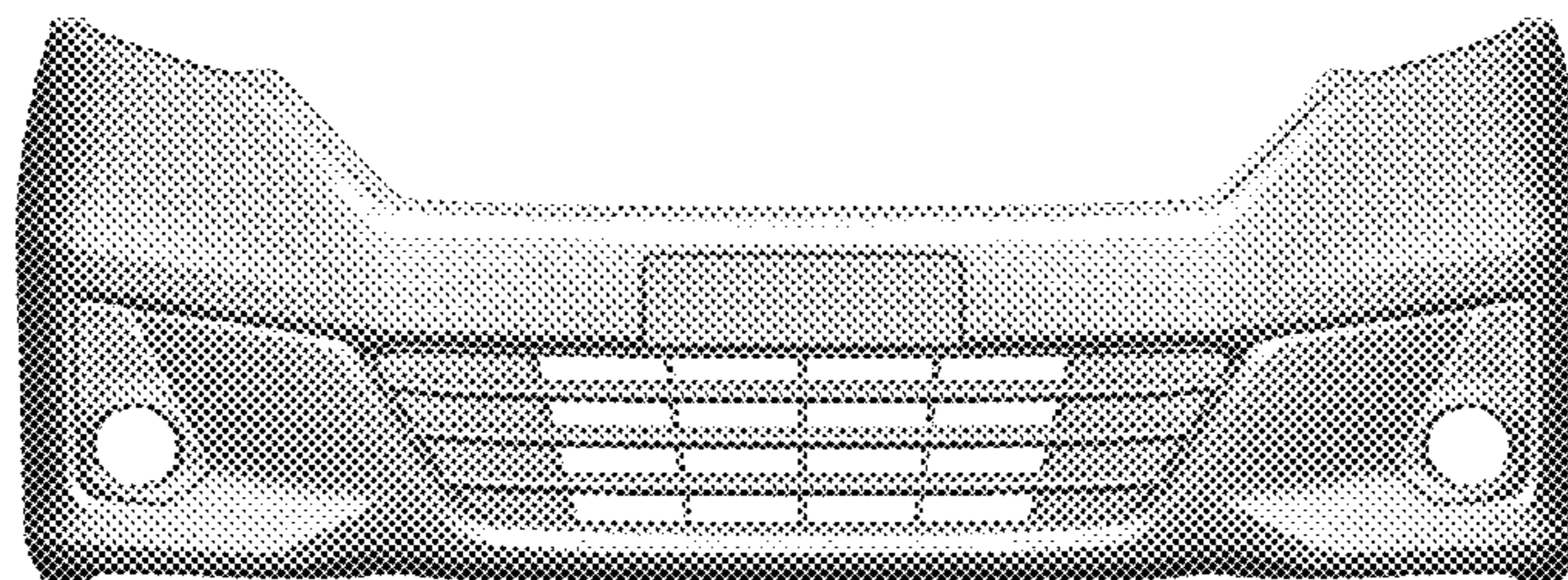
(57) **CLAIM**

The ornamental design for a front bumper for an automobile, as shown and described.

DESCRIPTION

FIG. 1 is a front view of a front bumper for automobile in accordance with our new design;
 FIG. 2 is a top plan view thereof;
 FIG. 3 is a bottom plan view thereof;
 FIG. 4 is a right side elevational view thereof;
 FIG. 5 is a left side elevational view thereof;
 FIG. 6 is a front right and top side perspective view thereof; and,
 FIG. 7 is a front, left and bottom side perspective view thereof.
 The rear view of the front bumper forms no part of the claimed design. The inside of the front bumper form no part of the claimed design.
 The broken lines shown represent unclaimed subject matter and form no part of the claimed design.

1 Claim, 7 Drawing Sheets



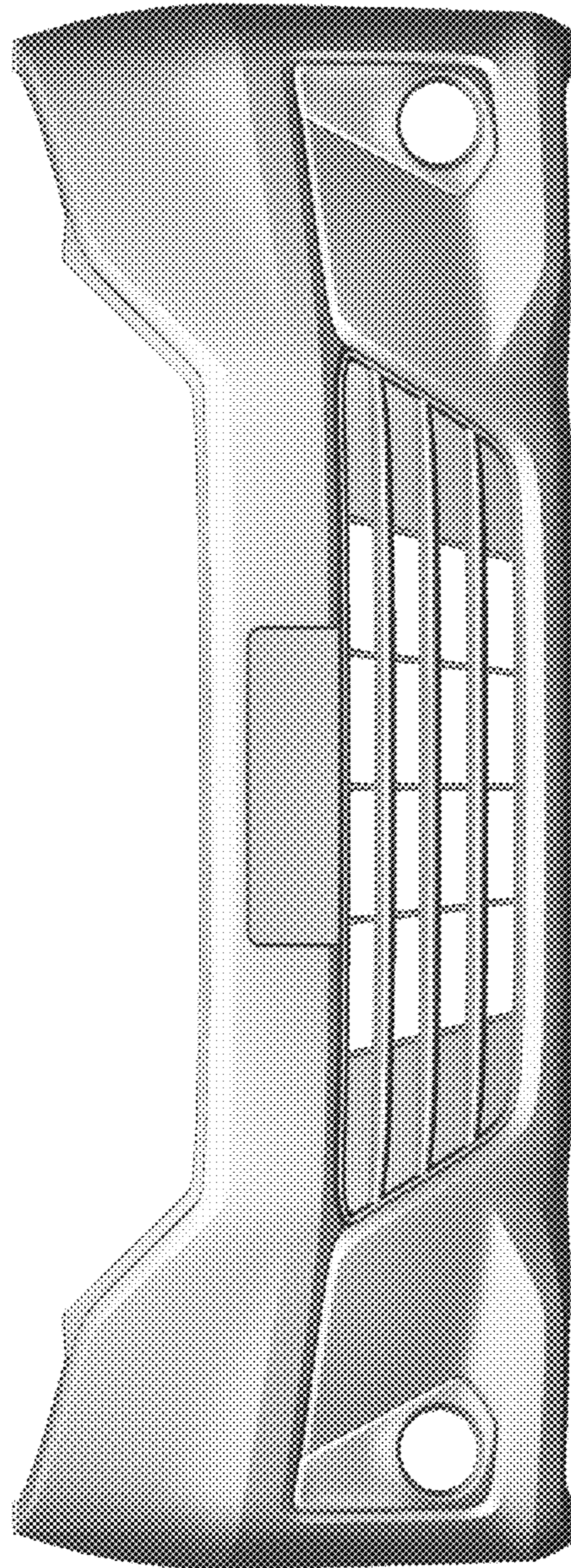


FIG. 1

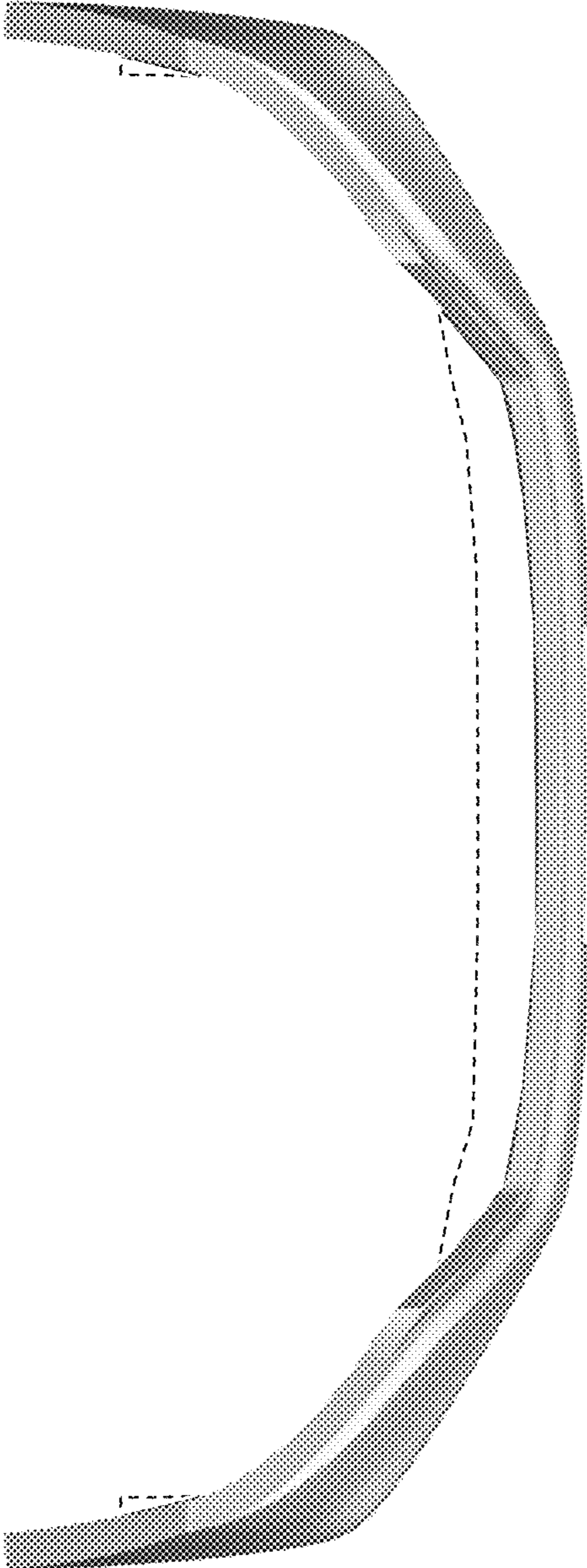


FIG. 2

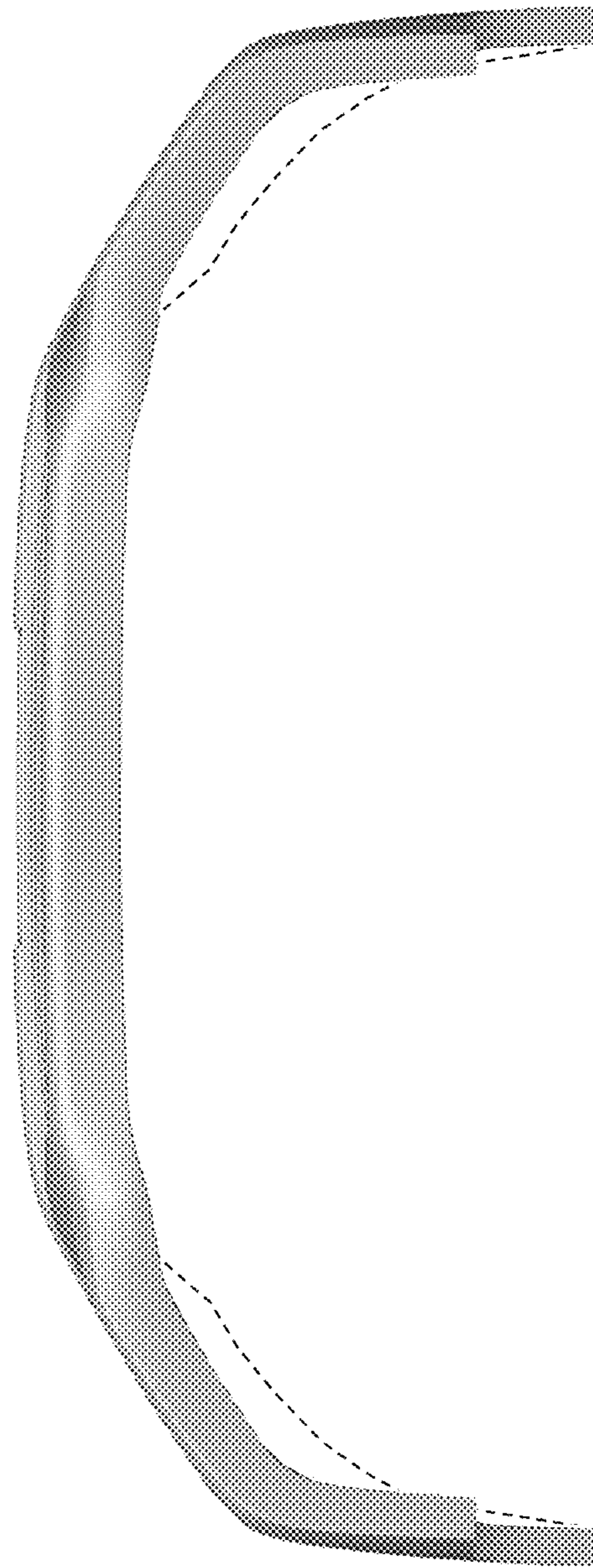


FIG. 3

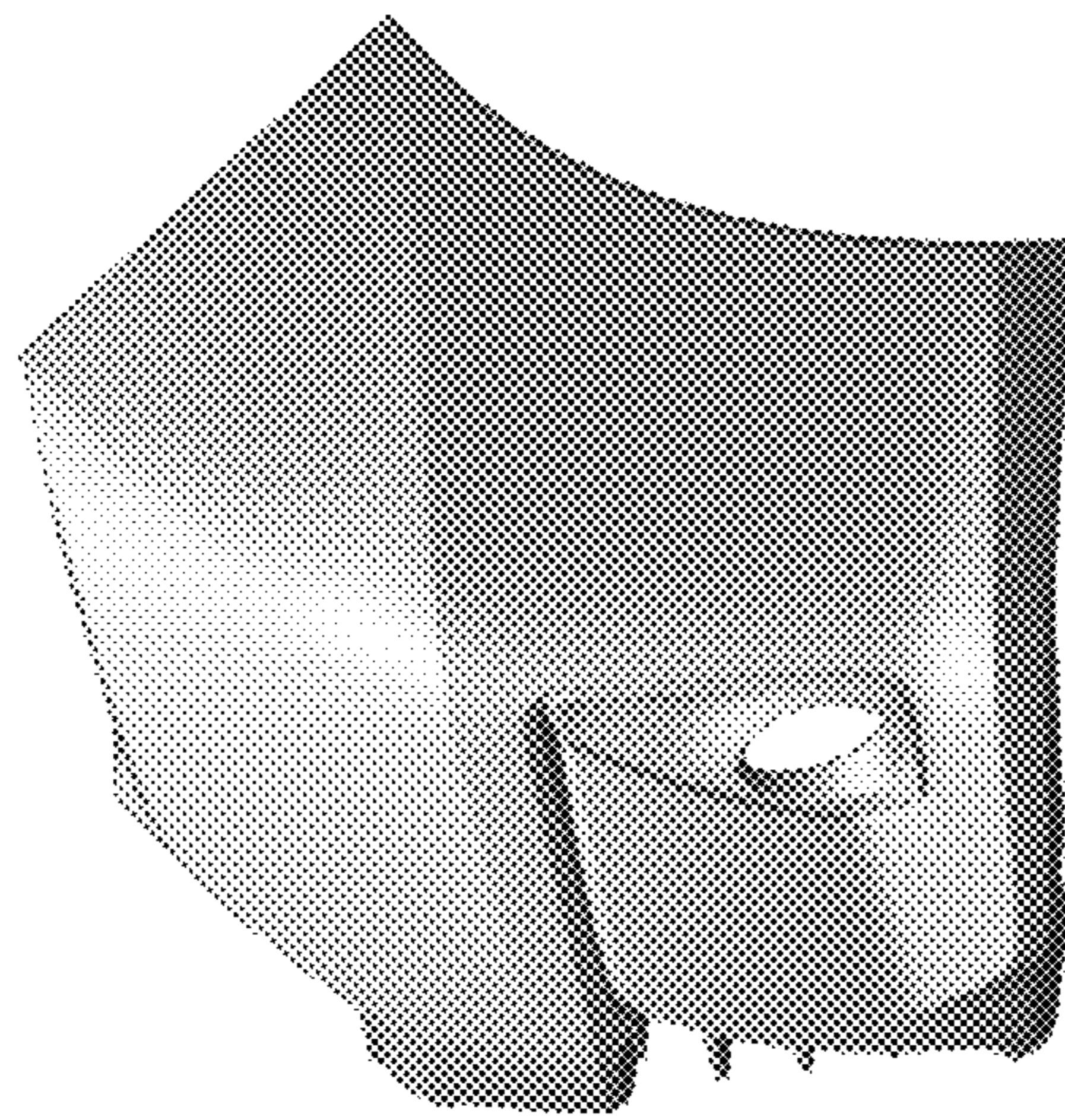


FIG. 4

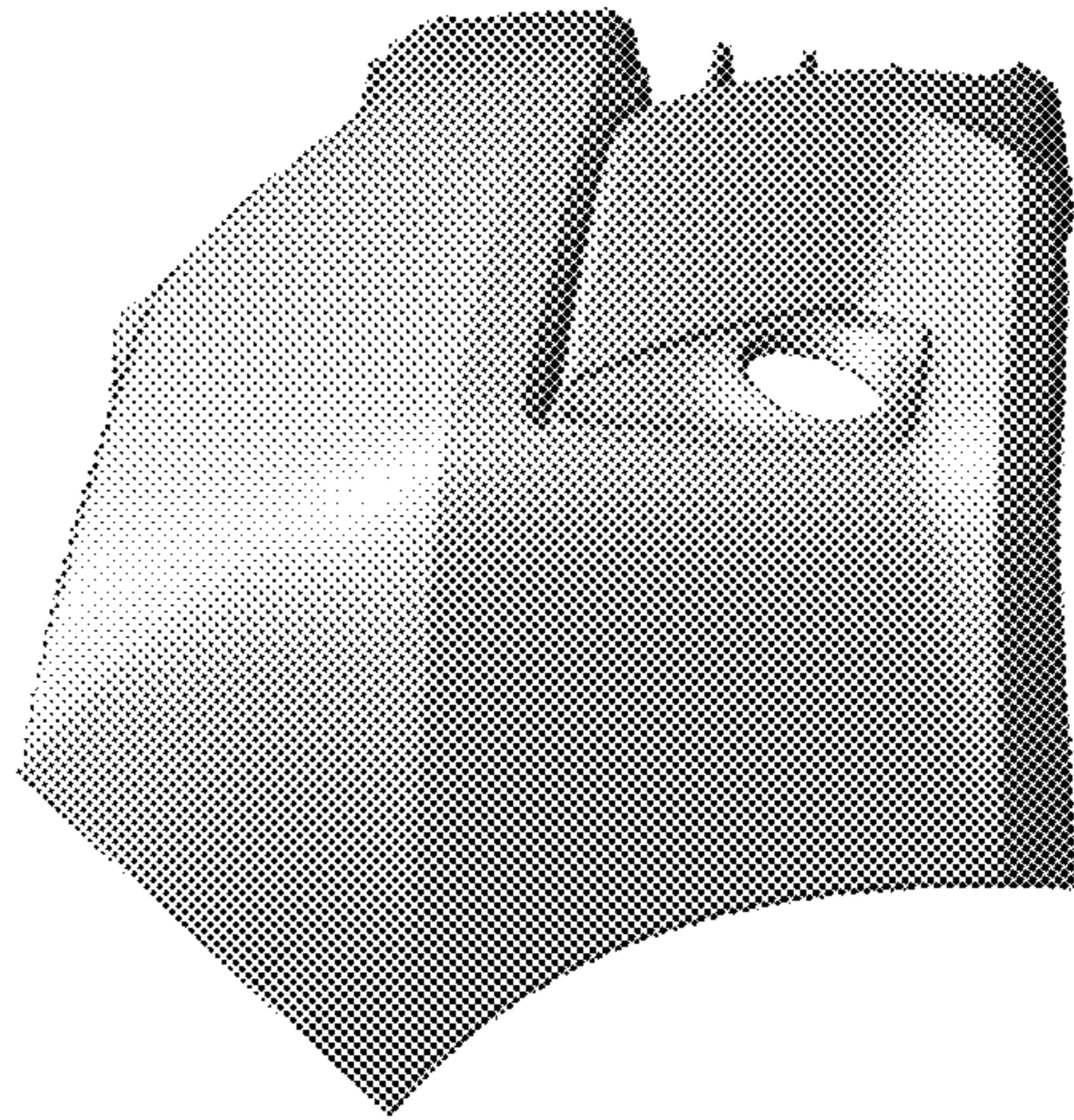


FIG. 5

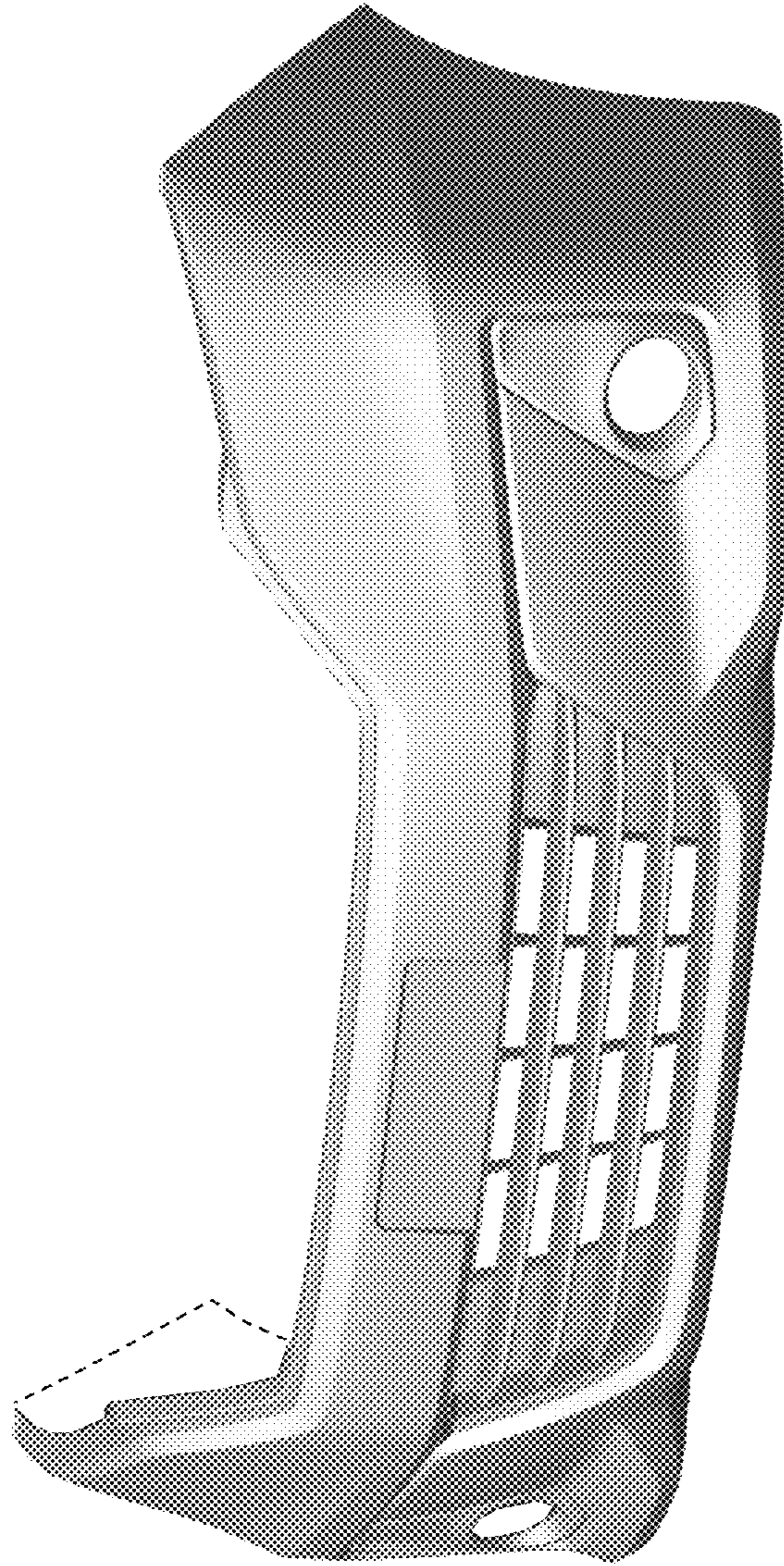


FIG. 6

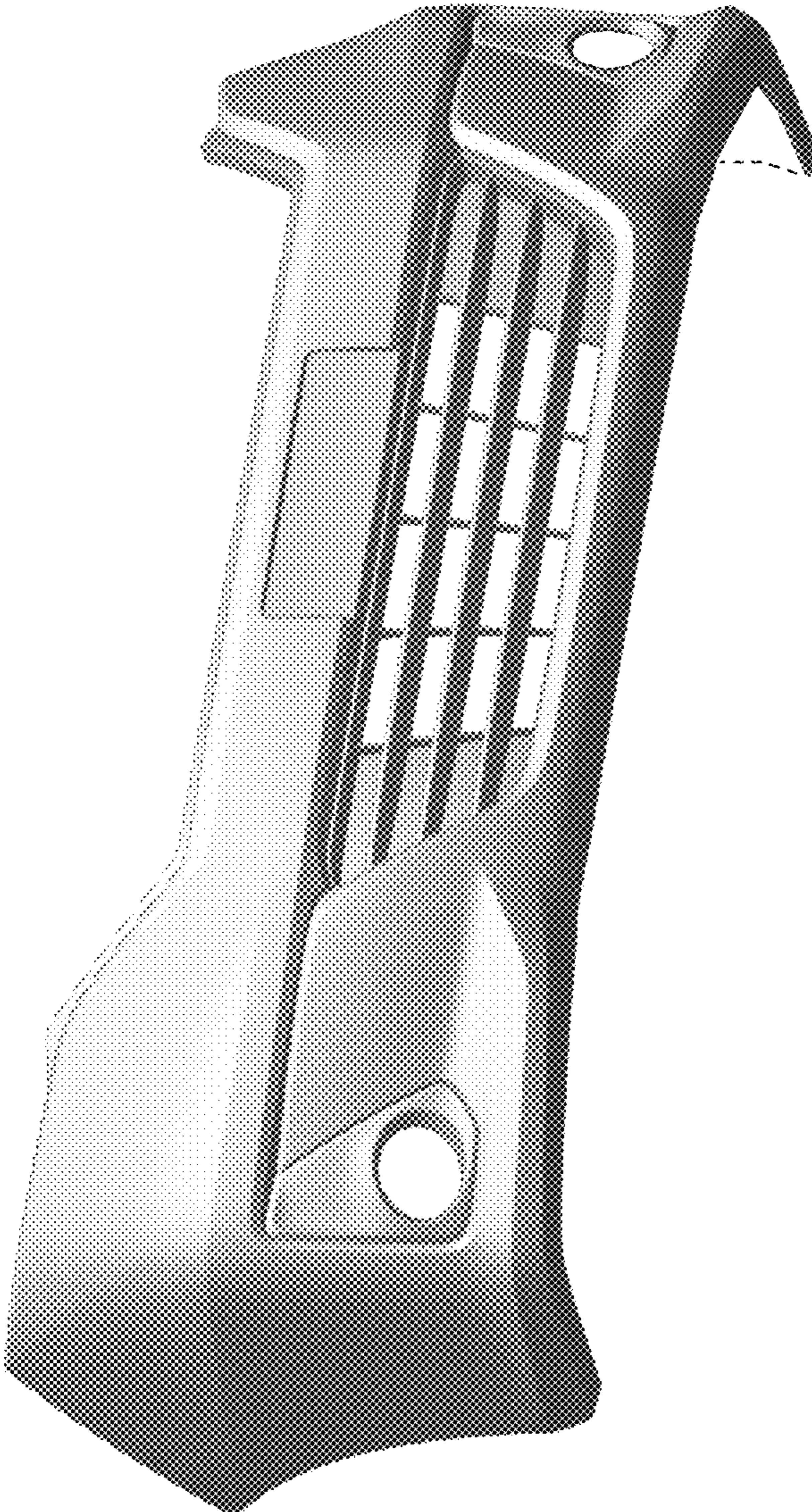


FIG. 7