



US00D818402S

(12) **United States Design Patent** (10) **Patent No.:** **US D818,402 S**
Kawakami et al. (45) **Date of Patent:** **** May 22, 2018**

(54) **BUMPER FOR MOTOR VEHICLE**

(71) Applicant: **Mazda Motor Corporation**, Hiroshima (JP)

(72) Inventors: **Kouhei Kawakami**, Hiroshima (JP); **Yasuo Suzuki**, Hiroshima (JP); **Yuta Takanashi**, Hiroshima (JP); **Yasuyuki Murata**, Hiroshima (JP)

(73) Assignee: **Mazda Motor Corporation**, Hiroshima (JP)

(**) Term: **15 Years**

(21) Appl. No.: **29/582,371**

(22) Filed: **Oct. 27, 2016**

(30) **Foreign Application Priority Data**

Apr. 27, 2016 (JP) D2016-009222

(51) **LOC (11) Cl.** **12-16**

(52) **U.S. Cl.**
USPC **D12/169**

(58) **Field of Classification Search**
USPC D12/169, 216, 90-92, 86, 171, 196, 163;
293/102, 113, 115, 117, 120; 296/180.1,
296/180.2
CPC B60R 19/02; B60R 19/04; B62D 25/08
See application file for complete search history.

(56) **References Cited**

U.S. PATENT DOCUMENTS

D668,188 S	10/2012	Shudo et al.	
D692,808 S *	11/2013	Morioka	D12/169
D761,705 S	7/2016	Song et al.	
D773,351 S *	12/2016	Munakata	D12/169
D773,352 S *	12/2016	Munakata	D12/169
D773,353 S *	12/2016	Munakata	D12/169
D789,259 S *	6/2017	Seo	D12/169
D805,449 S *	12/2017	Chung	D12/169

* cited by examiner

Primary Examiner — Melody N Brown

(74) *Attorney, Agent, or Firm* — Studebaker & Brackett PC

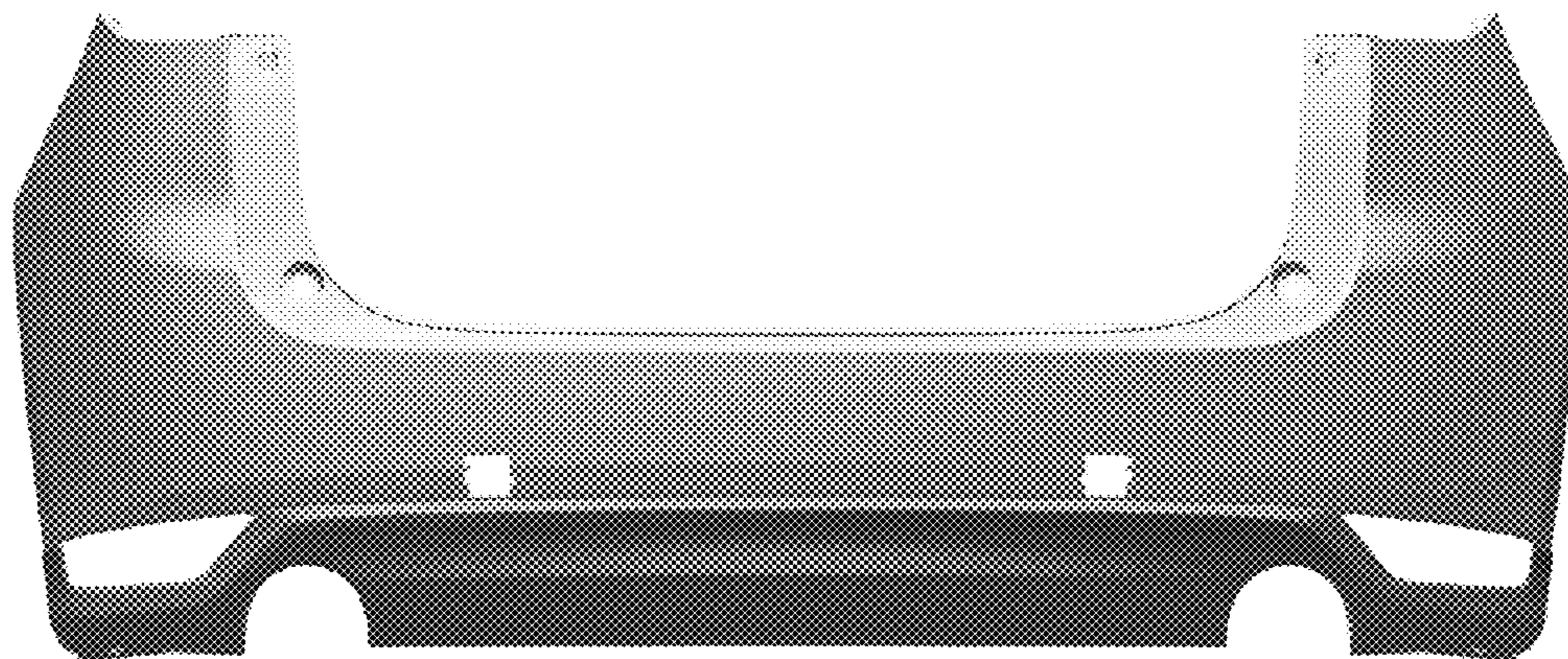
(57) **CLAIM**

The ornamental design for a bumper for motor vehicle, as shown and described.

DESCRIPTION

FIG. 1 is a top and front perspective view of a bumper for motor vehicle showing our new design;
 FIG. 2 is a bottom and front perspective view thereof;
 FIG. 3 is a rear perspective view thereof;
 FIG. 4 is a front view thereof;
 FIG. 5 is a rear view thereof;
 FIG. 6 is a left side view thereof;
 FIG. 7 is a right side view thereof;
 FIG. 8 is a top view thereof; and,
 FIG. 9 is a bottom view thereof.

1 Claim, 5 Drawing Sheets



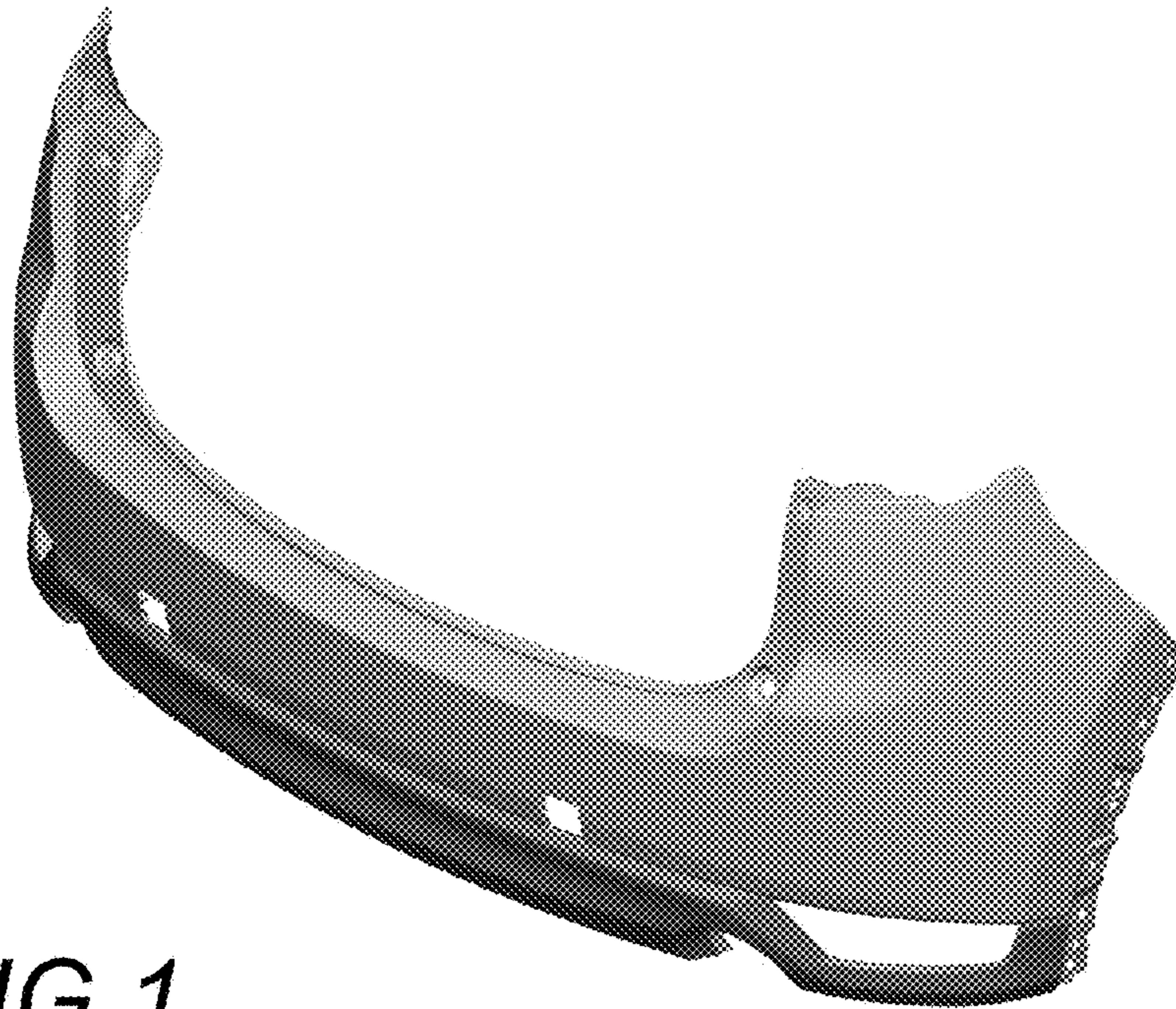


FIG. 1

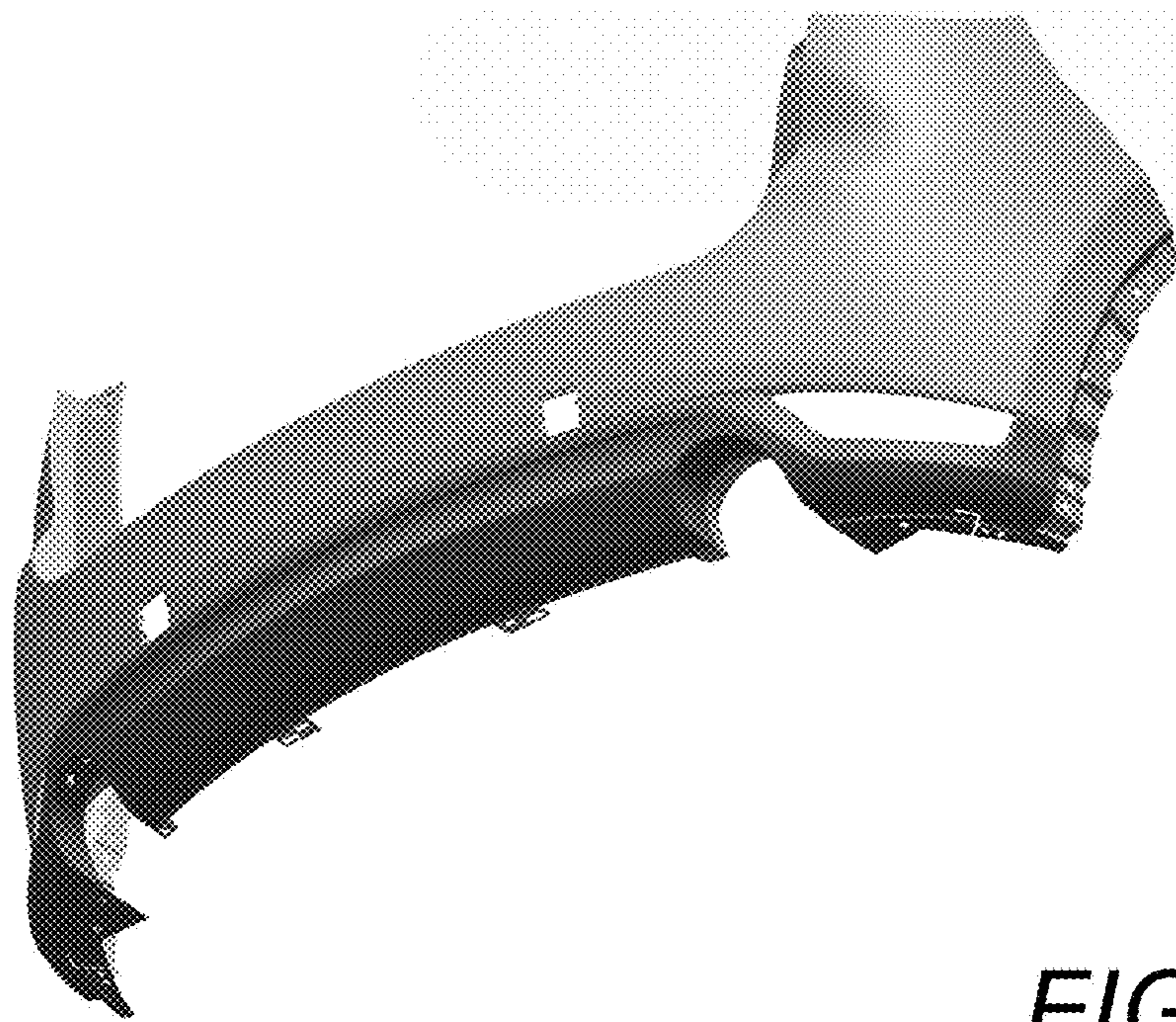


FIG. 2

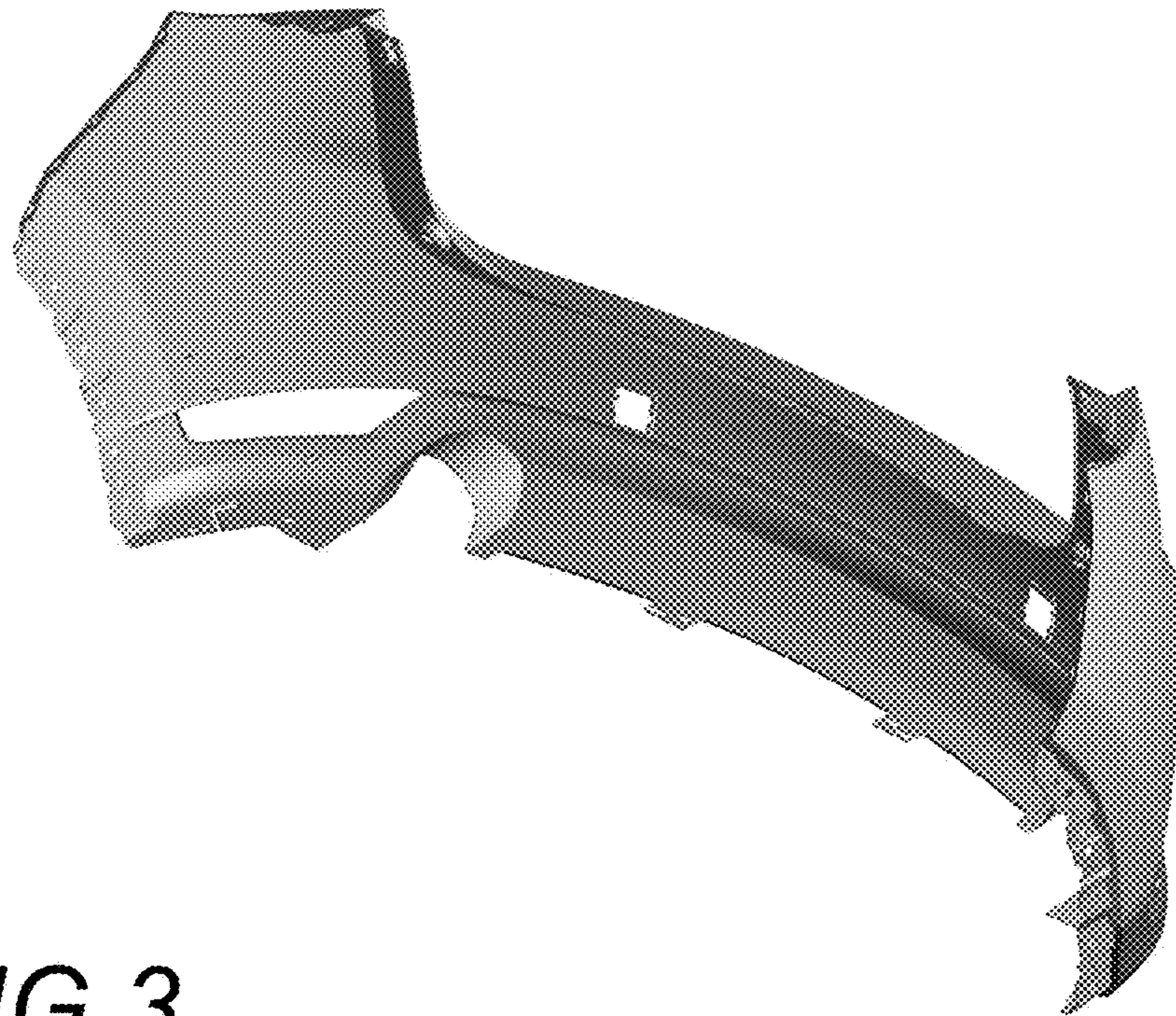


FIG.3

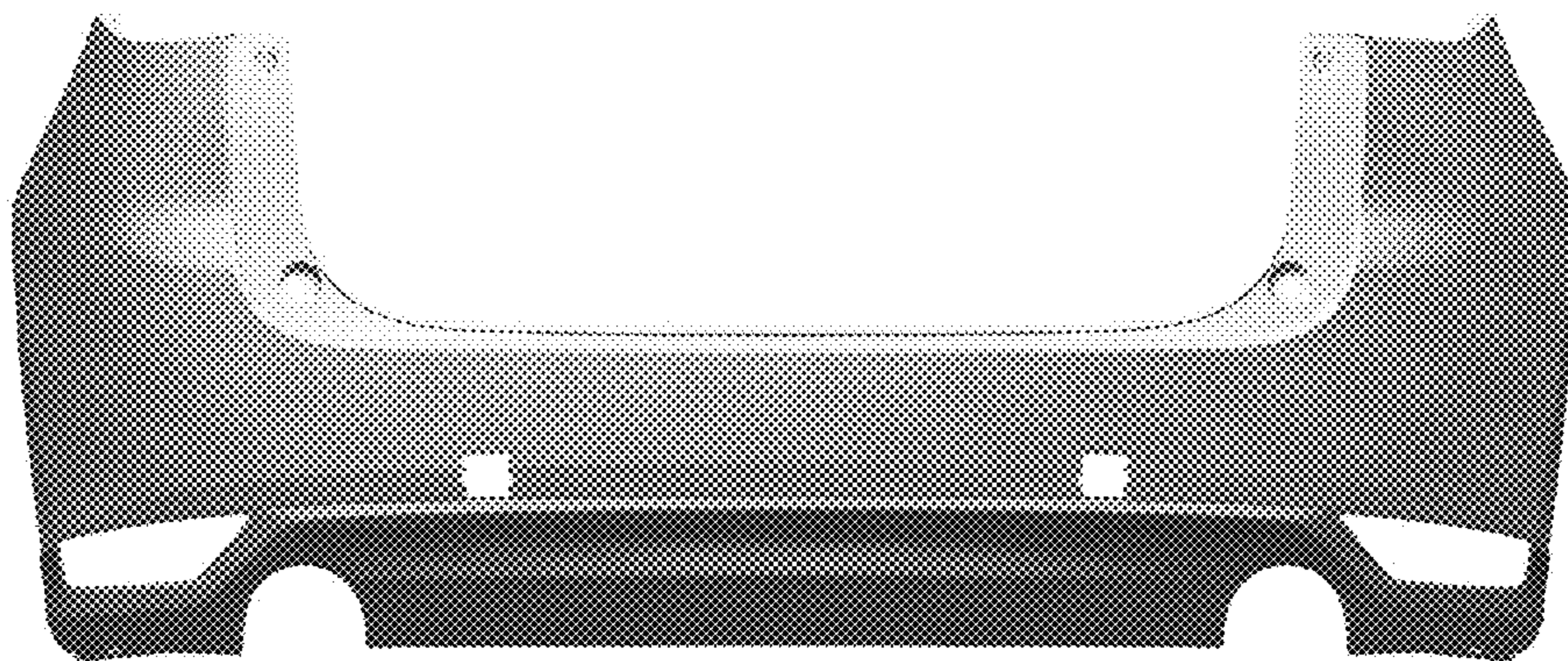


FIG. 4

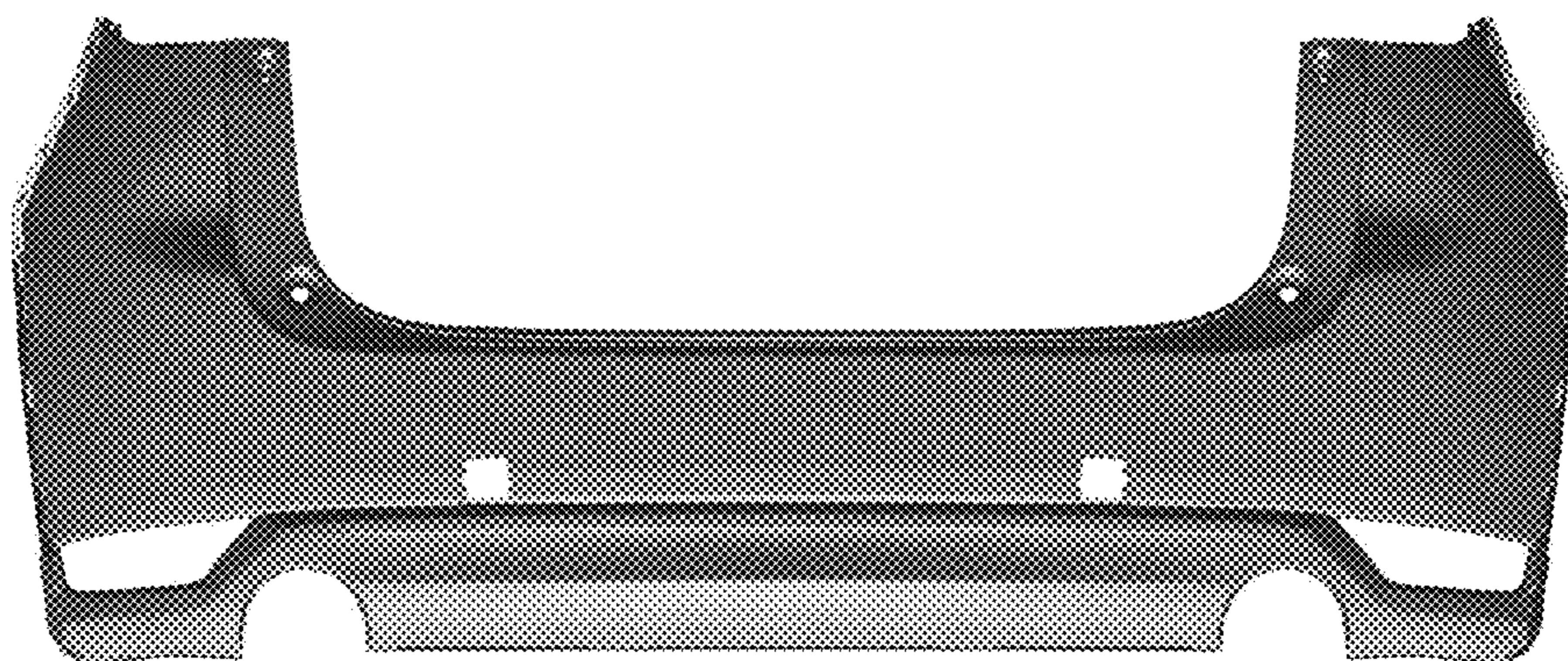


FIG. 5

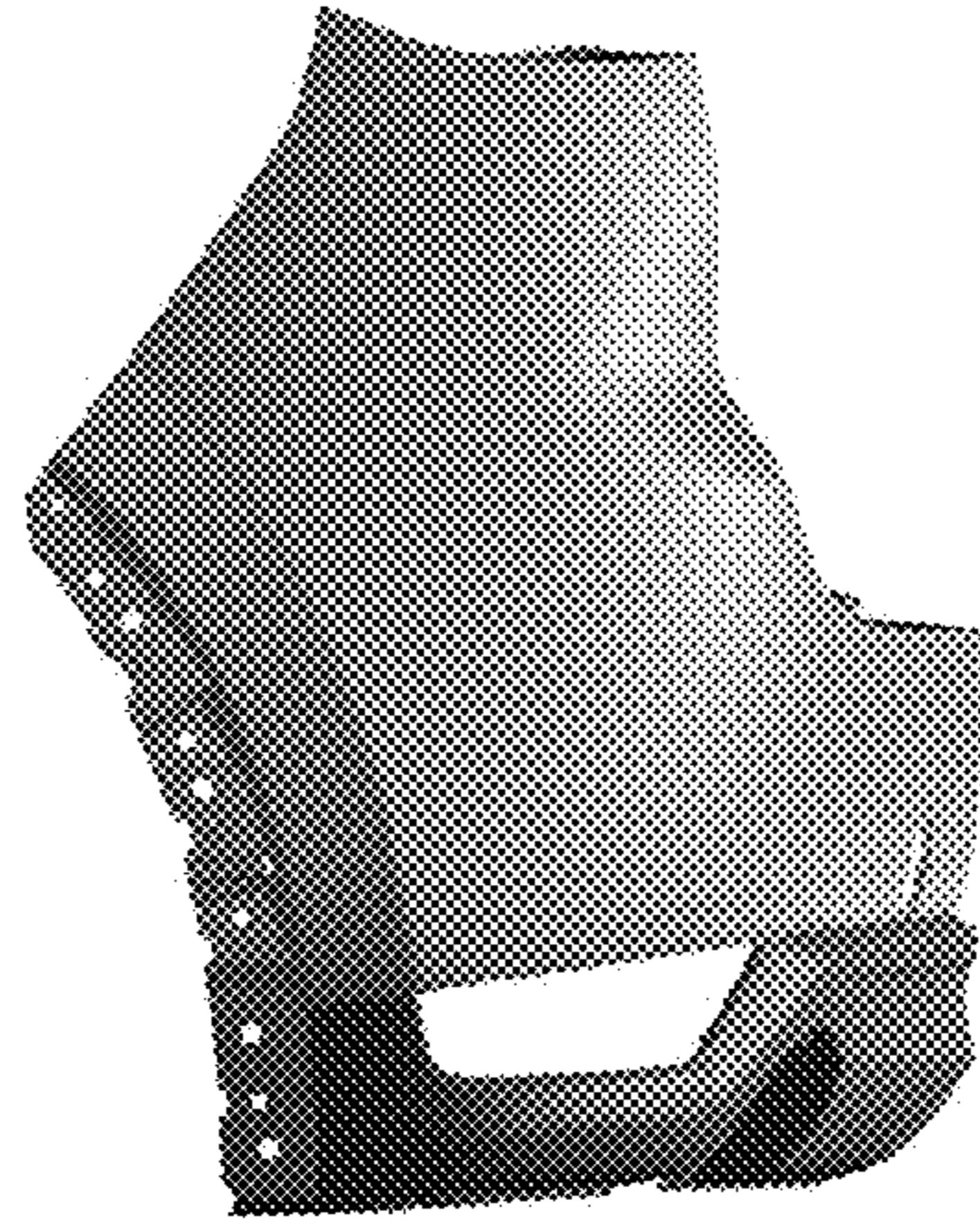


FIG. 6

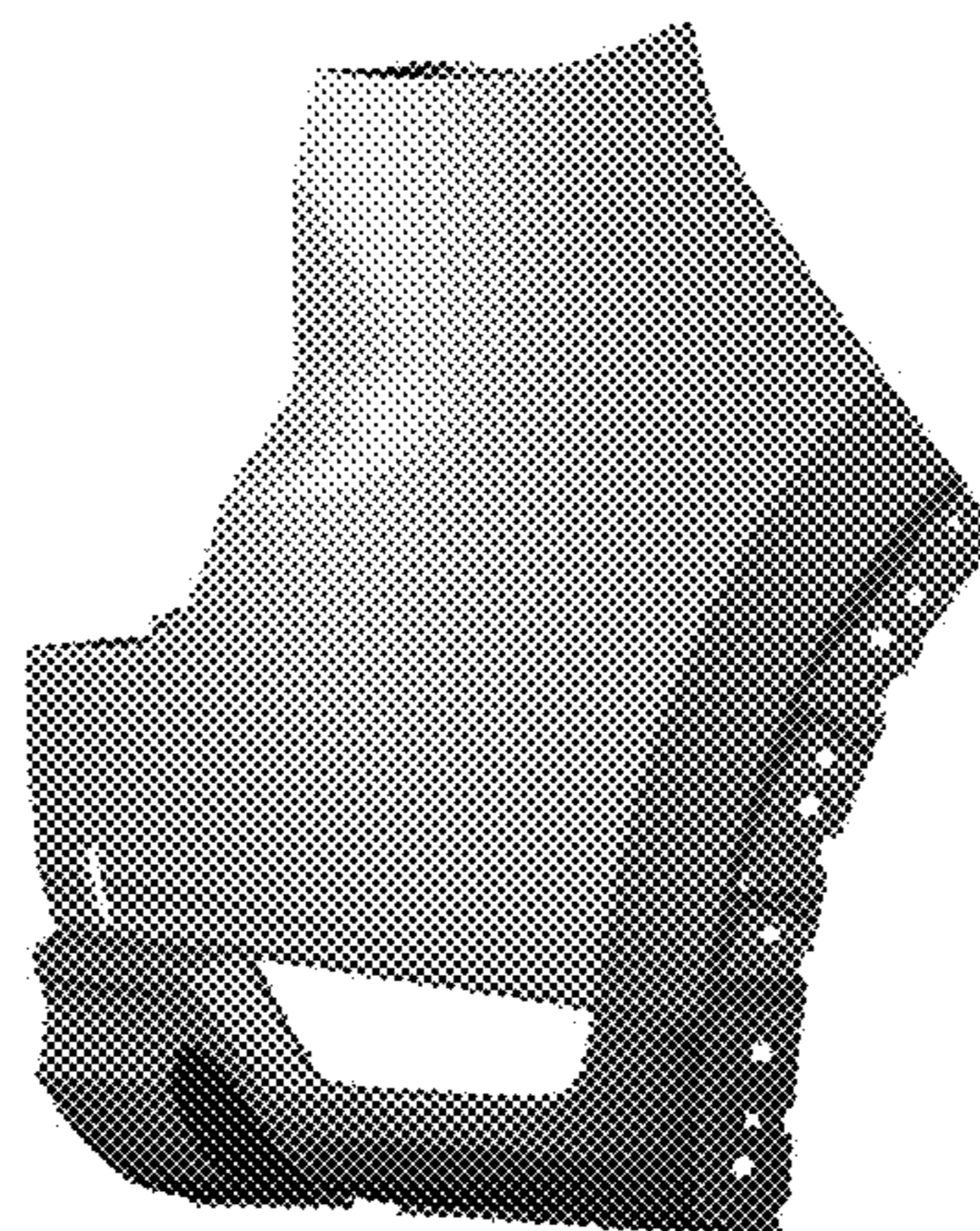


FIG. 7

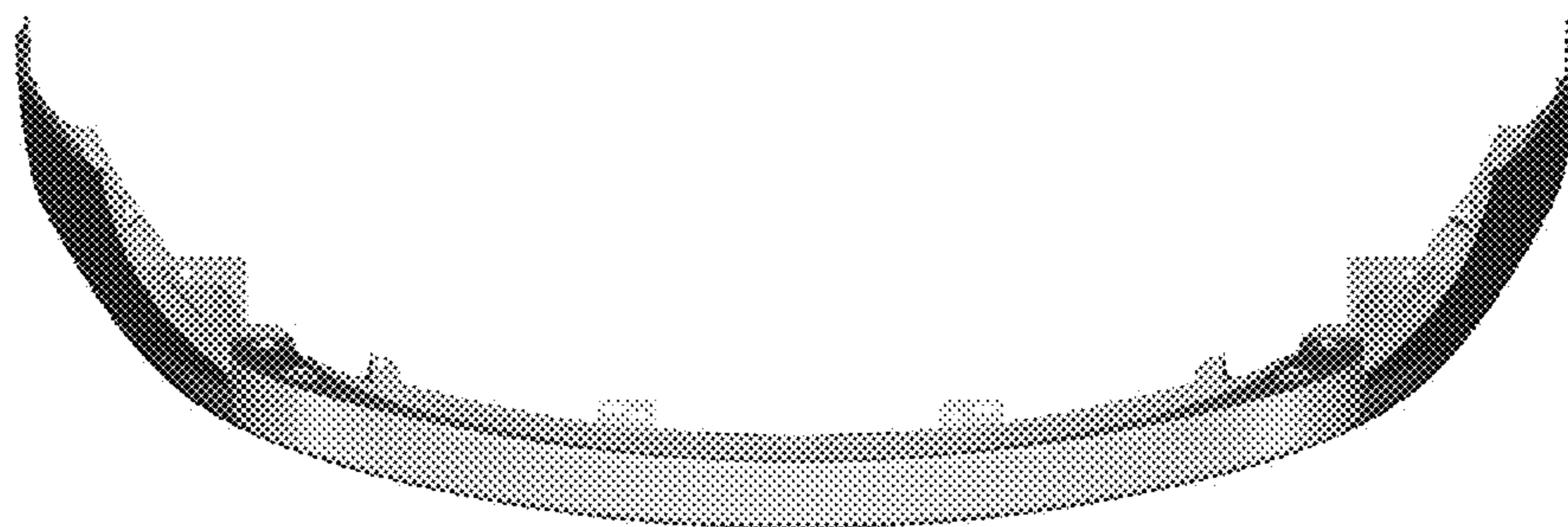


FIG. 8

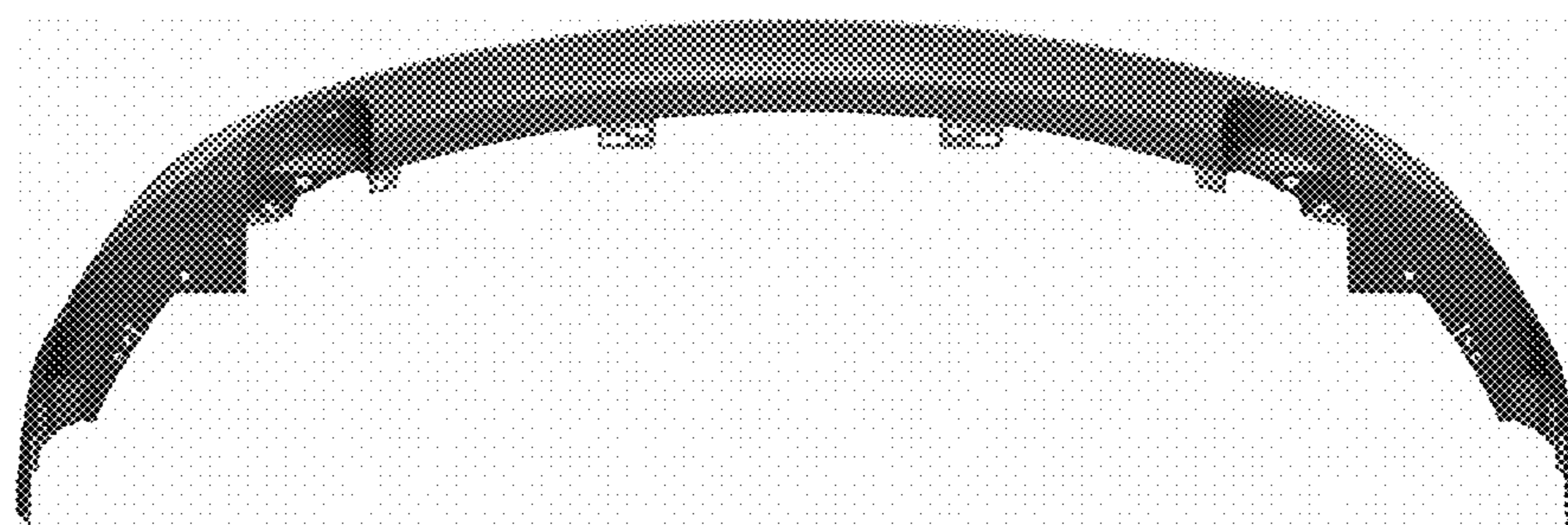


FIG. 9