



US00D818400S

(12) **United States Design Patent**  
**Barenbrug**

(10) **Patent No.:** **US D818,400 S**  
(45) **Date of Patent:** **\*\* May 22, 2018**

(54) **BASSINET FOR STROLLER**

**DESCRIPTION**

- (71) Applicant: **Royalty Bugaboo GmbH**, Zug (CH)
- (72) Inventor: **Max Barenbrug**, Amsterdam (NL)
- (73) Assignee: **Royalty Bugaboo GmbH**, Zug (CH)
- (\*\*) Term: **15 Years**
- (21) Appl. No.: **29/540,270**
- (22) Filed: **Sep. 22, 2015**
- (51) **LOC (11) Cl.** ..... **12-12**
- (52) **U.S. Cl.**  
USPC ..... **D12/133**
- (58) **Field of Classification Search**  
USPC ..... D12/128-133  
CPC ..... B62B 7/00-7/04; B62B 9/00-9/28  
See application file for complete search history.

FIG. 1 is a right side view showing my new design, shown with adapter and extended top;  
 FIG. 2 is a right side view thereof, shown without adapter;  
 FIG. 3 is a right side view thereof, shown with the top partially folded;  
 FIG. 4 is a right side view thereof, shown with the top fully folded;  
 FIG. 5 is a perspective view of the design shown in FIG. 2;  
 FIG. 6 is a left side view thereof;  
 FIG. 7 is a right side view of the design shown in FIG. 2, shown with top;  
 FIG. 8 is a right side view thereof, shown with top removed;  
 FIG. 9 is another right side view thereof;  
 FIG. 10 is a front view thereof;  
 FIG. 11 is a left side view of the design shown in FIG. 5, shown with top removed;  
 FIG. 12 is a perspective view of the portion of a stroller shown in FIG. 5, shown with apron removed and top in a fully folded position;  
 FIG. 13 is a left side view of the design shown in FIG. 2, shown with top removed;  
 FIG. 14 is a perspective view of the design shown in FIG. 14, shown with top in a fully up position;  
 FIG. 15 is a perspective view of the design shown in FIG. 2, shown with top fully removed;  
 FIG. 16 is a top view thereof;  
 FIG. 17 is a back view thereof;  
 FIG. 18 is a right side view thereof;  
 FIG. 19 is a perspective view of the base section of the design shown in FIG. 2;  
 FIG. 20 is a bottom view thereof;  
 FIG. 21 is a close-up view of the adapter shown in FIG. 1;  
 FIG. 22 is a close-up view of the opposing side of the adaptor shown in FIG. 21; and,  
 FIG. 23 is a bottom perspective view of the design shown in FIG. 2, shown with top in a fully up position.

(56) **References Cited**

**U.S. PATENT DOCUMENTS**

- D308,656 S \* 6/1990 Takahashi ..... D12/129
- D342,614 S \* 12/1993 Collins ..... D6/333
- D423,416 S \* 4/2000 Shepherd ..... D12/129
- D482,641 S \* 11/2003 Hansen ..... D12/129
- D495,978 S \* 9/2004 Carpenter ..... D12/129

(Continued)

**FOREIGN PATENT DOCUMENTS**

CN 302923677 S 8/2014

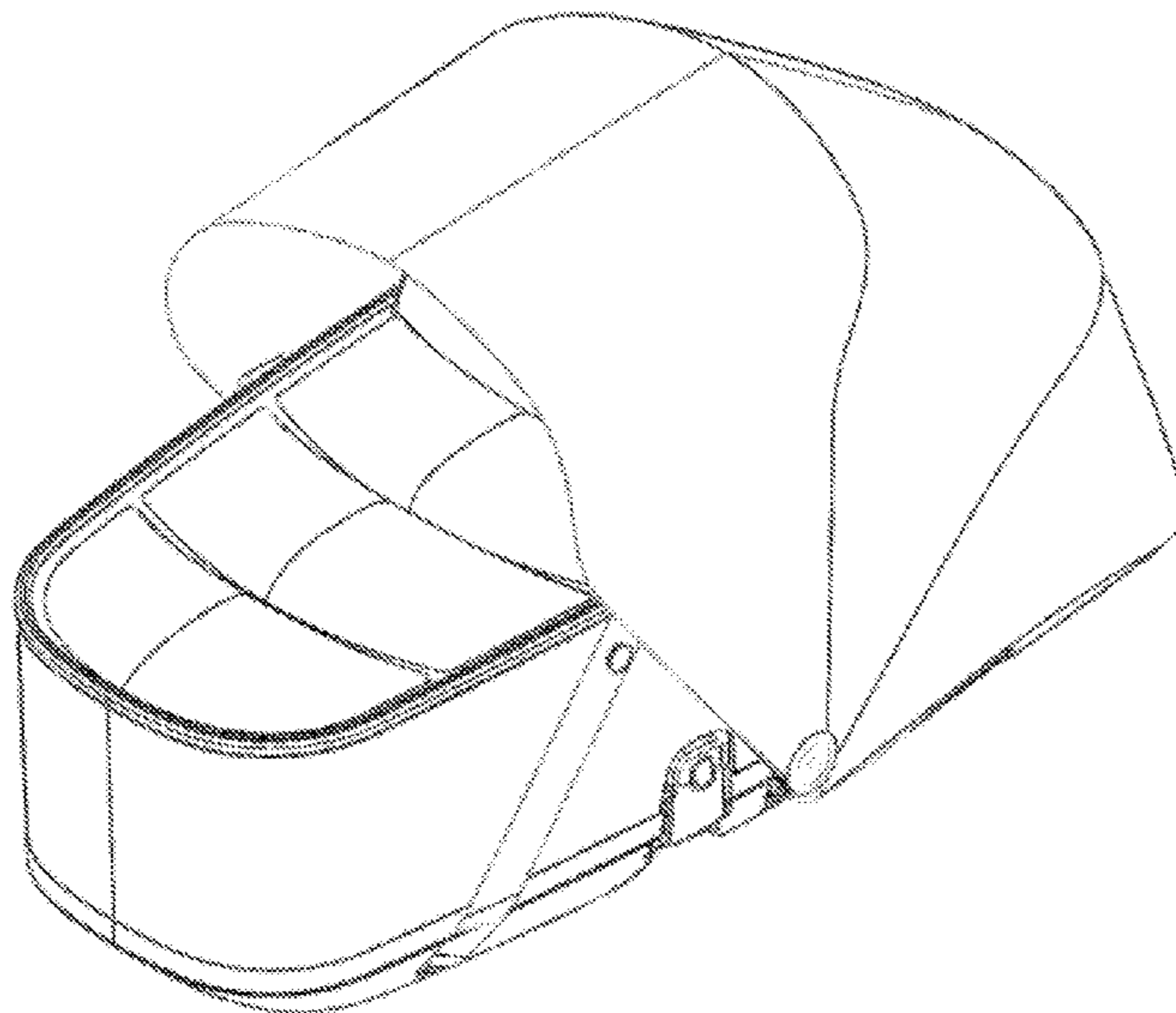
*Primary Examiner* — Charles Hanson

(74) *Attorney, Agent, or Firm* — Fross Zelnick Lehrman & Zissu, P.C.; Charles T. J. Weigell, Esq.

(57) **CLAIM**

The ornamental design for a bassinet for stroller, as shown and described.

**1 Claim, 11 Drawing Sheets**



(56)

**References Cited**

U.S. PATENT DOCUMENTS

D508,220 S *	8/2005	Spriggs .....	D12/129
D526,601 S *	8/2006	Oxseth .....	D12/129
D527,316 S *	8/2006	Oxseth .....	D12/129
D602,819 S *	10/2009	van Buul .....	D12/129
D631,402 S *	1/2011	Bagwell .....	D12/129
D654,409 S *	2/2012	Angelfoss .....	D12/133
D661,624 S *	6/2012	Stopp .....	D12/129
D699,635 S *	2/2014	Slotteroy .....	D12/133

\* cited by examiner

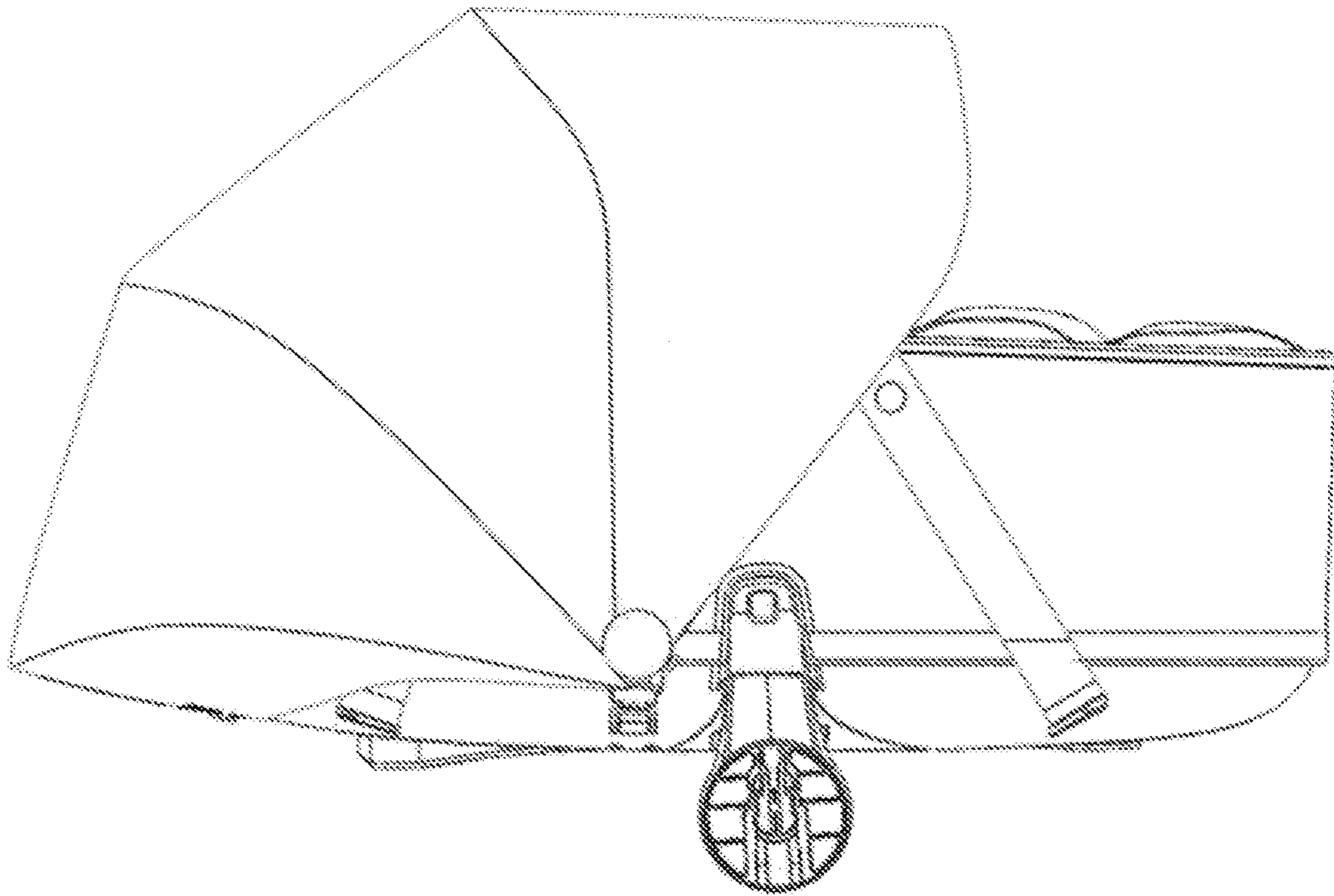


FIG. 1

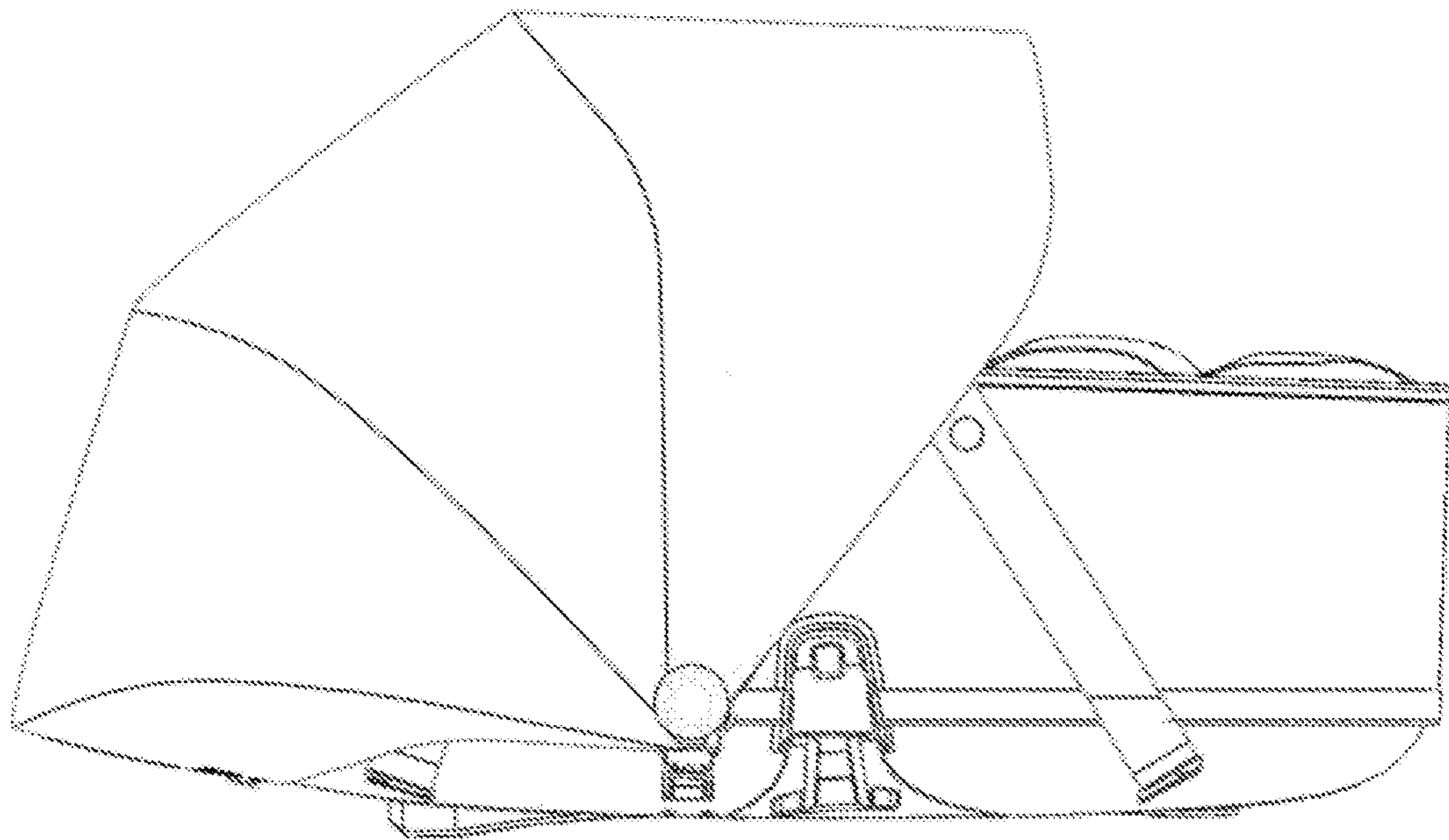


FIG. 2



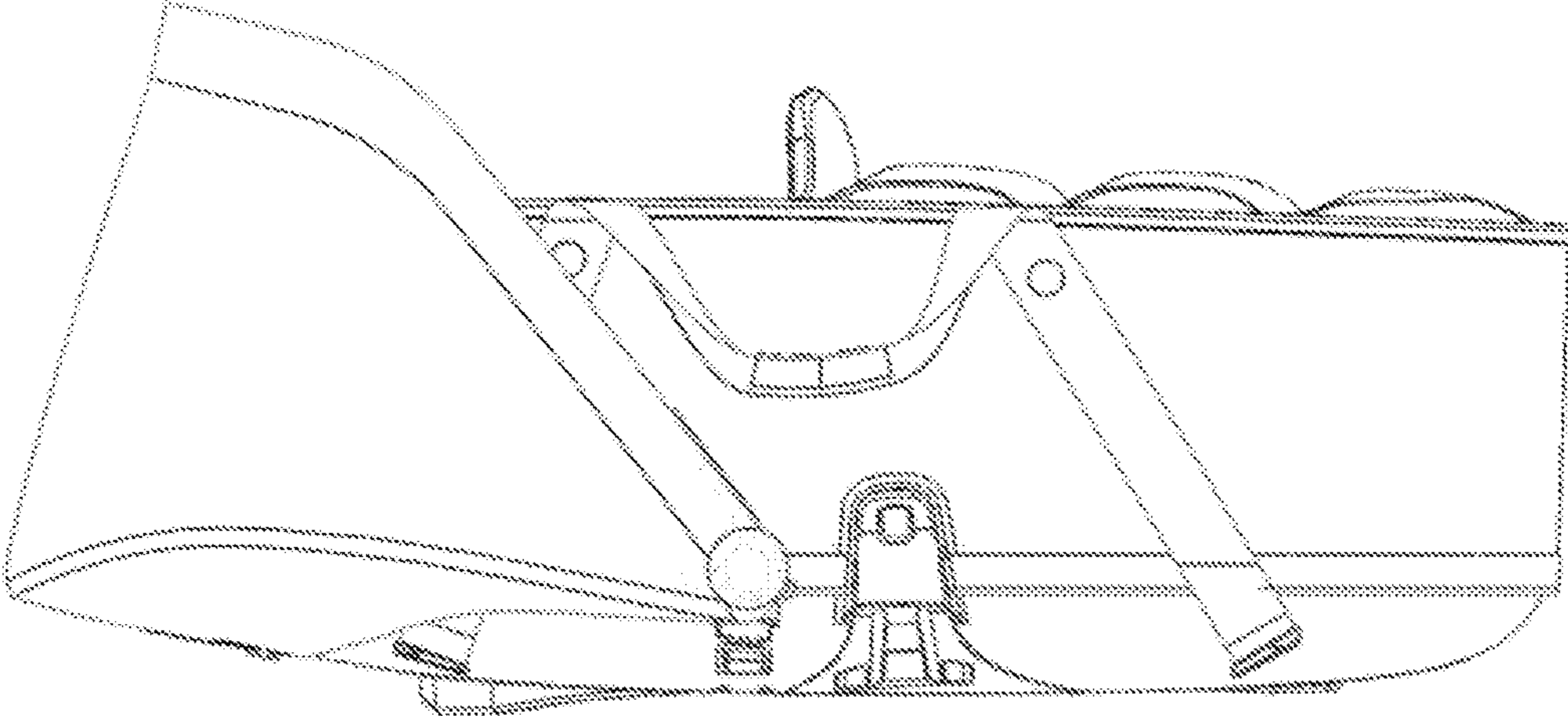


FIG. 3

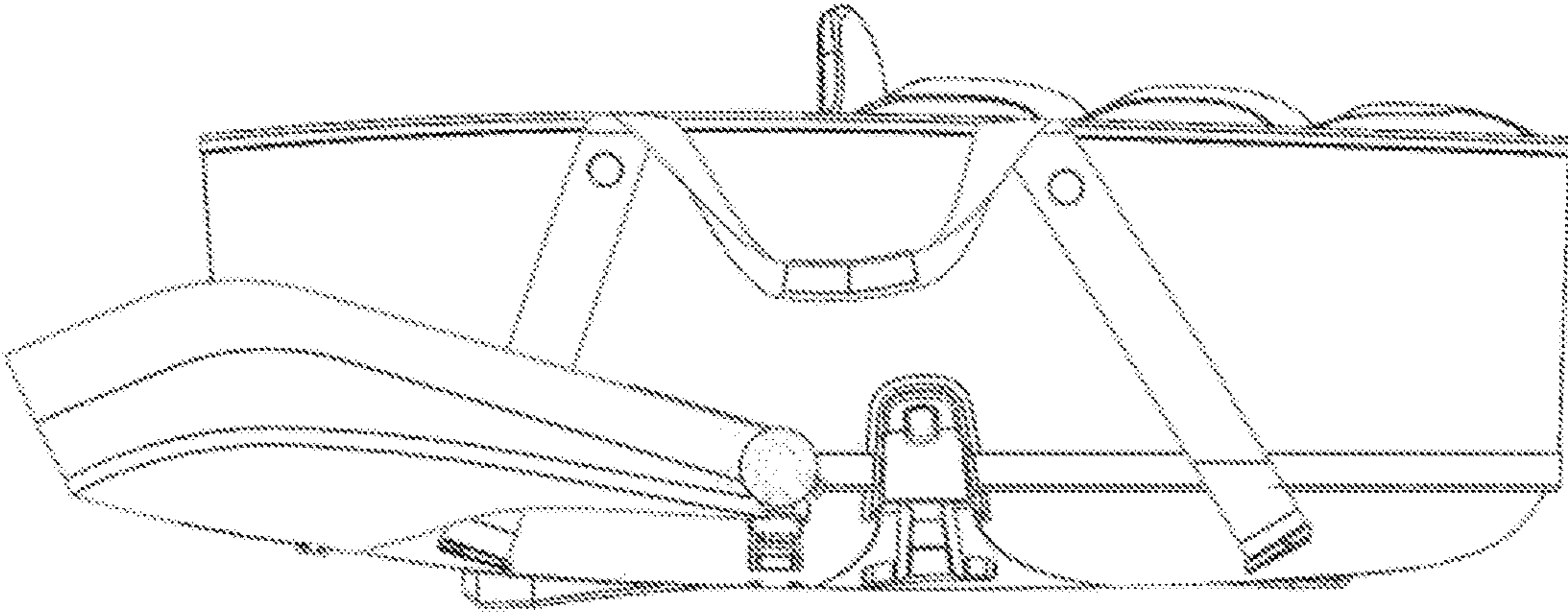
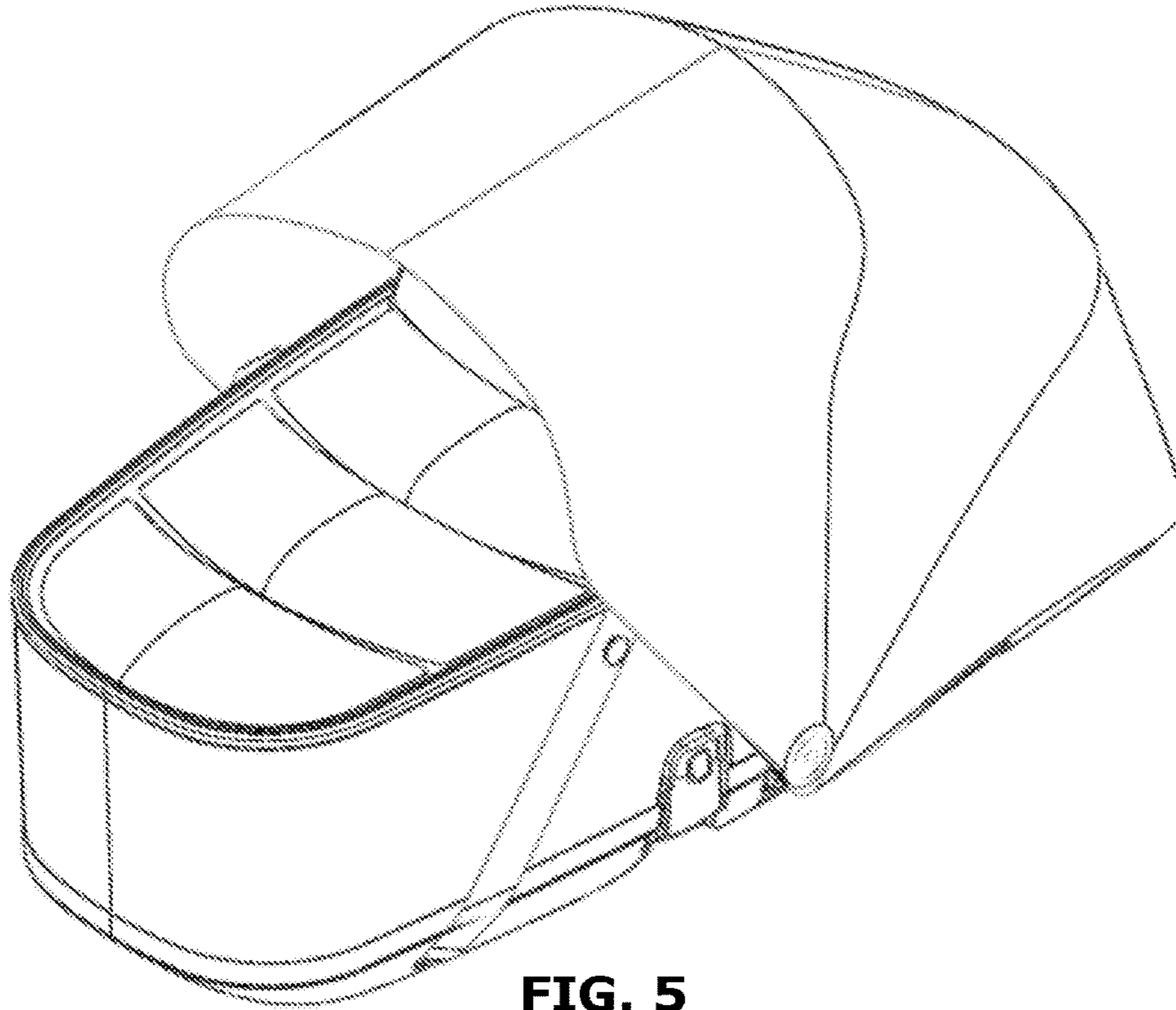
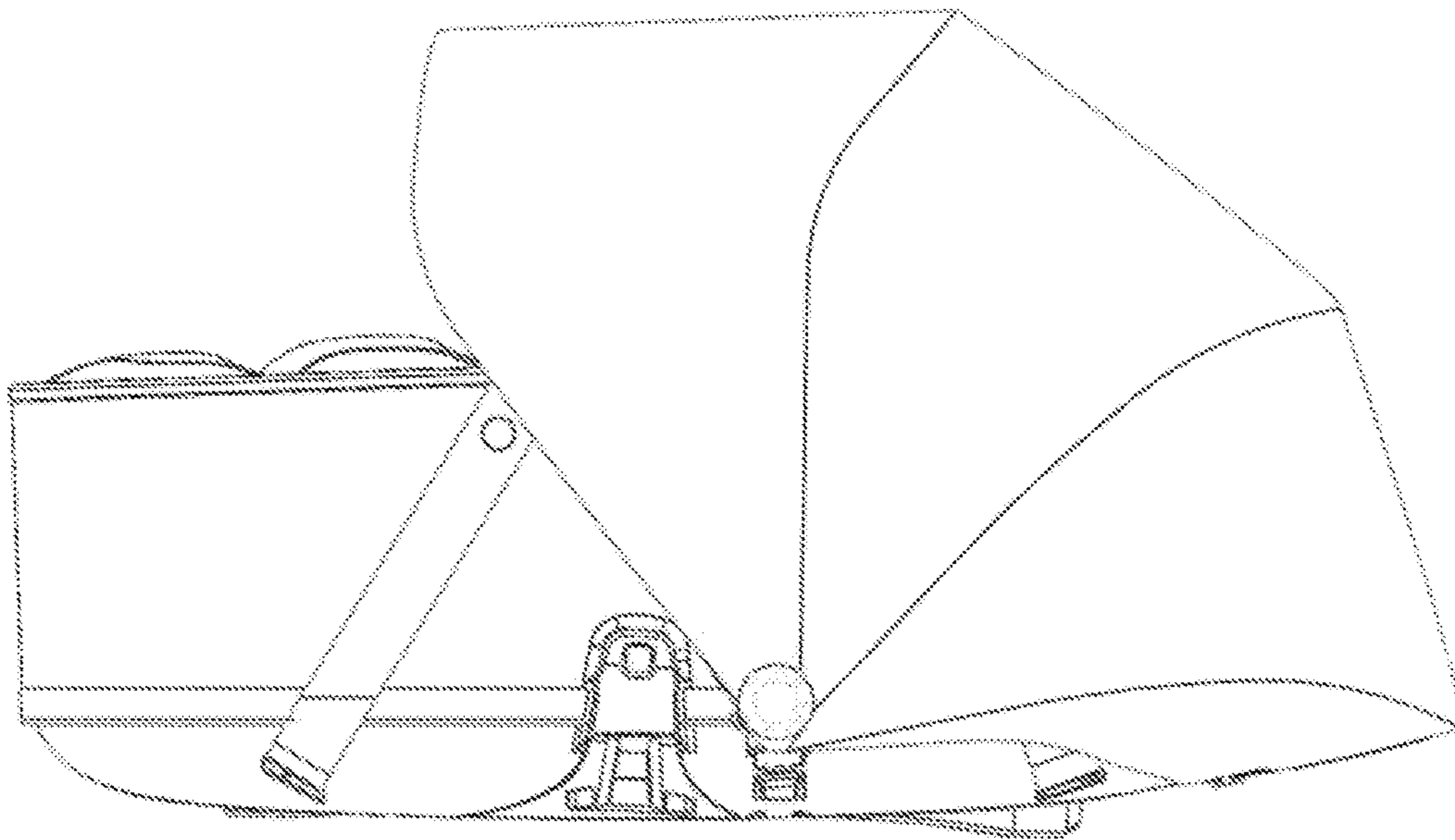


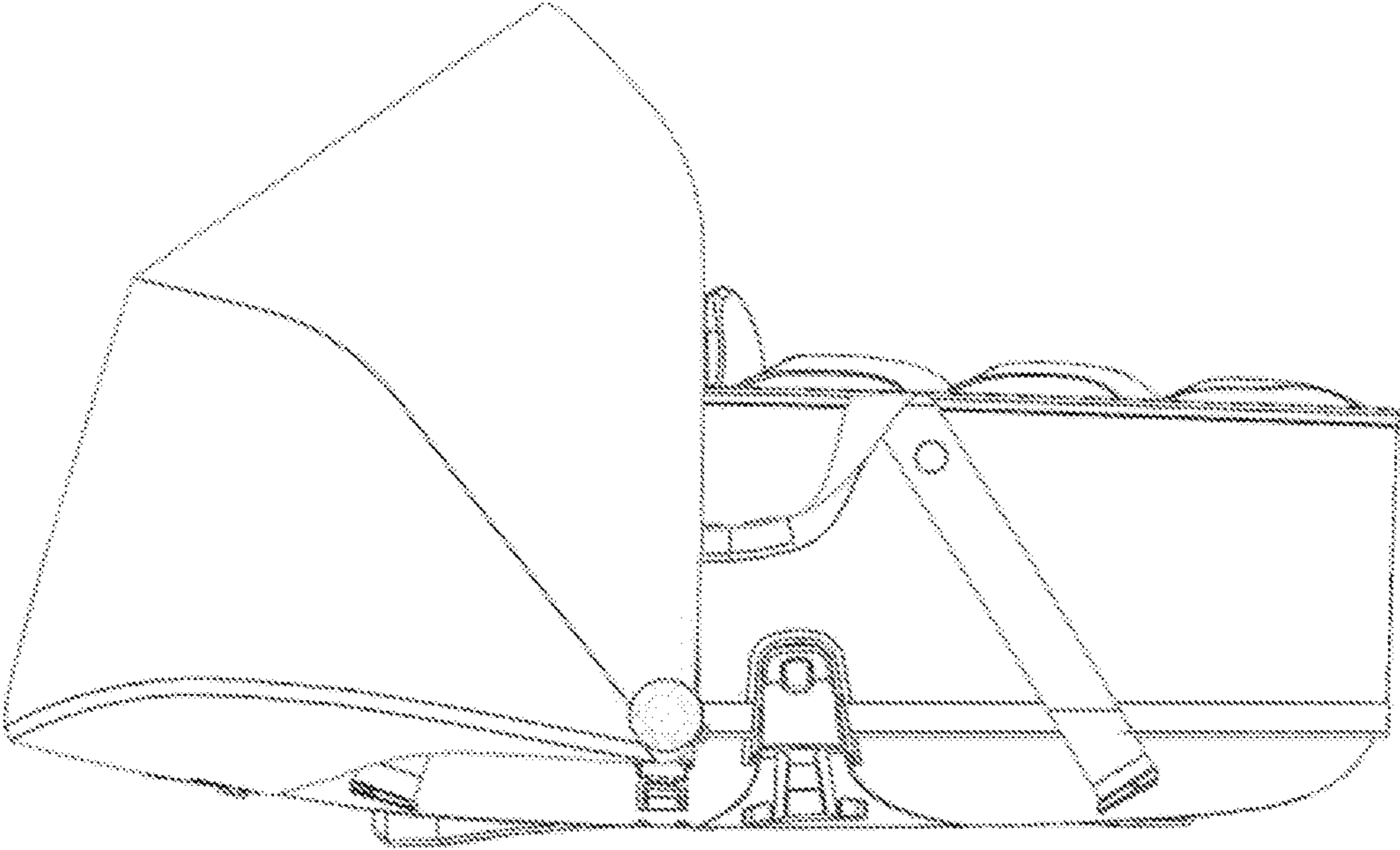
FIG. 4



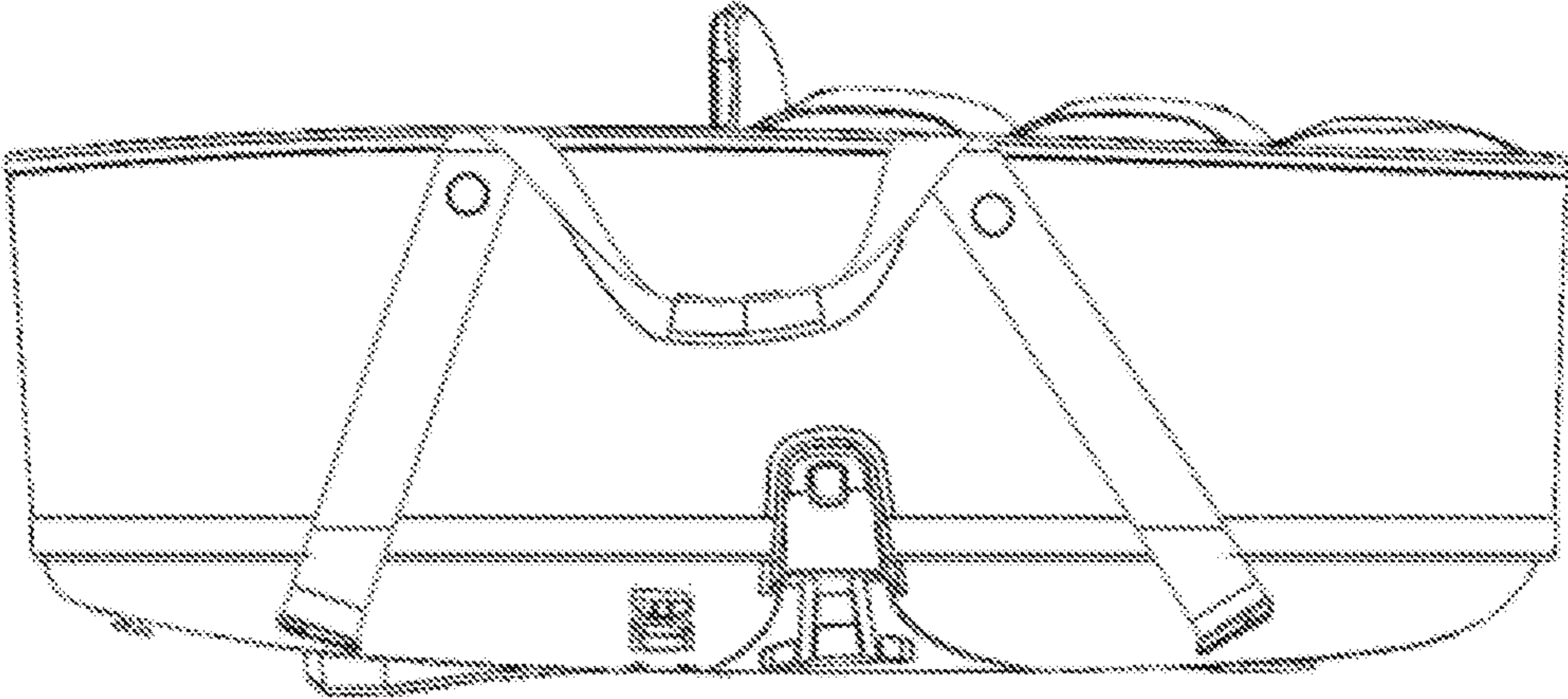
**FIG. 5**



**FIG. 6**

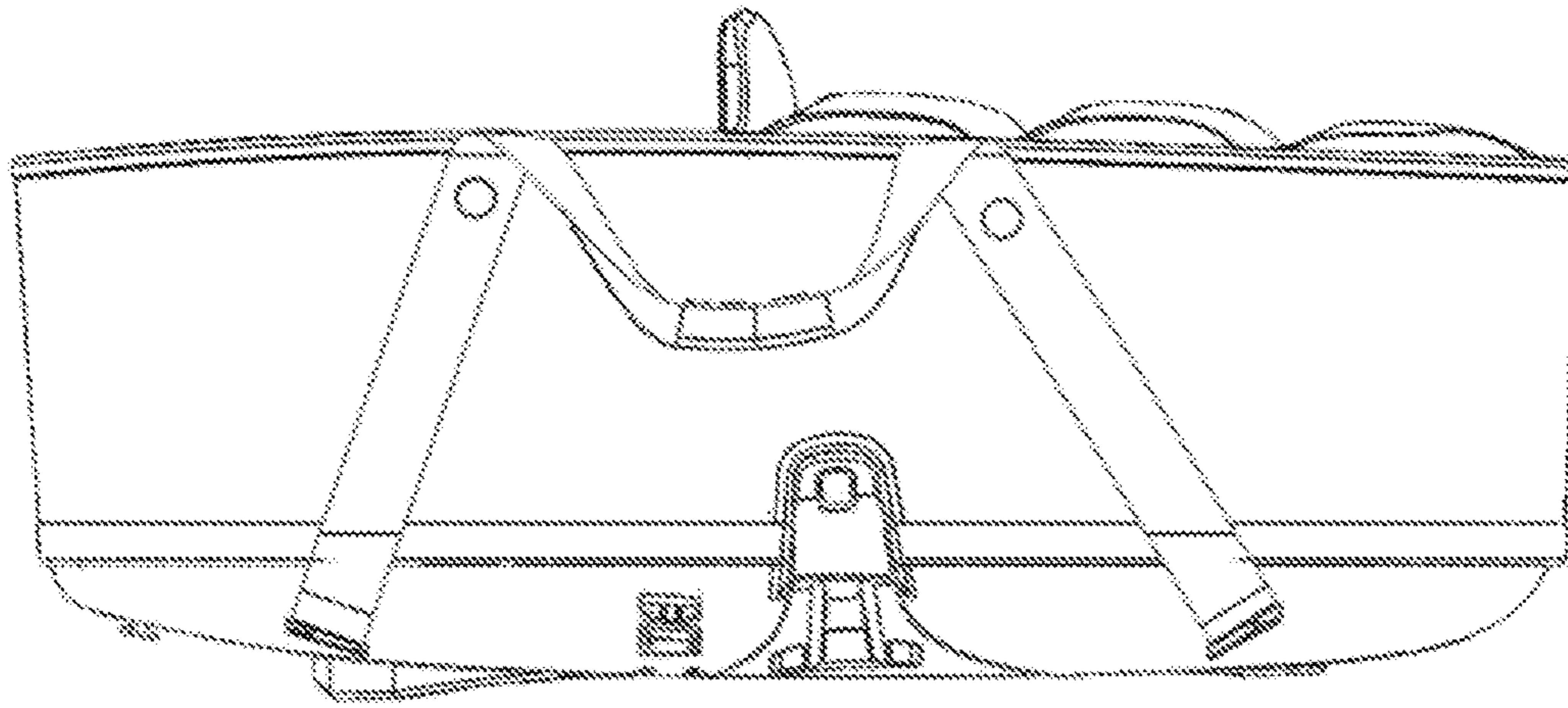


**FIG. 7**

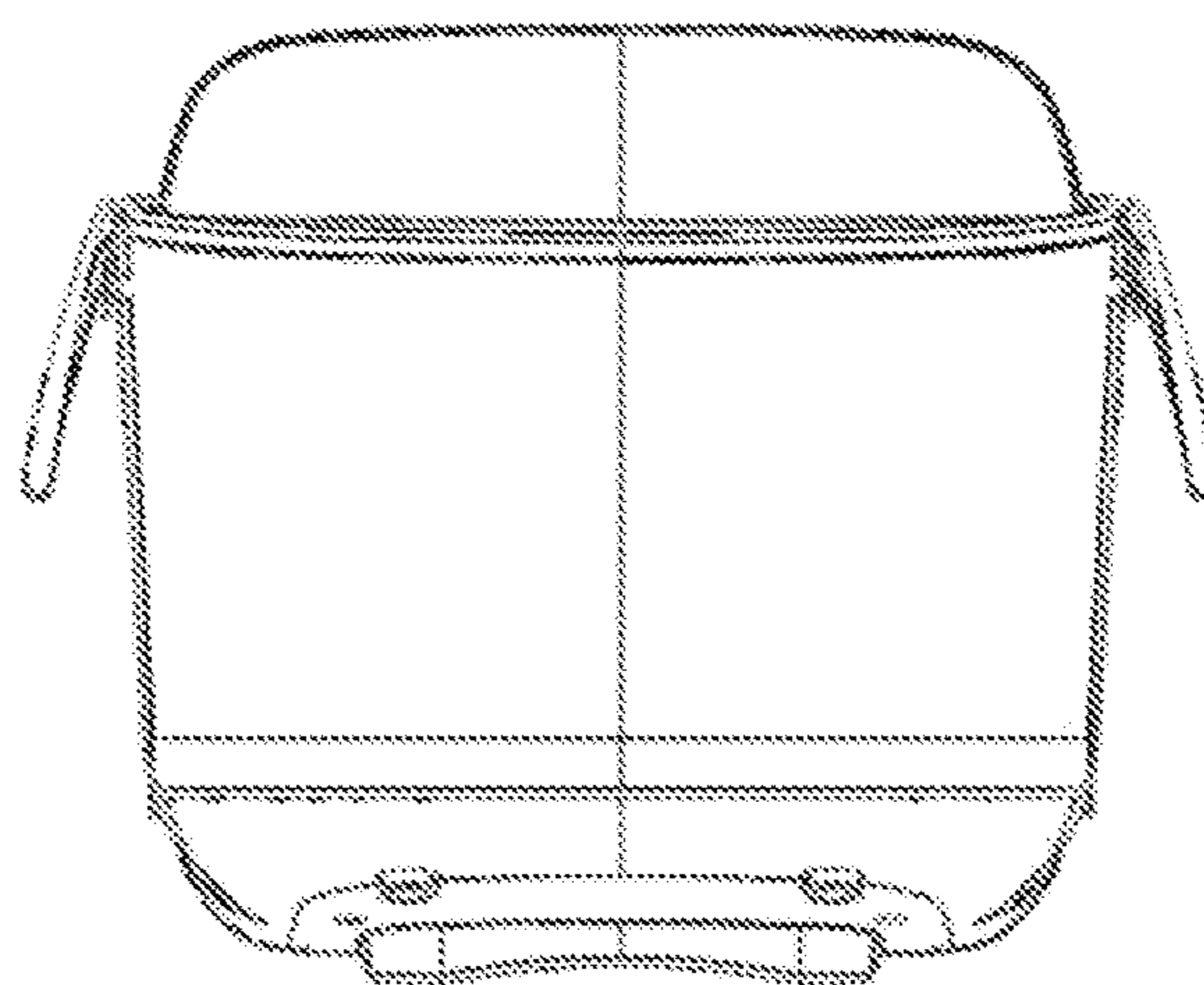


**FIG. 8**

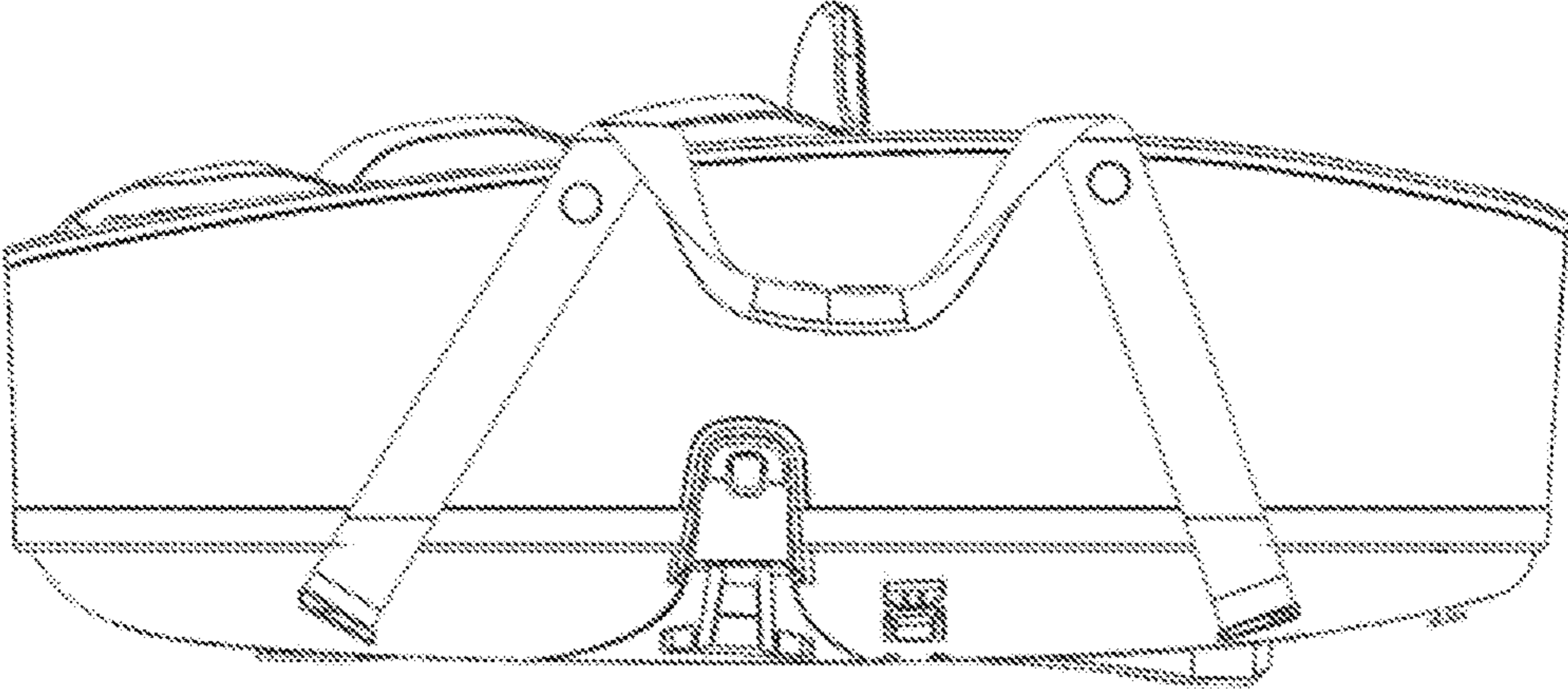




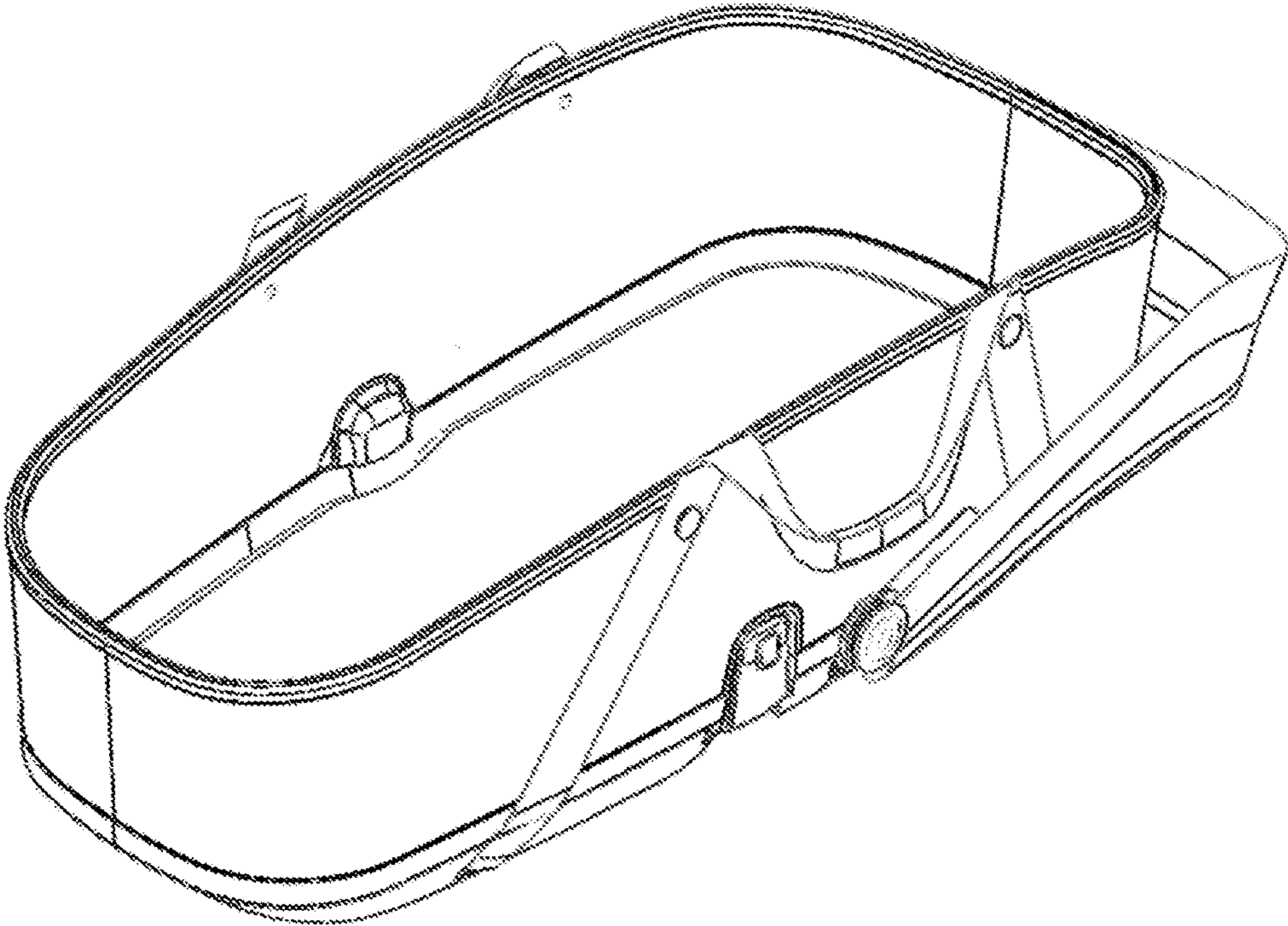
**FIG. 9**



**FIG. 10**

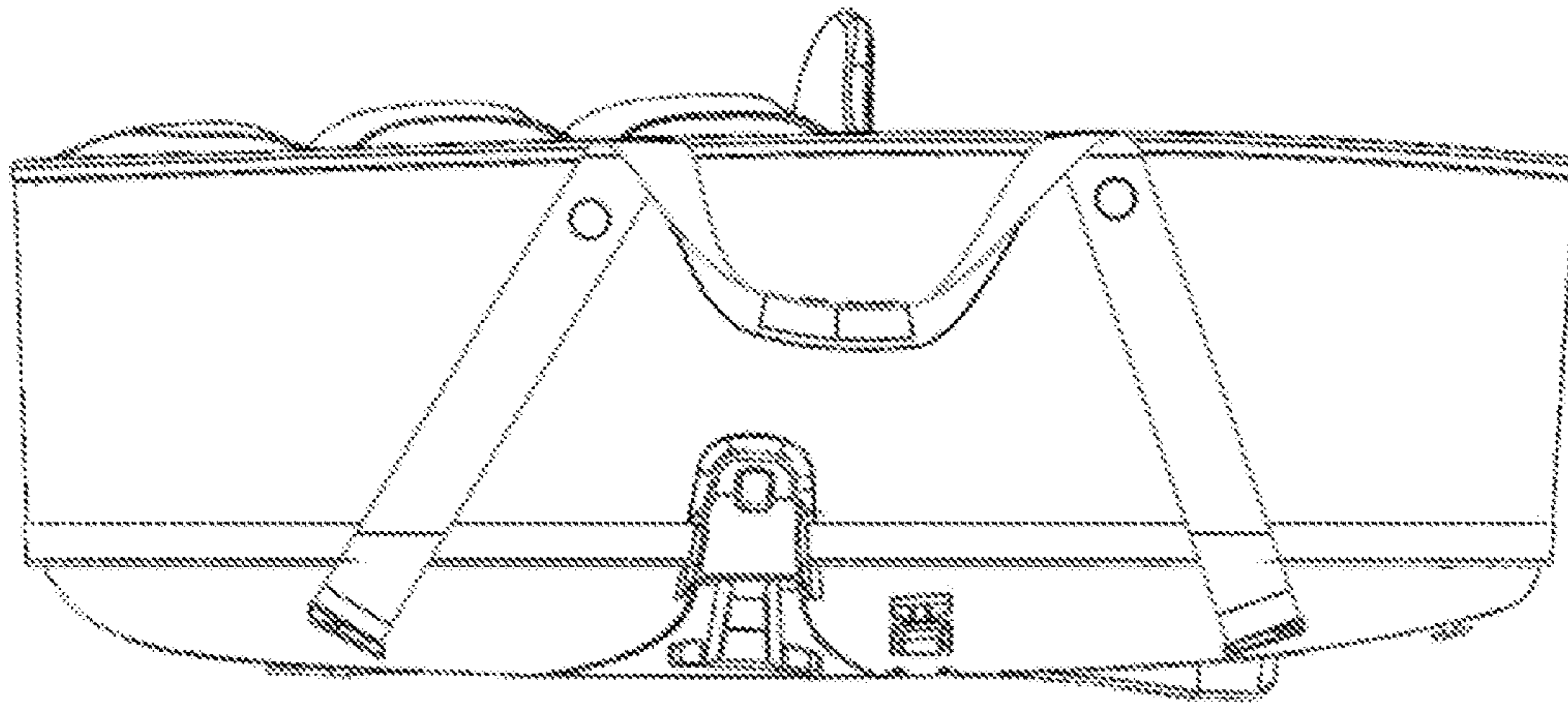


**FIG. 11**

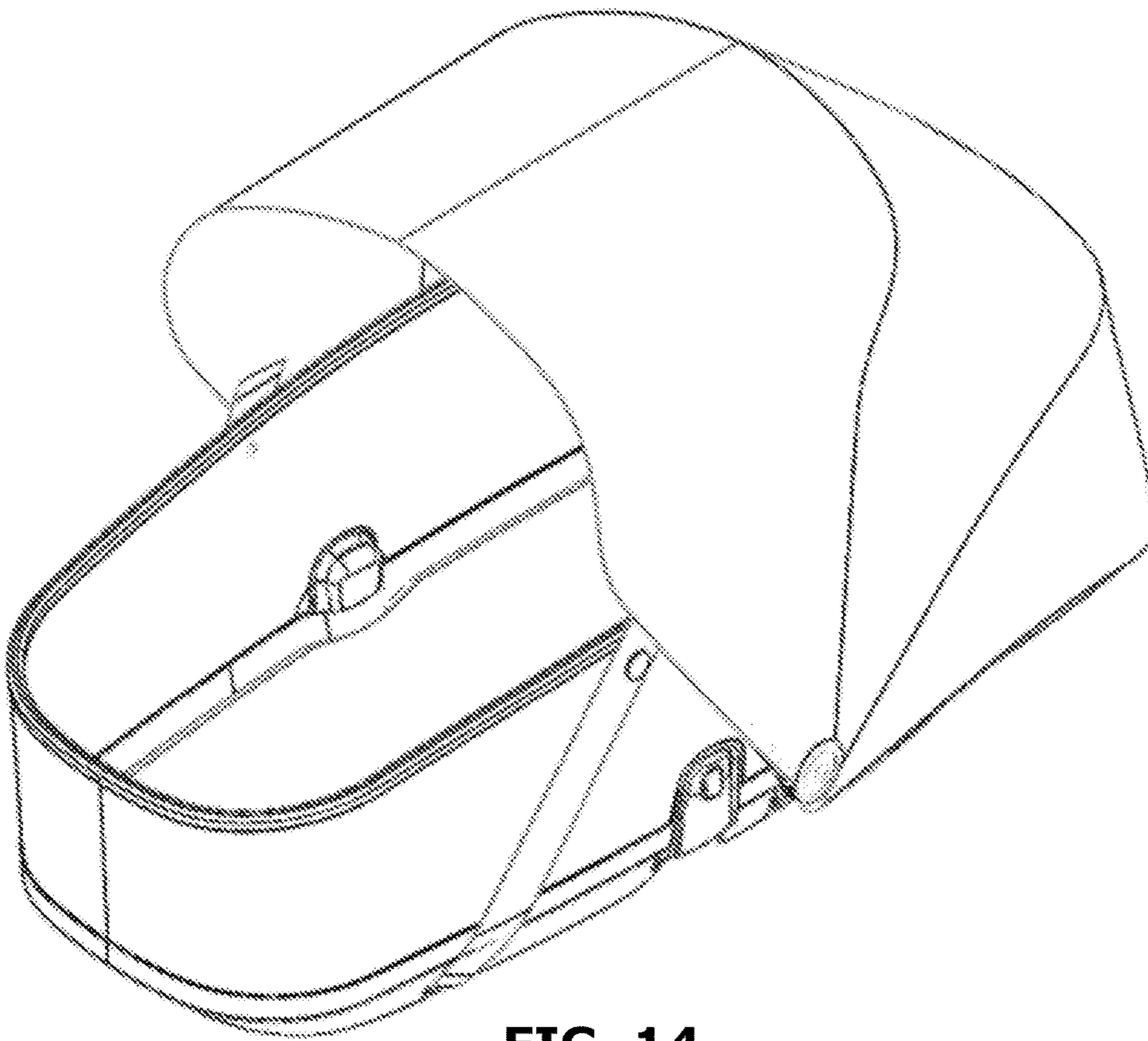


**FIG. 12**

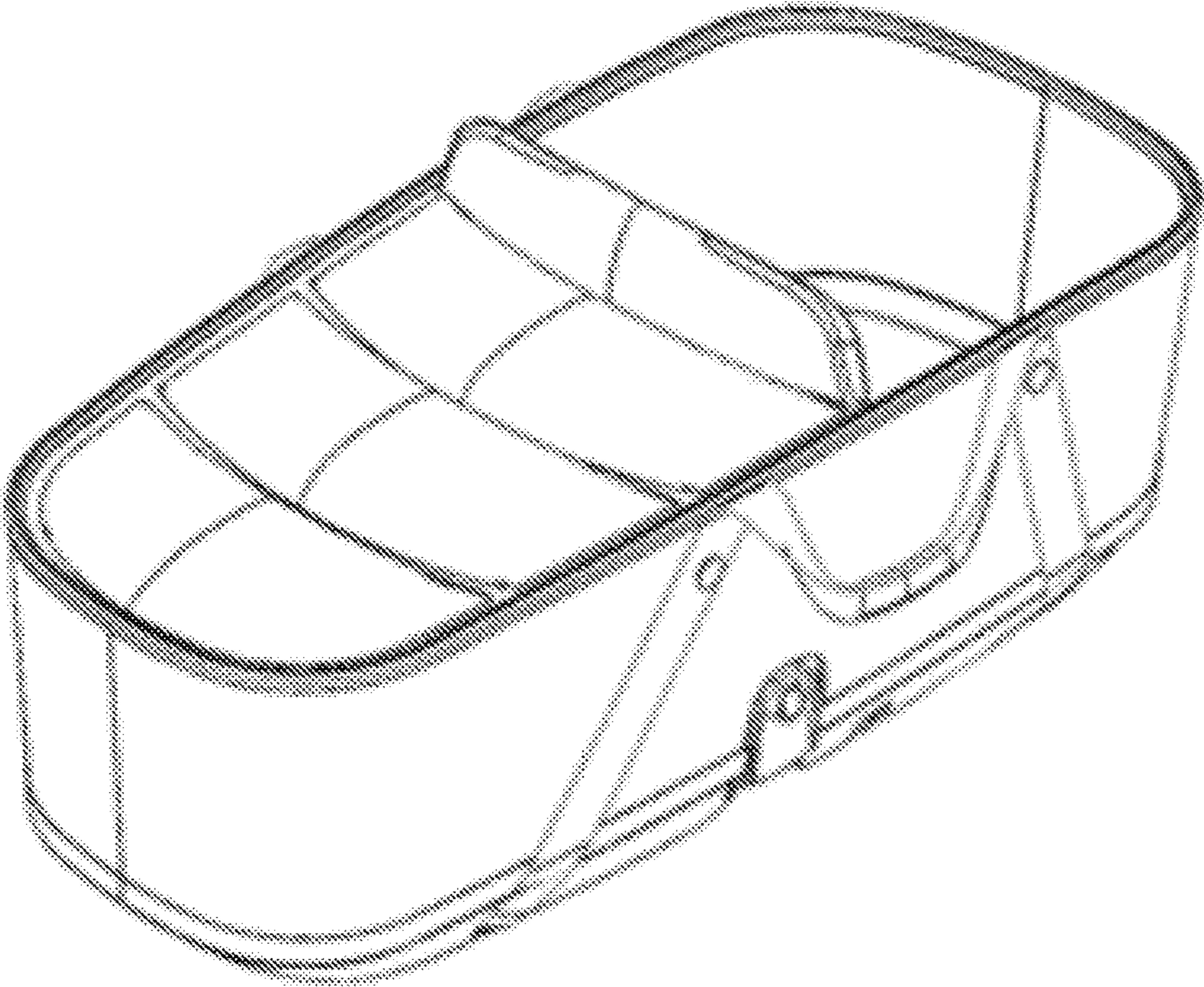




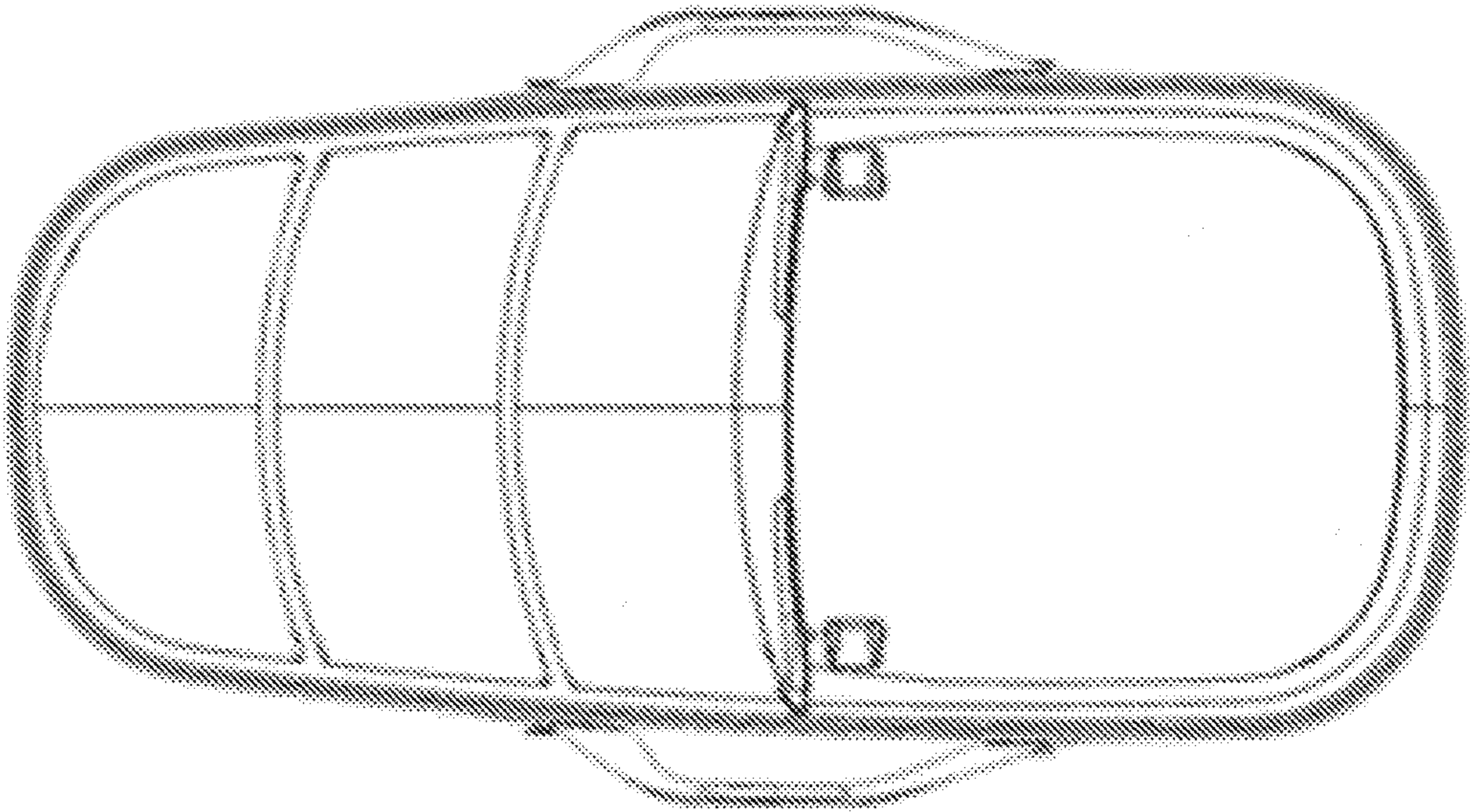
**FIG. 13**



**FIG. 14**

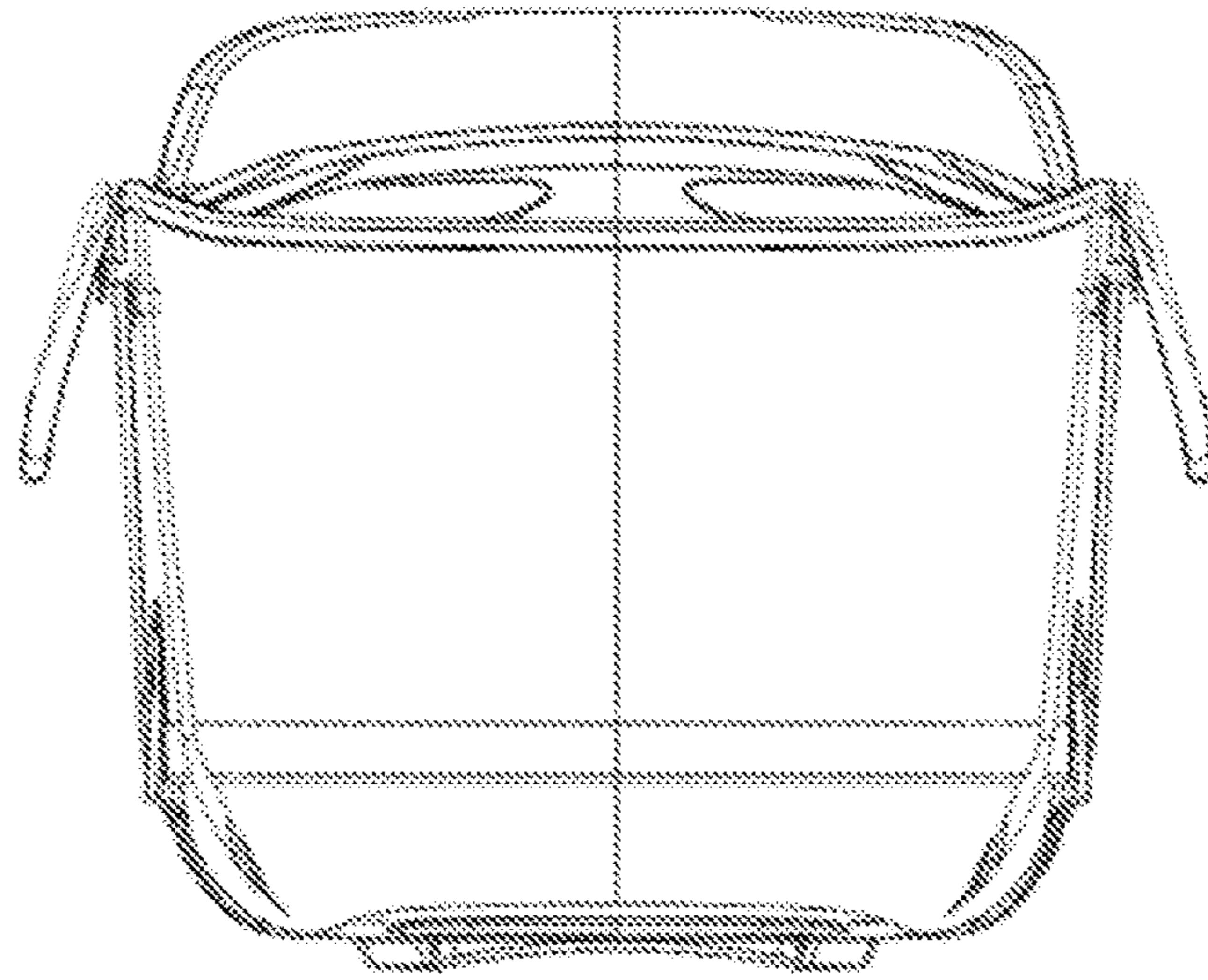


**FIG. 15**

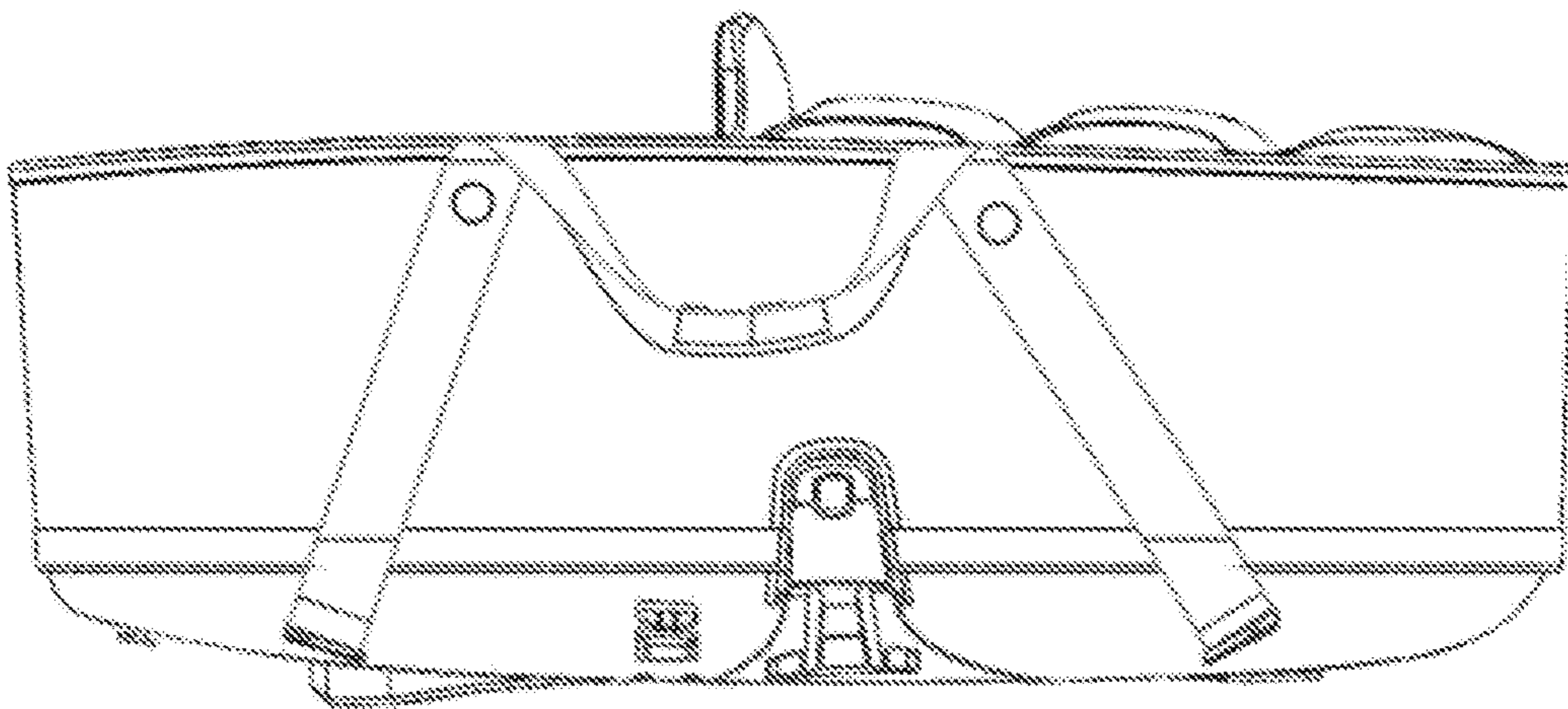


**FIG. 16**





**FIG. 17**



**FIG. 18**



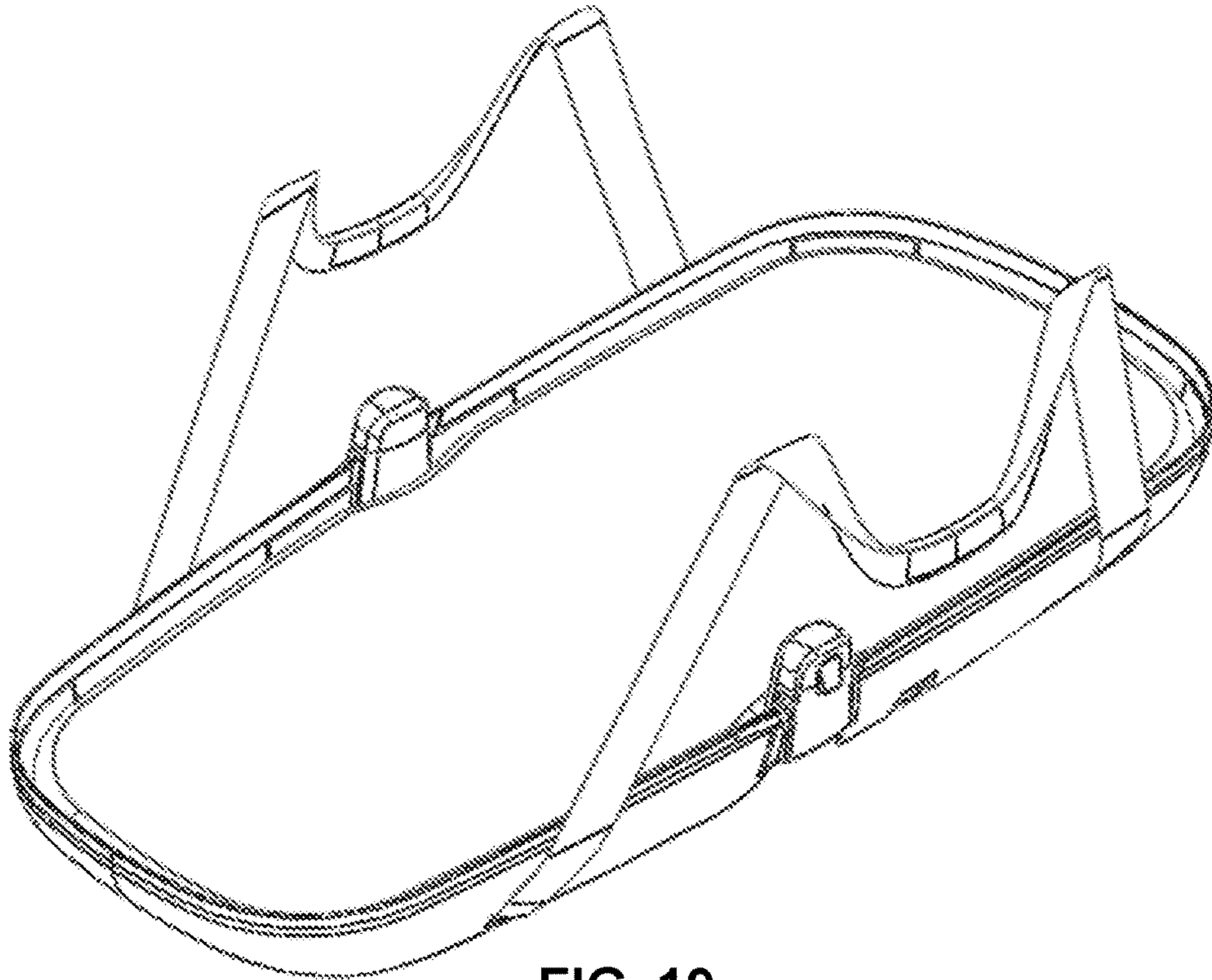


FIG. 19

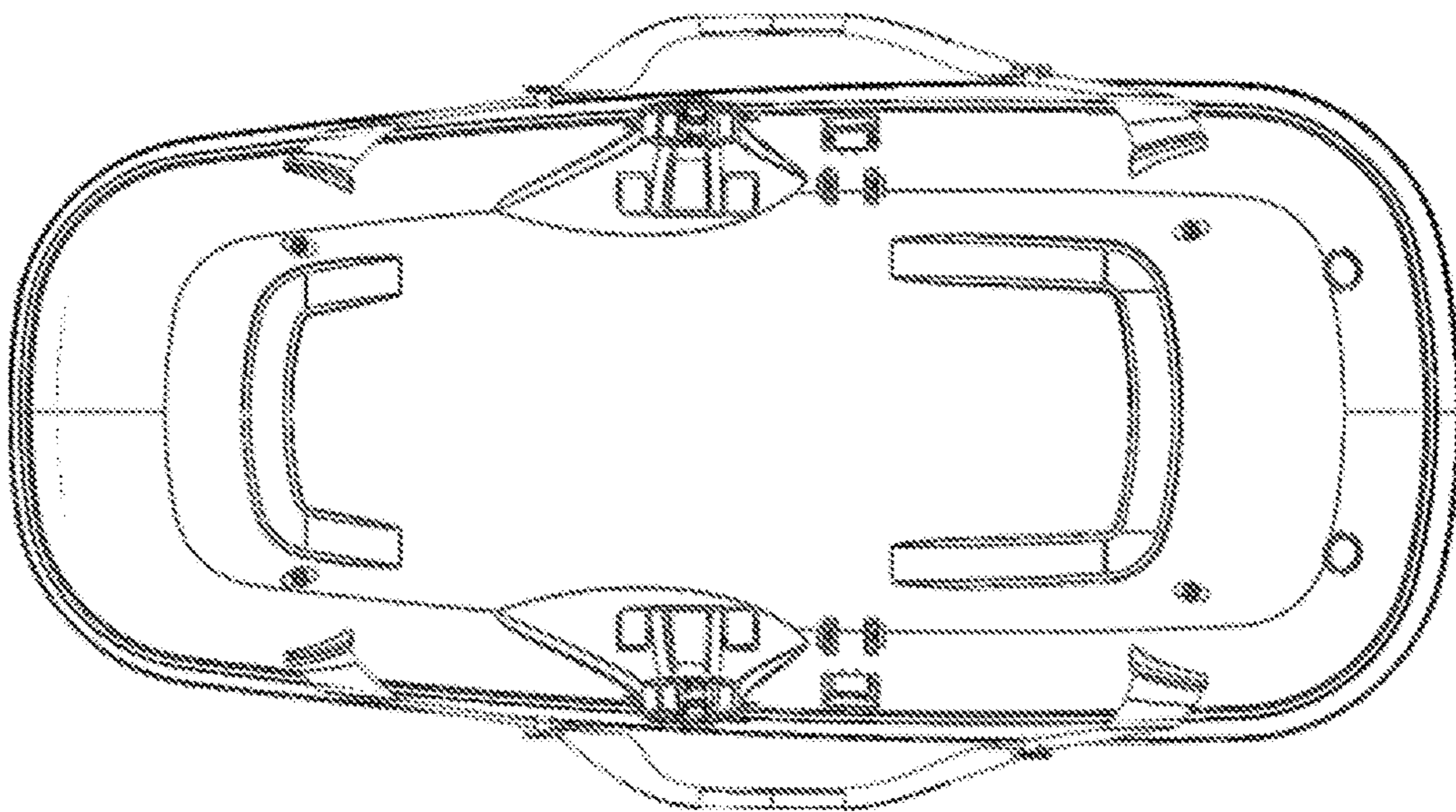


FIG. 20



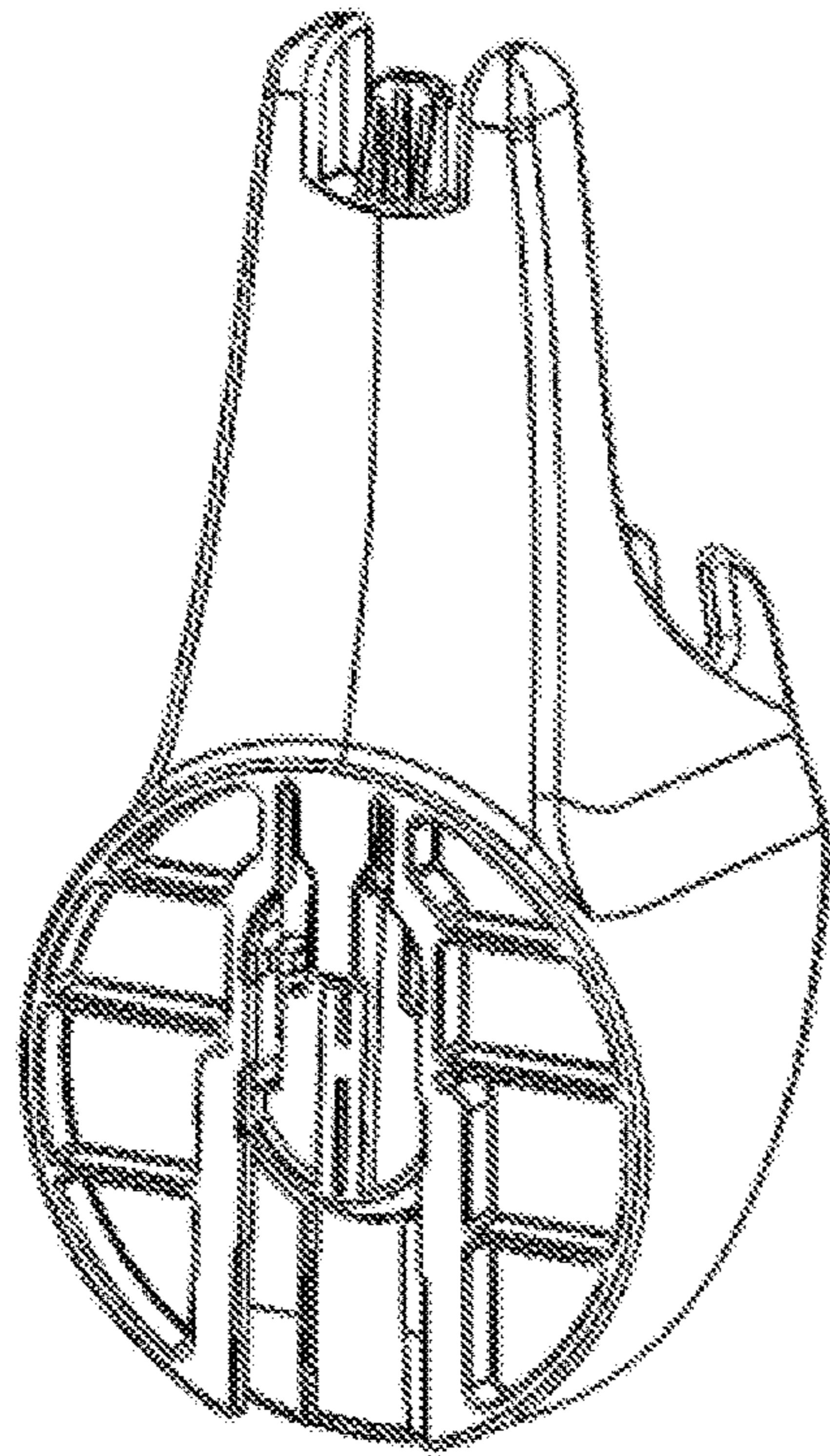


FIG. 21

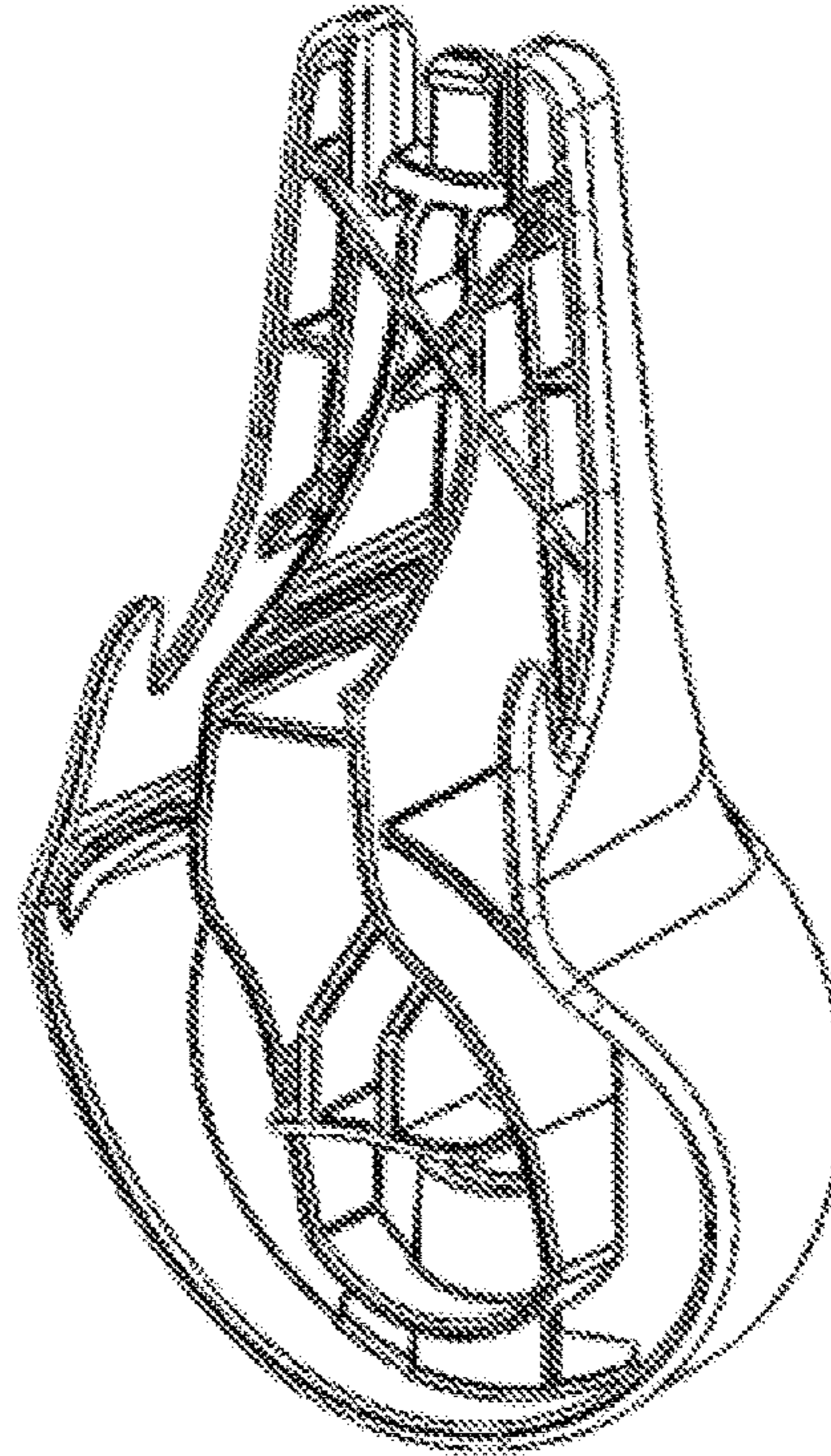


FIG. 22

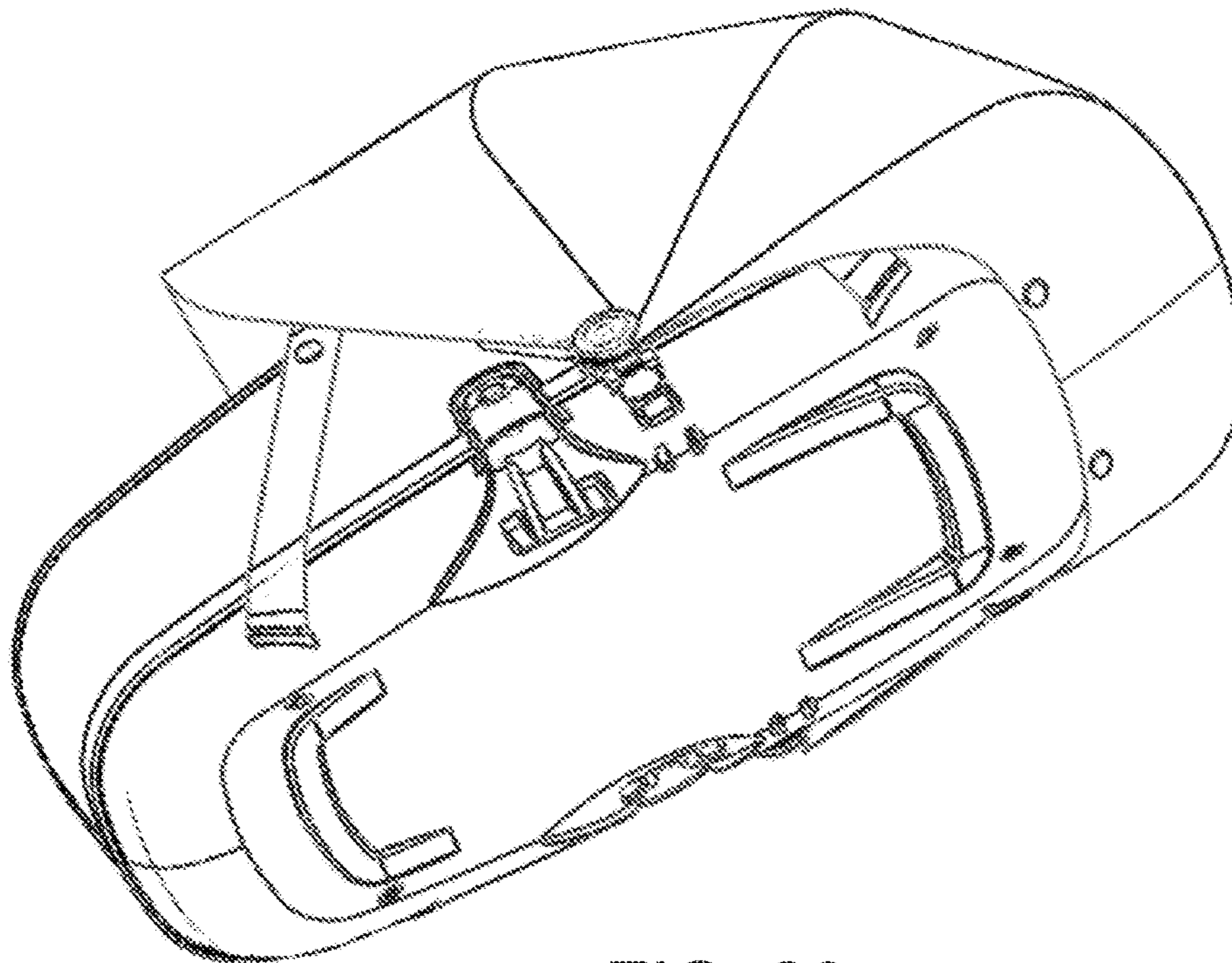


FIG. 23