



US00D818398S

(12) **United States Design Patent**
Bridan

(10) **Patent No.:** **US D818,398 S**

(45) **Date of Patent:** **** May 22, 2018**

(54) **AUTOMOBILE, TOY REPLICA AND/OR
OTHER REPLICAS**

(71) Applicant: **HONDA MOTOR CO., LTD.**, Tokyo
(JP)

(72) Inventor: **Iliya Bridan**, Raymond, OH (US)

(73) Assignee: **HONDA MOTOR CO., LTD.**, Tokyo
(JP)

(**) Term: **15 Years**

(21) Appl. No.: **29/580,181**

(22) Filed: **Oct. 6, 2016**

(30) **Foreign Application Priority Data**

Apr. 12, 2016 (JP) 2016-008084

(51) **LOC (11) Cl.** **12-08**

(52) **U.S. Cl.**
USPC **D12/91**

(58) **Field of Classification Search**
USPC D12/86, 90-92, 88; D21/421, 433, 434;
296/181.1, 181.5

CPC B62D 35/00; B62D 25/00; B62D 25/06;
B62D 33/00

See application file for complete search history.

(56) **References Cited**

U.S. PATENT DOCUMENTS

D691,073 S * 10/2013 Takahashi D12/164
D712,312 S * 9/2014 Nakayama D12/91
D719,063 S * 12/2014 Ohashi D12/91
D719,486 S * 12/2014 Murakami D12/91
D719,487 S * 12/2014 Asai D12/91
D724,493 S * 3/2015 Kobayashi D12/91
D727,795 S * 4/2015 Wagner D12/91

D728,422 S * 5/2015 Minami D12/91
D742,281 S * 11/2015 Ishii D12/91
D744,377 S * 12/2015 Minami D12/91
D761,693 S * 7/2016 Lian D12/91
D766,133 S * 9/2016 Ohhashi D12/91
D770,336 S * 11/2016 Liu D12/169
D770,941 S * 11/2016 Jeon D12/91
D776,006 S * 1/2017 Uchiyama D12/91
D776,009 S * 1/2017 Murakami D12/91
D780,065 S * 2/2017 Suzuki D12/91
D781,180 S * 3/2017 Minami D12/91
D784,857 S * 4/2017 Ishii D12/91
D795,744 S * 8/2017 Sahara D12/91
D803,725 S * 11/2017 Suzuki D12/91
D804,359 S * 12/2017 Ishii D12/91

* cited by examiner

Primary Examiner — Melody N Brown

(74) *Attorney, Agent, or Firm* — Westerman, Hattori,
Daniels & Adrian, LLP

(57) **CLAIM**

The ornamental design for an automobile, toy replica and/or other replicas, as shown and described.

DESCRIPTION

FIG. 1 is a front and right side perspective view of an automobile, toy replica and/or other replicas showing my new design;

FIG. 2 is a rear and right side perspective view thereof;

FIG. 3 is a right side elevation view thereof;

FIG. 4 is a left side elevation view thereof;

FIG. 5 is a front elevation view thereof;

FIG. 6 is a rear elevation view thereof; and,

FIG. 7 is a top plan view thereof.

The broken lines in the drawings illustrate portions of the automobile, toy replica and/or other replicas that forms no part of the claimed design.

1 Claim, 7 Drawing Sheets

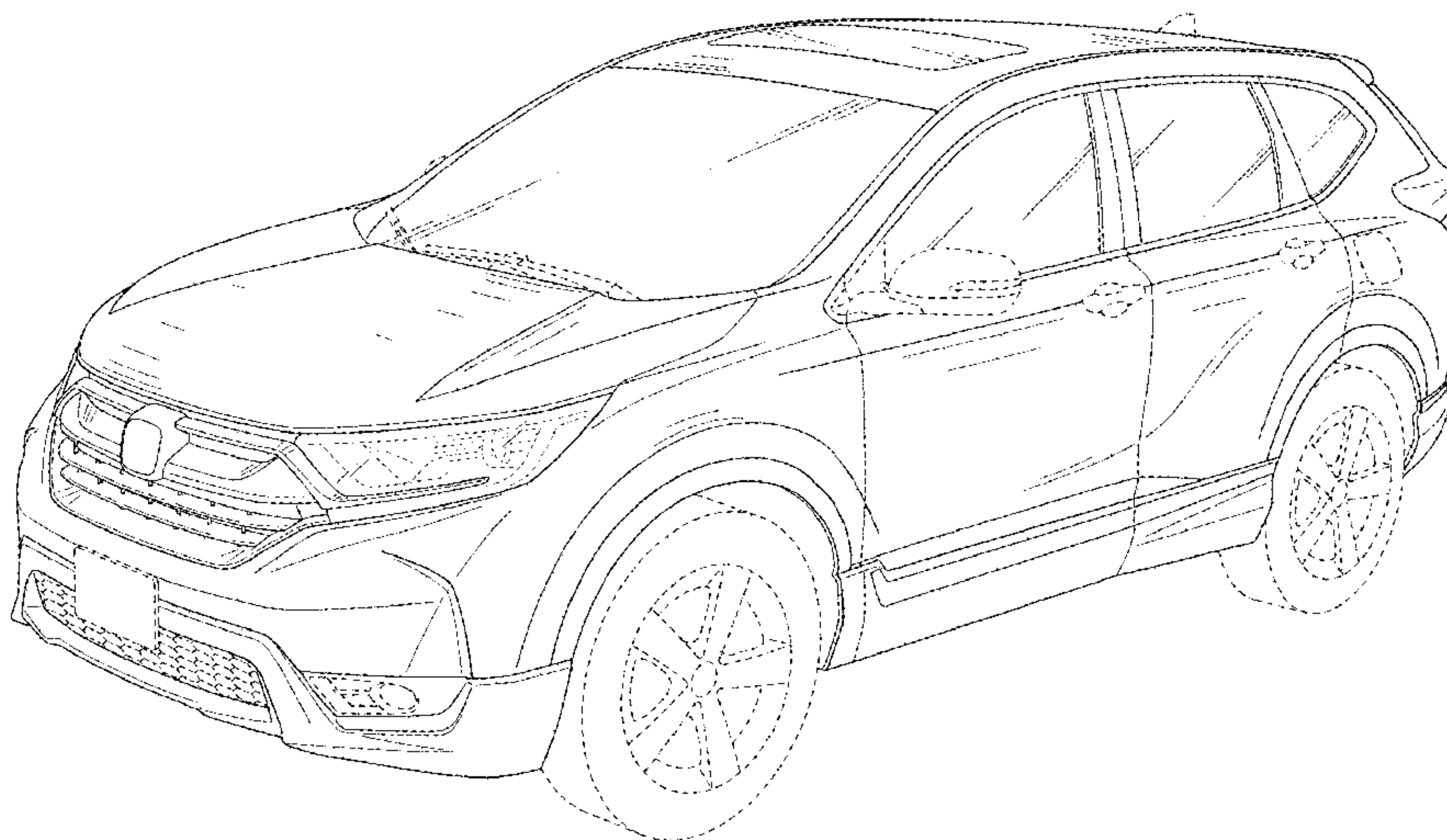


FIG. 1

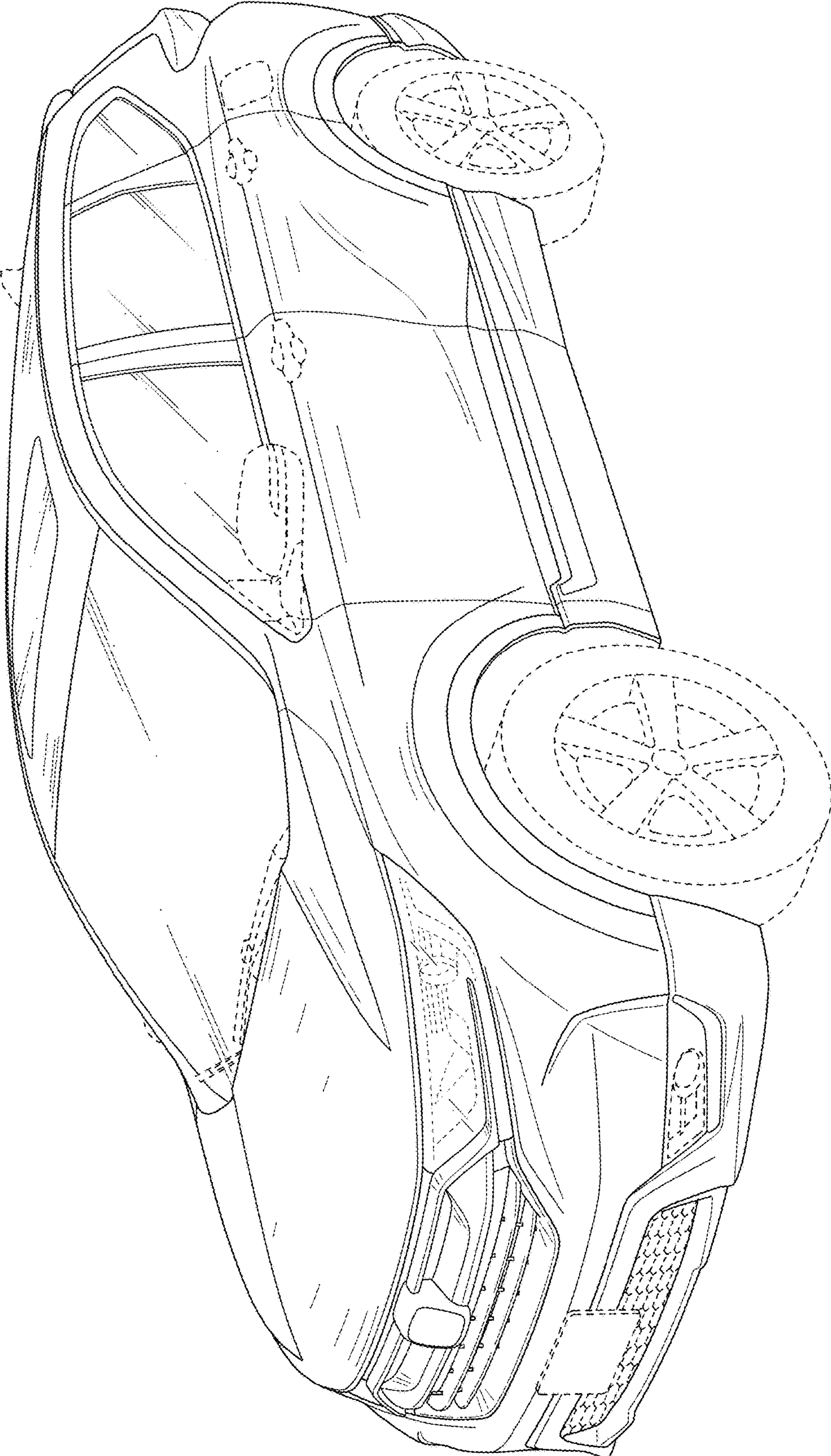


FIG. 2

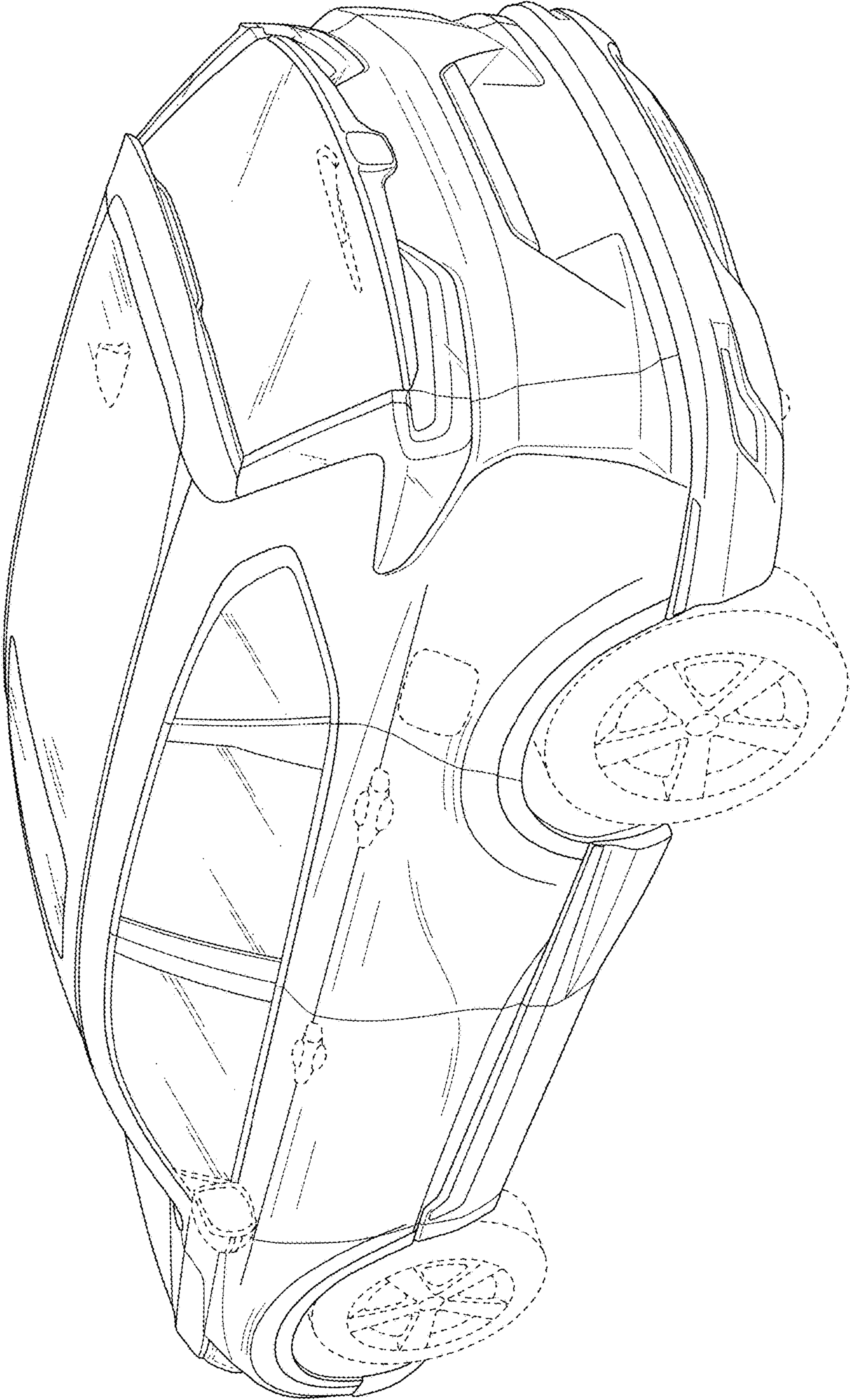


FIG. 3

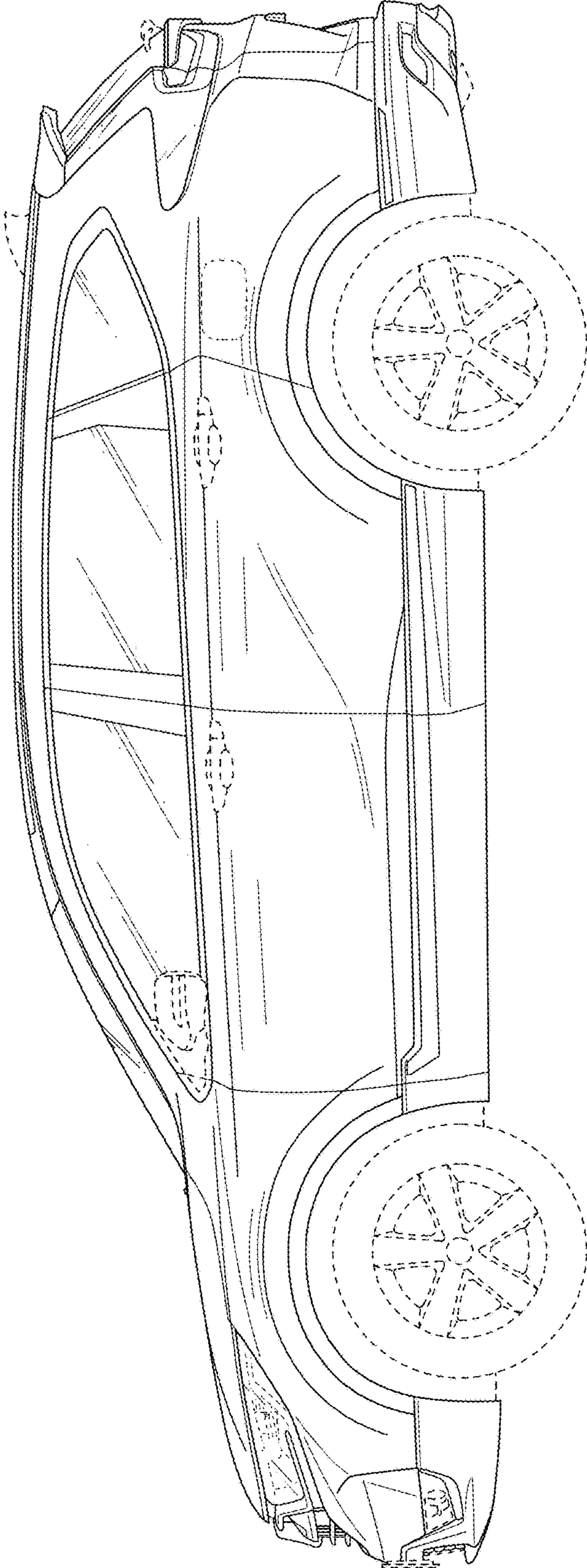


FIG. 4

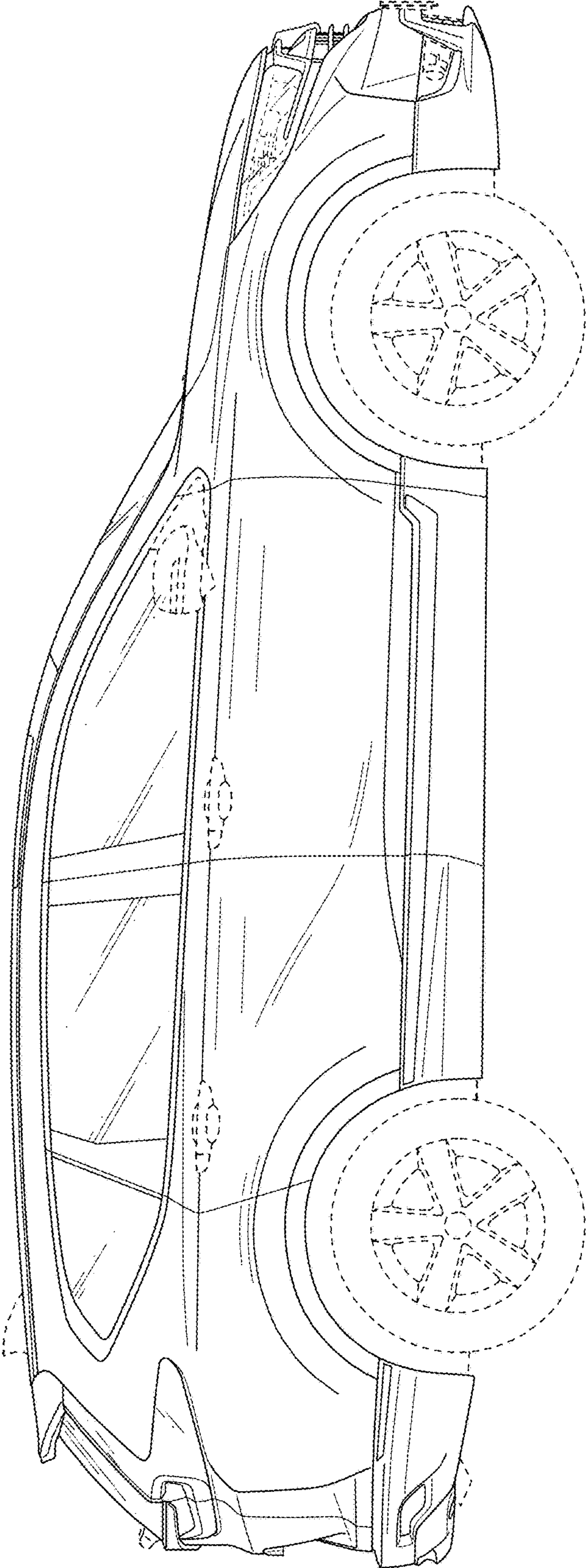


FIG. 5

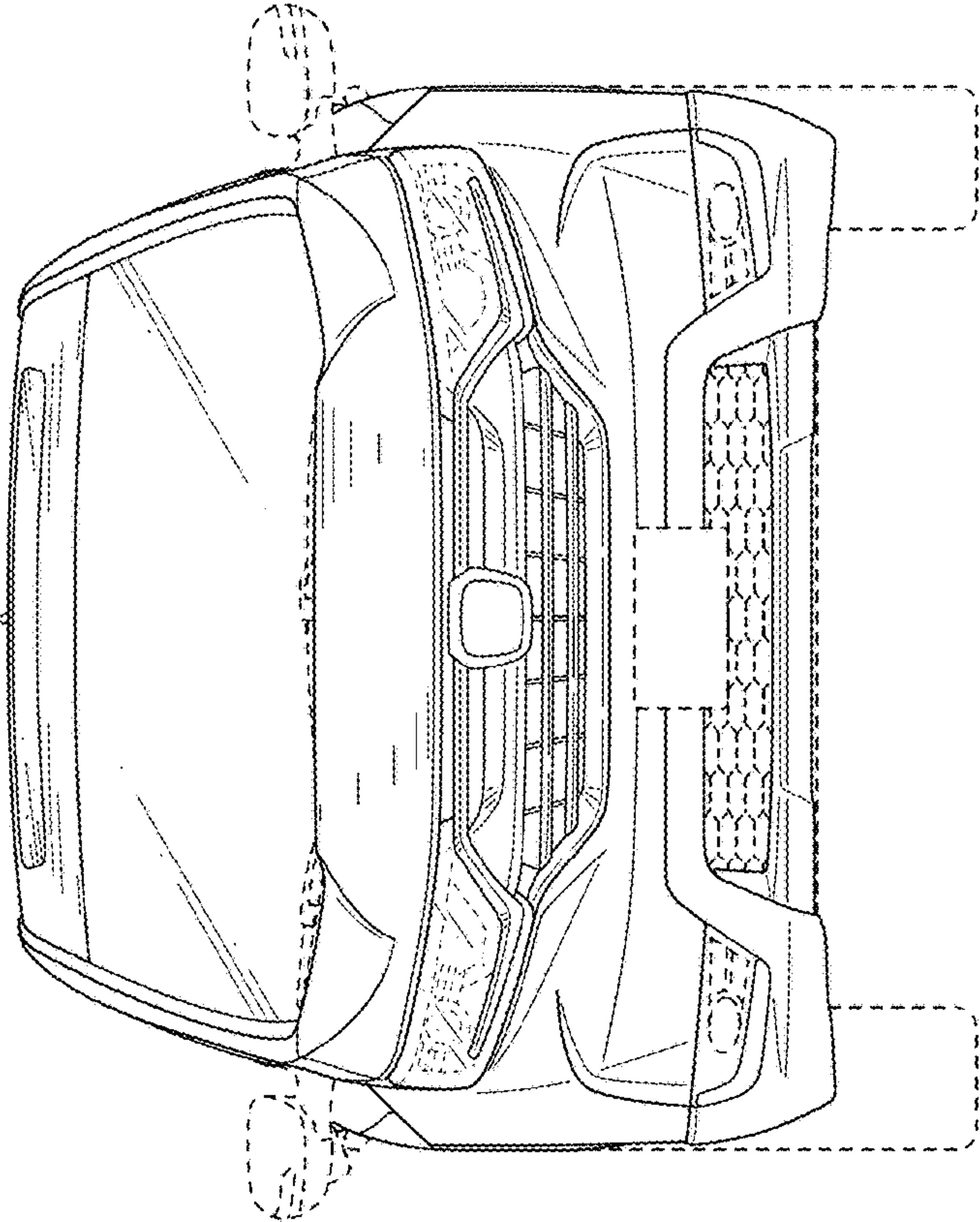


FIG. 6

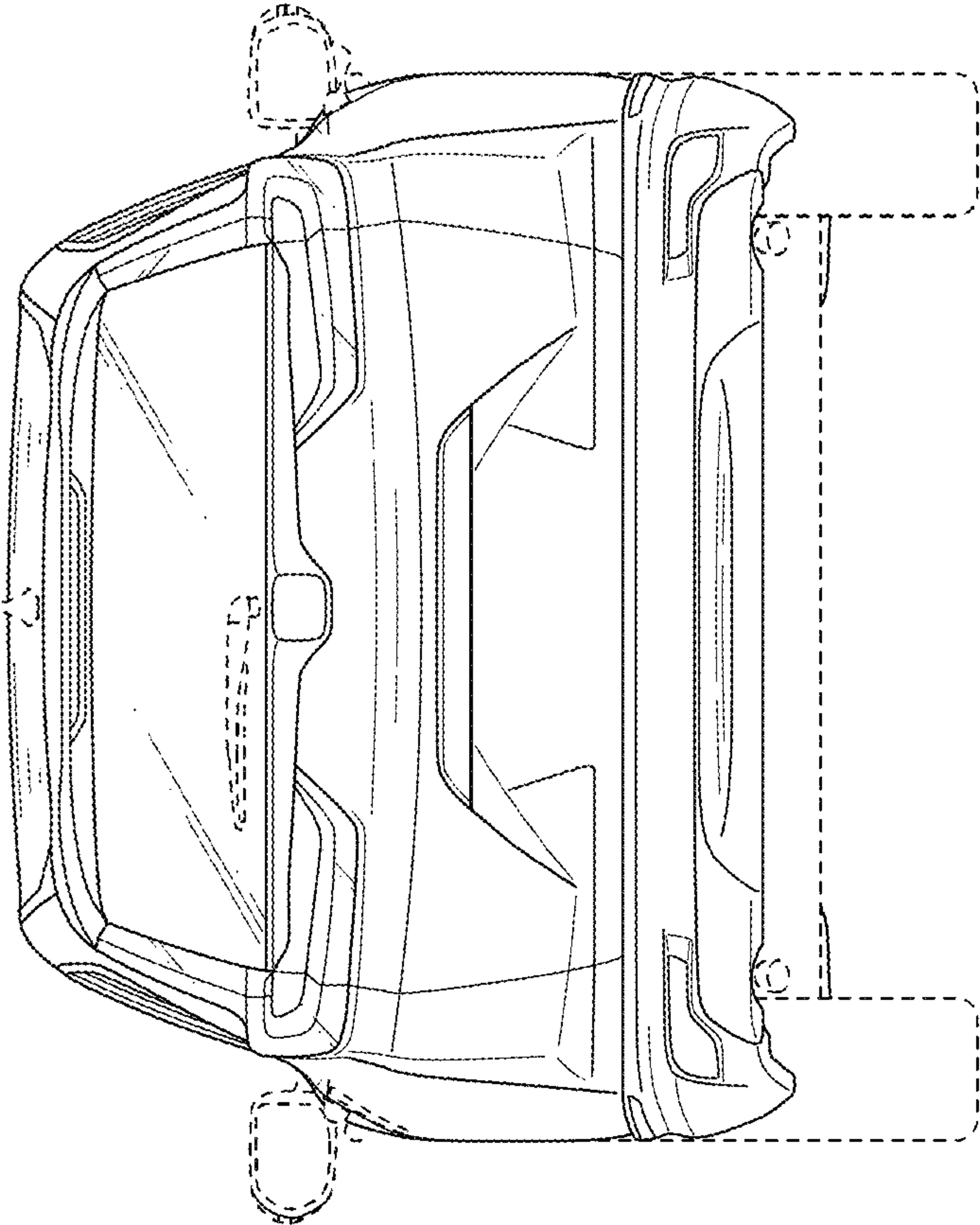


FIG. 7

