



US00D818396S

(12) **United States Design Patent** (10) **Patent No.:** **US D818,396 S**
Marsh et al. (45) **Date of Patent:** **** May 22, 2018**

(54) **VEHICLE WALKWAY COVER**

(56) **References Cited**

(71) Applicant: **General Electric Company**,
Schenectady, NY (US)
(72) Inventors: **Gregory Alan Marsh**, Erie, PA (US);
Kevin Michael Fisher, North East, PA
(US); **Lamar Keith Ledbetter**,
Lawrence Park, PA (US); **William**
Robert Miller, Lawrence Park, PA
(US); **Cheryle Wilson**, Lawrence Park,
PA (US); **Micah Plott**, Erie, PA (US)

U.S. PATENT DOCUMENTS

631,739 A * 8/1899 Dunn B61D 17/14
105/457
4,572,328 A * 2/1986 Benko B66F 11/04
182/1
9,403,486 B2 * 8/2016 May B60R 3/005
2012/0318178 A1 * 12/2012 Hanks B60P 1/00
108/20
2015/0060202 A1 * 3/2015 Fanello B60R 3/005
182/113

* cited by examiner

(73) Assignee: **General Electric Company**,
Schenectady, NY (US)

Primary Examiner — T. Chase Nelson
Assistant Examiner — Ania Aman
(74) *Attorney, Agent, or Firm* — GE Global Patent
Operation; John A. Kramer

(**) Term: **15 Years**

(21) Appl. No.: **29/613,587**

(57) **CLAIM**

The ornamental design for a vehicle walkway cover, as
shown and described.

(22) Filed: **Aug. 11, 2017**

DESCRIPTION

Related U.S. Application Data

(62) Division of application No. 29/518,747, filed on Feb.
26, 2015, now Pat. No. Des. 796,996.

(51) **LOC (11) Cl.** **12-03**

(52) **U.S. Cl.**
USPC **D12/42**

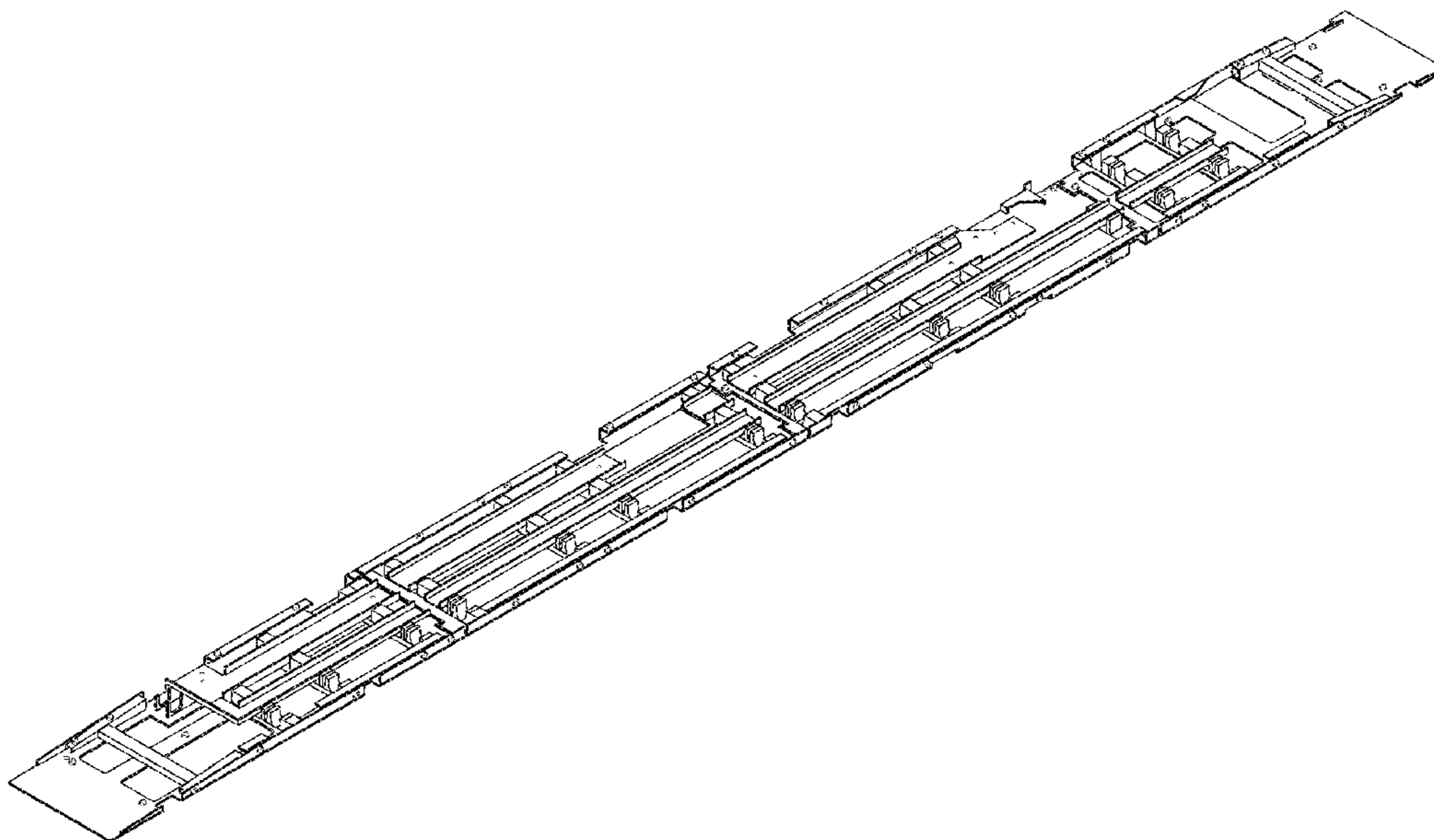
(58) **Field of Classification Search**
USPC D12/203, 36-51; D25/62, 69, 119-124
CPC B60R 3/02; B60R 3/00; B60R 9/02; B60R
3/002; B60R 3/005; B61B 1/02; B61D
23/00; B61D 39/00; B61D 17/10; B61D
17/048; B61D 23/02

FIG. 1 is a perspective view of a vehicle walkway cover
depicting our new design;
FIG. 2 is a top plan view thereof;
FIG. 3 is a bottom plan view thereof;
FIG. 4 is an end view thereof;
FIG. 5 is an opposite end view thereof;
FIG. 6 is a view of a first side thereof;
FIG. 7 is a view of a second side thereof; and,
FIG. 8 is a perspective view depicting a bottom surface
thereof.

The broken lines shown in the drawings are for the purpose
of illustrating portions of the article that form no part of the
claimed design.

See application file for complete search history.

1 Claim, 4 Drawing Sheets



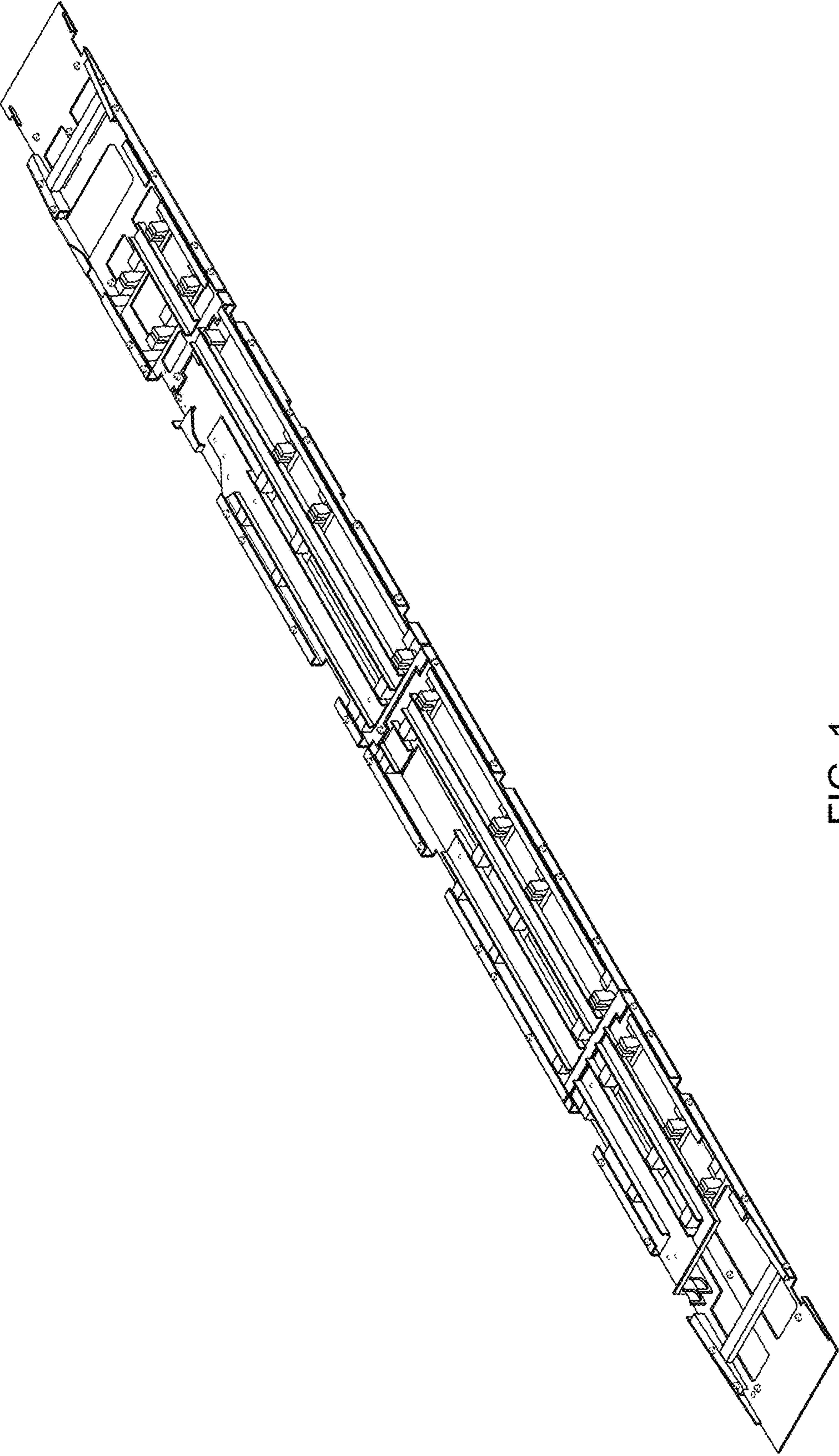


FIG. 1

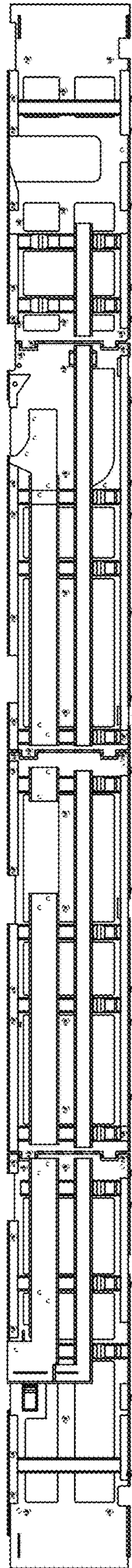


FIG. 2

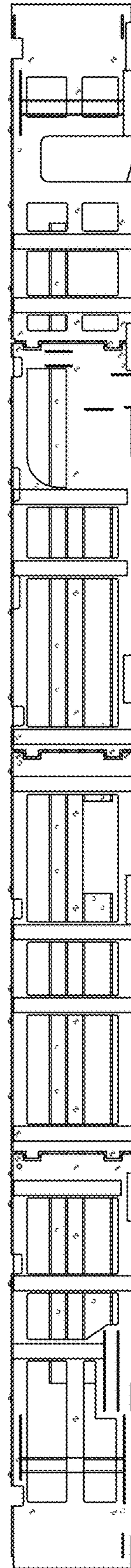


FIG. 3

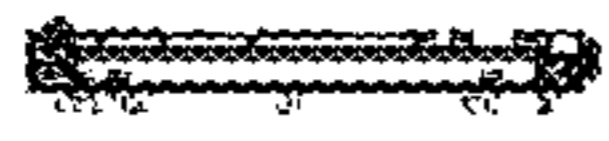


FIG. 4

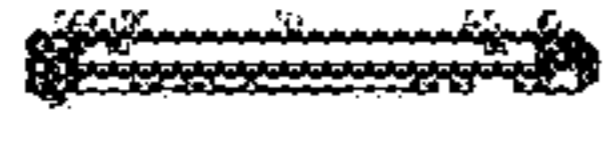


FIG. 5

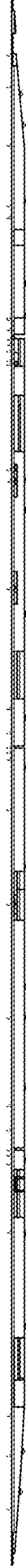


FIG. 6



FIG. 7

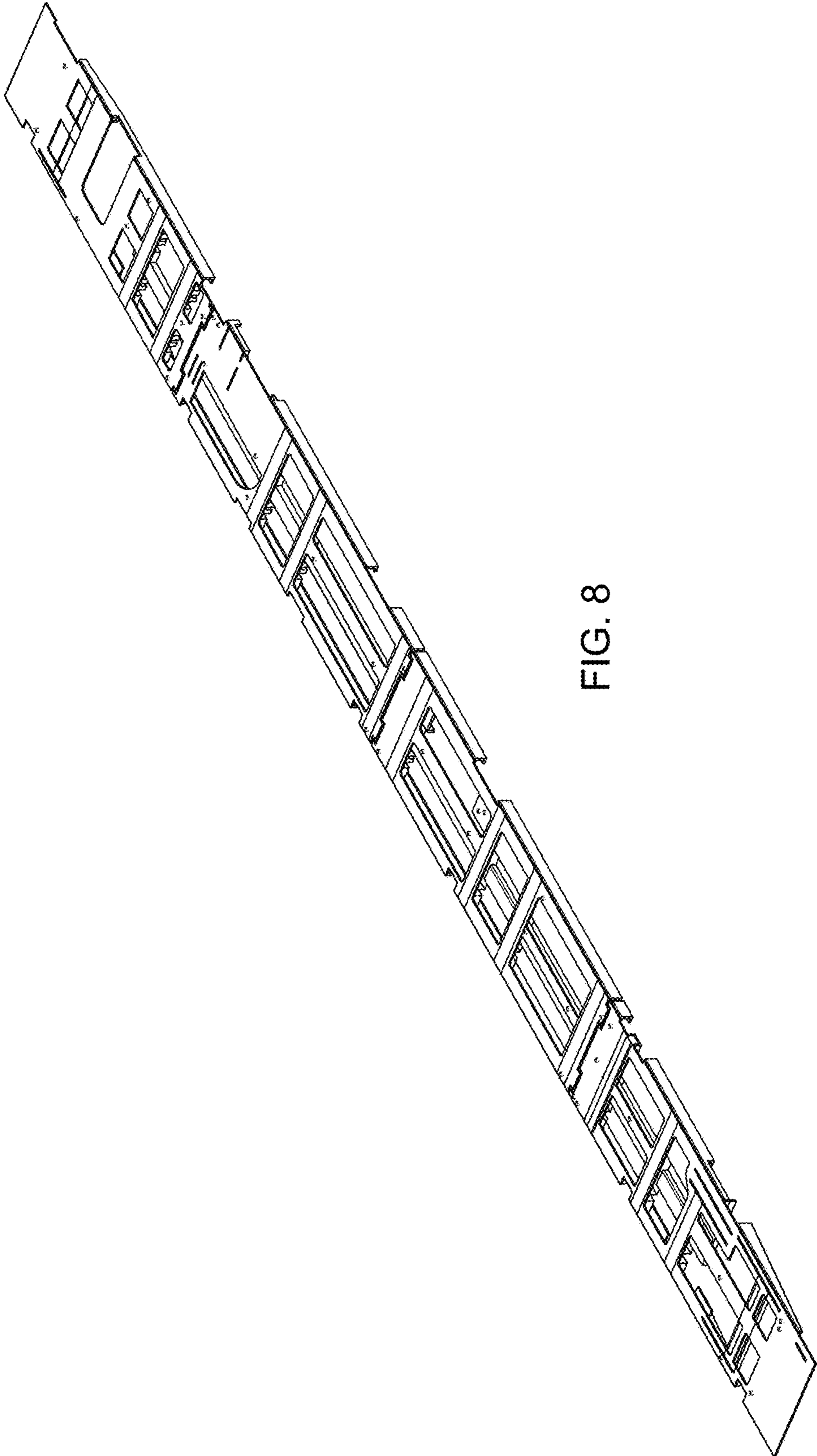


FIG. 8