



US00D818393S

(12) **United States Design Patent**
Chen

(10) **Patent No.:** **US D818,393 S**

(45) **Date of Patent:** **** May 22, 2018**

(54) **SNAP FASTENER**

(71) Applicant: **Duraflex Hong Kong Limited**, Hong Kong (HK)

(72) Inventor: **Te Chien Chen**, Hong Kong (HK)

(73) Assignee: **DURAFLEX HONG KONG LIMITED**, Hong Kong (HK)

(**) Term: **15 Years**

(21) Appl. No.: **29/568,860**

(22) Filed: **Jun. 22, 2016**

(51) **LOC (11) Cl.** **02-07**

(52) **U.S. Cl.**
USPC **D11/220**

(58) **Field of Classification Search**
USPC D11/220
CPC A41F 1/002; A41F 1/08; A44B 17/0035;
A44B 17/0041; A44B 17/0076; A44B
17/0029; A44B 17/0011; A44B 17/0094;
A44B 17/0082; A44B 17/0005; A44B
17/0088; A44B 17/00; A44B 17/0017
See application file for complete search history.

(56) **References Cited**

U.S. PATENT DOCUMENTS

D27,536 S *	8/1897	Richardson	24/695
D27,537 S *	8/1897	Richardson	24/695
D27,538 S *	8/1897	Richardson	D11/220
D27,865 S *	11/1897	Richardson	D11/220
D29,448 S *	10/1898	Pringle	D11/220
993,518 A *	5/1911	Greenebaum	F16B 37/14 24/694

(Continued)

OTHER PUBLICATIONS

Boat snap fastener LOXX big head, posted at nauticexpo.com, posting date not given, [online], [site visited Aug. 3, 2017]. Avail

able from Internet, URL: <http://www.nauticexpo.com/prod/schaeffertecgmbh/product34155407451.html>.*

(Continued)

Primary Examiner — George D. Kirschbaum

Assistant Examiner — Maria J Edwards

(57) **CLAIM**

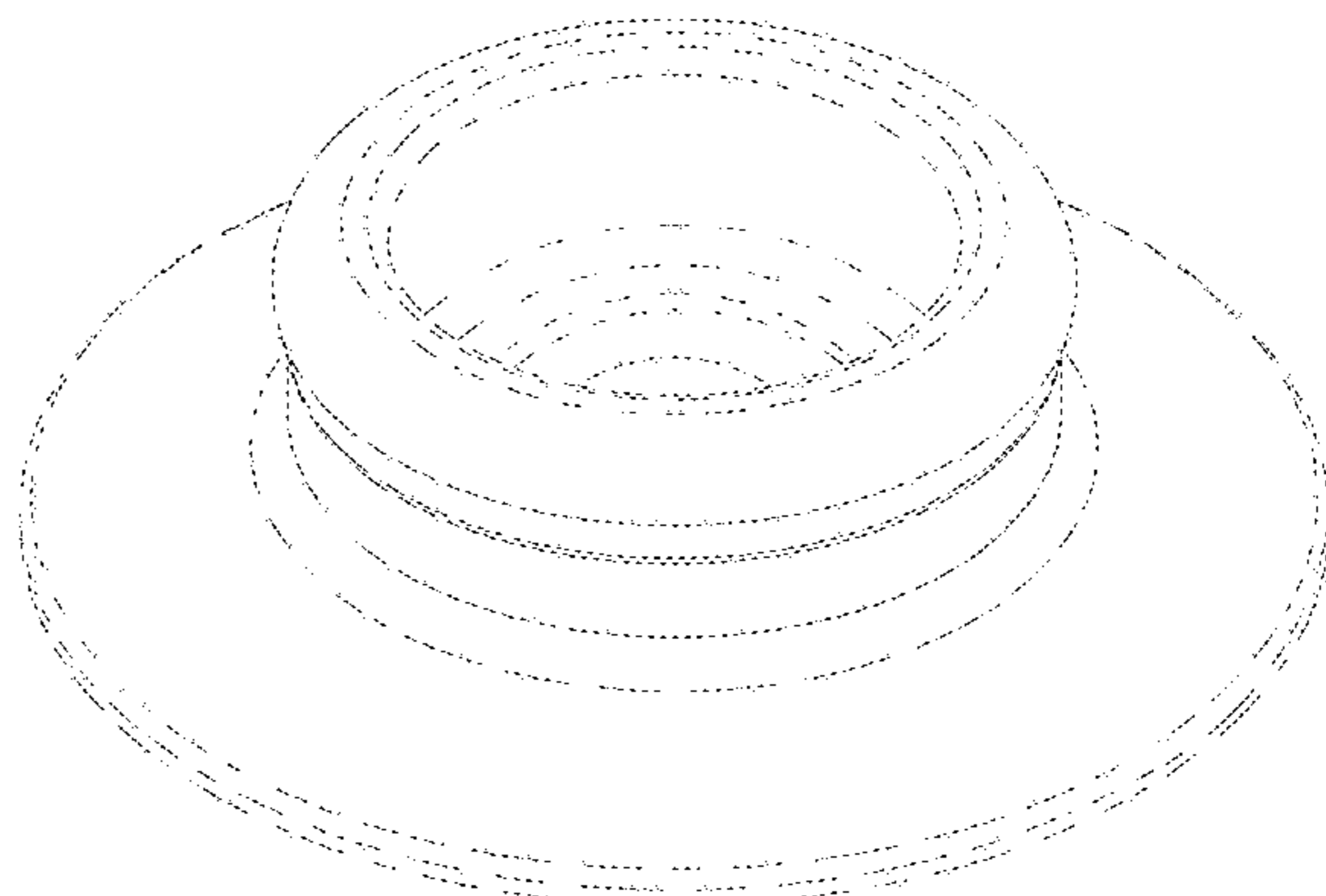
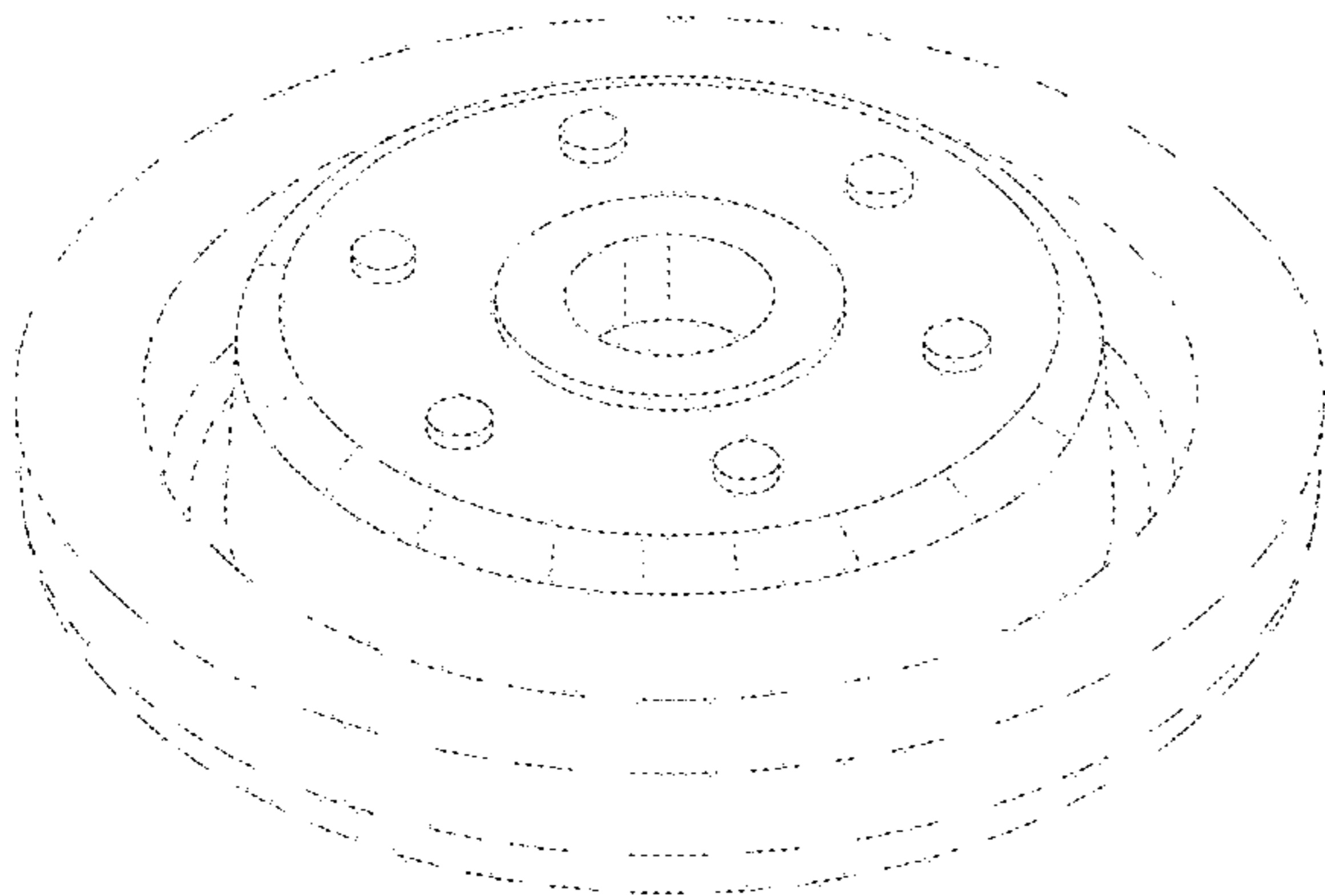
The ornamental design for a snap fastener, as shown and described.

DESCRIPTION

FIG. 1 is a front elevational view of a first component of a snap fastener shown separately for ease of illustration; FIG. 2 is a rear elevational view thereof; FIG. 3 is a left side view thereof; FIG. 4 is a right side view thereof; FIG. 5 is a top plan view thereof; FIG. 6 is a bottom plan view thereof; FIG. 7 is a front perspective view thereof; FIG. 8 is a rear perspective view thereof; FIG. 9 is a front elevational view of a second component of the snap fastener shown separately for ease of illustration; FIG. 10 is a rear elevational view of FIG. 9; FIG. 11 is a left side view of FIG. 9; FIG. 12 is a right side view of FIG. 9; FIG. 13 is a top plan view of FIG. 9; FIG. 14 is a bottom plan view of FIG. 9; FIG. 15 is a front perspective view of FIG. 9; FIG. 16 is a rear perspective view of FIG. 9; FIG. 17 is a perspective view of the snap fastener with the first and the second components combined together, the perspective being of the front of the second component; and, FIG. 18 is a perspective view of FIG. 17, the perspective being of the front of the first component.

The broken lines in the drawings illustrate portions of the snap fastener which form no part of the claimed design.

1 Claim, 15 Drawing Sheets



(56)

References Cited

U.S. PATENT DOCUMENTS

1,268,349 A * 6/1918 Hecht A44B 17/0011
24/667
1,283,081 A * 10/1918 Cone A44B 17/0011
24/662
2,440,684 A * 5/1948 Huelster A44B 17/0052
24/677
3,614,815 A * 10/1971 Nysten A44B 17/0029
24/662
D301,567 S * 6/1989 Burke D11/220
D303,641 S * 9/1989 Aoki D11/220
D319,201 S * 8/1991 Aoki D11/220
D477,246 S * 7/2003 Takeda D11/220
D689,395 S * 9/2013 Chan D11/220
D728,417 S * 5/2015 Pferdehirt D11/220
D728,418 S * 5/2015 Pferdehirt D11/220
D728,419 S * 5/2015 Pferdehirt D11/220
D728,420 S * 5/2015 Leung D11/220
D739,206 S * 9/2015 Foret D11/220

2009/0293239 A1* 12/2009 Stumpfl A44B 17/0011
24/306
2012/0304427 A1* 12/2012 Violato A44B 17/0011
24/662
2017/0156450 A1* 6/2017 Hutsenpiller A44B 17/0041

OTHER PUBLICATIONS

Sew on 6 Hole Snap Button Fasteners, posted at alibaba.com, posting date not given, [online], [site visited Aug. 3, 2017]. Available from Internet, URL: https://www.alibaba.com/productdetail/Nylonplasticsewonpressbutton_60186734653.html.*

SN15B50 Snap Button, posted at etsy.com, posting date not given, [online], [site visited Aug. 3, 2017]. Available from Internet, URL: <https://www.etsy.com/listing/203297482/sn15b50snapbuttoncap15mmringsocket>.*

Women coat button brass panel snap fasteners, posted at aliexpress.com, posting date not given, [online], [site visited Aug. 3, 2017]. Available from Internet, URL: <https://www.aliexpress.com/item/Womencoatbuttonbrasspanelsnapfastenerscoppersnapbuttonfourpiecebuckleypecottoncoats/32781673108.html>.*

* cited by examiner

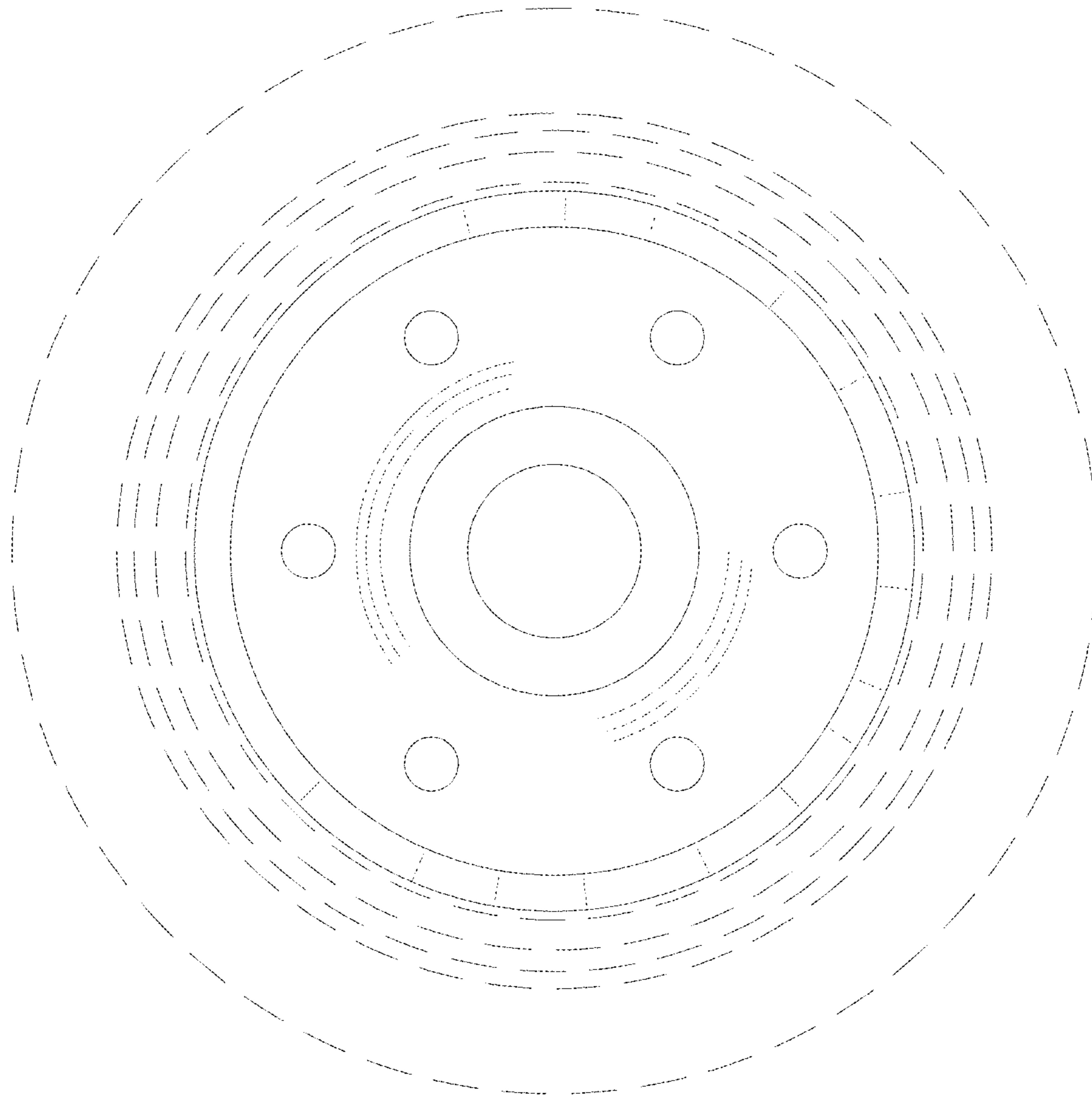


Fig.1

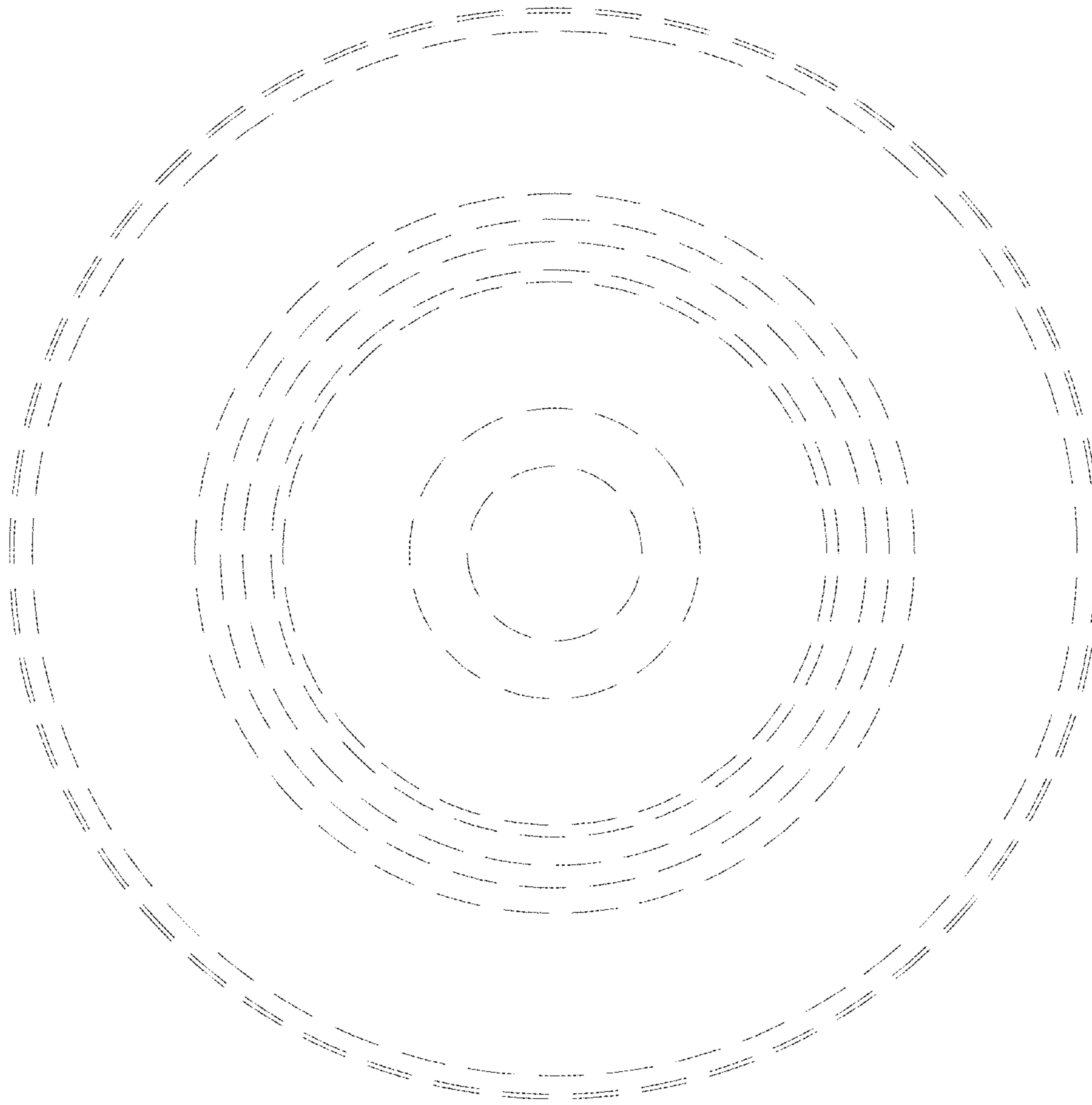


Fig.2

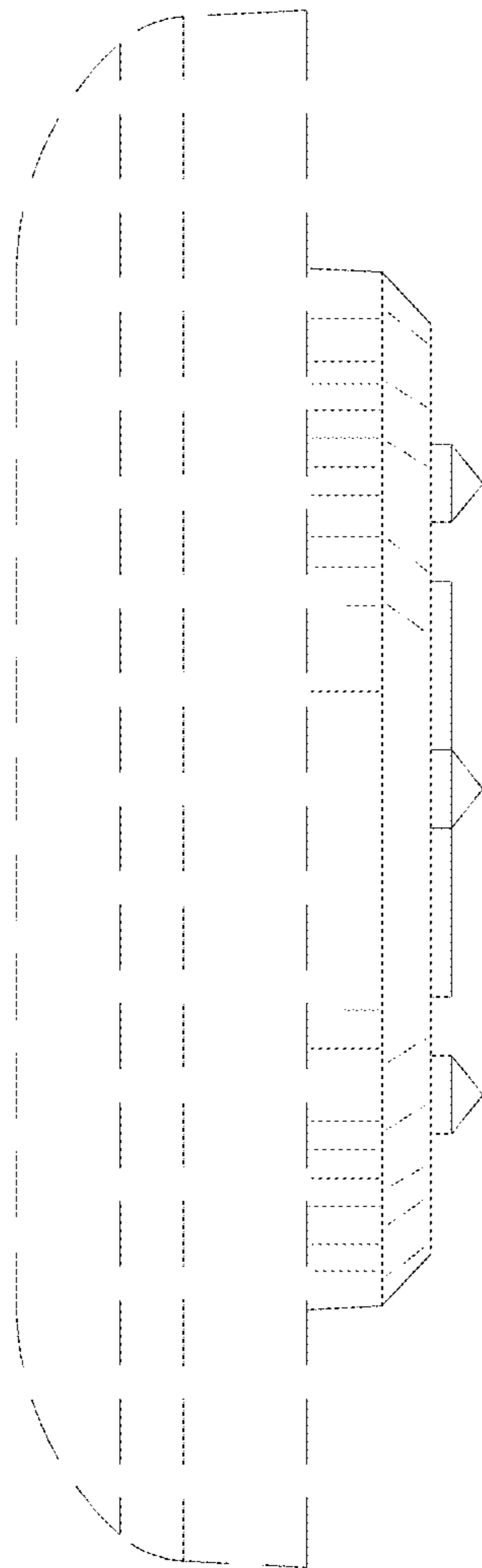


Fig.3

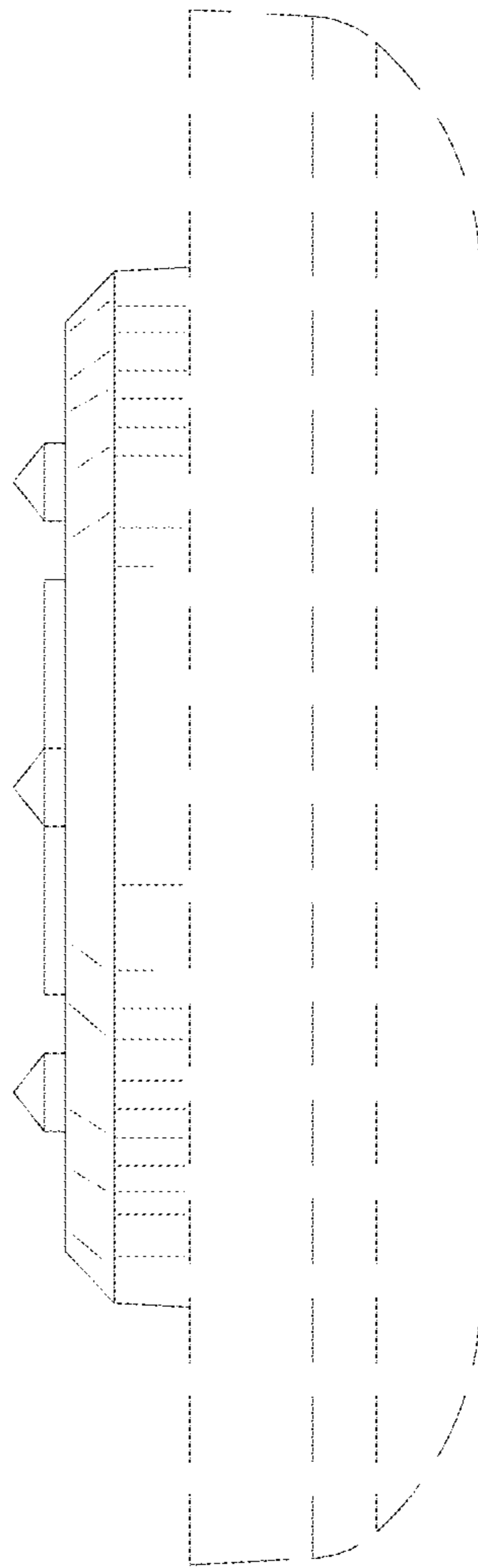


Fig.4

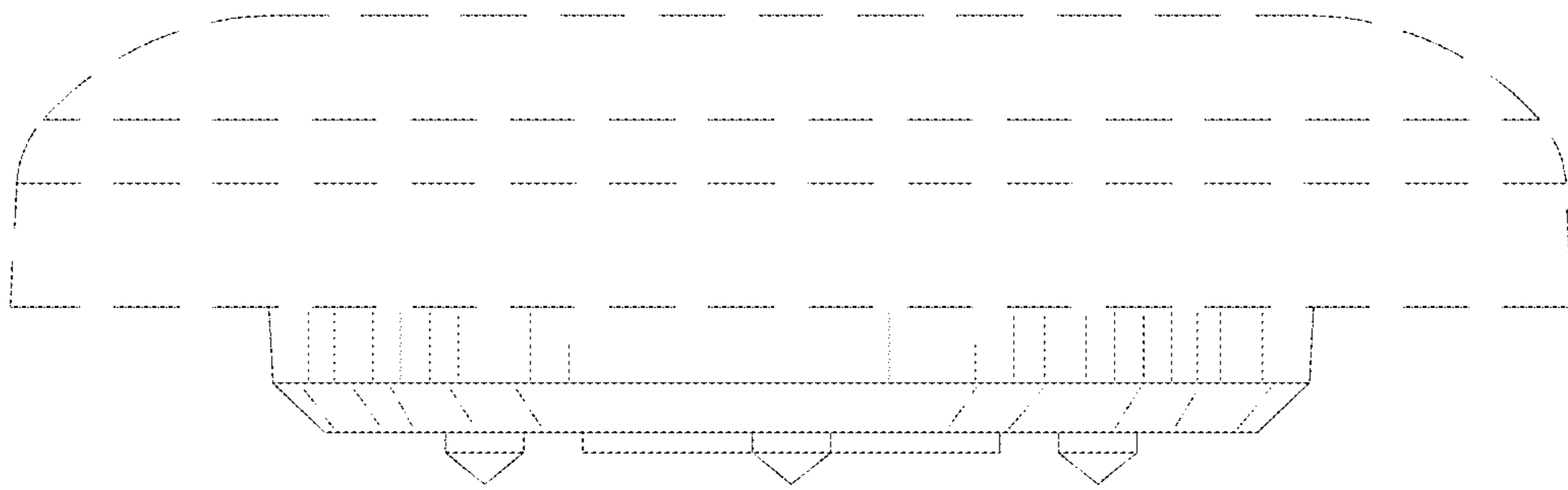


Fig.5

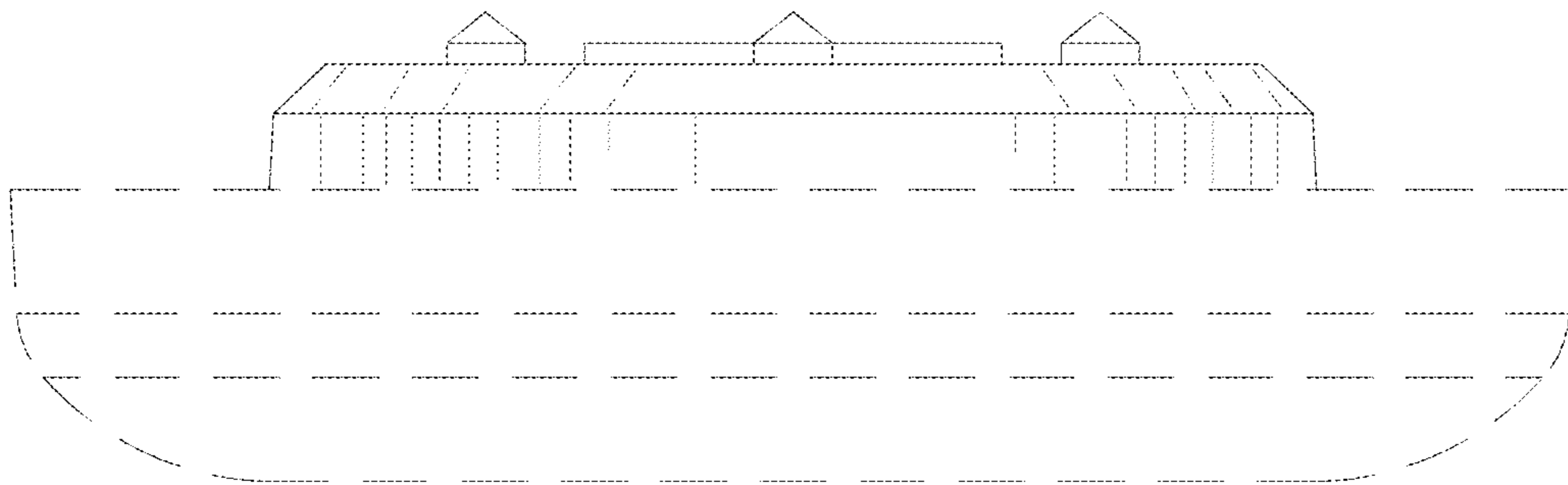


Fig.6

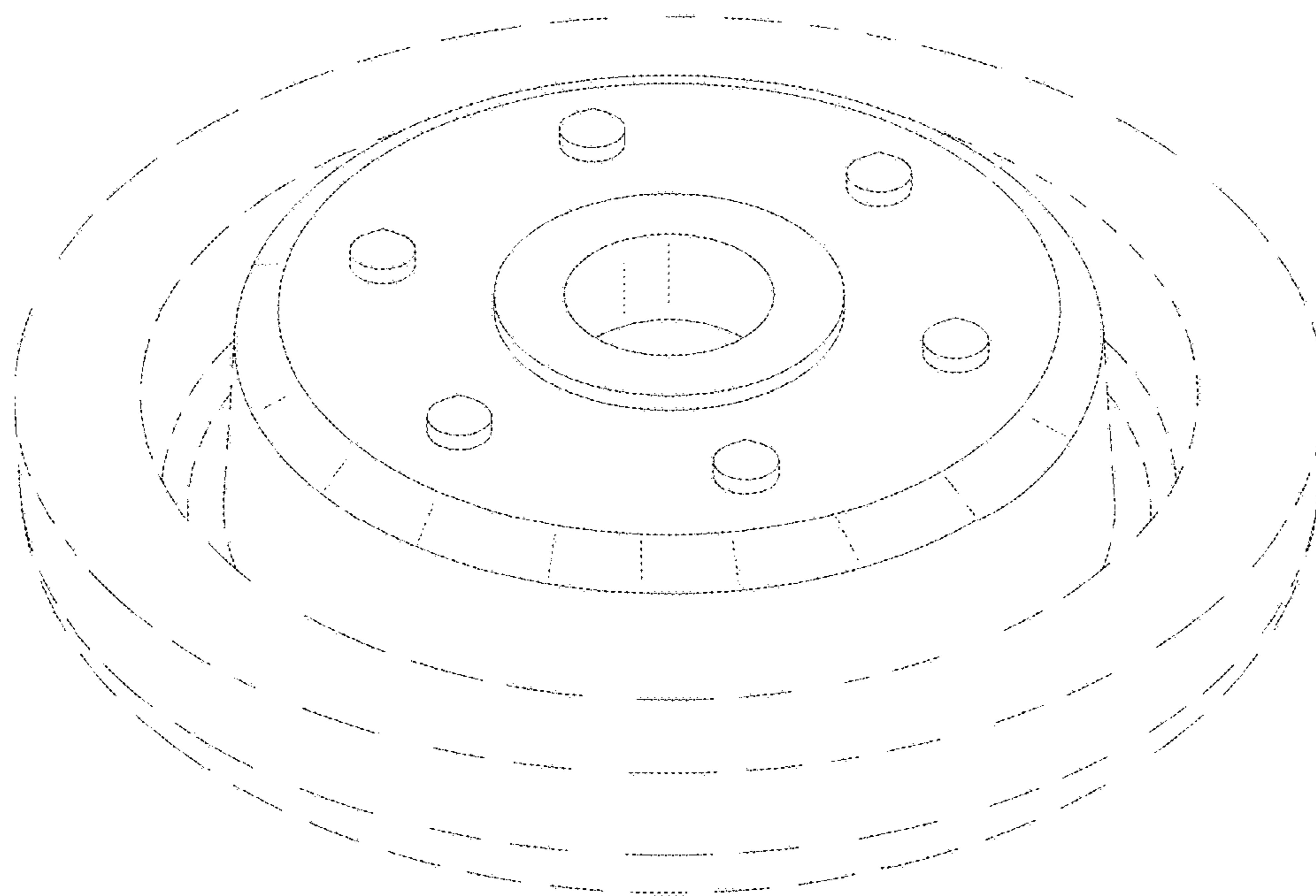


Fig.7

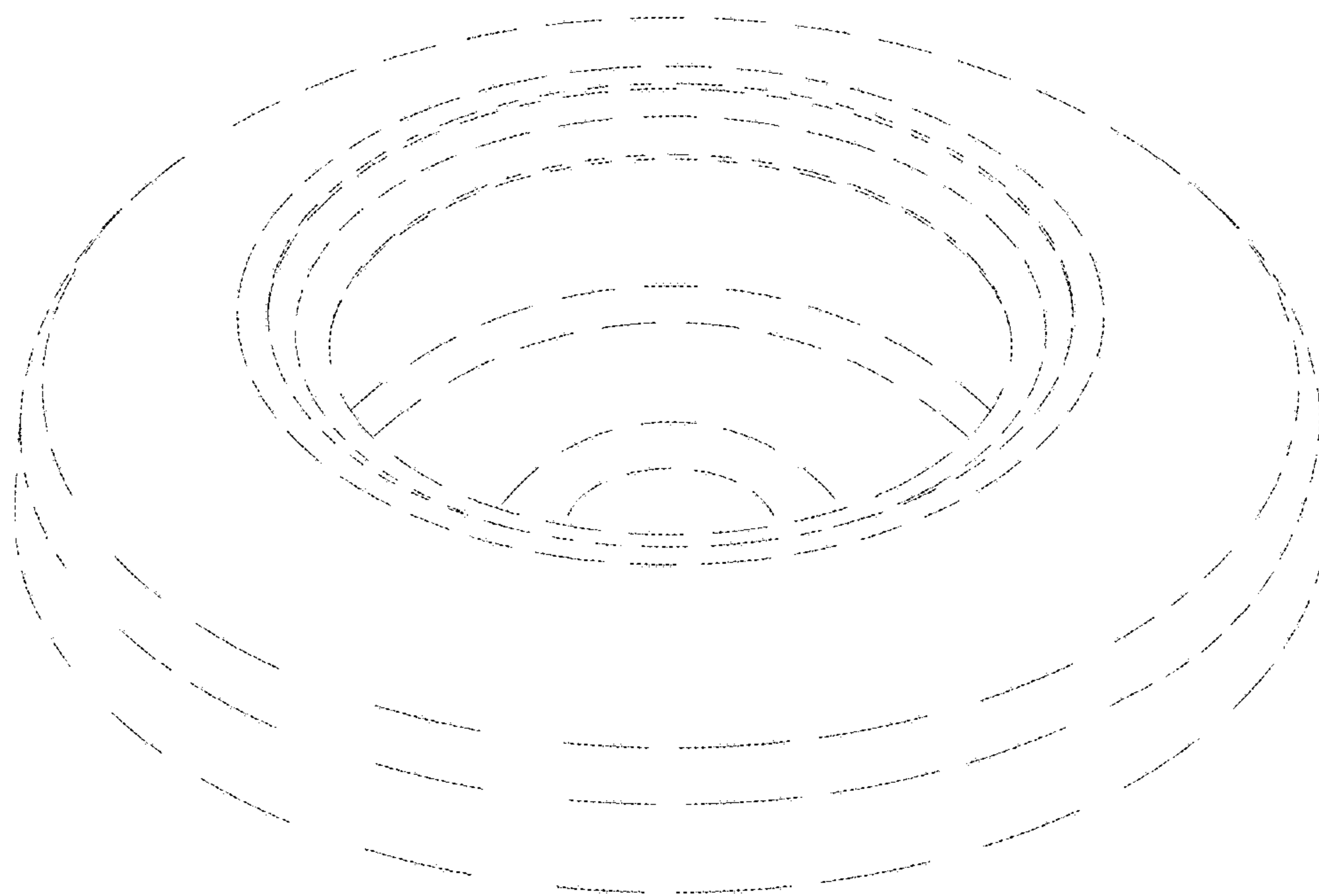


Fig.8

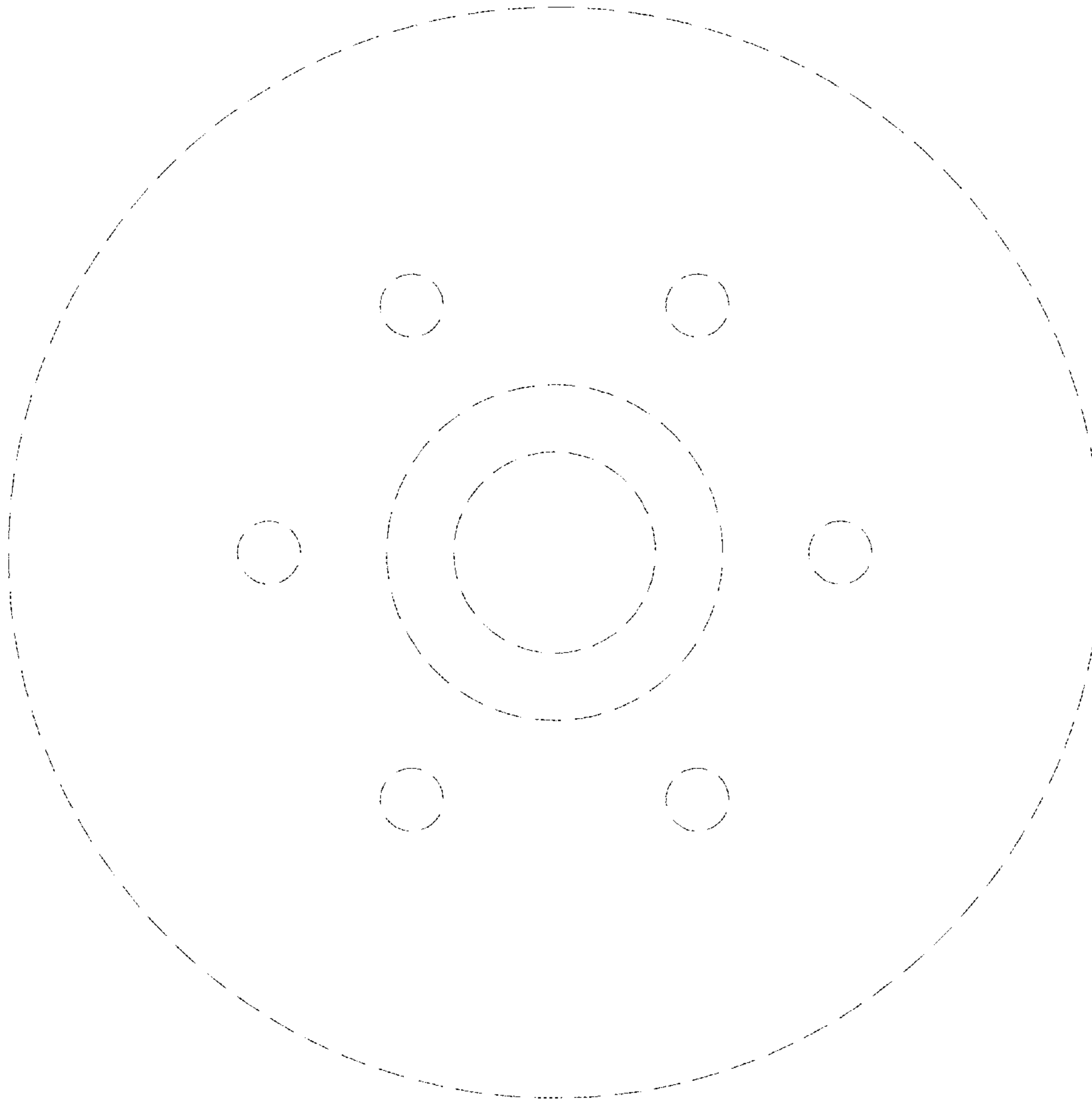


Fig.9

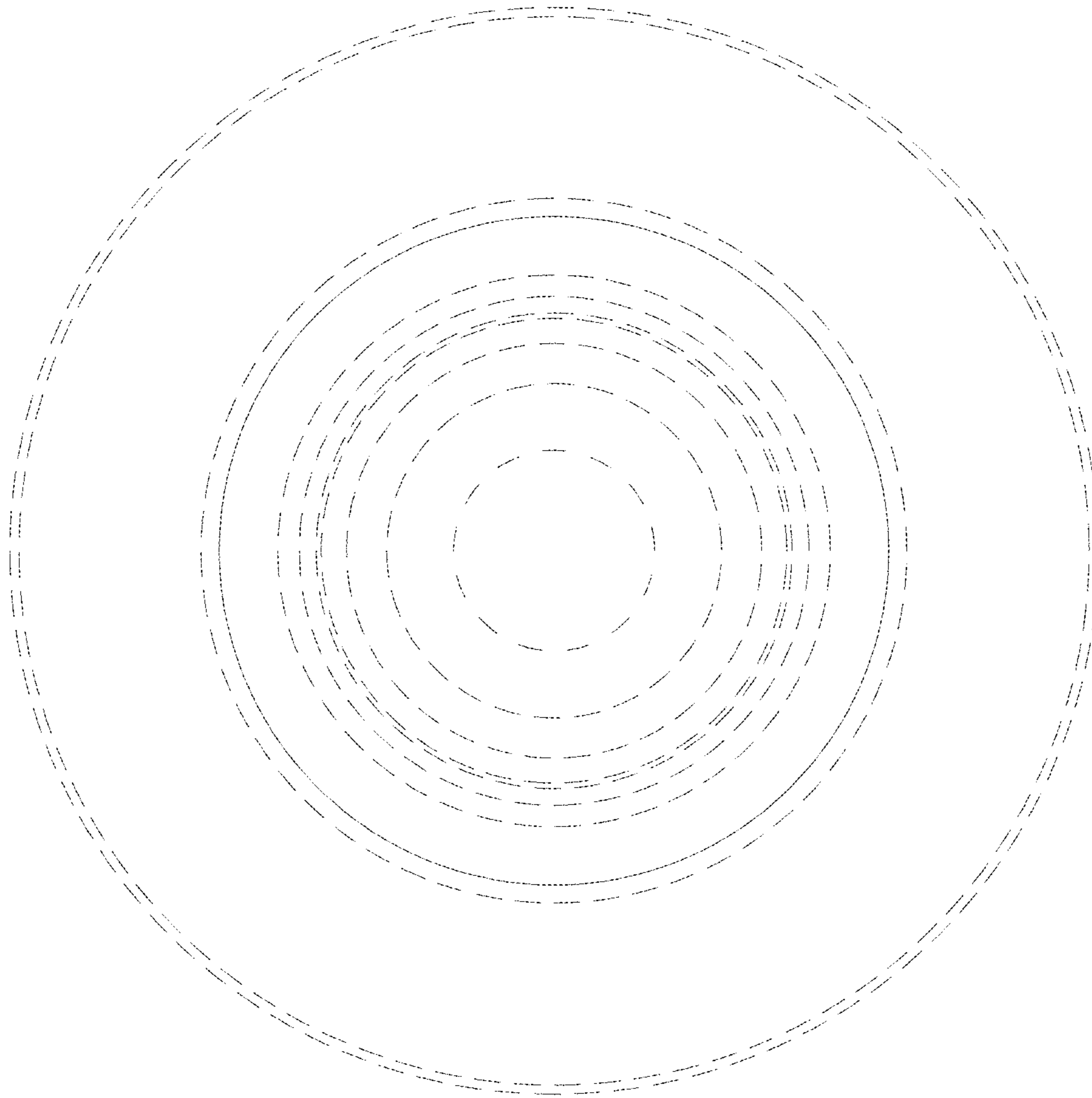


Fig.10

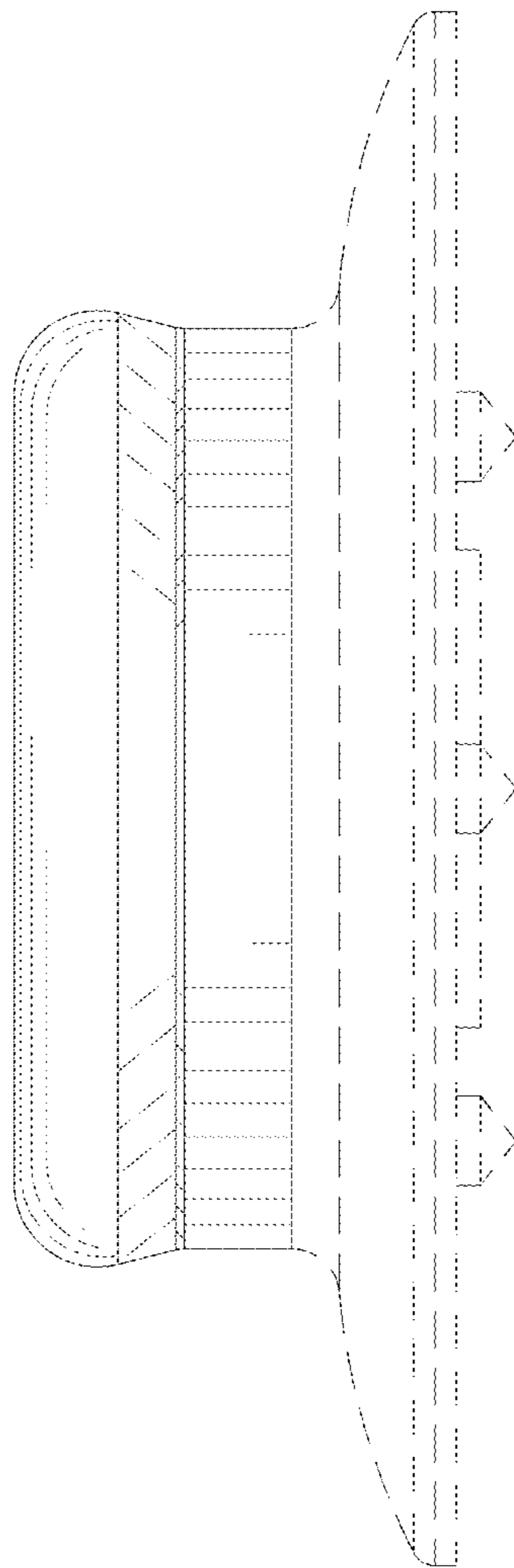


Fig. 11

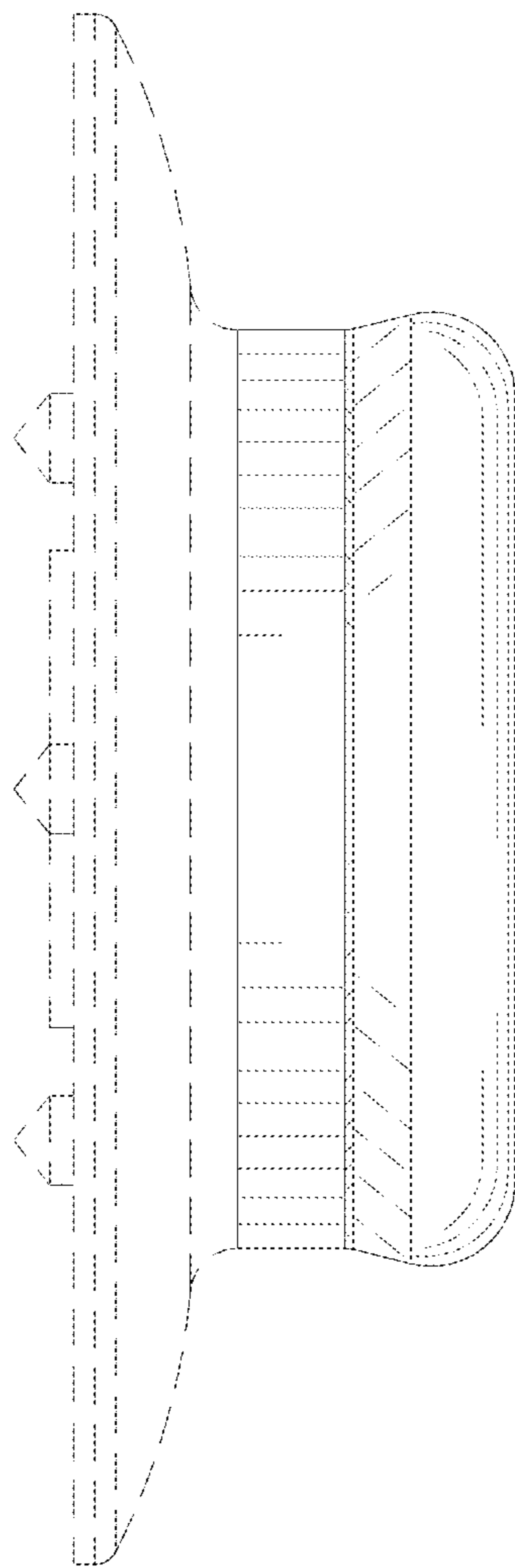


Fig.12

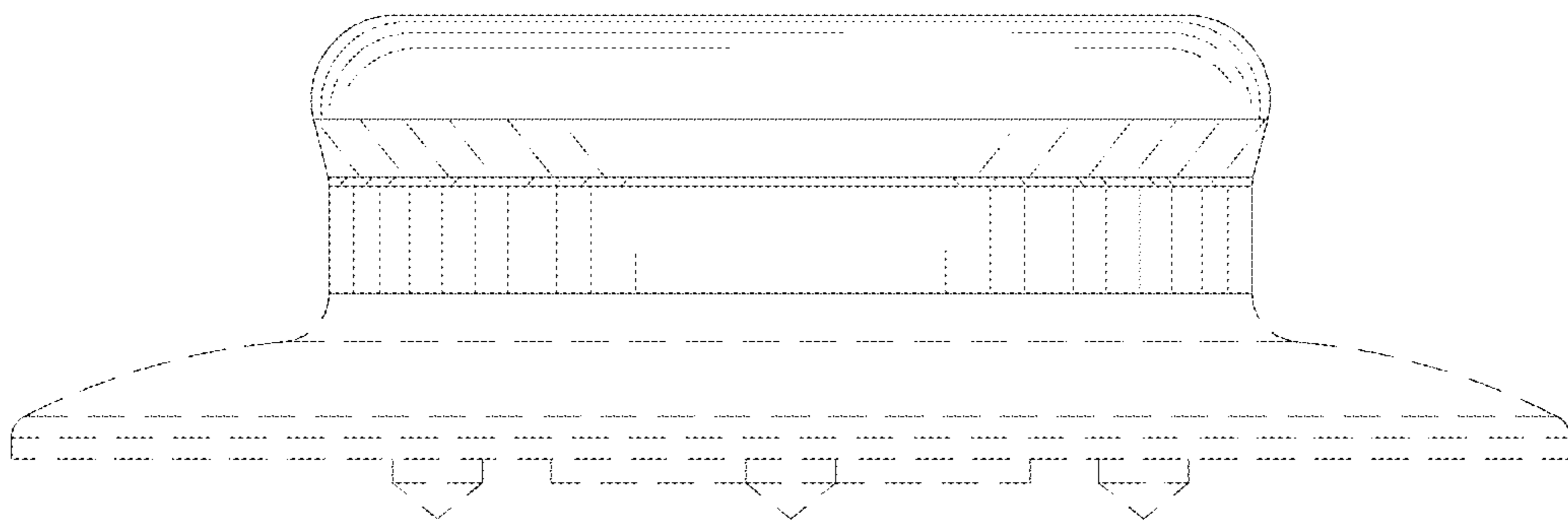


Fig.13

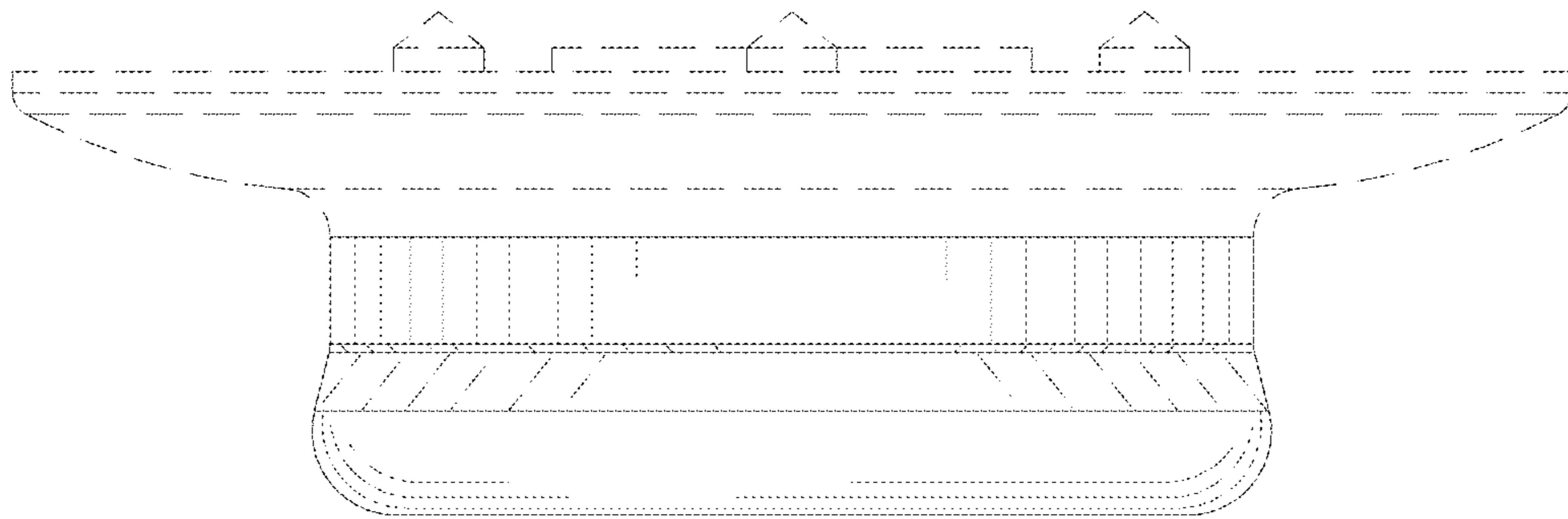


Fig.14

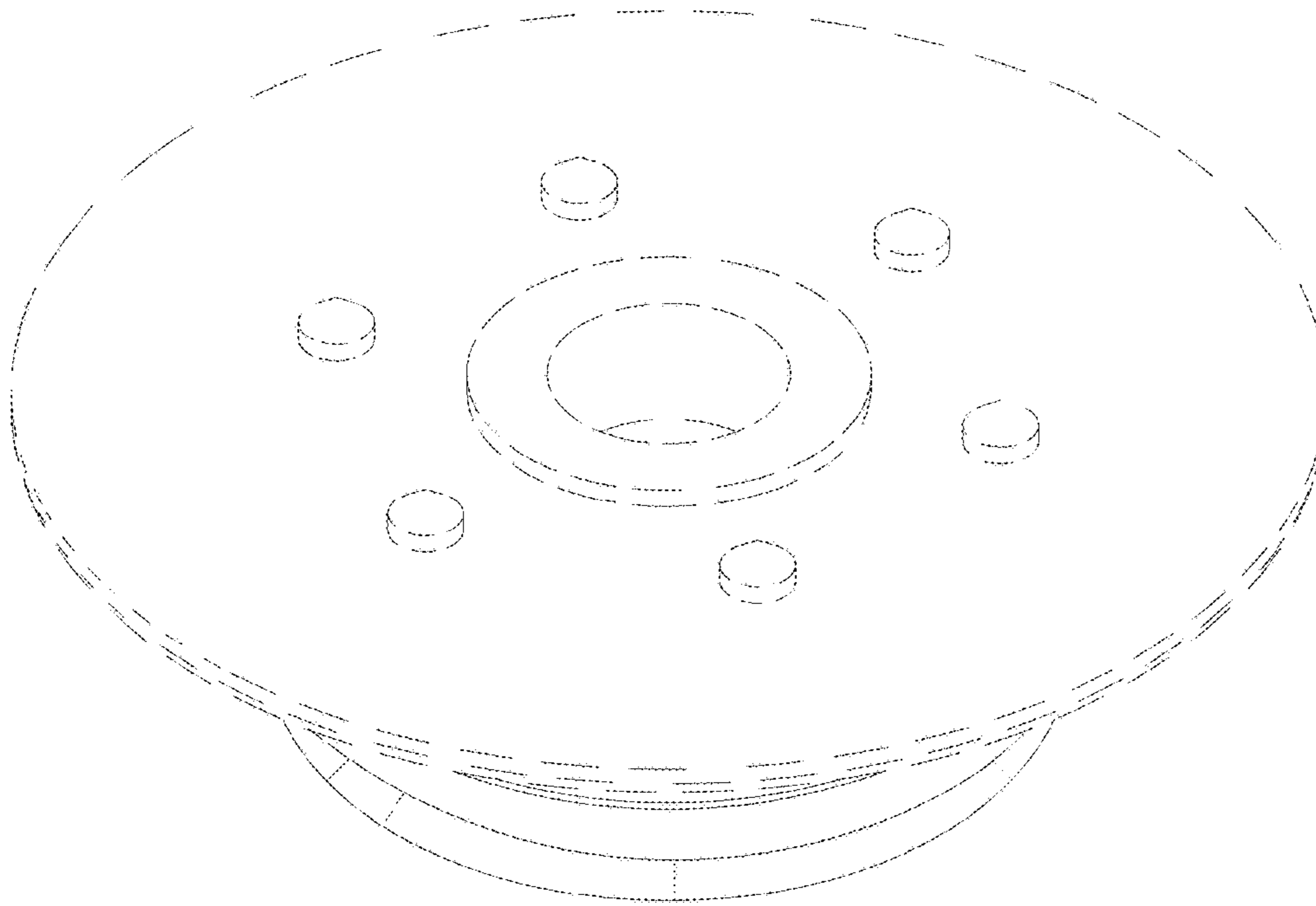


Fig.15

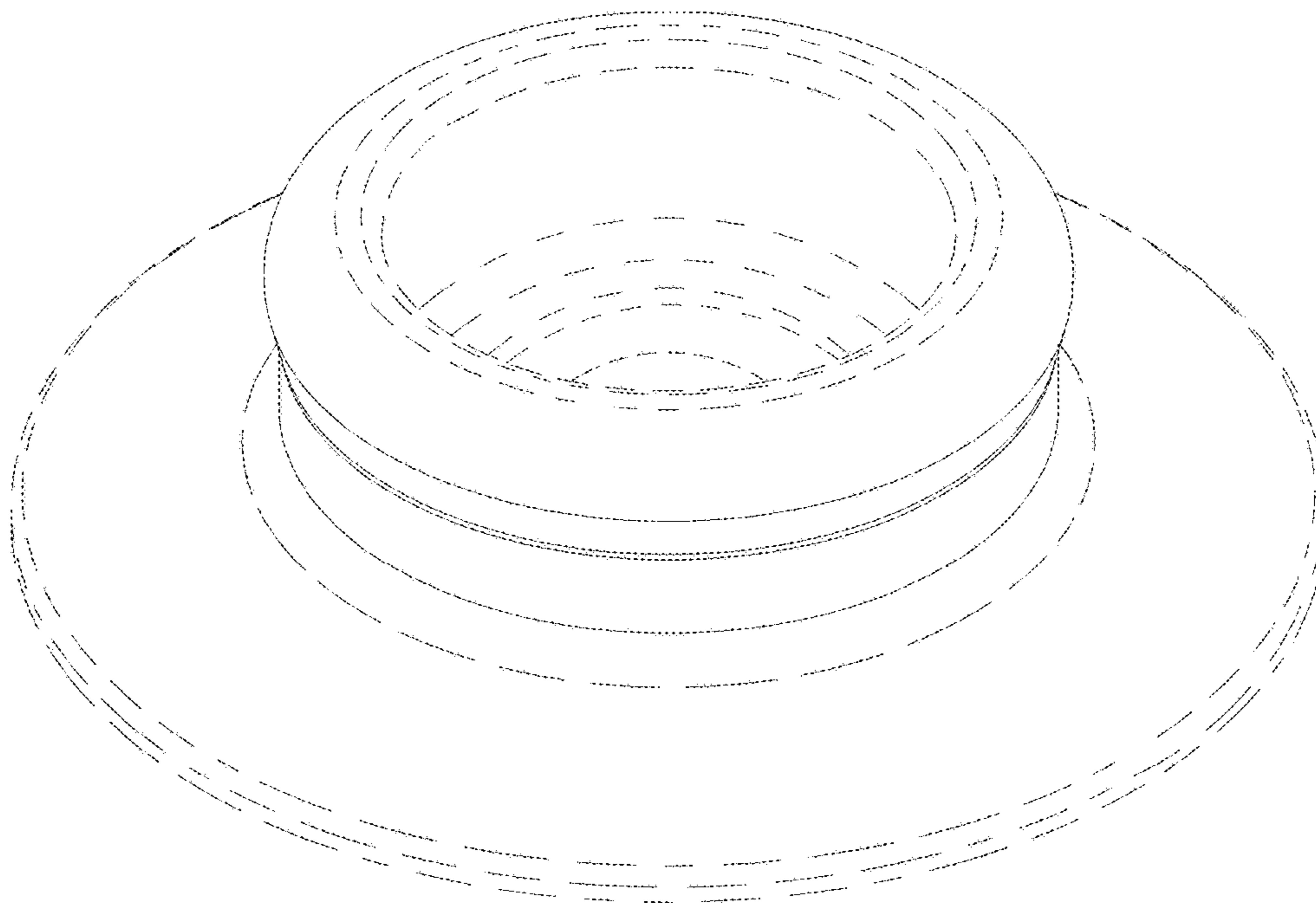


Fig.16

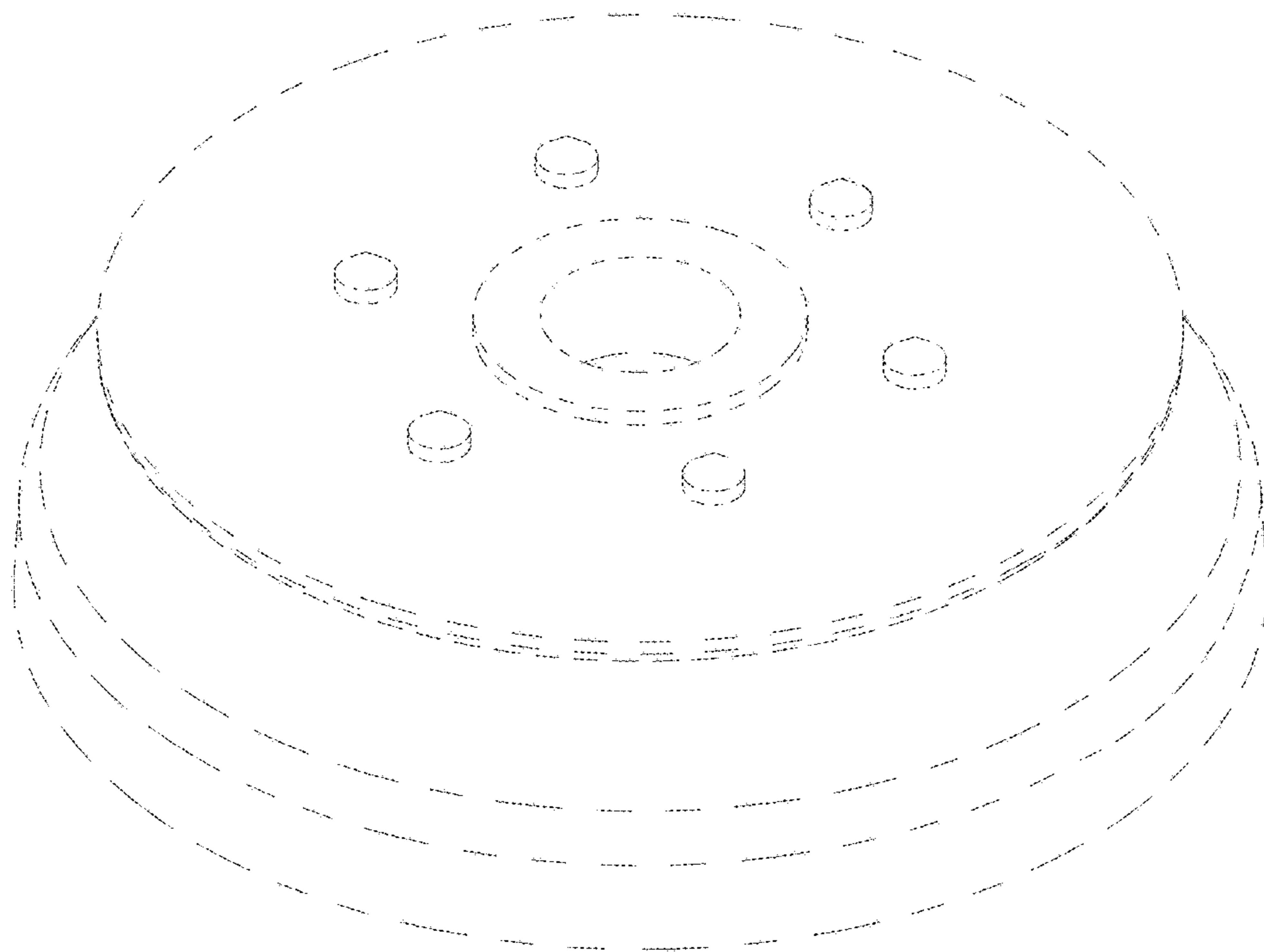


Fig.17

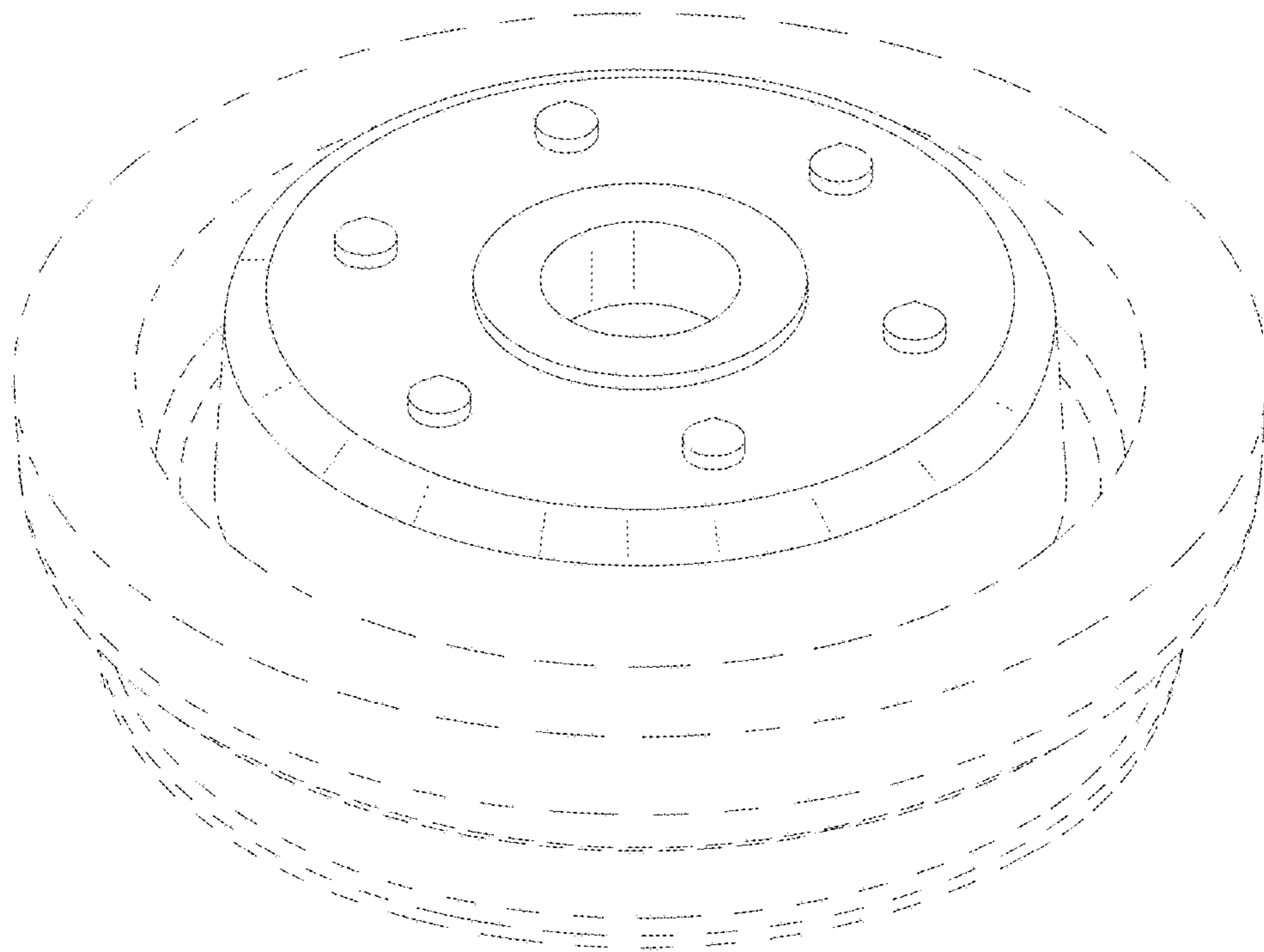


Fig.18