



US00D818392S

(12) **United States Design Patent**
Chang

(10) **Patent No.:** **US D818,392 S**

(45) **Date of Patent:** **** May 22, 2018**

(54) **BELT BUCKLE**

(71) Applicant: **Teng-Yao Chang**, Taichung (TW)

(72) Inventor: **Teng-Yao Chang**, Taichung (TW)

(**) Term: **15 Years**

(21) Appl. No.: **29/594,386**

(22) Filed: **Feb. 17, 2017**

(51) **LOC (11) Cl.** **02-07**

(52) **U.S. Cl.**

USPC **D11/218; D8/356**

(58) **Field of Classification Search**

USPC D11/200–219; 24/163 R, 169–171, 173,
24/177–179, 191, 194–195, 197, 200,
24/614–616, 625, 198, 630, 578.1, 163 K,
24/114; D8/16–20, 45, 105, 349, 363,
D8/366, 370–377, 380–382, 356, 358,
D8/359, 395, 578; D2/639; D3/24;
D15/16; 242/118.7, 542.4, 160.4, 366,
242/400, 370, 400.1; D10/61, 62;
33/414, 413

CPC A44B 11/26; A44B 11/25; A44B 11/06;
A45F 2200/0575; G01B 5/18; H02G
11/02; B65H 75/4476; B65H 2701/353;
B65H 75/241; B65H 75/28; E04G
21/1825

See application file for complete search history.

(56) **References Cited**

U.S. PATENT DOCUMENTS

- 2,293,562 A * 8/1942 Rosenthal A44B 11/04
24/200
- D141,553 S * 6/1945 John 182/209
- D281,483 S * 11/1985 Faidide D8/367
- D350,712 S * 9/1994 D'Ambrosio D11/218
- 5,432,985 A * 7/1995 Bernart A44B 11/04
24/200
- D444,685 S * 7/2001 Shenkel D3/208
- D445,723 S * 7/2001 Kim D11/218

- D511,122 S * 11/2005 Hurn D11/210
- D612,765 S * 3/2010 Fildan D11/200
- D623,030 S * 9/2010 Spater D8/16

(Continued)

FOREIGN PATENT DOCUMENTS

- DE 202012003897 * 8/2012 A62B 35/00

OTHER PUBLICATIONS

Nite Ize DoohicKey Key Tool, Amazon.com, [online], [site visited Nov. 8, 2017]. <URL: https://www.amazon.com/dp/B00FIX126K/ref=psdc_553990_t3_B00AMTRU98> (Year: 2017).*

(Continued)

Primary Examiner — T. Chase Nelson

Assistant Examiner — Jonathan J. Han

(74) *Attorney, Agent, or Firm* — Lynette Wylie; Apex Juris, pllc

(57) **CLAIM**

The ornamental design for a belt buckle, as shown and described.

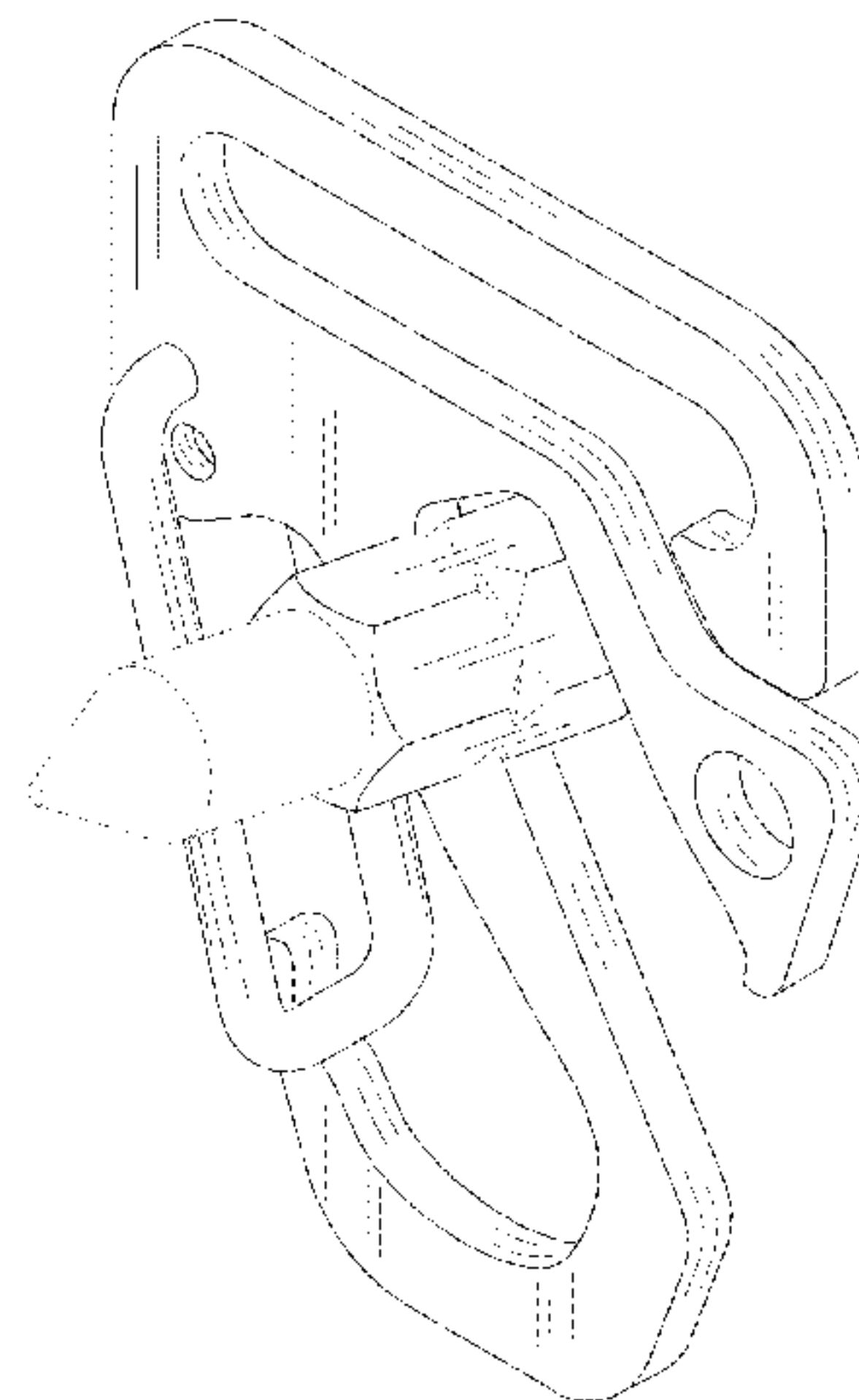
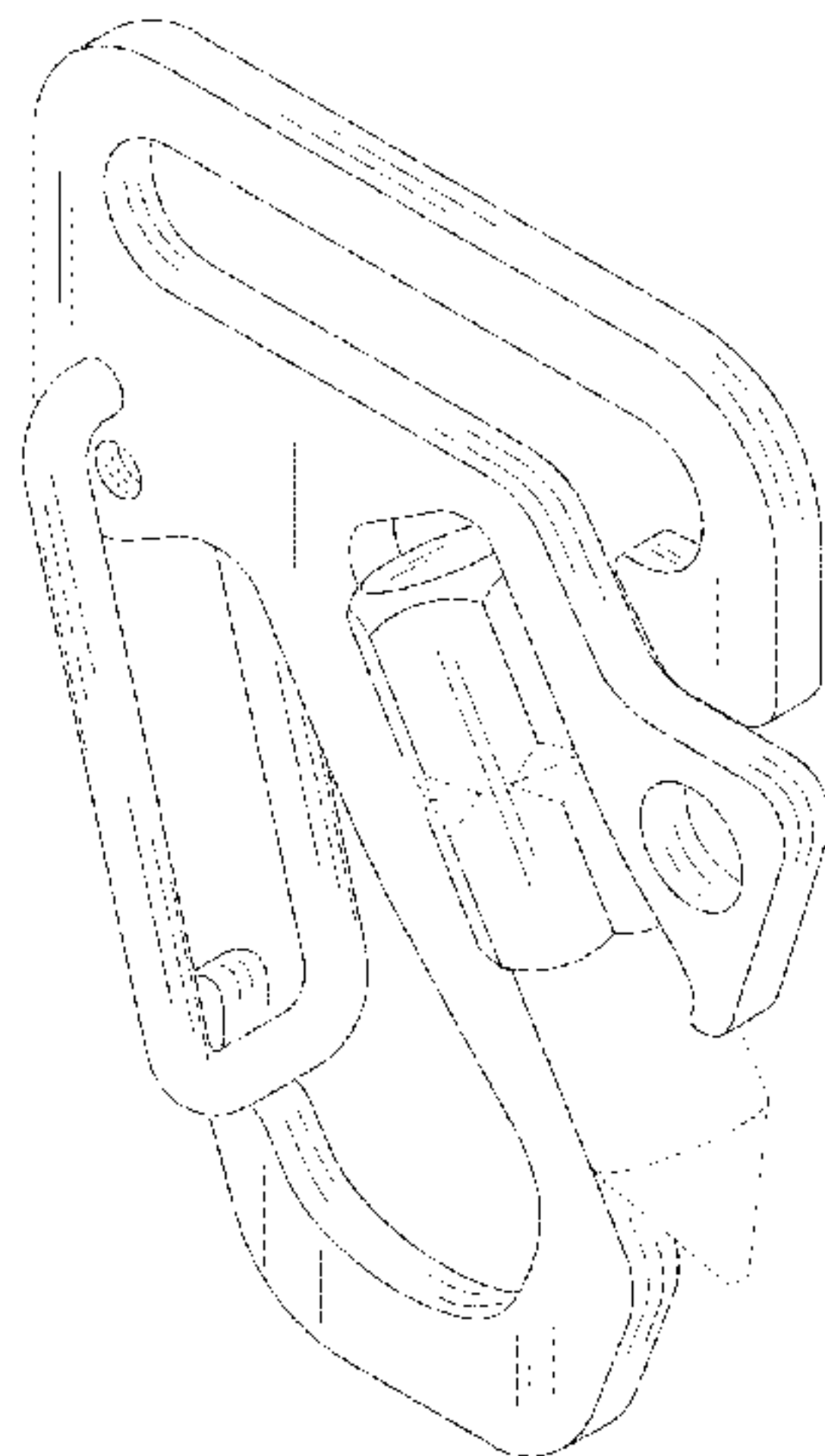
DESCRIPTION

FIG. 1 is a perspective view of the belt buckle;
 FIG. 2 is a front view of the belt buckle;
 FIG. 3 is a rear view of the belt buckle;
 FIG. 4 is a left side view of the belt buckle;
 FIG. 5 is a right side view of the belt buckle;
 FIG. 6 is a top view of the belt buckle;
 FIG. 7 is a bottom view of the belt buckle; and,
 FIG. 8 is a perspective view, showing an example that the belt buckle is engaged with a head of a screwdriver.

The shading lines within the outer periphery lines of the illustrated belt buckle designate its surface area only and no further embellishment or design element.

The broken lines depict portions of the belt buckle and the head of the screwdriver are environment and form no part of the claimed design.

1 Claim, 7 Drawing Sheets



(56)

References Cited

U.S. PATENT DOCUMENTS

D625,988 S * 10/2010 Chan D8/367
 D636,291 S * 4/2011 Krauss D11/218
 D666,525 S * 9/2012 Anderson D11/210
 D666,526 S * 9/2012 Iannello D11/210
 D666,942 S * 9/2012 Iannello D11/210
 D704,594 S * 5/2014 Cherin D11/210
 D729,513 S * 5/2015 Jiang D3/207
 D733,516 S * 7/2015 Kelleghan D8/105
 D739,713 S * 9/2015 Kelleghan D8/356
 D746,662 S * 1/2016 Kelleghan D8/356
 D747,947 S * 1/2016 Ma D8/105
 D758,824 S * 6/2016 Kelleghan D8/105
 9,380,838 B2 * 7/2016 Iannello A45F 5/00
 D765,493 S * 9/2016 Spater D8/356
 D765,495 S * 9/2016 Schmid D8/356
 D770,250 S * 11/2016 Fischer D8/17
 D772,029 S * 11/2016 Spater D8/18
 D801,139 S * 10/2017 Cheng D8/19
 D801,599 S * 10/2017 Macca D30/199

2005/0066484 A1* 3/2005 Hurn A44B 11/04
 24/321
 2014/0059782 A1* 3/2014 Duncan B25F 1/00
 7/138
 2016/0341239 A1* 11/2016 Inkavesvaanit F16B 45/02

OTHER PUBLICATIONS

Munkees Stainless Steel Carabiner Multi-Tool 2503, BladeHQ.com, [online], [site visited Nov. 8, 2017]. <URL: <https://www.bladehq.com/item--Munkees-Stainless-Steel-Carabiner--34893>> (Year: 2017).*

Carabiner Multi-Tool, KeyBak.com, [online], [site visited Nov. 8, 2017]. <URL: <https://www.keybak.com/products/carabiner-tool>> (Year: 2017).*

Carabiner Multitool Keychain by ThorKey, Amazon.com, [online], [site visited Nov. 8, 2017]. <URL: <https://www.amazon.com/Carabiner-Multitool-Keychain-ThorKey-Universal/dp/B072Q93W6L>> (Year: 2017).*

* cited by examiner

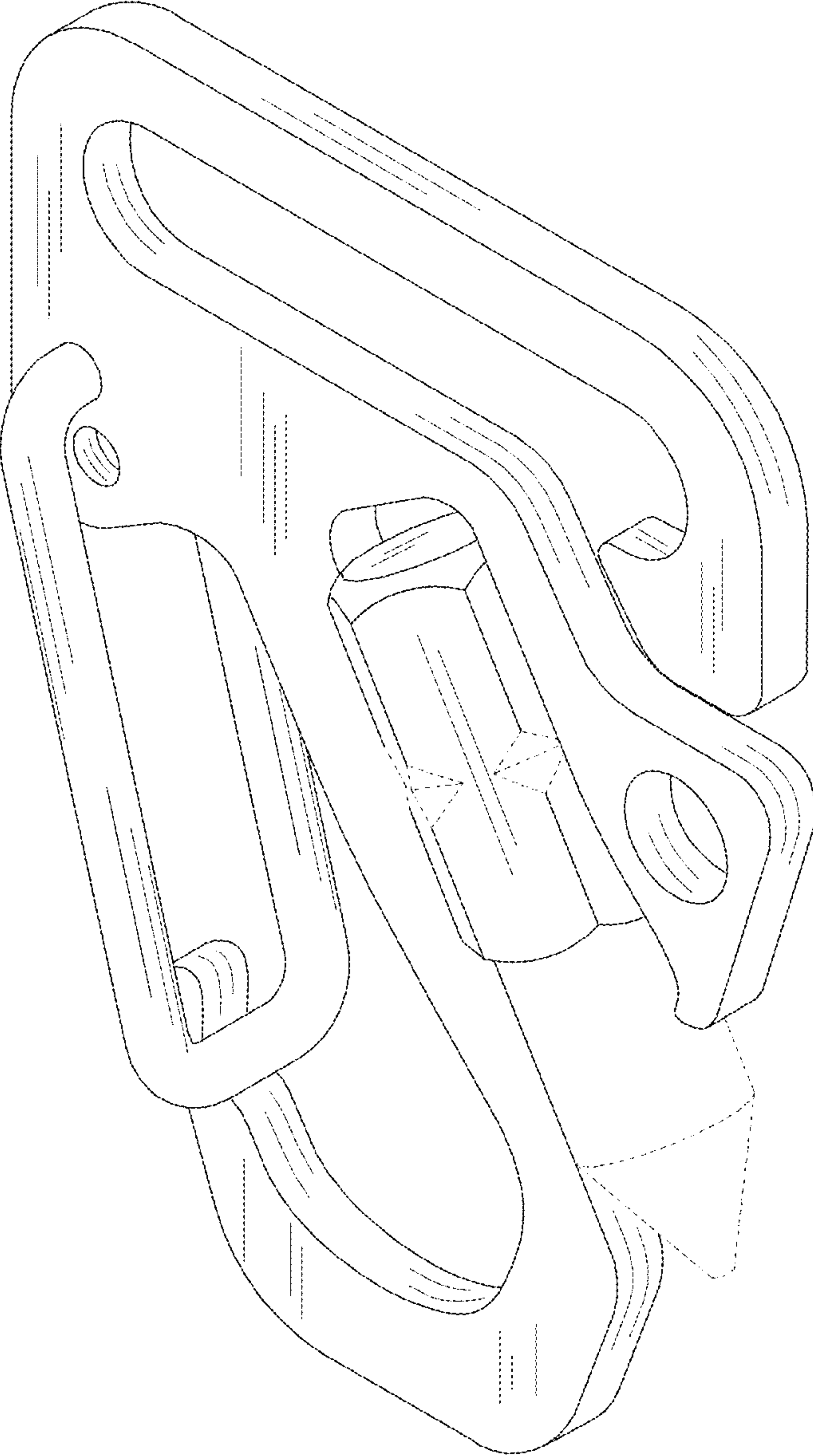


FIG.1

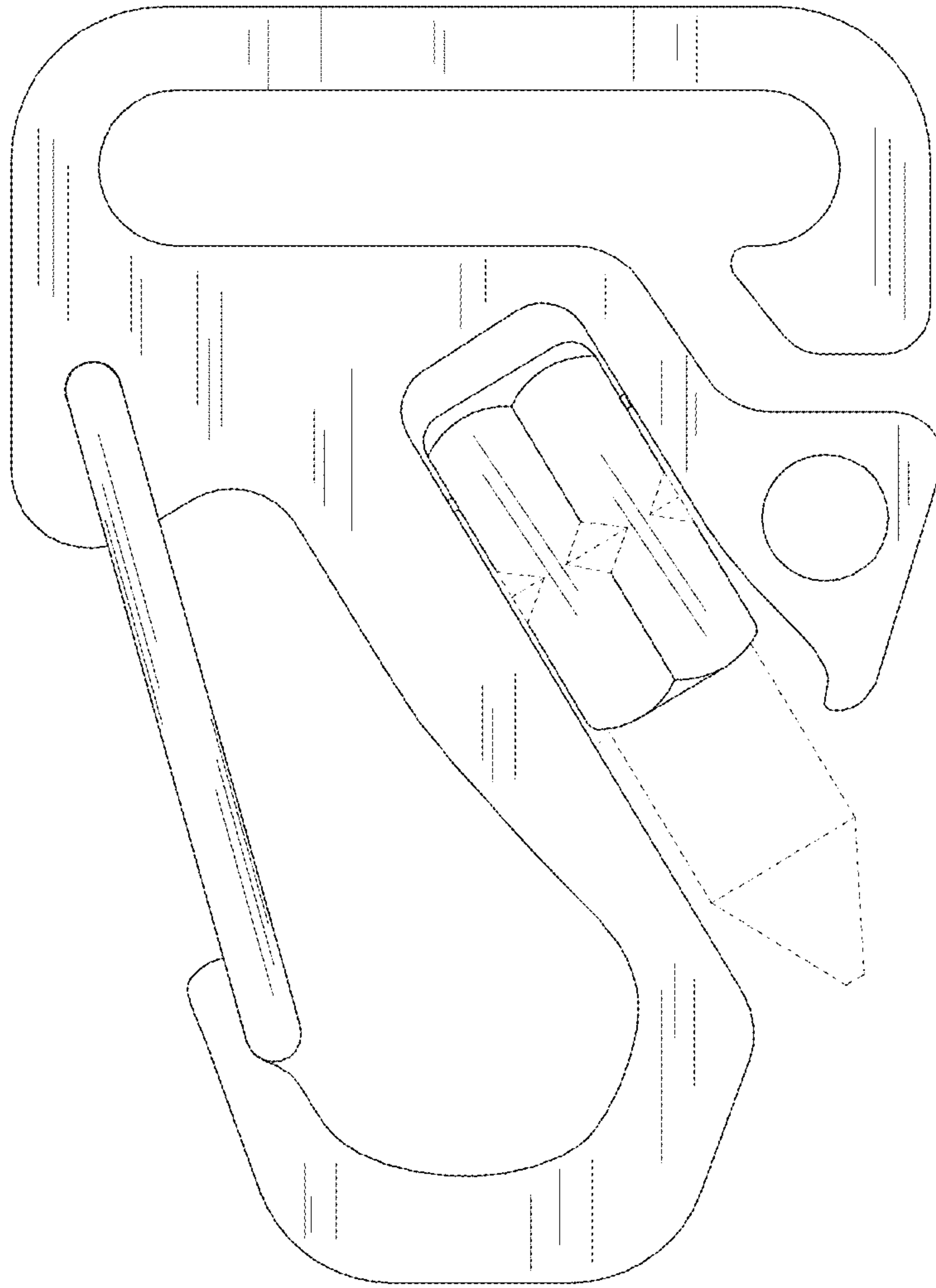


FIG. 2

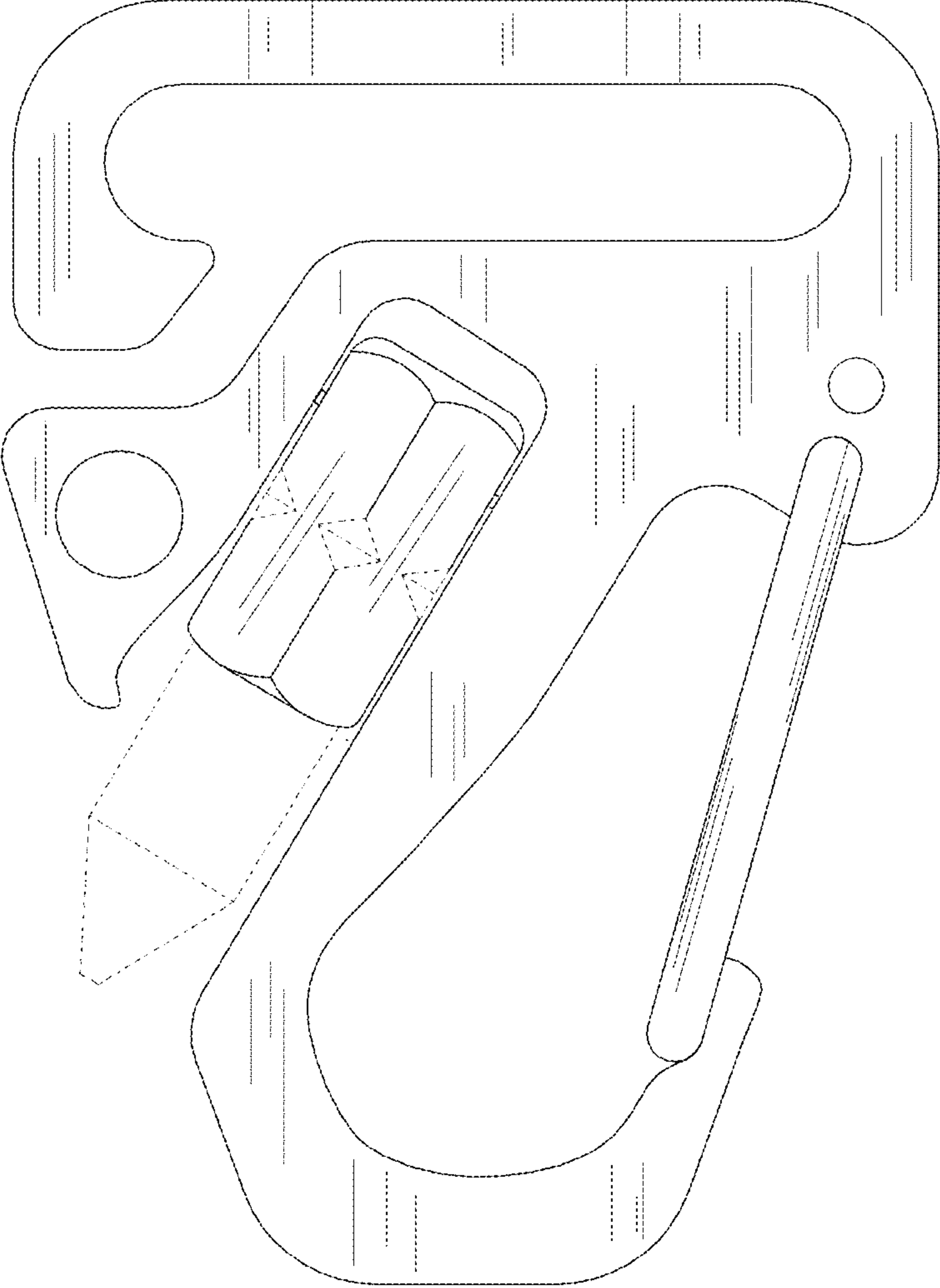


FIG. 3

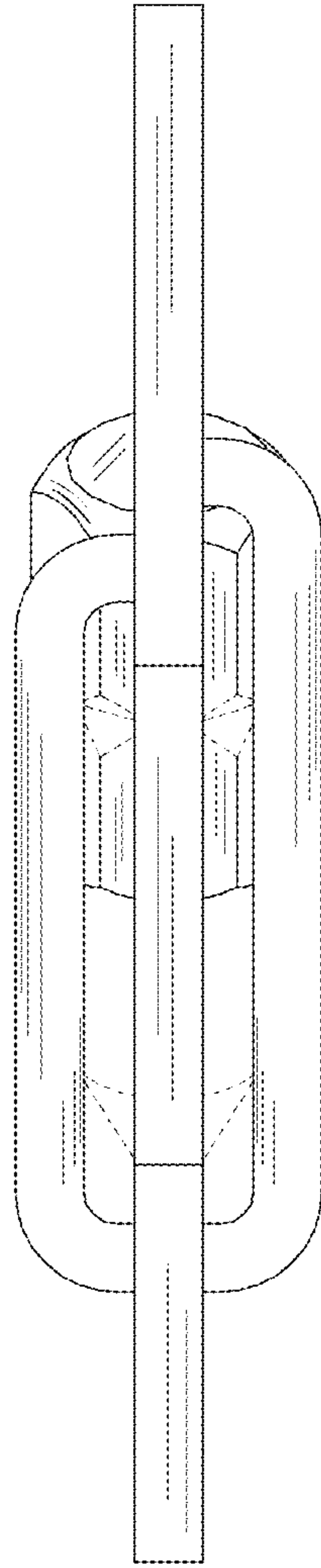


FIG. 4

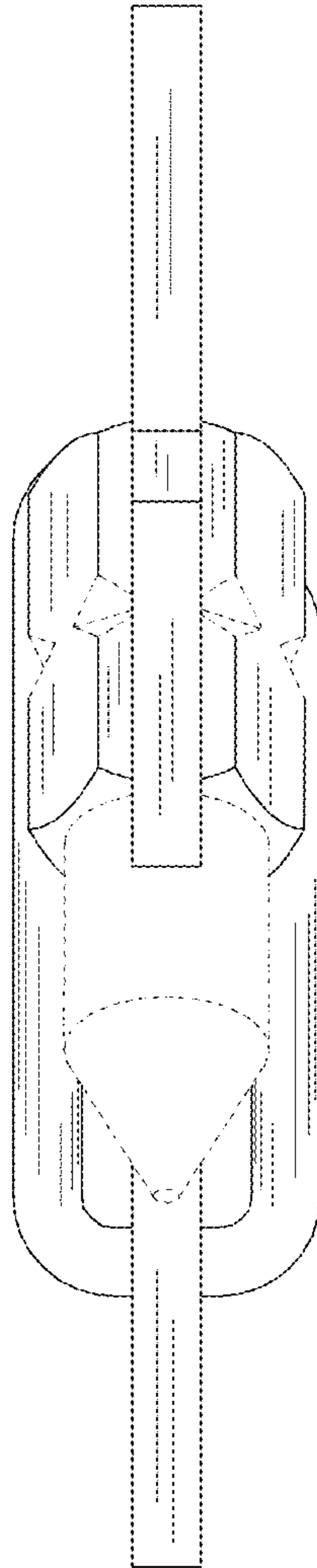


FIG. 5

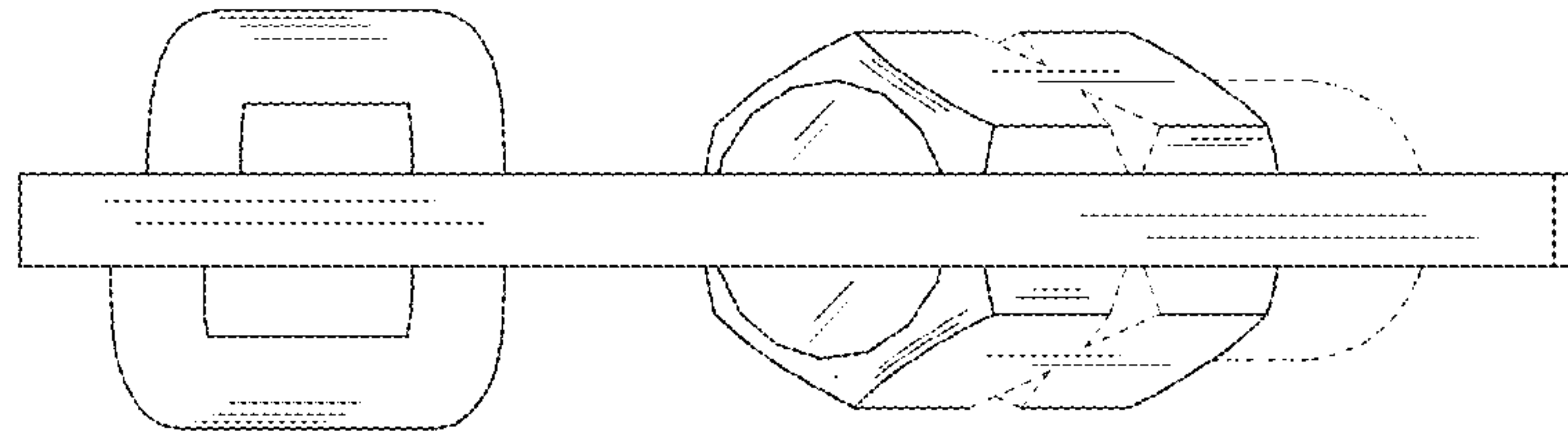


FIG. 6

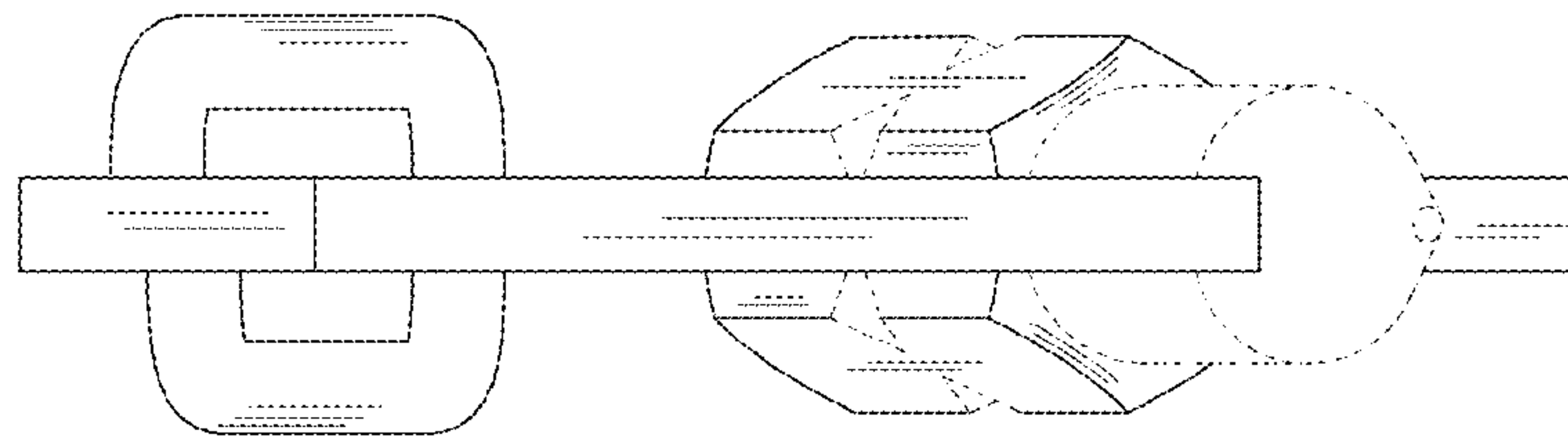


FIG. 7

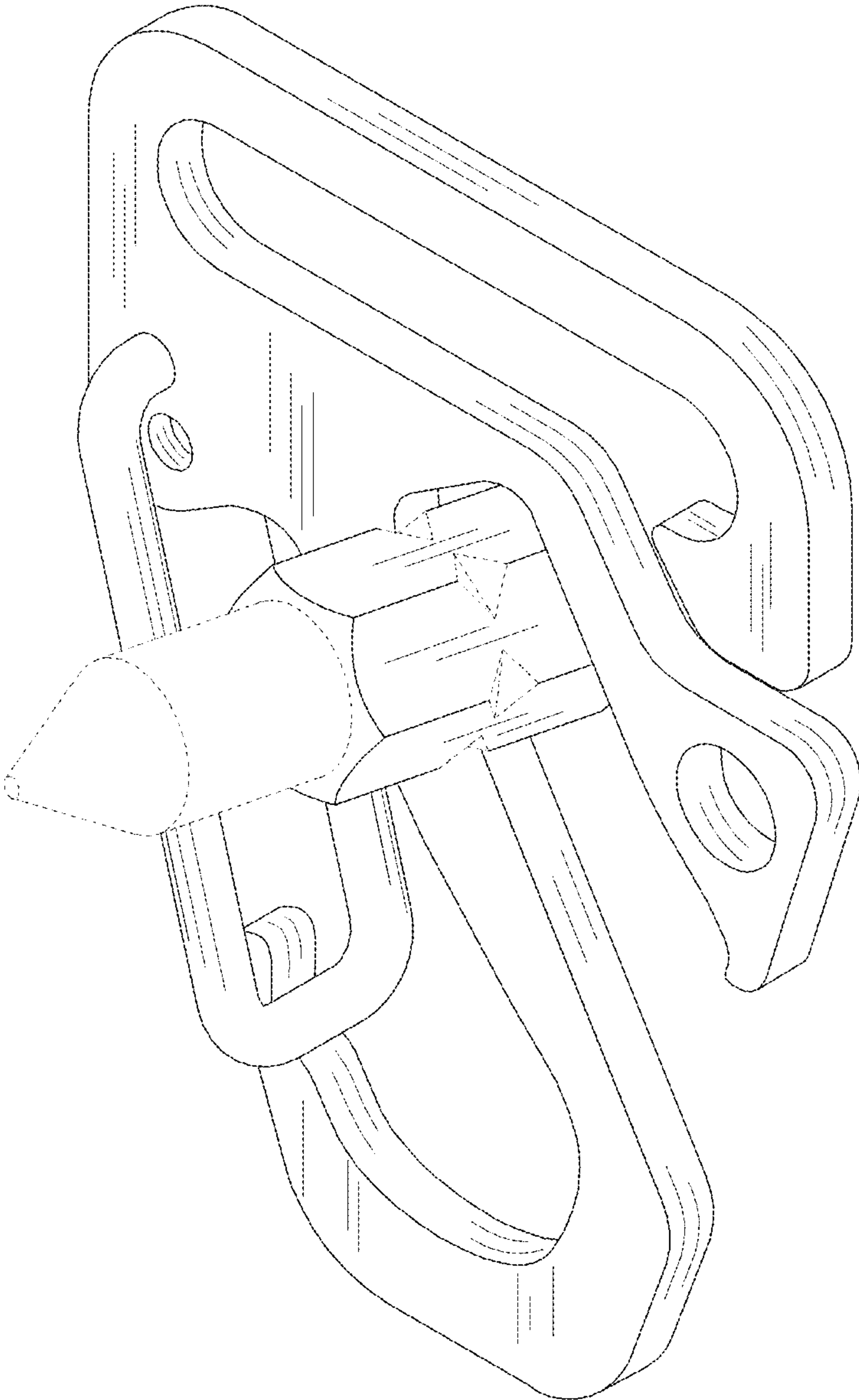


FIG. 8