



US00D818391S

(12) **United States Design Patent** (10) **Patent No.:** **US D818,391 S**
Chang (45) **Date of Patent:** **** May 22, 2018**

(54) **BELT BUCKLE**
(71) Applicant: **Teng-Yao Chang**, Taichung (TW)
(72) Inventor: **Teng-Yao Chang**, Taichung (TW)
(**) Term: **15 Years**

D511,122 S * 11/2005 Hurn D11/210
D612,765 S * 3/2010 Fildan D11/200
D623,030 S * 9/2010 Spater D8/16
D625,988 S * 10/2010 Chan D8/367
D636,291 S * 4/2011 Krauss D11/218
D666,525 S * 9/2012 Anderson D11/210
D666,526 S * 9/2012 Iannello D11/210
D666,942 S * 9/2012 Iannello D11/210

(Continued)

(21) Appl. No.: **29/594,375**
(22) Filed: **Feb. 17, 2017**
(51) **LOC (11) Cl.** **02-07**
(52) **U.S. Cl.**
USPC **D11/208; D8/356**

FOREIGN PATENT DOCUMENTS

DE 202012003897 * 8/2012 A62B 35/00

(58) **Field of Classification Search**
USPC D11/200–219; 24/163 R, 169–171, 173,
24/177–179, 191, 194–195, 197, 200,
24/614–616, 625, 198, 630, 578.1, 163 K,
24/114; D8/16–20, 45, 105, 349, 363,
D8/366, 370–377, 380–382, 356, 358,
D8/359, 395, 578; D2/639; D3/24;
D15/16; 242/118.7, 542.4, 160.4, 366,
242/400, 370, 400.1; D10/61, 62;
33/414, 413
CPC A44B 11/26; A44B 11/25; A44B 11/06;
A45F 2200/0575; G01B 5/18; H02G
11/02; B65H 75/4476; B65H 2701/353;
B65H 75/241; B65H 75/28; E04G
21/1825

OTHER PUBLICATIONS

Nite Ize DoohicKey Key Tool, Amazon.com, [online], [site visited
Nov. 8, 2017]. <URL: https://www.amazon.com/dp/B00FIX126K/ref=psdc_553990_t3_B00AMTRU98> (Year: 2017).*

(Continued)

Primary Examiner — T. Chase Nelson
Assistant Examiner — Jonathan J. Han
(74) *Attorney, Agent, or Firm* — Lynette Wylie; Apex
Juris, pllc.

See application file for complete search history.

(57) **CLAIM**

The ornamental design for a belt buckle, as shown and
described.

DESCRIPTION

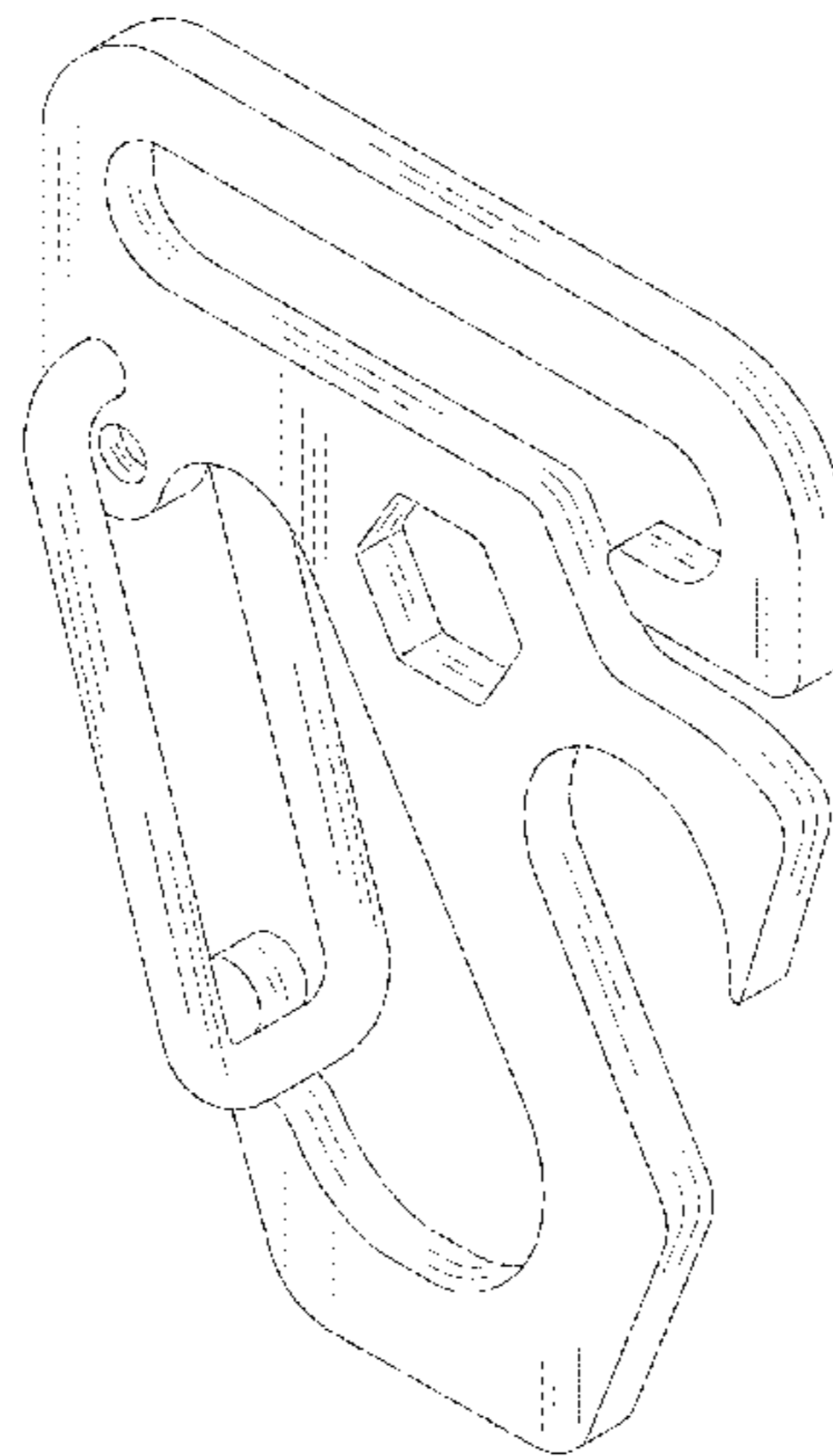
(56) **References Cited**

U.S. PATENT DOCUMENTS

2,293,562 A * 8/1942 Rosenthal A44B 11/04
24/200
D141,553 S * 6/1945 John 182/209
D281,483 S * 11/1985 Faidide D8/367
D350,712 S * 9/1994 D'Ambrosio D11/218
5,432,985 A * 7/1995 Bernart A44B 11/04
24/200
D444,685 S * 7/2001 Shenkel D3/208
D445,723 S * 7/2001 Kim D11/218

FIG. 1 is a perspective view of the belt buckle;
FIG. 2 is a front view of the belt buckle;
FIG. 3 is a rear view of the belt buckle;
FIG. 4 is a left side view of the belt buckle;
FIG. 5 is a right side view of the belt buckle;
FIG. 6 is a top view of the belt buckle; and,
FIG. 7 is a bottom view of the belt buckle.
The shading lines within the outer periphery lines of the
illustrated belt buckle designate its surface area only and no
further embellishment or design element.

1 Claim, 6 Drawing Sheets



(56)

References Cited

U.S. PATENT DOCUMENTS

D704,594 S * 5/2014 Cherin D11/210
 D726,517 S * 4/2015 Fischer D8/17
 D729,513 S * 5/2015 Jiang D3/207
 D733,516 S * 7/2015 Kelleghan D8/105
 D739,713 S * 9/2015 Kelleghan D8/356
 D746,662 S * 1/2016 Kelleghan D8/356
 D747,947 S * 1/2016 Ma D8/105
 D758,824 S * 6/2016 Kelleghan D8/105
 9,380,838 B2 * 7/2016 Iannello A45F 5/00
 D765,493 S * 9/2016 Spater D8/356
 D765,495 S * 9/2016 Schmid D8/356
 D770,250 S * 11/2016 Fischer D8/17
 D772,029 S * 11/2016 Spater D8/18
 D801,139 S * 10/2017 Cheng D8/19
 D801,599 S * 10/2017 Macca D30/199

2005/0066484 A1* 3/2005 Hurn A44B 11/04
 24/31
 2014/0059782 A1* 3/2014 Duncan B25F 1/00
 2016/0341239 A1* 11/2016 Inkavesvaanit F16B 45/02

OTHER PUBLICATIONS

Munkees Stainless Steel Carabiner Multi-Tool 2503, BladeHQ.com, [online], [site visited Nov. 8, 2017]. <URL: <https://www.bladehq.com/item--Munkees-Stainless-Steel-Carabiner--34893>> (Year: 2017).*

Carabiner Multi-Tool, KeyBak.com, [online], [site visited Nov. 8, 2017]. <URL: <https://www.keybak.com/products/carabiner-tool>> (Year: 2017).*

Carabiner Multitool Keychain by ThorKey, Amazon.com, [online], [site visited Nov. 8, 2017]. <URL: <https://www.amazon.com/Carabiner-Multitool-Keychain-ThorKey-Universal/dp/B072Q93WBL>> (Year: 2017).*

* cited by examiner

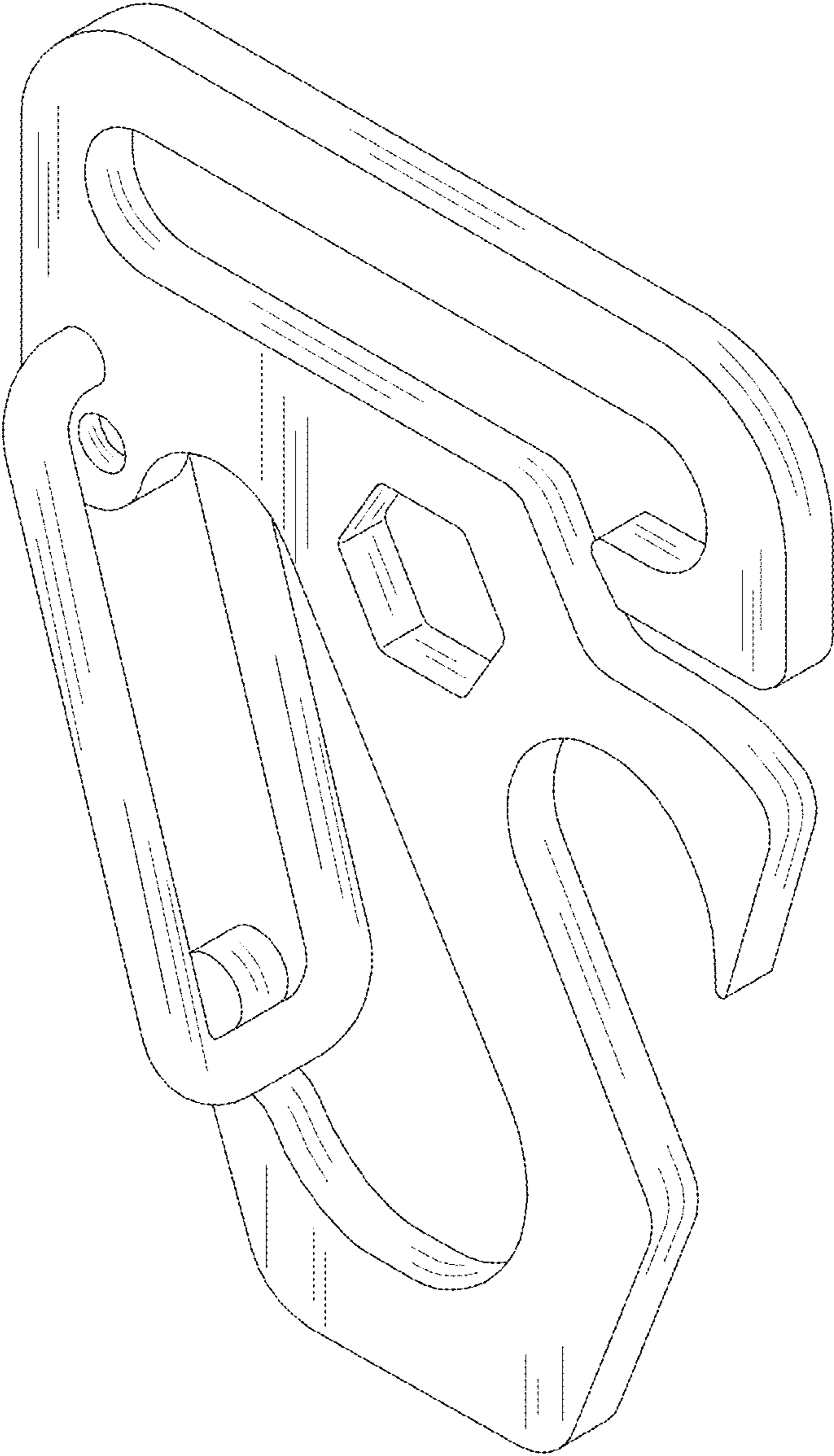


FIG.1

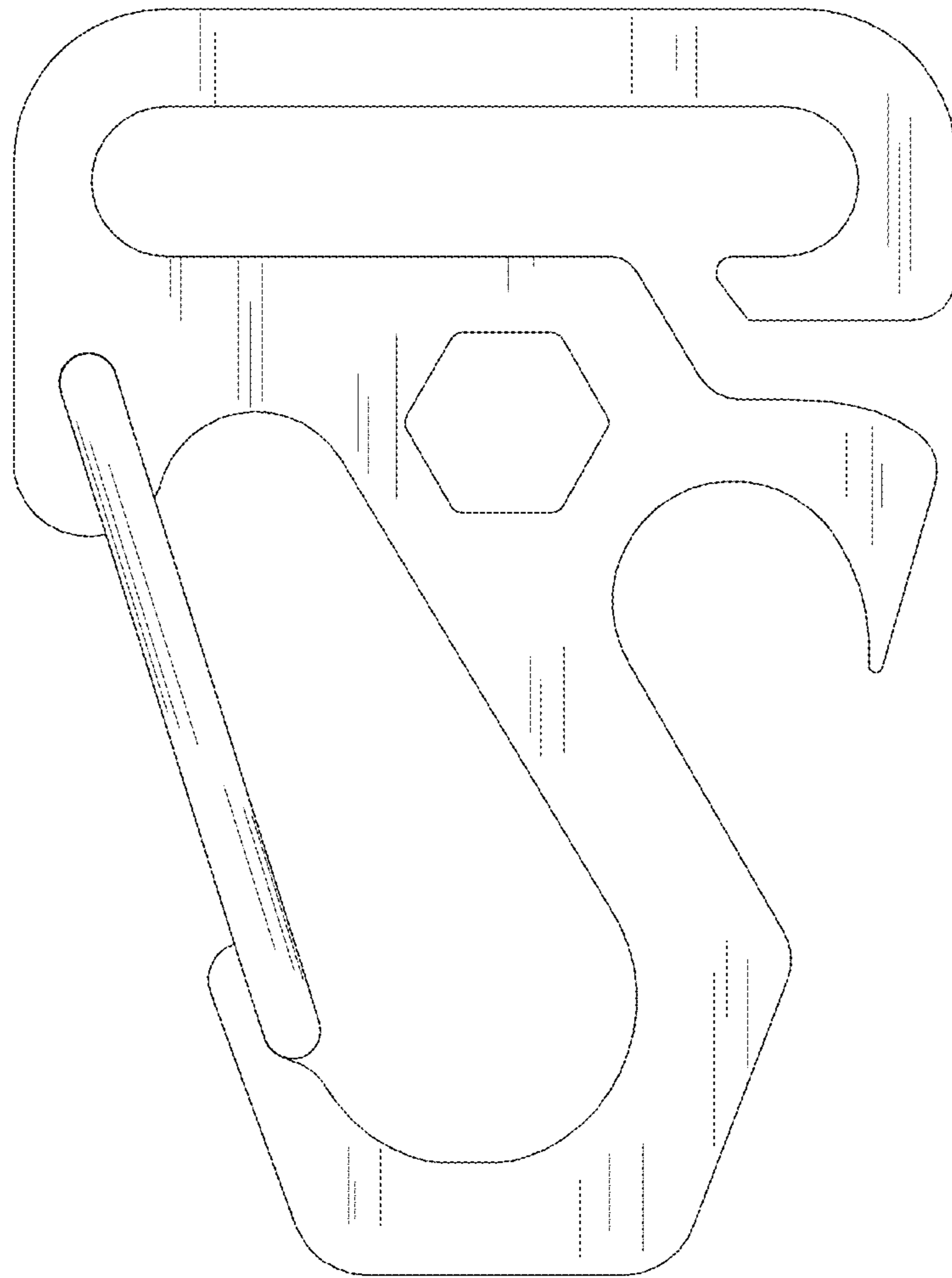


FIG. 2

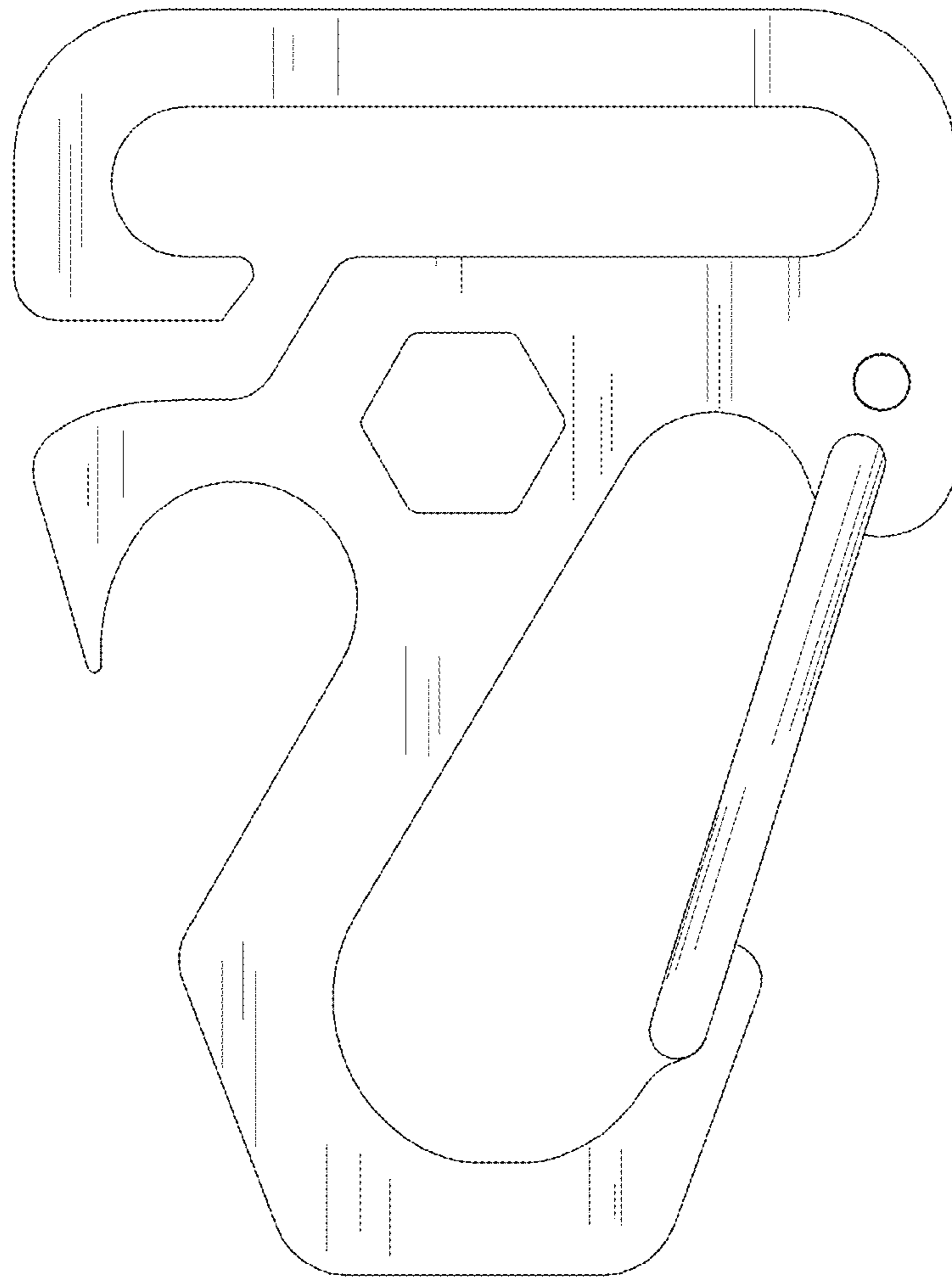


FIG. 3

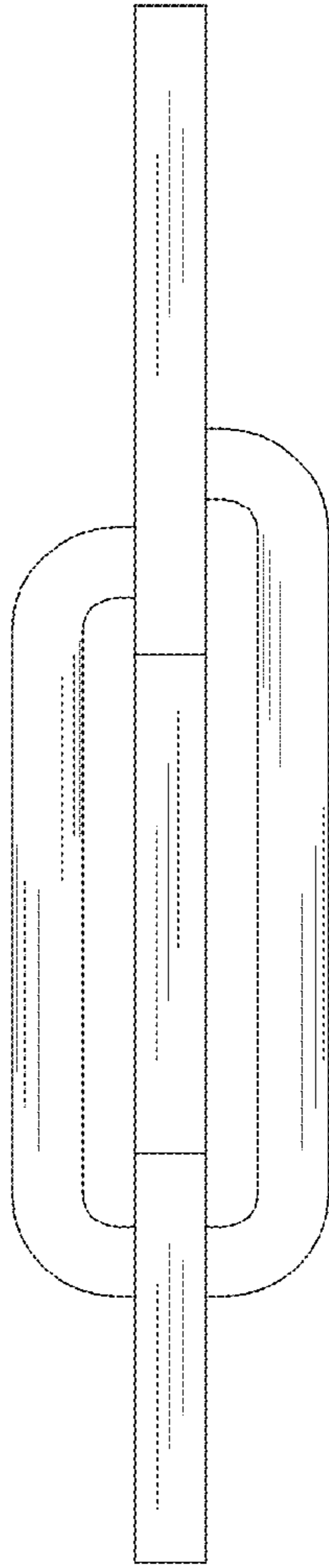


FIG. 4

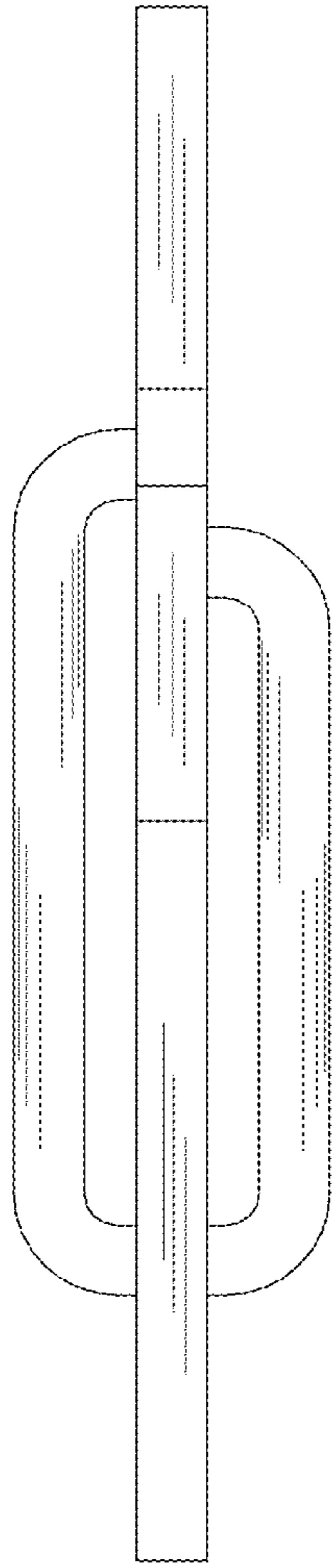


FIG. 5

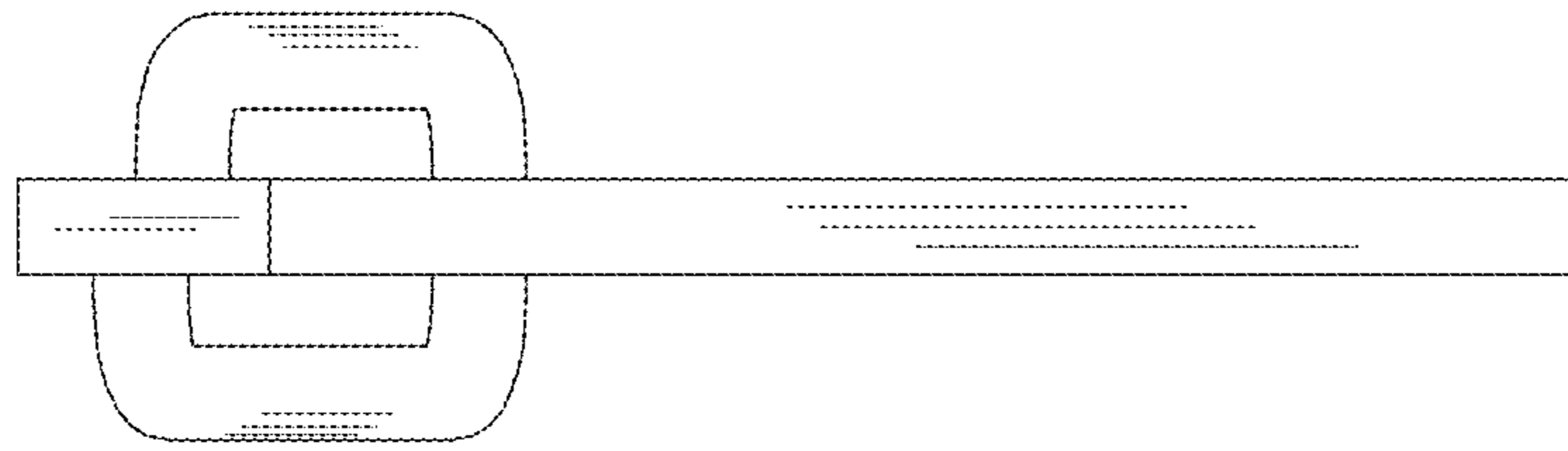


FIG. 6

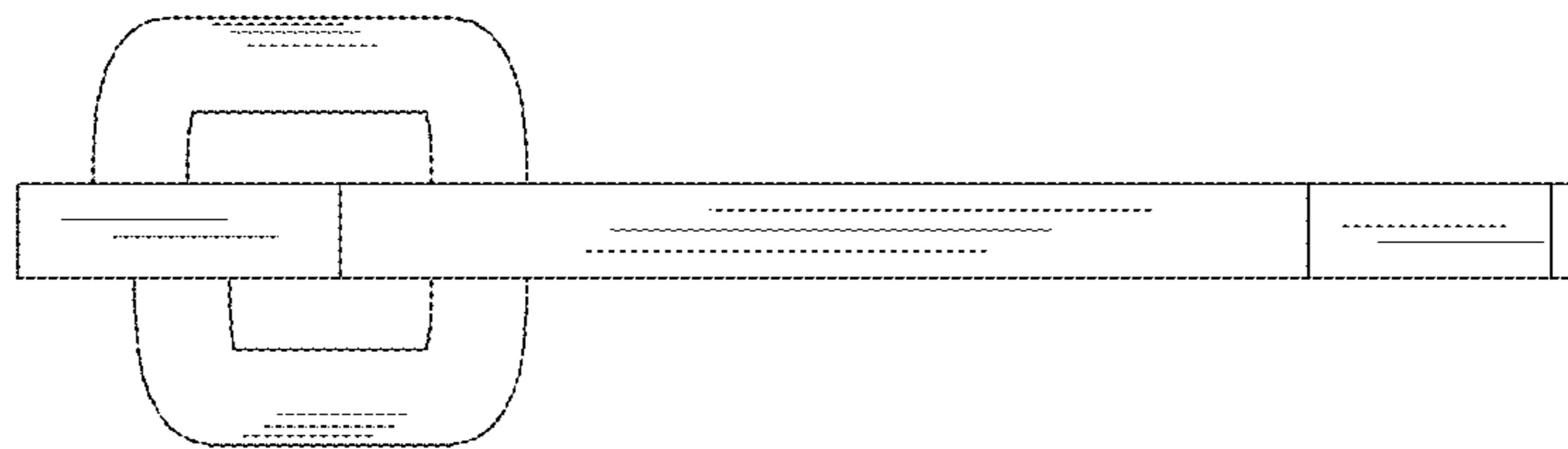


FIG. 7