



US00D818387S

(12) **United States Design Patent**
Chen

(10) **Patent No.:** **US D818,387 S**

(45) **Date of Patent:** **** May 22, 2018**

- (54) **WIRELESS DOORBELL SET**
- (71) Applicant: **Xiaojun Chen**, Guangdong (CN)
- (72) Inventor: **Xiaojun Chen**, Guangdong (CN)
- (73) Assignee: **SHENZHEN XIAOJUN TECHNOLOGY CO., LTD.**, Shenzhen (CN)
- (**) Term: **15 Years**
- (21) Appl. No.: **29/601,750**
- (22) Filed: **Apr. 26, 2017**
- (51) **LOC (11) Cl.** **10-05**
- (52) **U.S. Cl.**
USPC **D10/118.2**
- (58) **Field of Classification Search**
USPC D10/104.1, 108, 116.1, 118, 118.2, 121,
D10/122-126; D16/202, 203, 208, 209,
D16/215; D13/171
CPC ... G08B 3/00; G08B 3/10; G08B 7/00; G08B
7/06
See application file for complete search history.

- D793,265 S * 8/2017 Ye D10/118.2
- D793,266 S * 8/2017 Ye D10/118.2
- D793,267 S * 8/2017 Ye D10/118.2
- D794,488 S * 8/2017 Ye D10/118.2
- D800,005 S * 10/2017 Wong D10/118.2
- D806,657 S * 1/2018 Russo D13/168

* cited by examiner

Primary Examiner — George D. Kirschbaum

Assistant Examiner — Joseph J Kukella

(57) **CLAIM**

The ornamental design for a wireless doorbell set, as shown and described.

DESCRIPTION

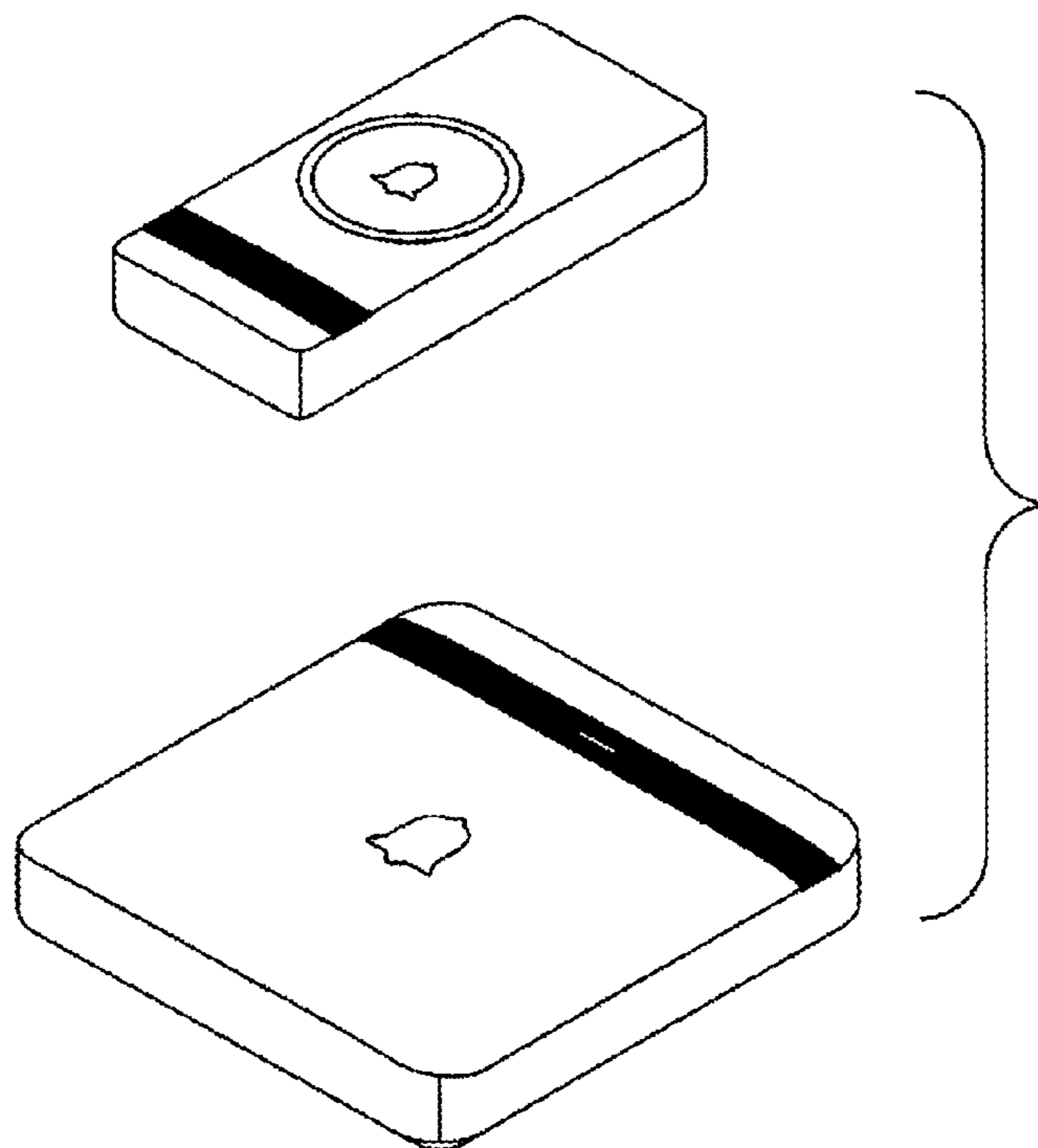
FIG. 1 is a perspective view of a wireless doorbell set showing my new design;
 FIG. 2 is a perspective view of the alarm part;
 FIG. 3 is a front elevational view thereof;
 FIG. 4 is a rear elevational view thereof;
 FIG. 5 is a right side view thereof;
 FIG. 6 is a left side view thereof;
 FIG. 7 is a bottom plan view thereof;
 FIG. 8 is a top plan view thereof;
 FIG. 9 is a perspective view of the sensor part;
 FIG. 10 is a front elevational view thereof;
 FIG. 11 is a rear elevational view thereof;
 FIG. 12 is a right side view thereof;
 FIG. 13 is a left side view thereof;
 FIG. 14 is a bottom plan view thereof; and,
 FIG. 15 is a top plan view thereof.

1 Claim, 11 Drawing Sheets

(56) **References Cited**

U.S. PATENT DOCUMENTS

- D344,036 S * 2/1994 Yuen D10/118
- D772,748 S * 11/2016 Parker D10/118.2
- D772,749 S * 11/2016 Parker D10/118.2
- D793,263 S * 8/2017 Ye D10/118.2
- D793,264 S * 8/2017 Ye D10/118.2



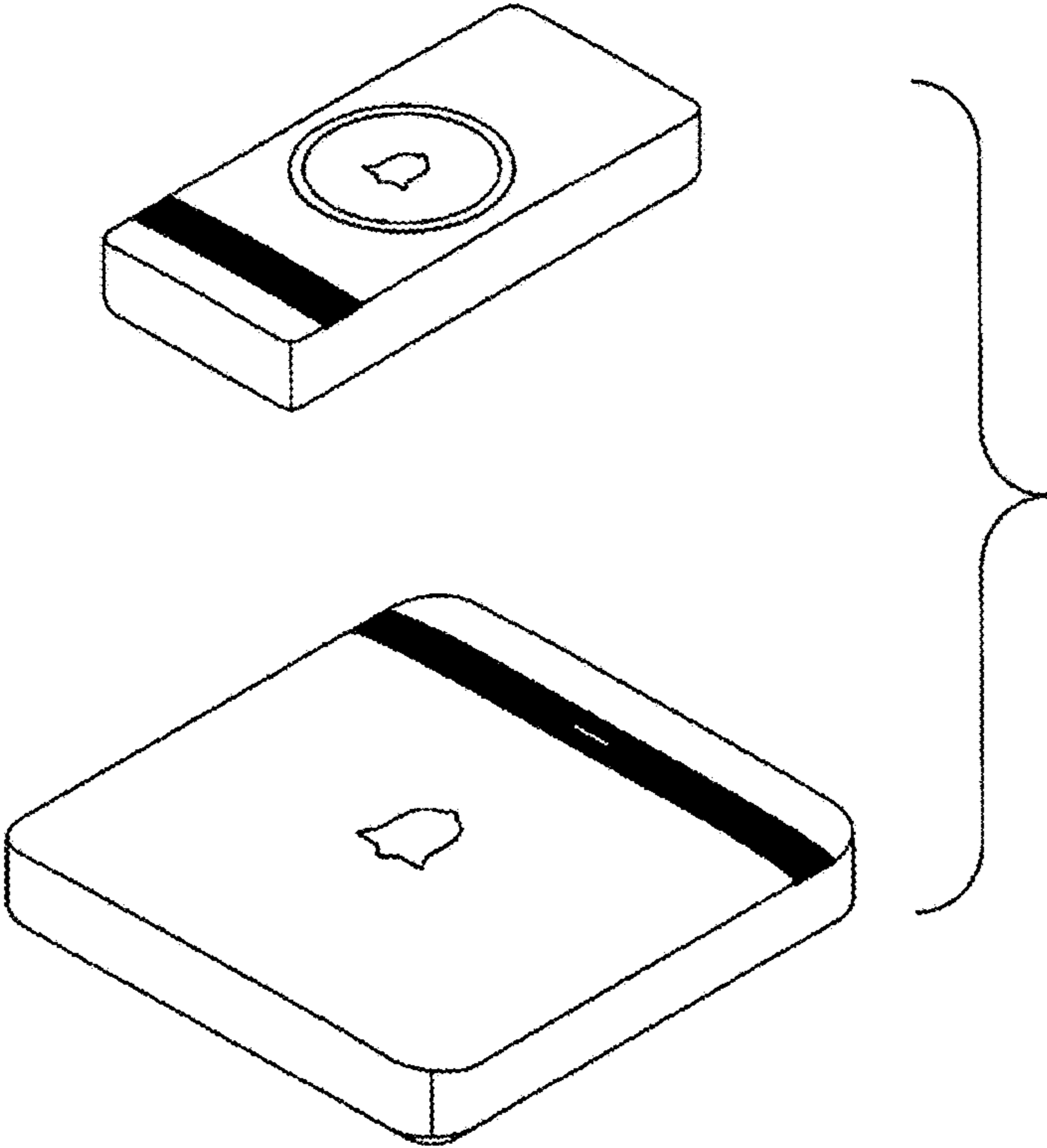


FIG. 1

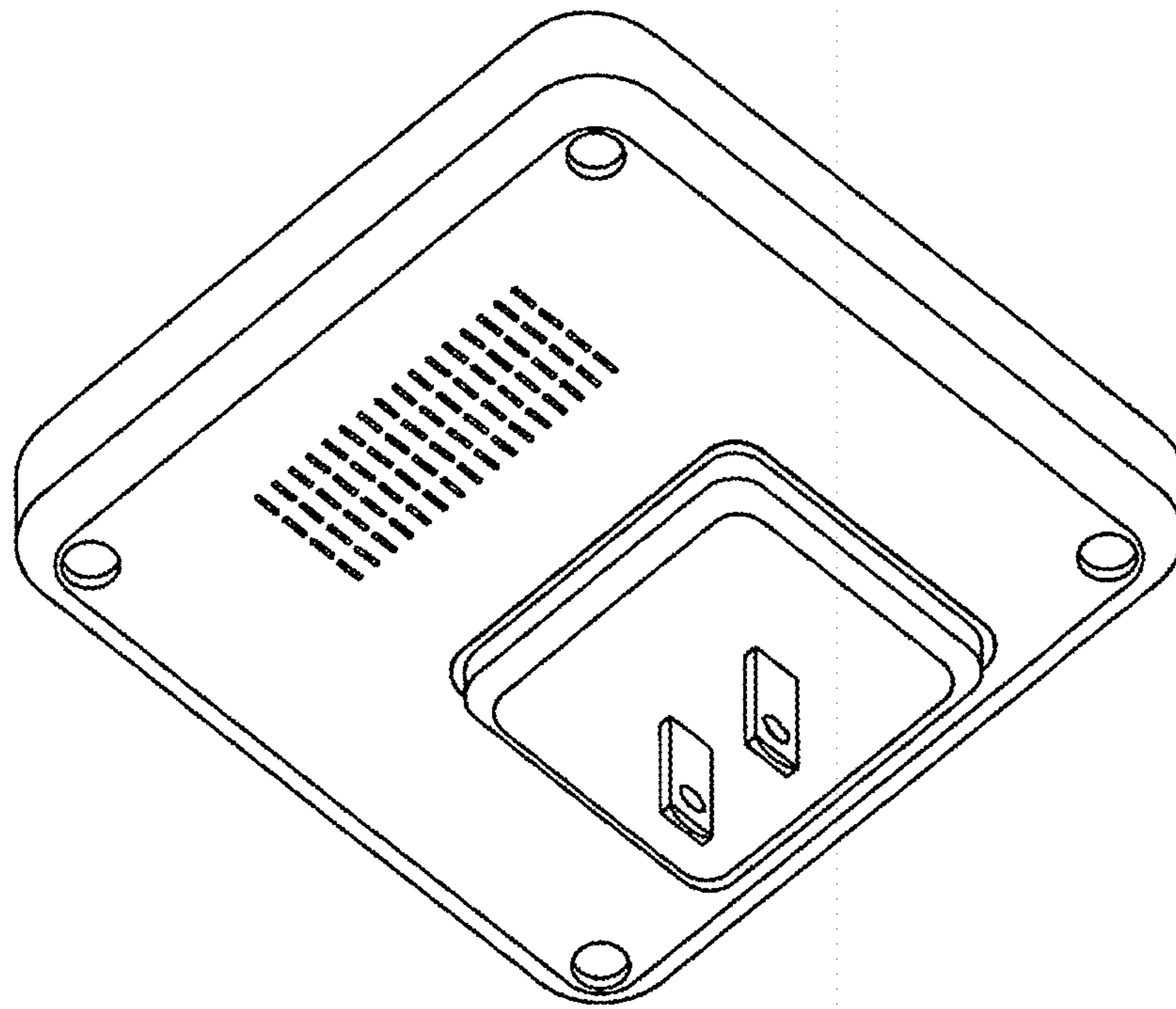


FIG. 2

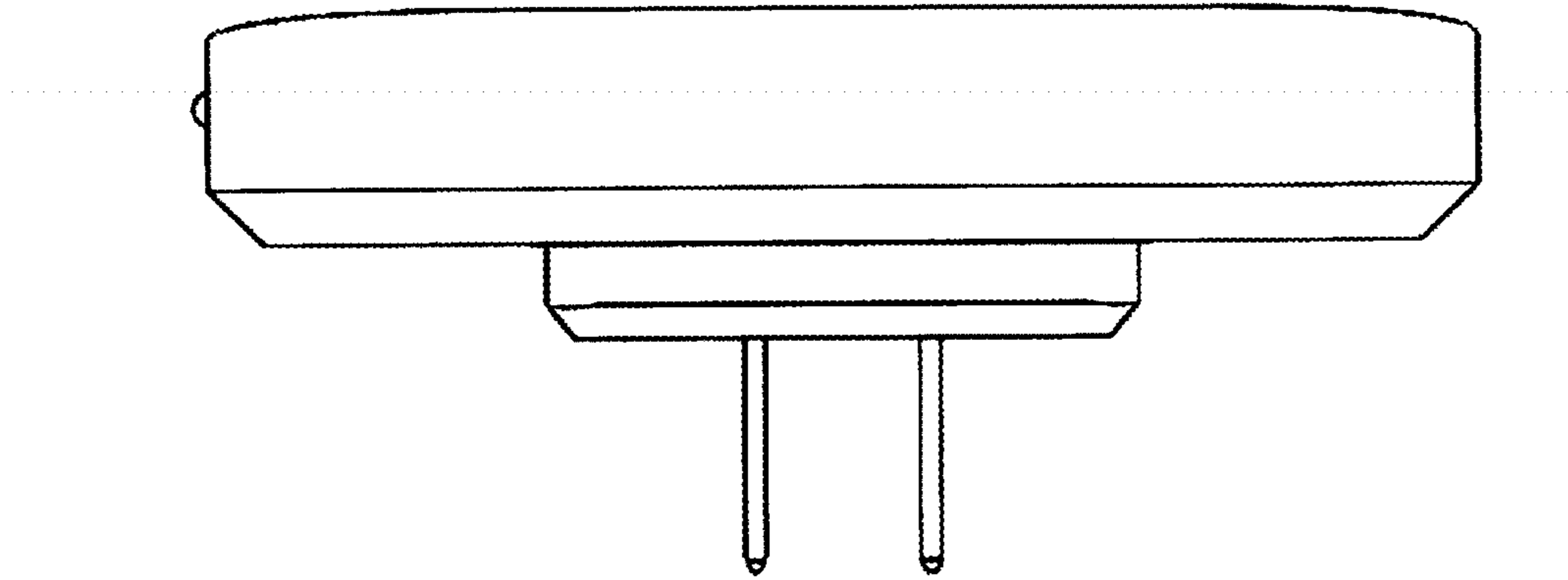


FIG. 3

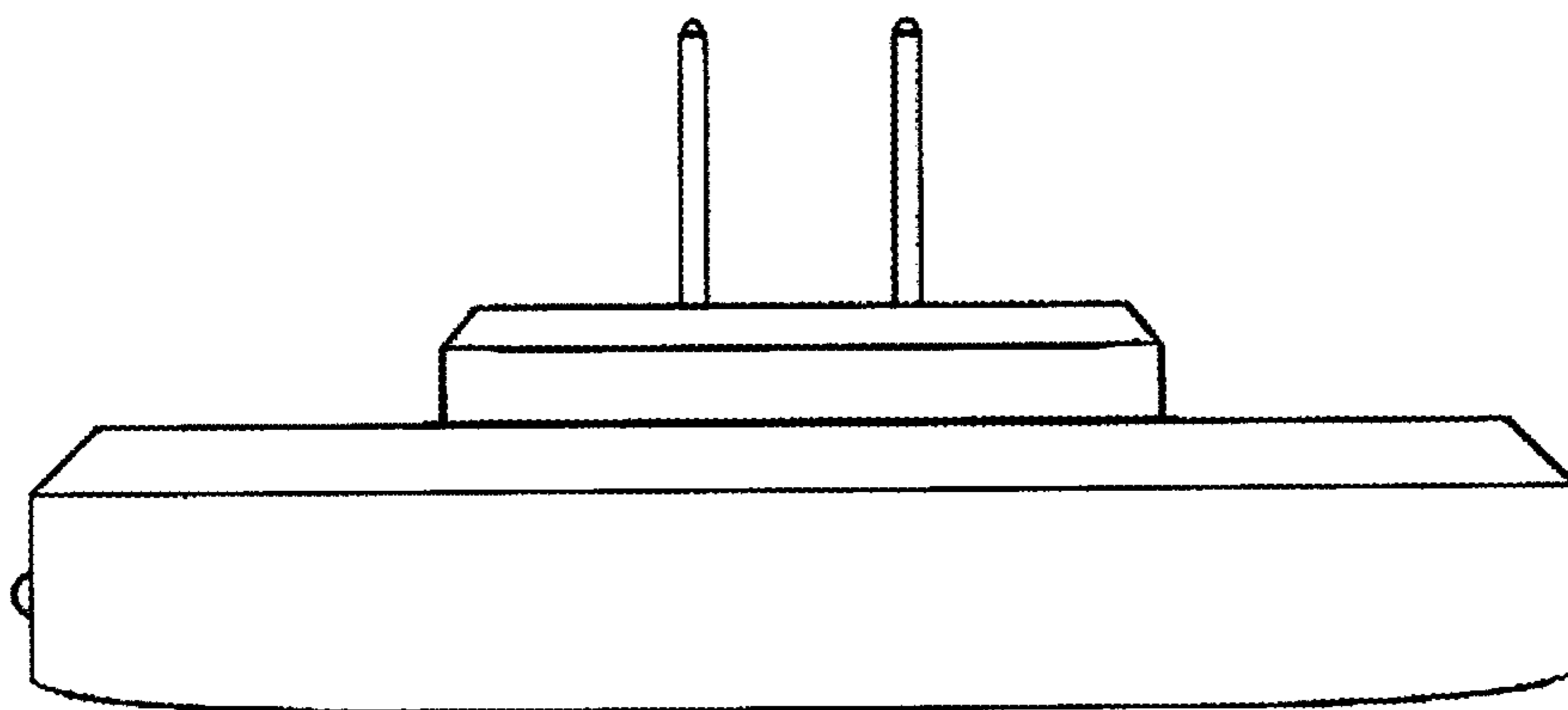


FIG. 4

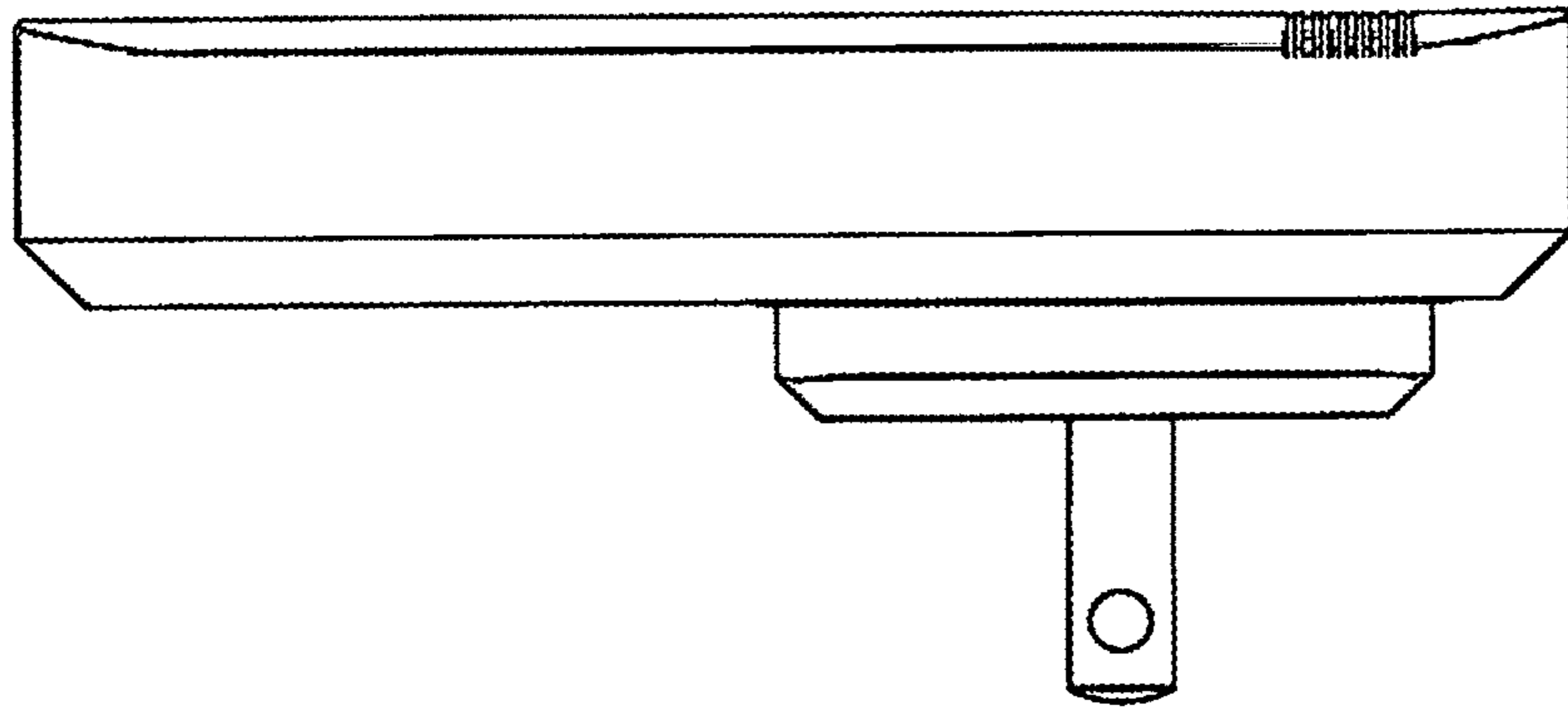


FIG. 5

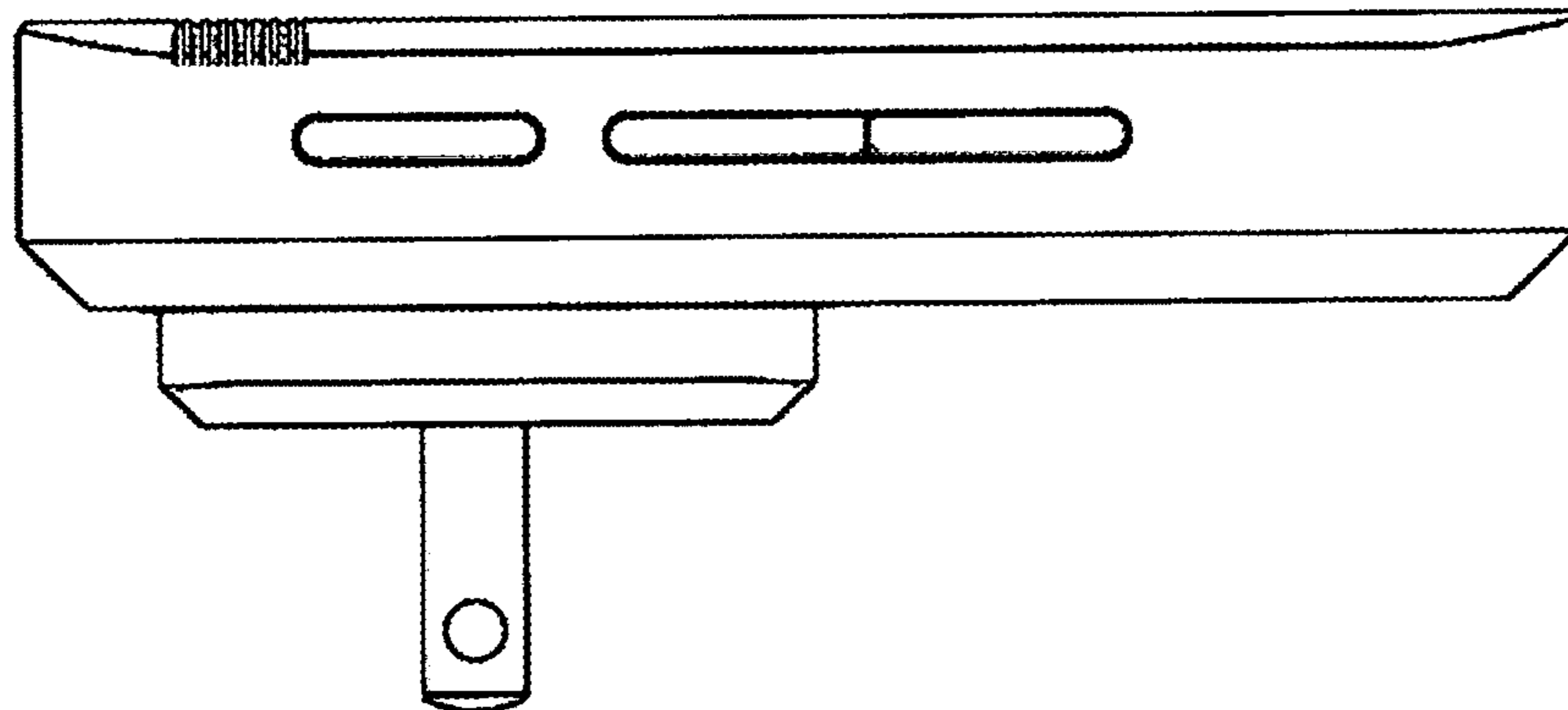


FIG. 6

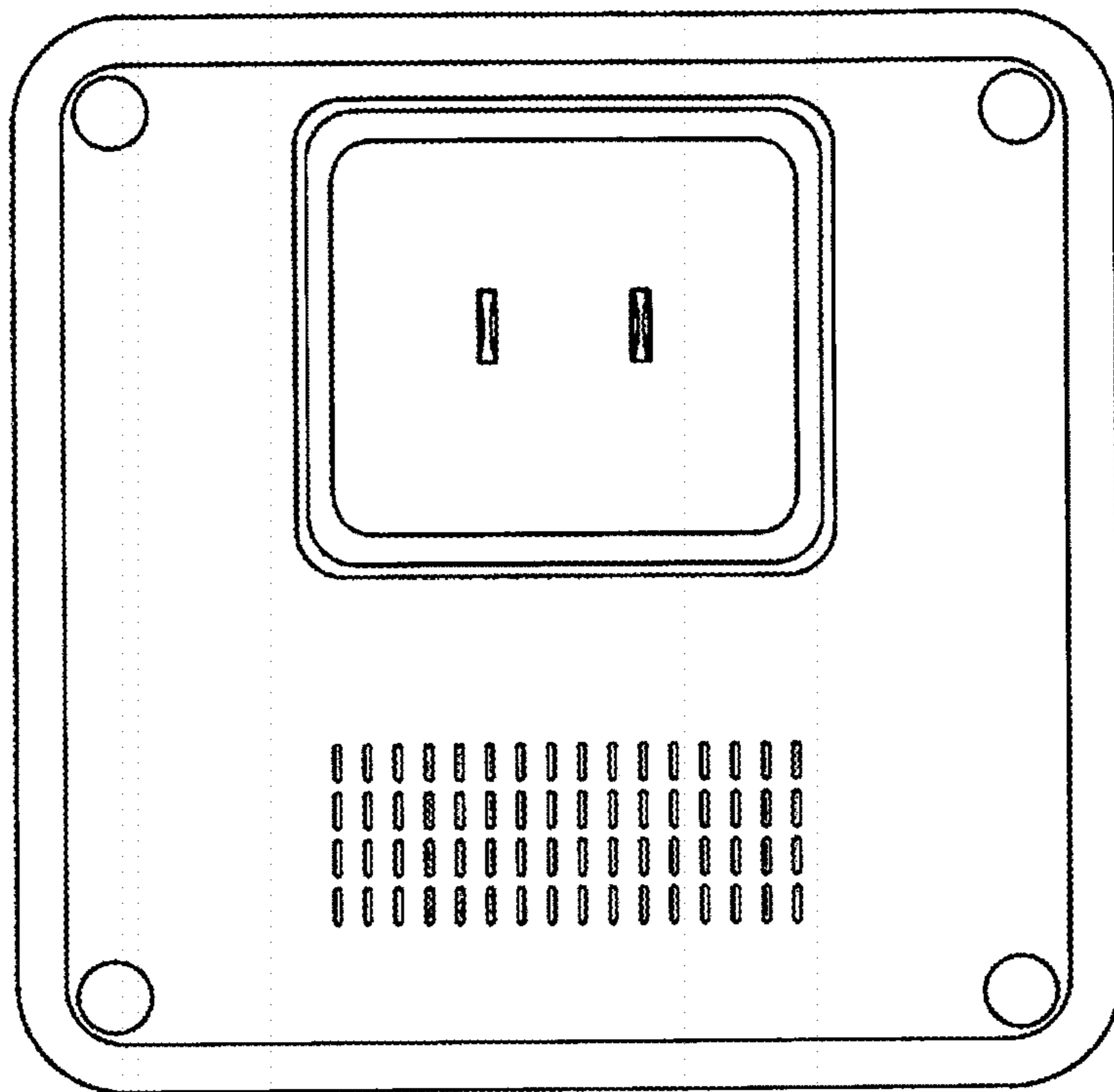


FIG. 7

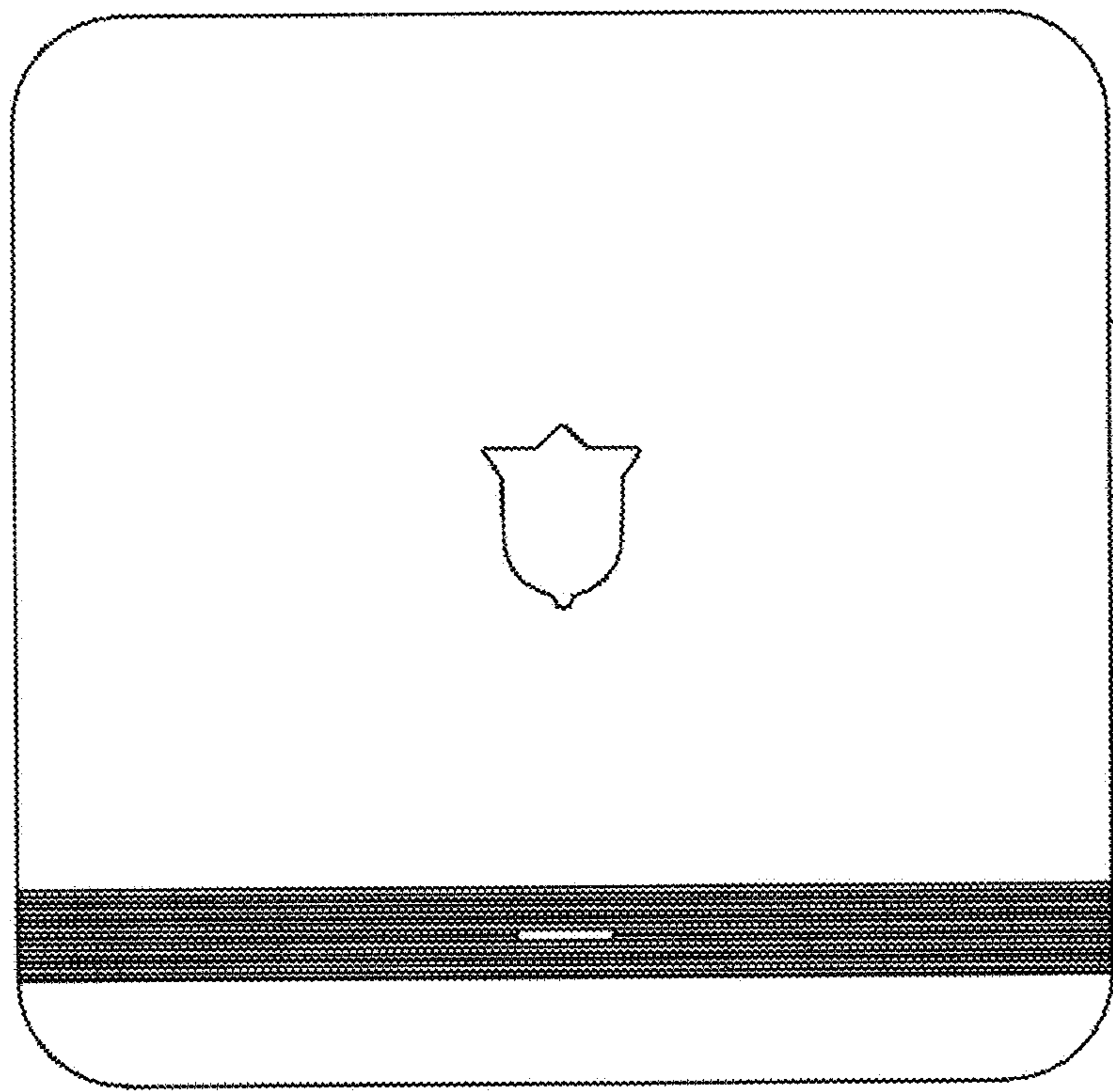


FIG. 8

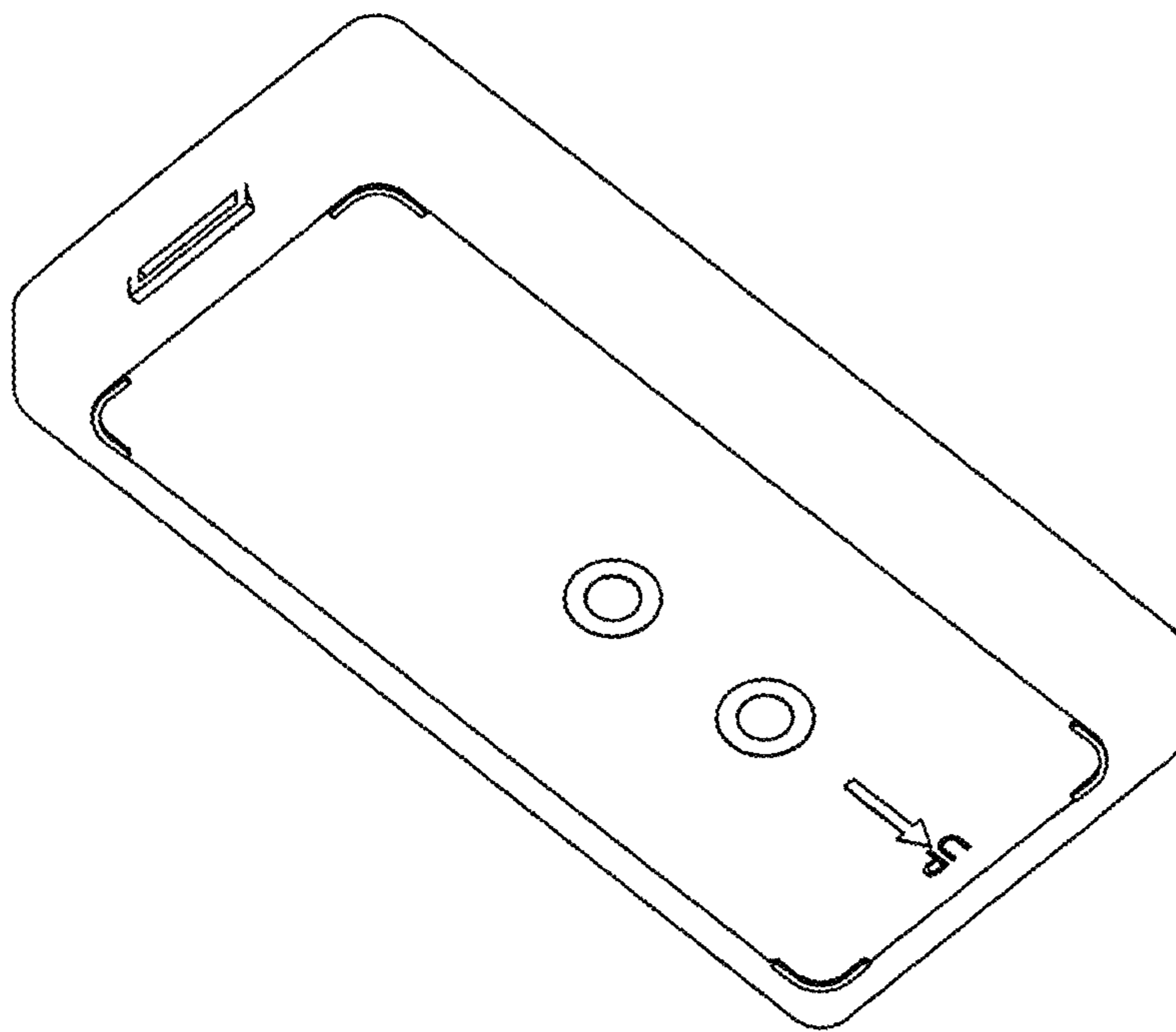


FIG. 9

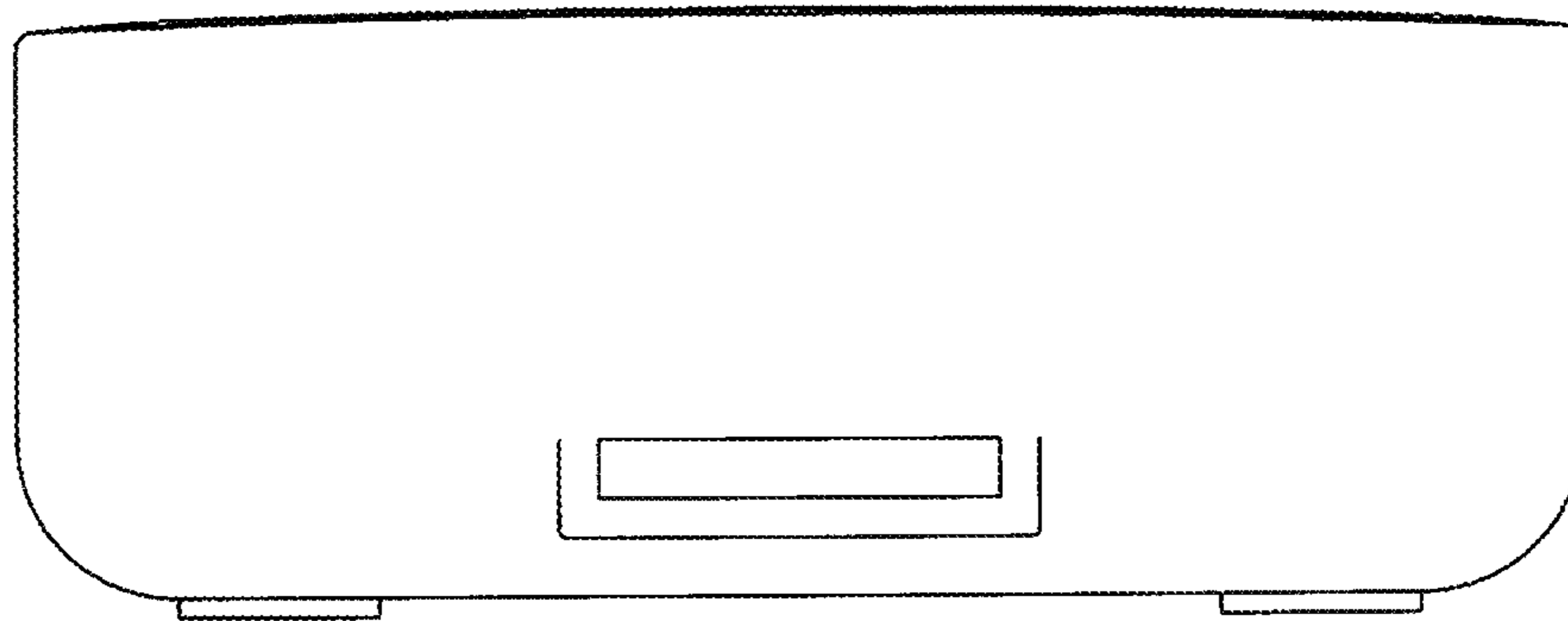


FIG. 10

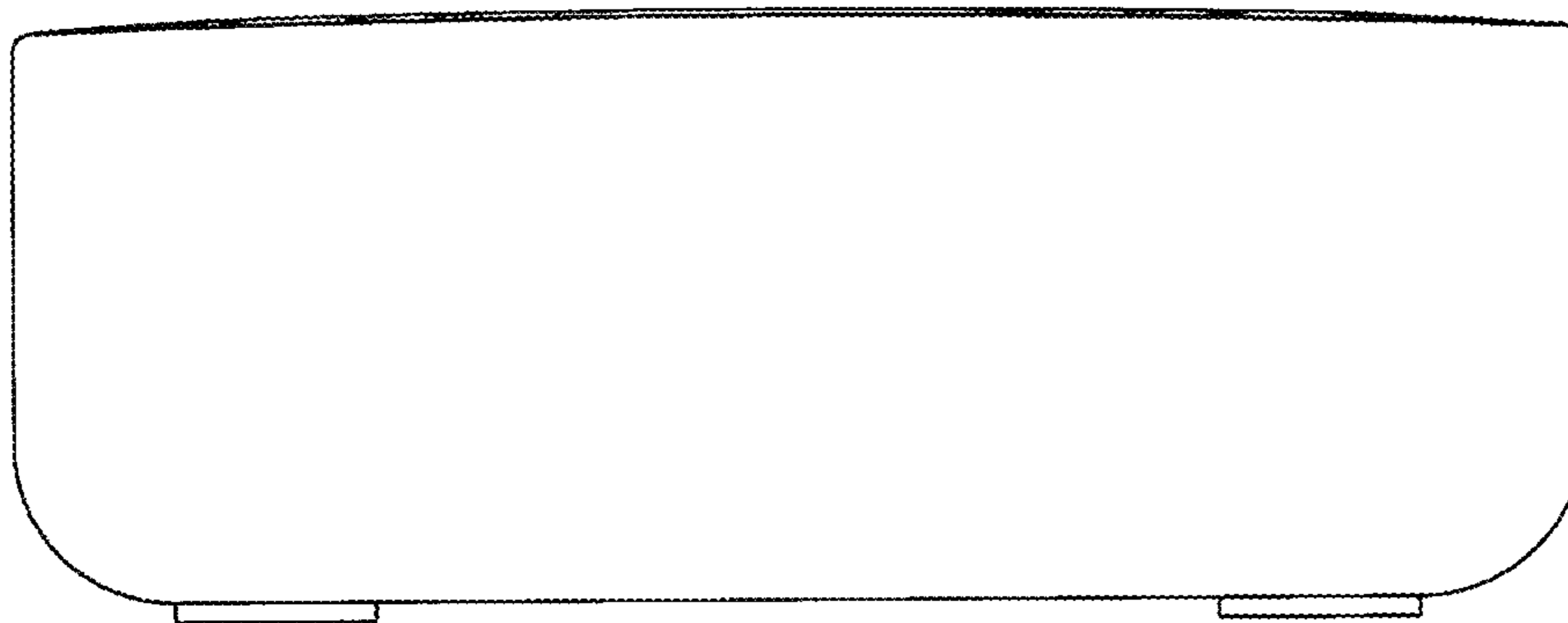


FIG. 11

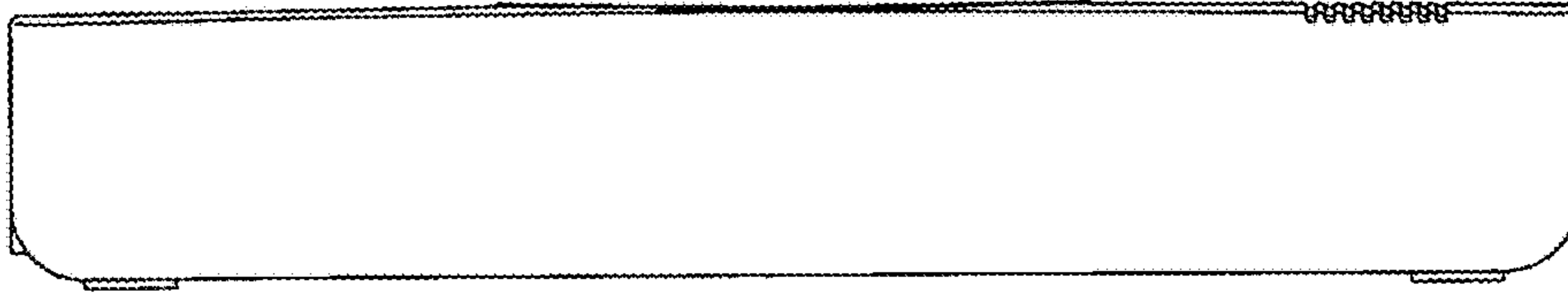


FIG. 12

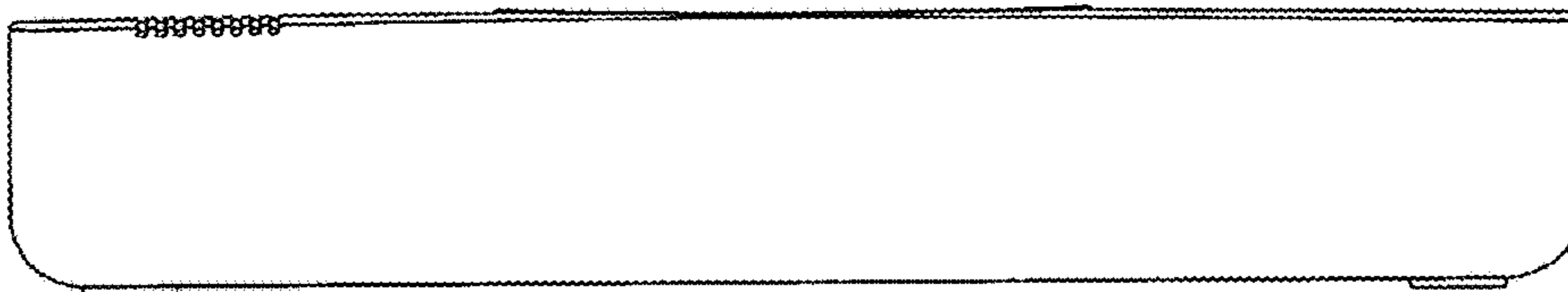


FIG. 13

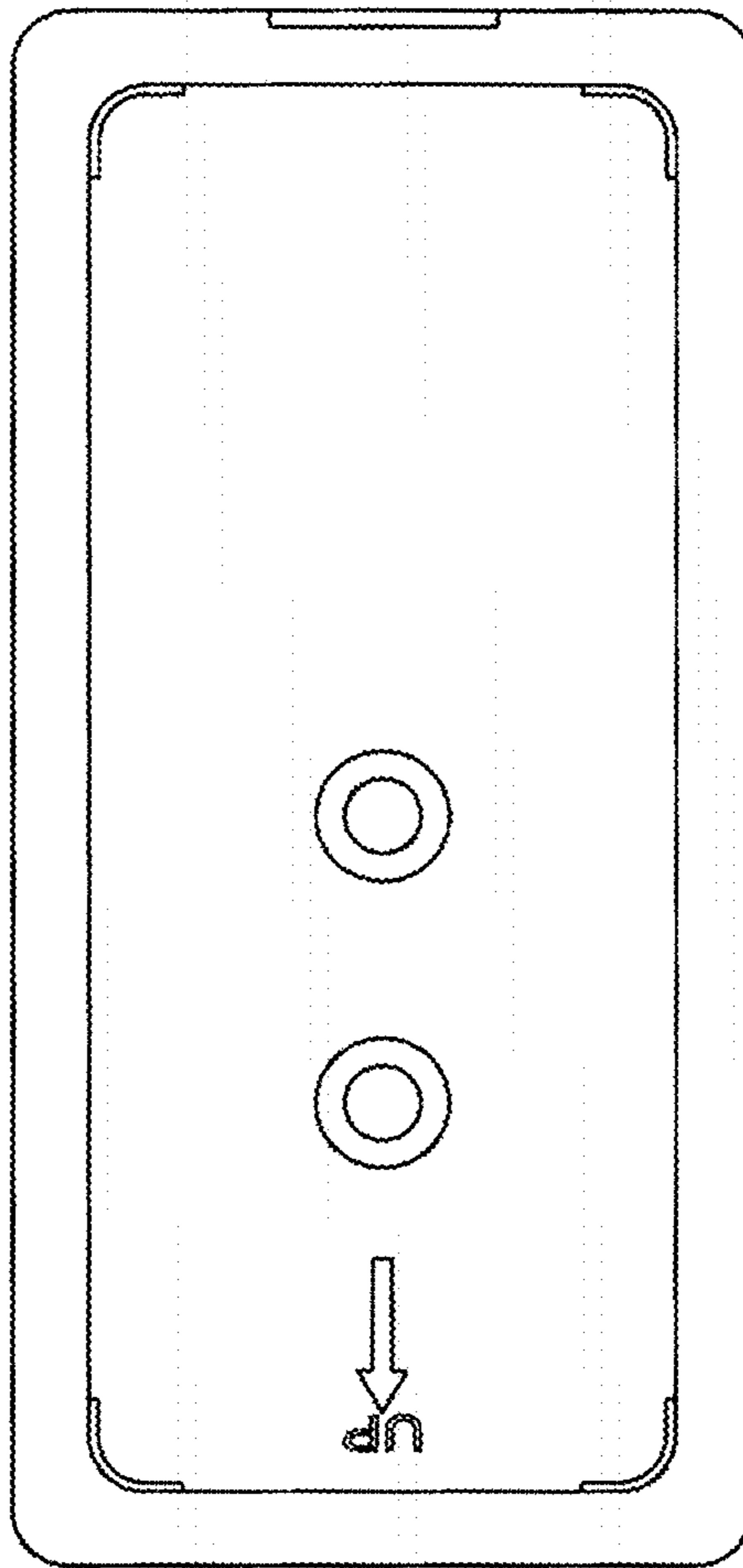


FIG. 14

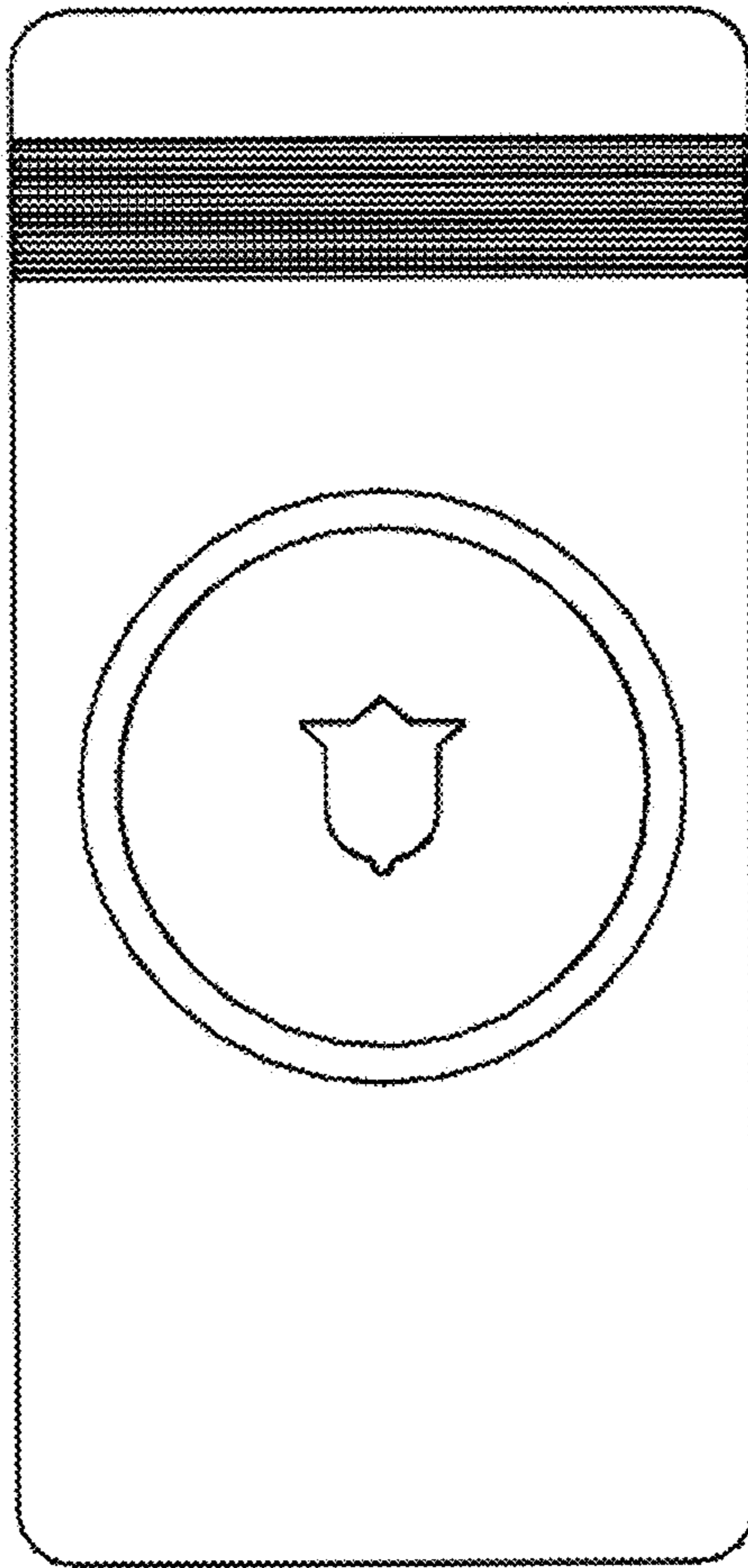


FIG. 15