



US00D818383S

(12) **United States Design Patent**
Sato et al.

(10) **Patent No.:** **US D818,383 S**

(45) **Date of Patent:** **** May 22, 2018**

(54) **LOAD DETECTOR FOR BED**

FOREIGN PATENT DOCUMENTS

(71) Applicant: **MINEBEA MITSUMI Inc.**, Nagano (JP)

JP 2006252540 A * 9/2006
JP 2006266894 A * 10/2006

(Continued)

(72) Inventors: **Kunihiko Sato**, Fujisawa (JP); **Norihito Iida**, Sagamihara (JP); **Jun Hatcho**, Kitasaku (JP)

Primary Examiner — Melanie H Tung
Assistant Examiner — Fritzgerald L Butac

(74) *Attorney, Agent, or Firm* — Pearne & Gordon LLP

(73) Assignee: **MINEBEA MITSUMI INC.**, Nagano (JP)

(**) Term: **15 Years**

(57) **CLAIM**

(21) Appl. No.: **29/595,404**

The ornamental design for a load detector for bed, as shown and described.

(22) Filed: **Feb. 28, 2017**

(30) **Foreign Application Priority Data**

DESCRIPTION

Sep. 1, 2016 (JP) 2016-018885

(51) **LOC (11) Cl.** **10-06**

(52) **U.S. Cl.**
USPC **D10/106.6; D10/104.1; D10/87**

(58) **Field of Classification Search**
USPC D6/329, 348, 360, 362, 364, 365, 367, D6/371, 382, 512, 708, 708.24, 708.25, D6/709, 710; D10/46, 53, 82, 83, 87, 89, D10/91, 92, 102, 122, 123, 104.1, 106.1, D10/106.6, 121, 125; D15/199; D24/232
CPC G01G 3/08; G01G 3/02; G01G 19/44; G01G 19/46; G01G 19/4146; G08B 23/00
See application file for complete search history.

FIG. 1 is a front and top perspective view of a load detector for bed showing our new design;
FIG. 2 is a rear and bottom perspective view thereof;
FIG. 3 is a front elevational view thereof;
FIG. 4 is a rear elevational view thereof;
FIG. 5 is a right side elevational view thereof;
FIG. 6 is a left side elevational view thereof;
FIG. 7 is a top plan view thereof;
FIG. 8 is a bottom plan view thereof;
FIG. 9 is a cross-sectional view taken along line 9-9 in FIG. 3; and,
FIG. 10 is a reference perspective view showing the load detector for bed in a use state, with the caster of the bed placed thereon.

(56) **References Cited**

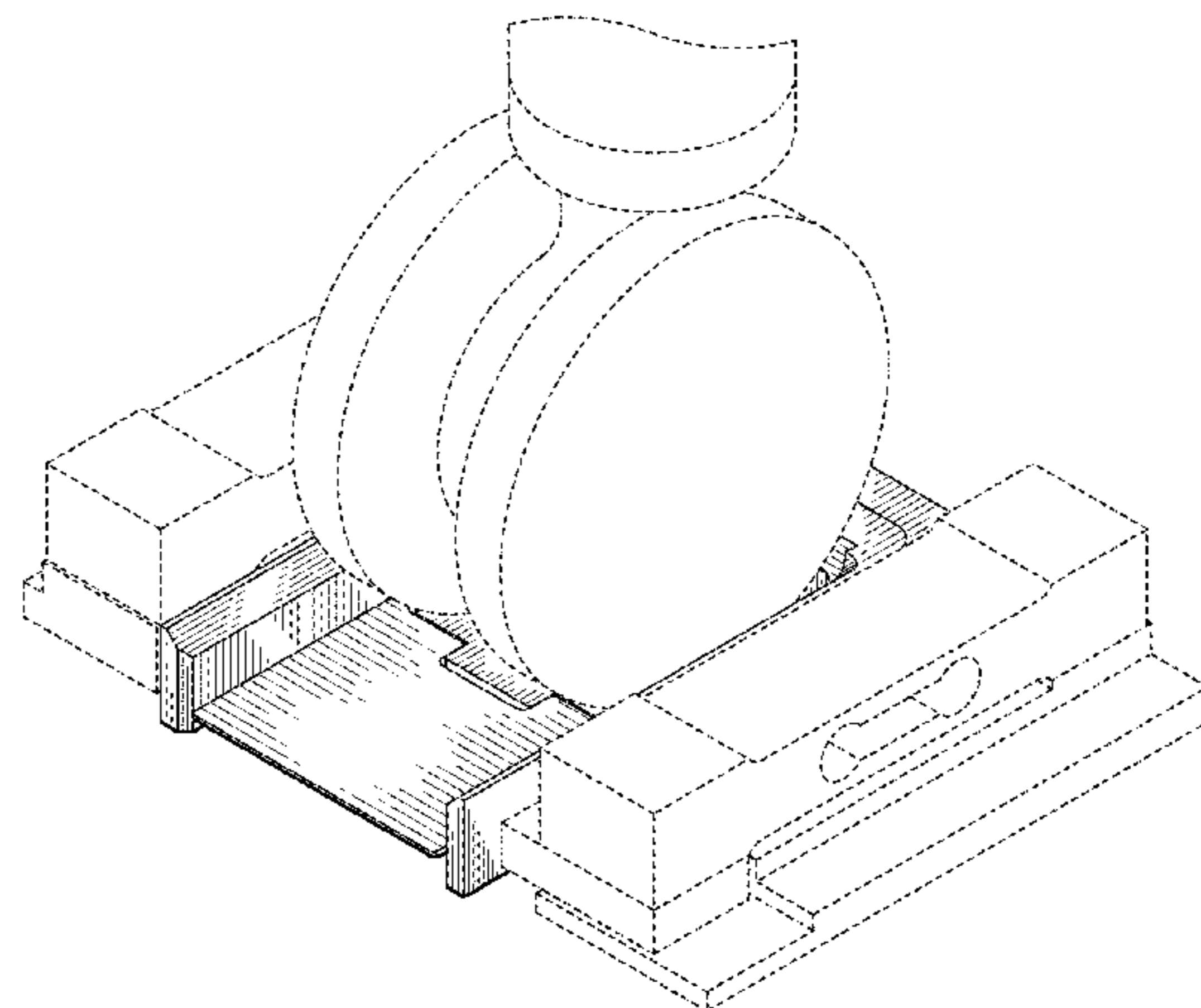
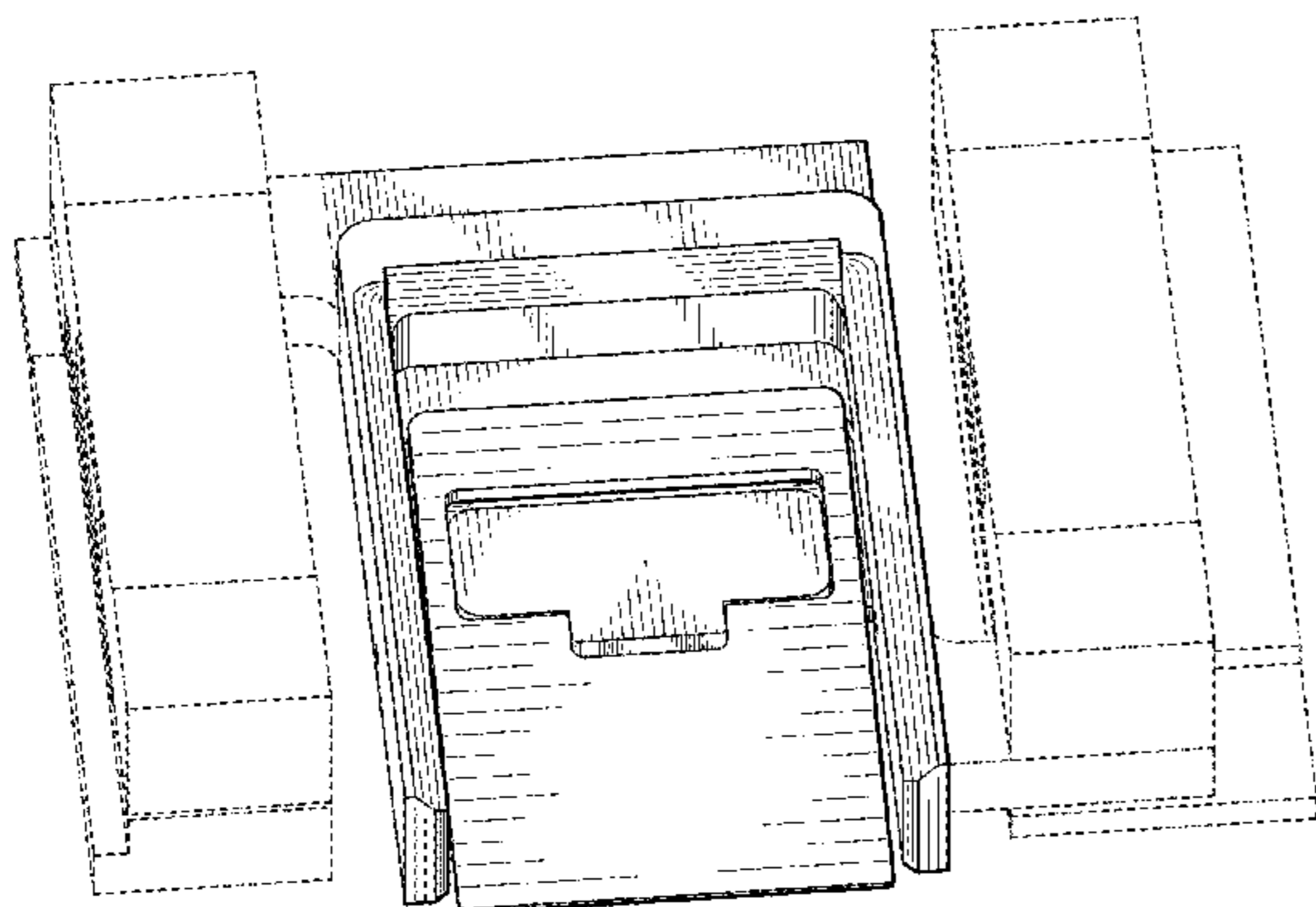
U.S. PATENT DOCUMENTS

D371,263 S * 7/1996 Liu D6/708
D423,971 S * 5/2000 Elbinger D10/106.1
D424,962 S * 5/2000 Dawn D10/121
D427,927 S * 7/2000 Ross D10/104.1
D431,943 S * 10/2000 Lee D6/716.1
D447,486 S * 9/2001 Goto D14/447

(Continued)

The evenly spaced broken lines depict portions of the load detector for bed in which the design is embodied that form no part of the claimed design. The dot-dash chain broken lines define the boundary of the claimed design and form no part of the claimed design. Additionally, the evenly spaced broken lines depict the portions of the caster of the bed in FIG. 10 as environmental subject matter only and form no part of the claimed design.

1 Claim, 8 Drawing Sheets



(56)

References Cited

U.S. PATENT DOCUMENTS

D467,390 S * 12/2002 Lewis D28/38
D668,980 S * 10/2012 Greenberg D10/104.1
D673,150 S * 12/2012 Nelson, Jr. D14/385
D693,256 S * 11/2013 Chan D10/85
D693,718 S * 11/2013 Romine D10/121
D698,681 S * 2/2014 Kosloski D10/106.9
D739,218 S * 9/2015 Chang D8/382
D786,113 S * 5/2017 Kucala D10/106.1

FOREIGN PATENT DOCUMENTS

JP 2006302266 A * 11/2006
JP 2008012202 A * 1/2008
JP 2008065700 A * 3/2008
JP 2010148765 A * 7/2010
JP 2011056152 A * 3/2011

* cited by examiner

FIG. 1

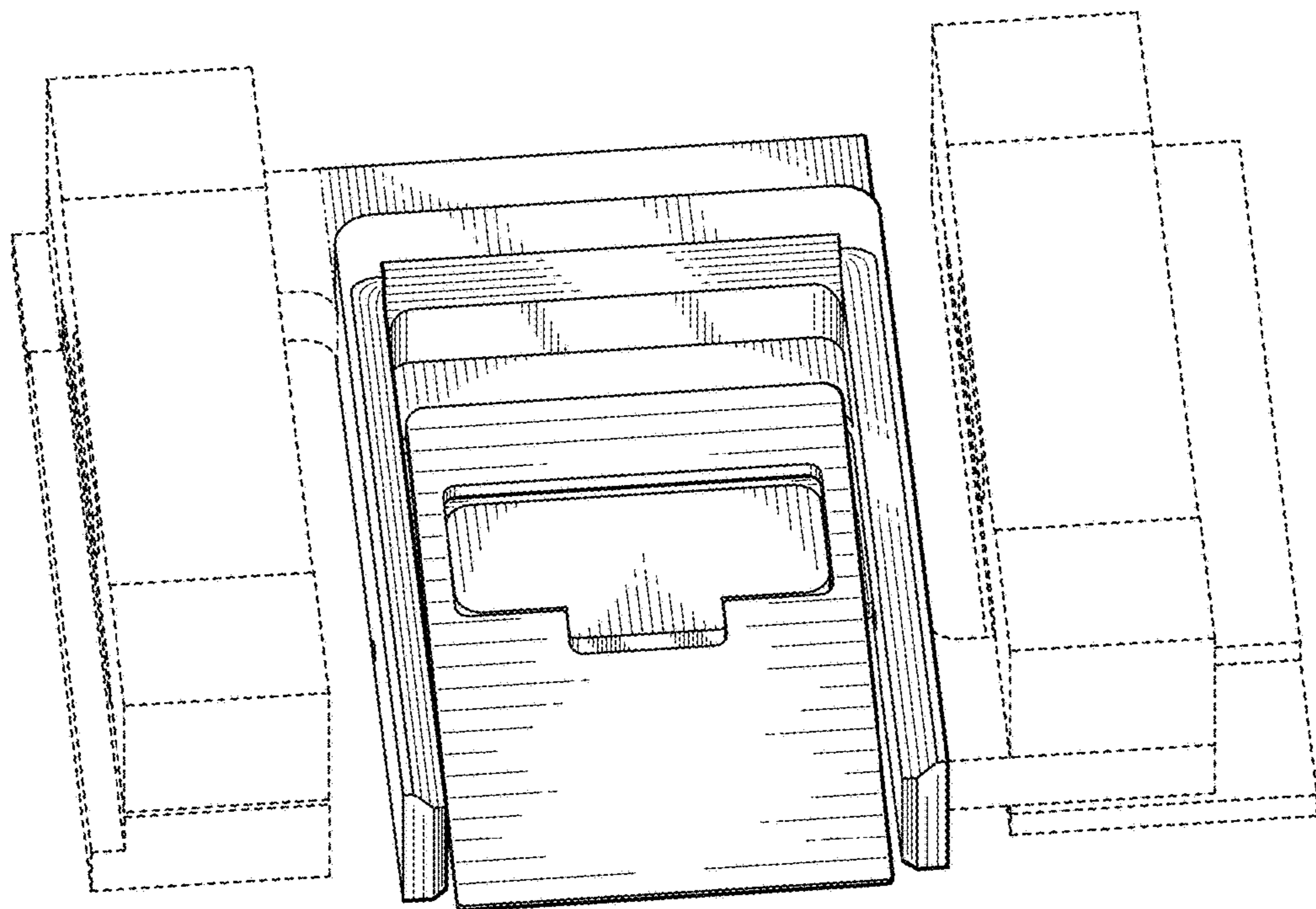


FIG. 2

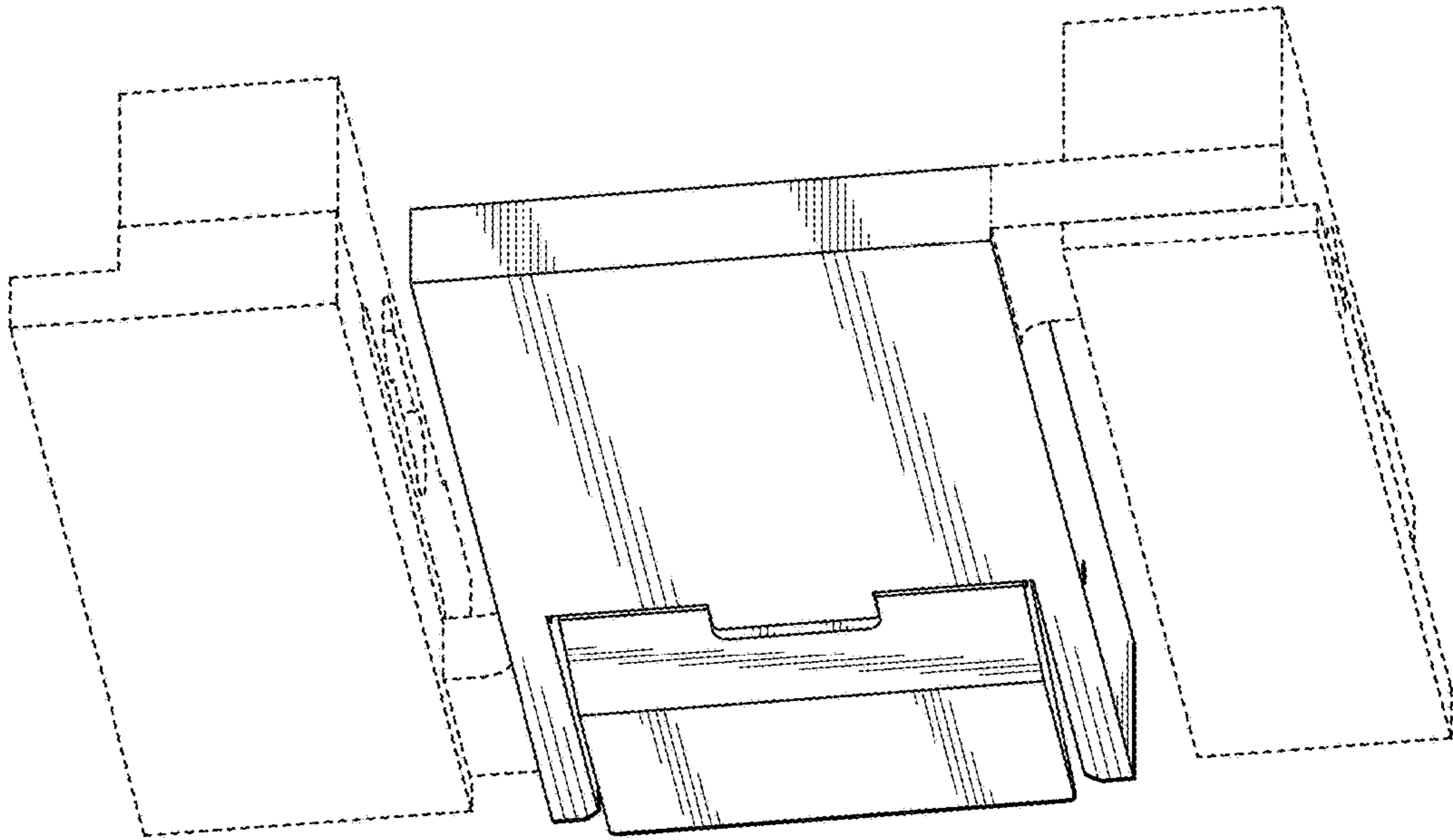


FIG. 3

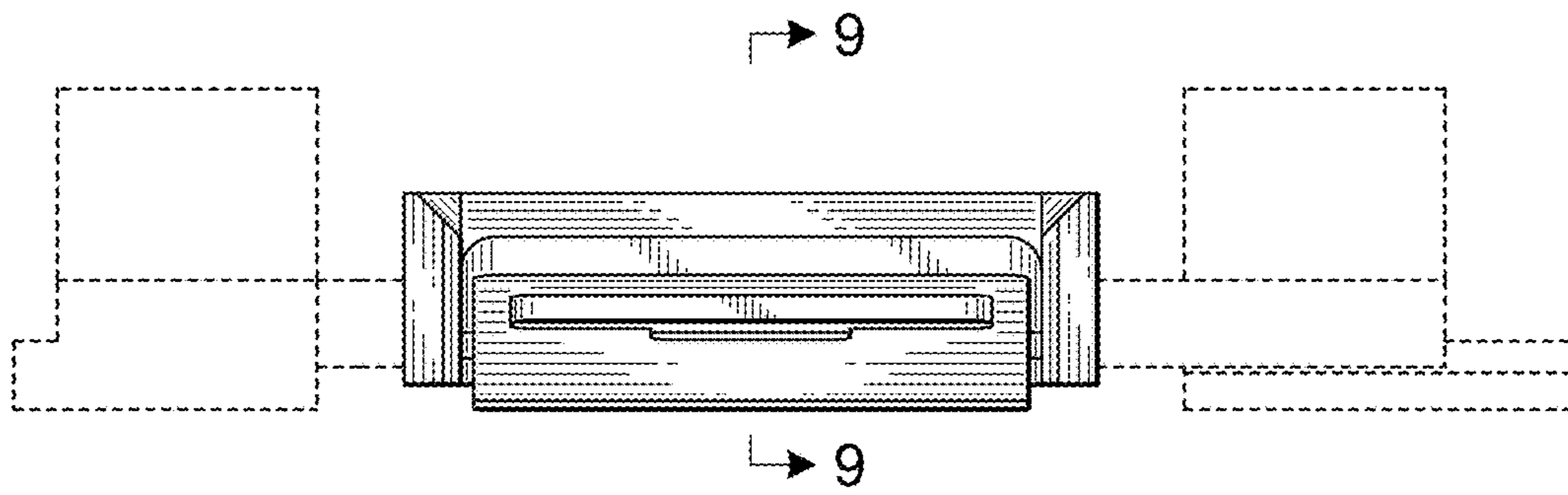


FIG. 4

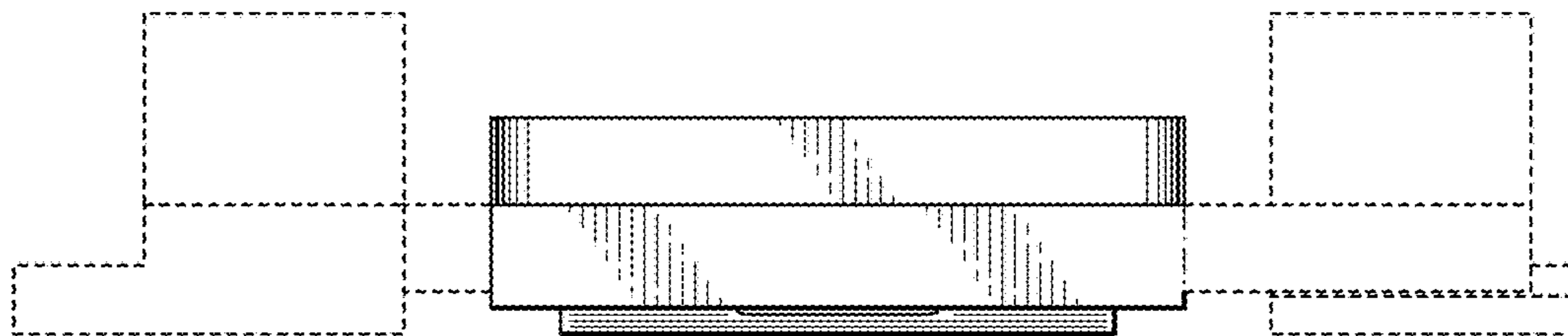


FIG. 5

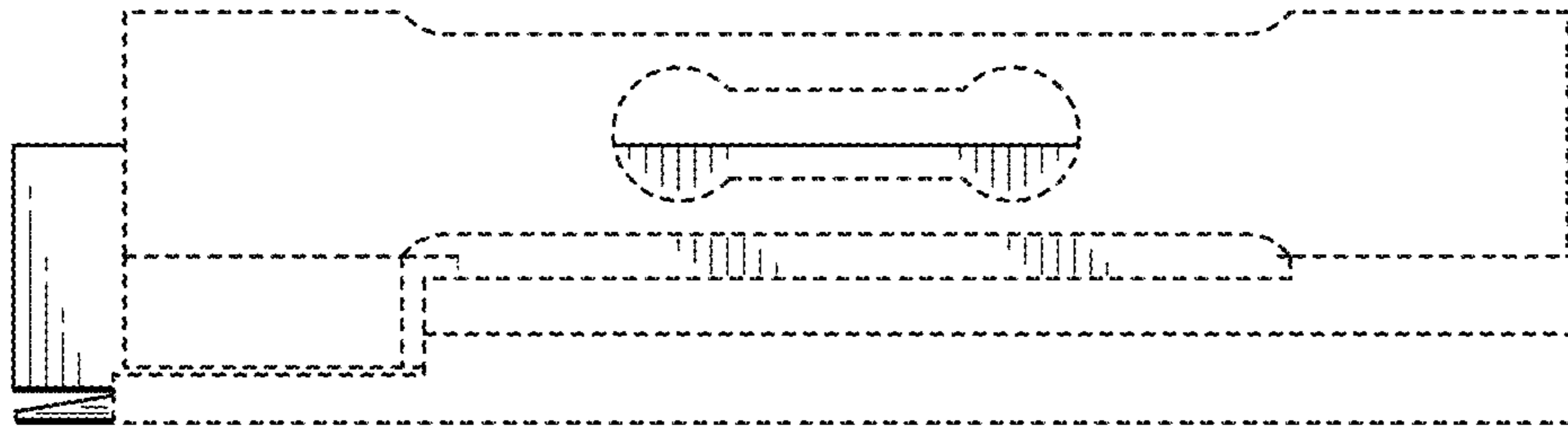


FIG. 6

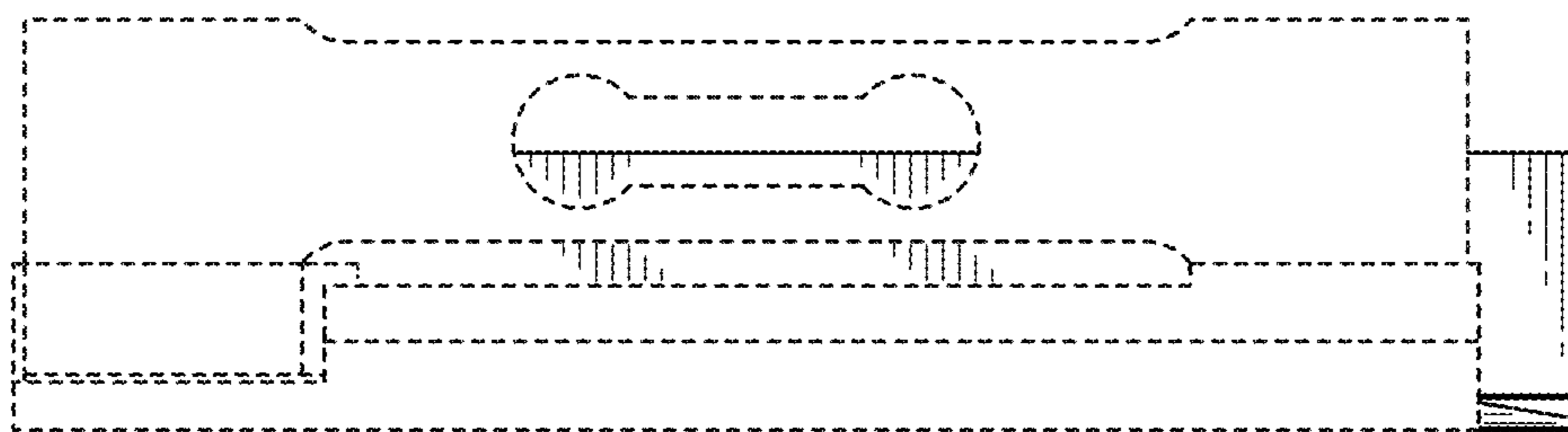


FIG. 7

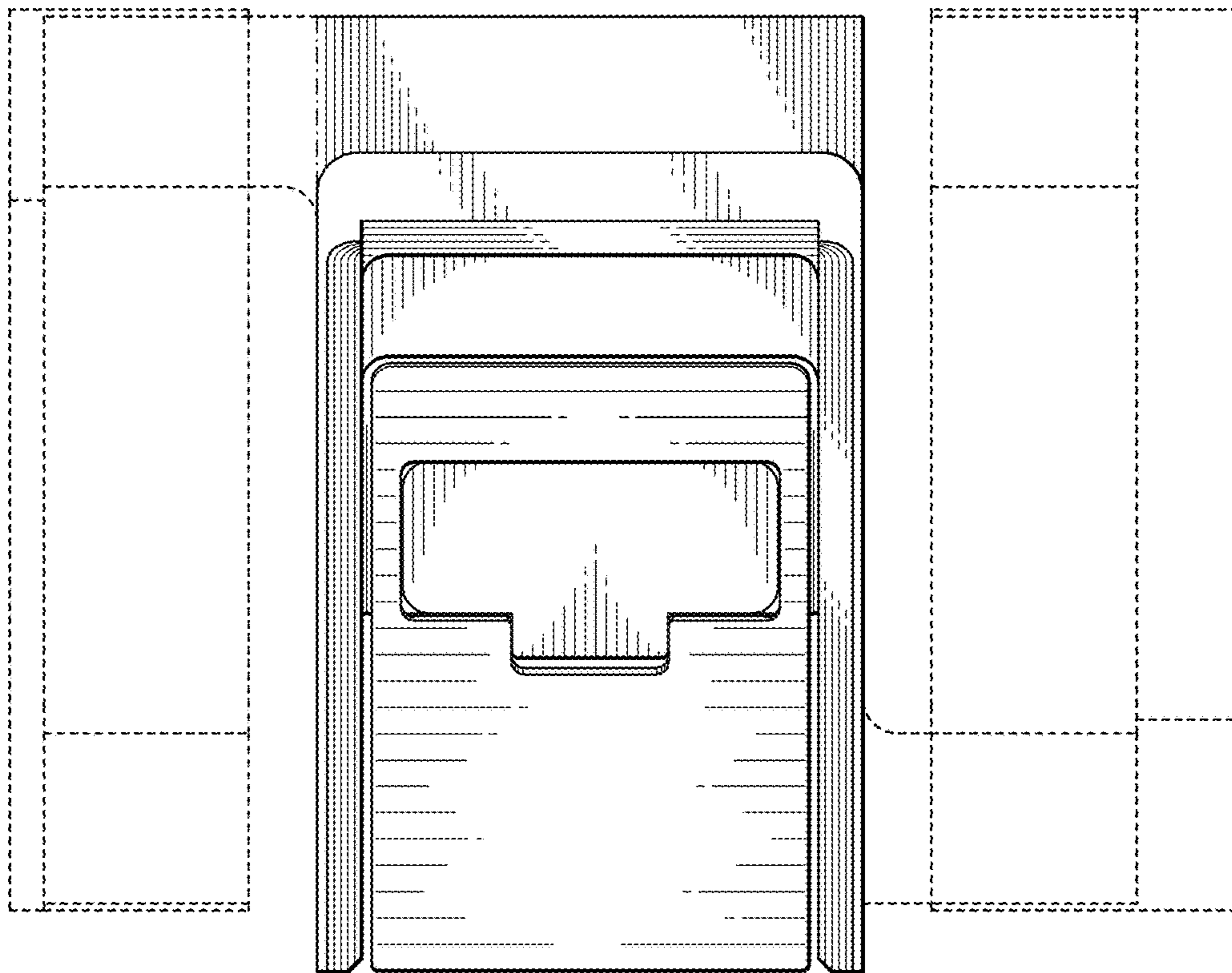


FIG. 8

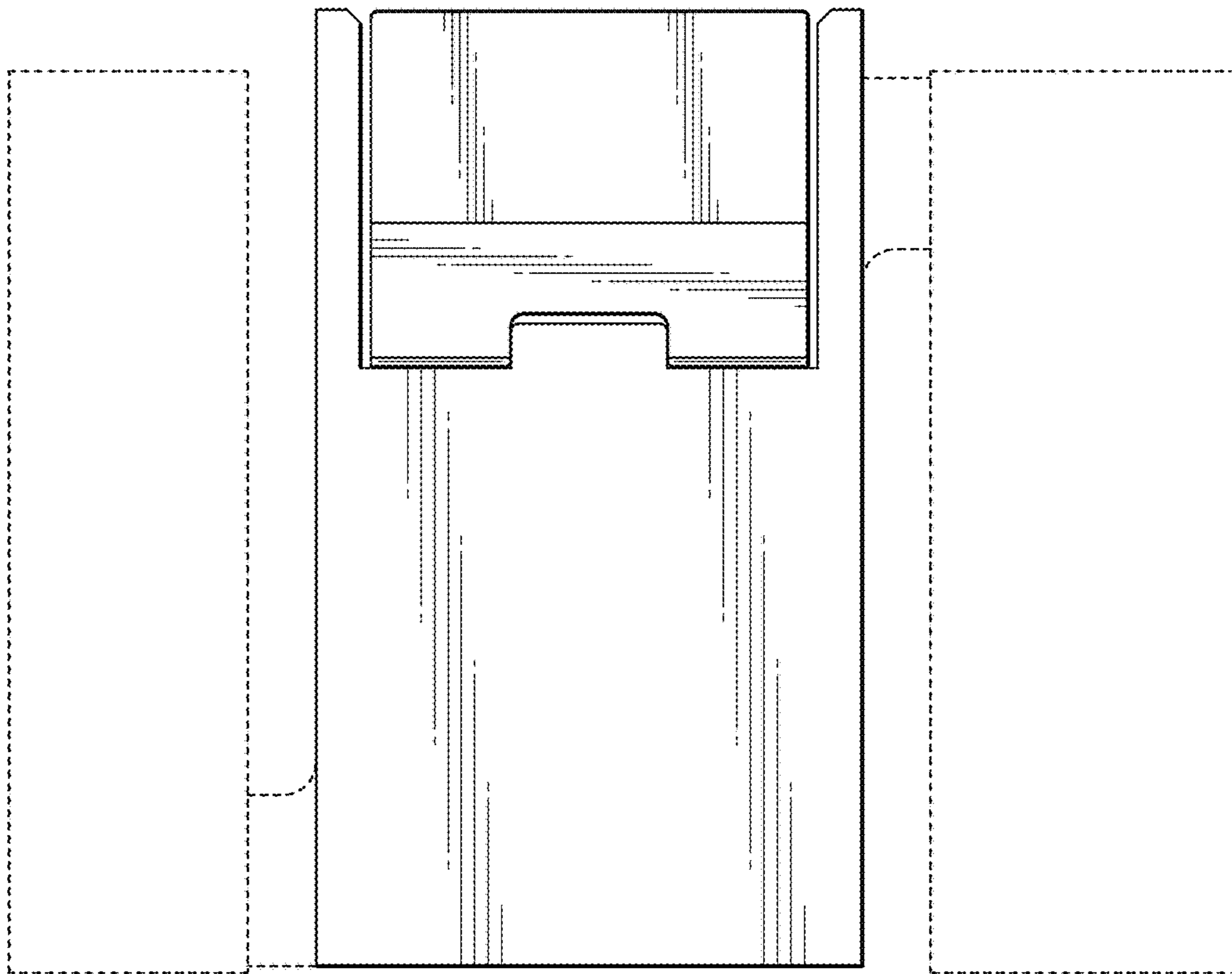


FIG. 9

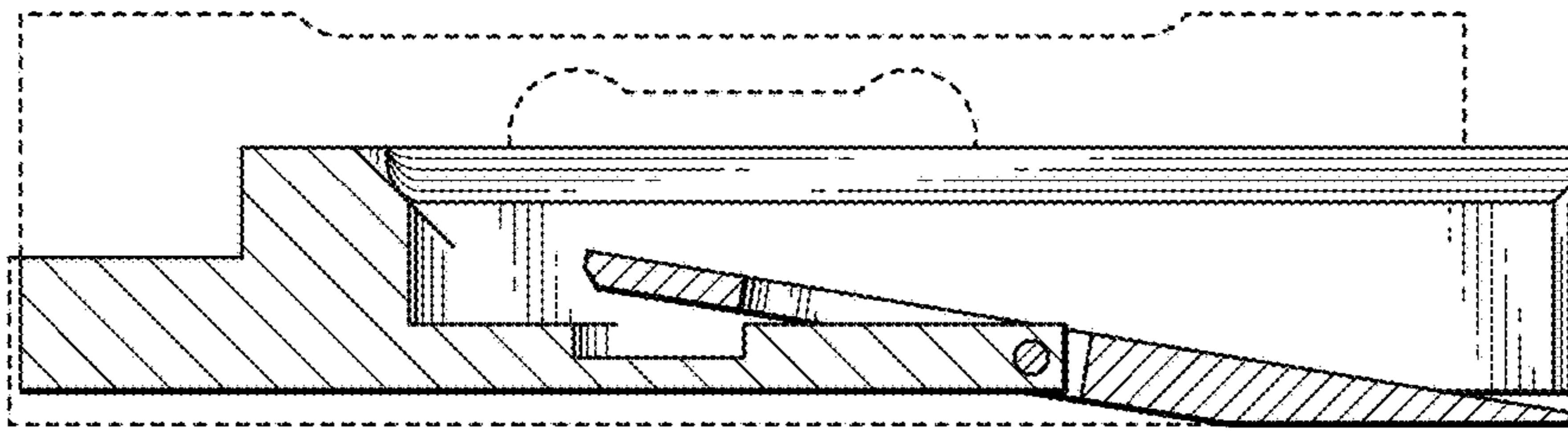


FIG. 10

