



US00D818382S

(12) **United States Design Patent**  
**Sato et al.**

(10) **Patent No.:** **US D818,382 S**

(45) **Date of Patent:** **\*\* May 22, 2018**

(54) **LOAD DETECTOR FOR BED**

(71) Applicant: **MINEBEA MITSUMI Inc.**, Nagano (JP)

(72) Inventors: **Kunihiko Sato**, Fujisawa (JP); **Norihito Iida**, Sagamihara (JP); **Jun Hatcho**, Kitasaku (JP); **Nobukazu Yokoi**, Fujisawa (JP)

(73) Assignee: **MINEBEA MITSUMI INC.**, Nagano (JP)

(\*\*) Term: **15 Years**

(21) Appl. No.: **29/595,386**

(22) Filed: **Feb. 28, 2017**

(30) **Foreign Application Priority Data**

Sep. 1, 2016 (JP) ..... 2016-018884

(51) **LOC (11) Cl.** ..... **10-06**

(52) **U.S. Cl.**  
USPC ..... **D10/106.6; D10/104.1; D10/87**

(58) **Field of Classification Search**  
USPC ..... D6/329, 348, 360, 362, 364, 365, 367, D6/371, 382, 512, 708, 708.24, 708.25, D6/709, 710; D10/46, 53, 82, 83, 87, 89, D10/91, 92, 102, 122, 123, 104.1, 106.1, D10/106.6, 121, 125; D15/199; D24/232  
CPC ..... G01G 3/08; G01G 3/02; G01G 19/44; G01G 19/46; G01G 19/4146; G08B 23/00  
See application file for complete search history.

(56) **References Cited**

**U.S. PATENT DOCUMENTS**

D371,263 S \* 7/1996 Liu ..... D6/708  
D423,971 S \* 5/2000 Elbinger ..... D10/106.1  
D424,962 S \* 5/2000 Dawn ..... D10/121  
D427,927 S \* 7/2000 Ross ..... D10/104.1

D431,943 S \* 10/2000 Lee ..... D6/716.1  
D447,486 S \* 9/2001 Goto ..... D14/447  
D467,390 S \* 12/2002 Lewis ..... D28/38  
D668,980 S \* 10/2012 Greenberg ..... D10/104.1  
D673,150 S \* 12/2012 Nelson, Jr. .... D14/385  
D693,256 S \* 11/2013 Chan ..... D10/85  
D693,718 S \* 11/2013 Romine ..... D10/121

(Continued)

**FOREIGN PATENT DOCUMENTS**

JP 2006252540 A \* 9/2006  
JP 2006266894 A \* 10/2006

(Continued)

*Primary Examiner* — Melanie H Tung

*Assistant Examiner* — Fritzgerald L Butac

(74) *Attorney, Agent, or Firm* — Pearne & Gordon LLP

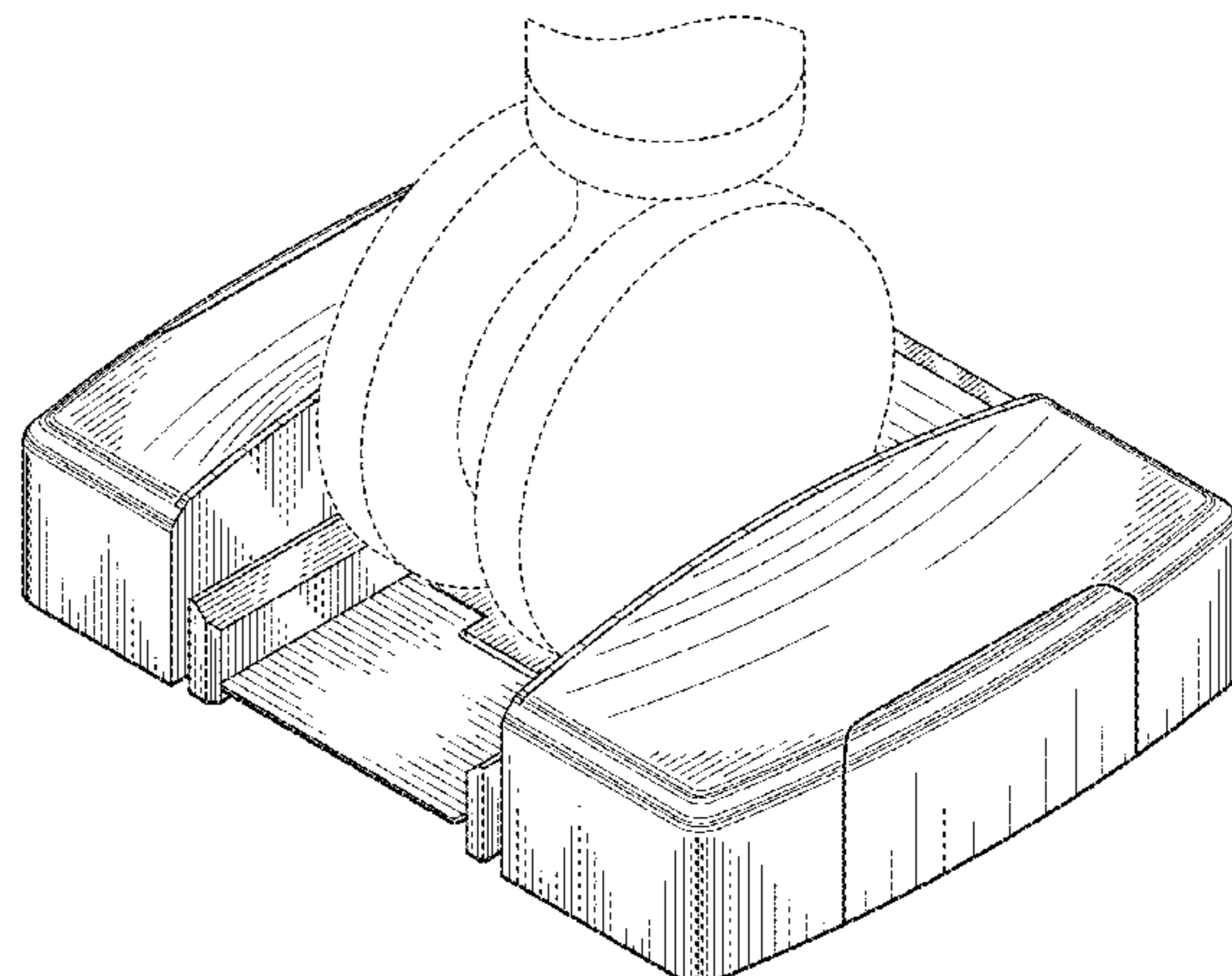
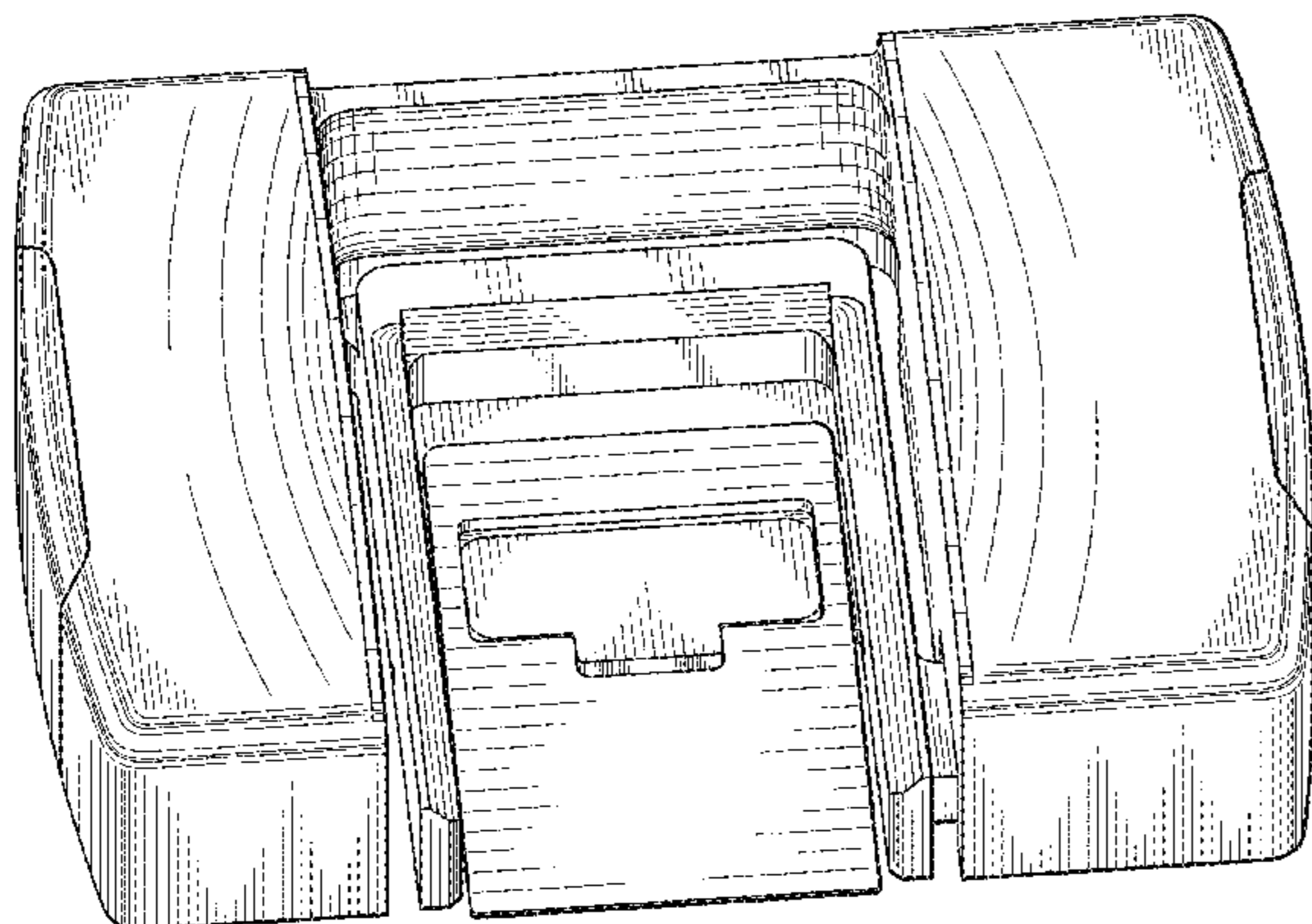
(57) **CLAIM**

The ornamental design for a load detector for bed, as shown and described.

**DESCRIPTION**

FIG. 1 is a front and top perspective view of a load detector for bed showing our new design;  
FIG. 2 is a rear and bottom perspective view thereof;  
FIG. 3 is a front elevational view thereof;  
FIG. 4 is a rear elevational view thereof;  
FIG. 5 is a right side elevational view thereof, the left side elevational view being a mirror image;  
FIG. 6 is a top plan view thereof;  
FIG. 7 is a bottom plan view thereof;  
FIG. 8 is a cross-sectional view taken along 8-8 in FIG. 3; and,  
FIG. 9 is a reference perspective view showing the load detector for bed in a use state, with the caster of the bed placed thereon.  
The broken lines in FIG. 9 depict the portions of the caster of the bed as environmental subject matter only and form no part of the claimed design.

**1 Claim, 8 Drawing Sheets**



(56)

**References Cited**

U.S. PATENT DOCUMENTS

D698,681 S \* 2/2014 Kosloski ..... D10/106.9  
D739,218 S \* 9/2015 Chang ..... D8/382  
D786,113 S \* 5/2017 Kucala ..... D10/106.1

FOREIGN PATENT DOCUMENTS

JP 2006302266 A \* 11/2006  
JP 2008012202 A \* 1/2008  
JP 2008065700 A \* 3/2008  
JP 2010148765 A \* 7/2010  
JP 2011056152 A \* 3/2011

\* cited by examiner

FIG. 1

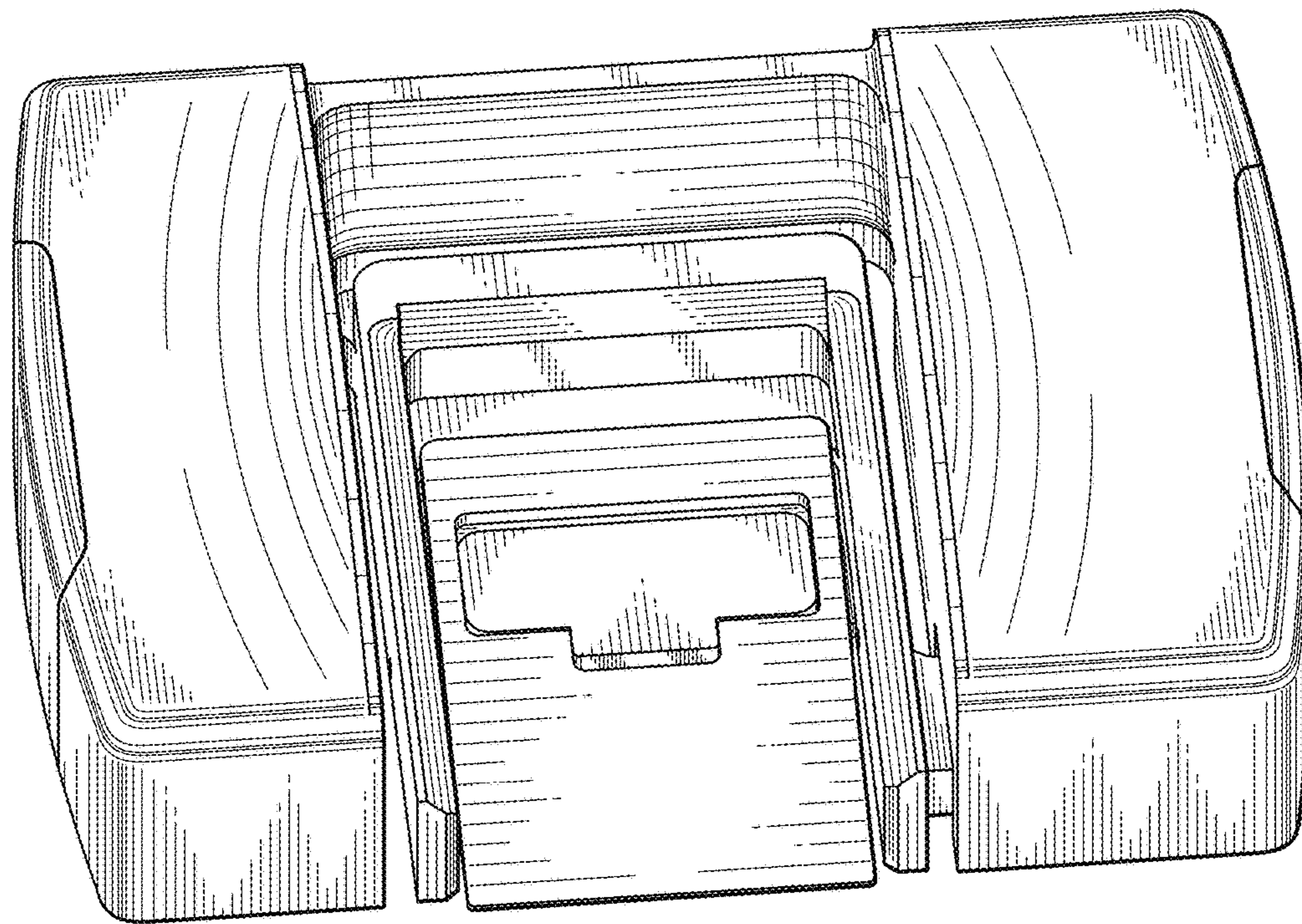


FIG. 2

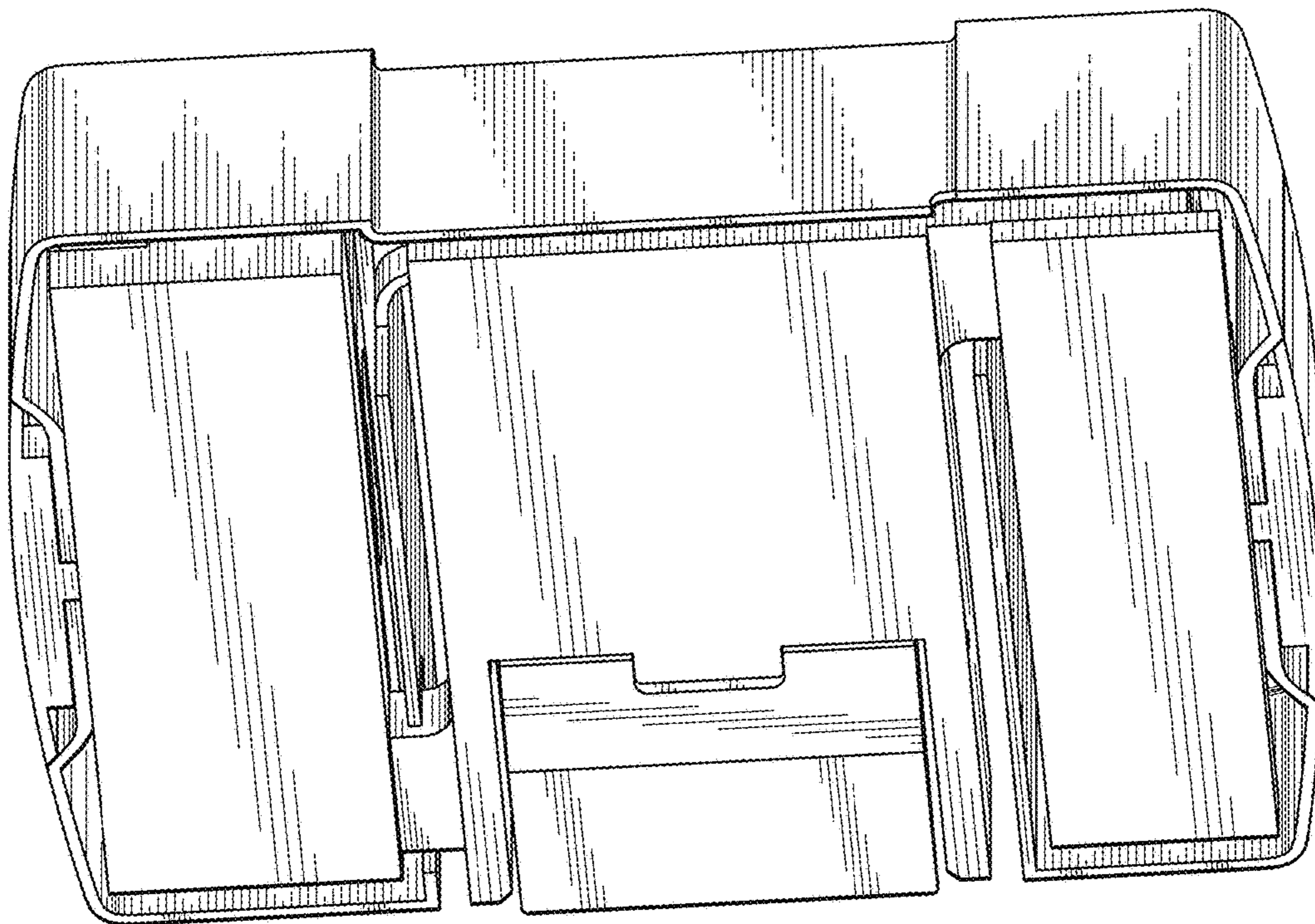


FIG. 3

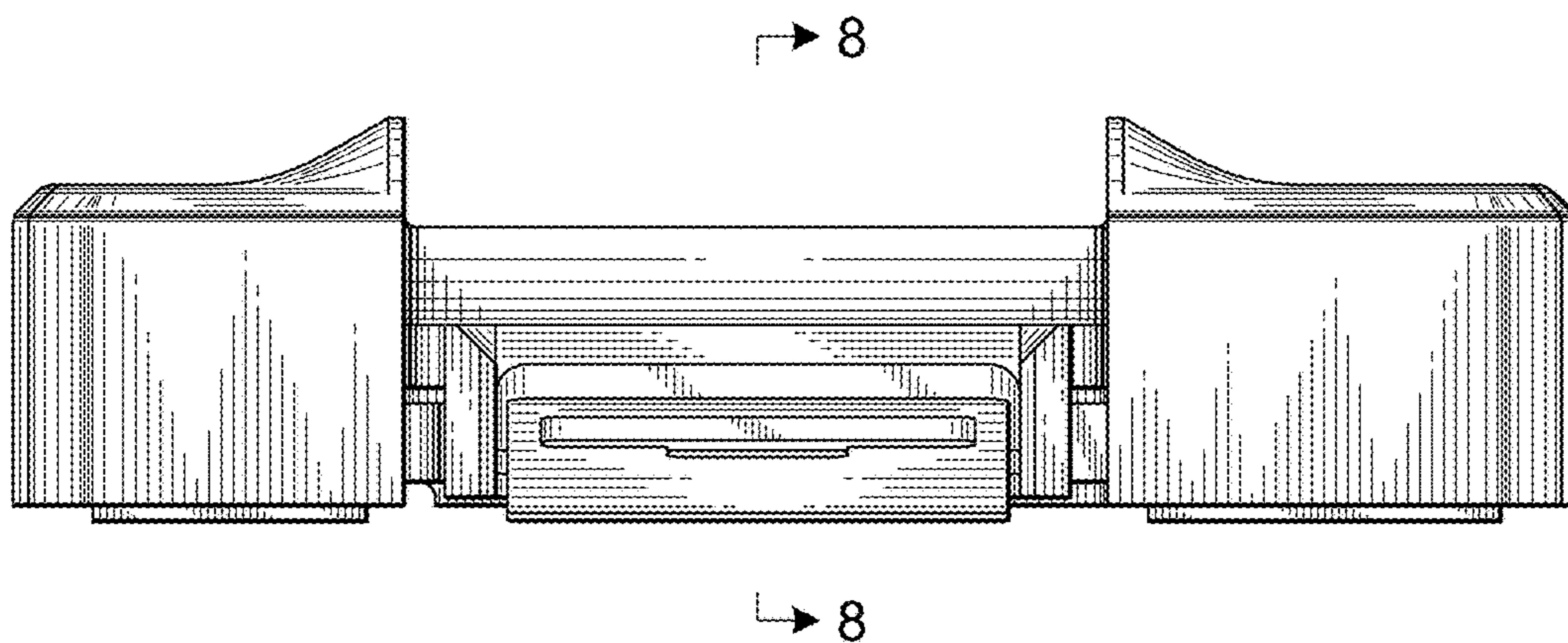
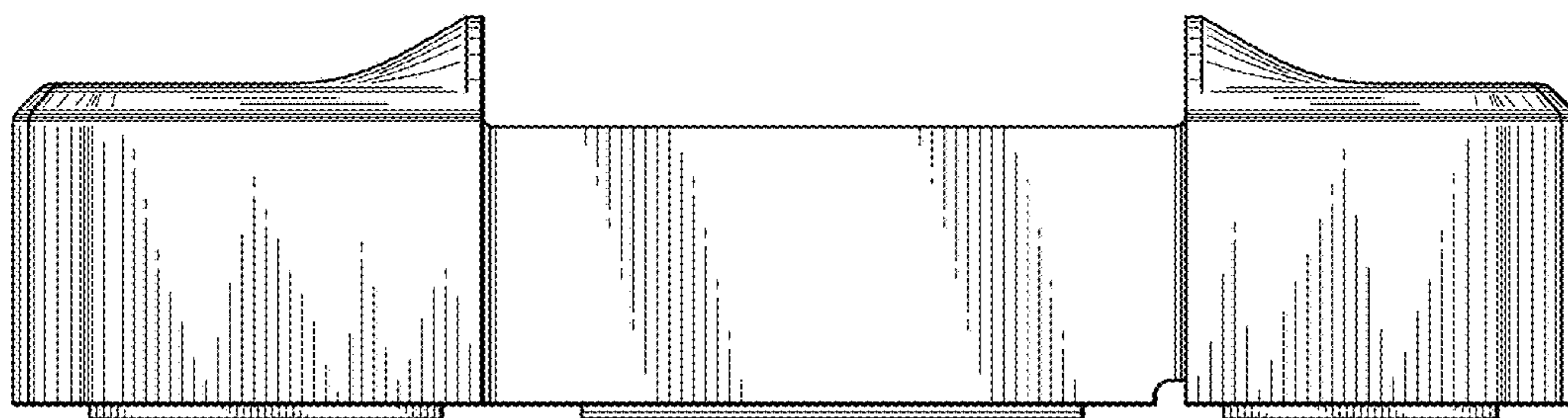


FIG. 4



*FIG. 5*

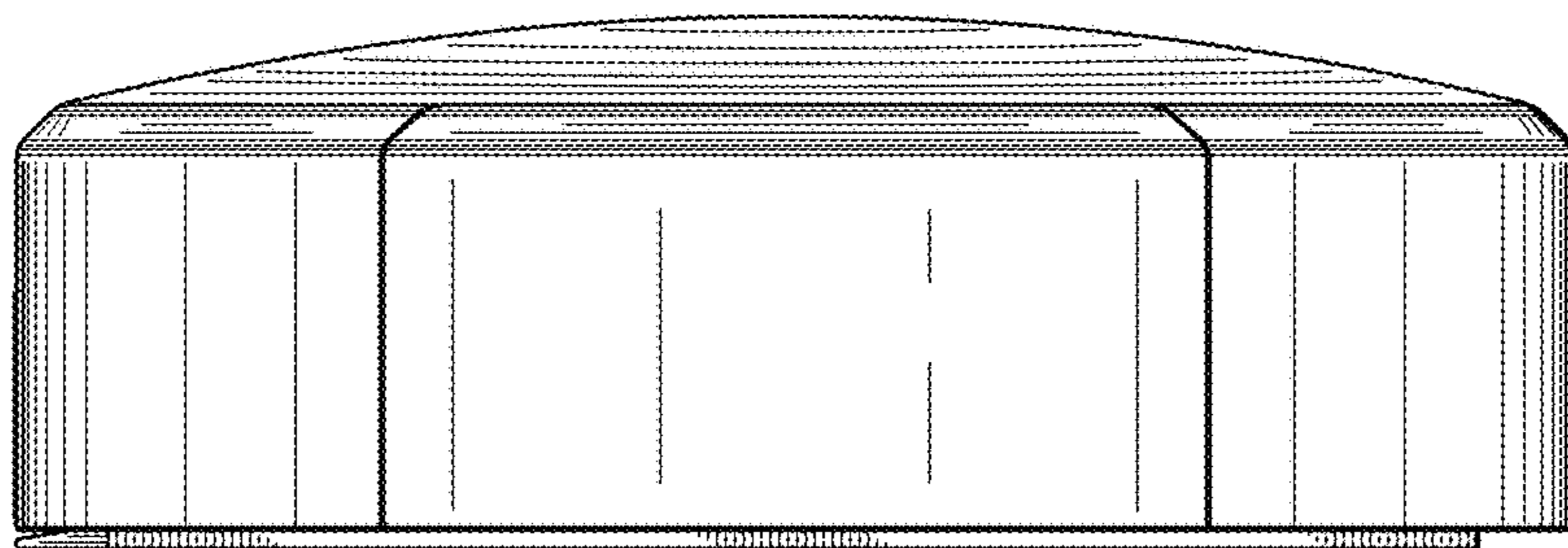


FIG. 6

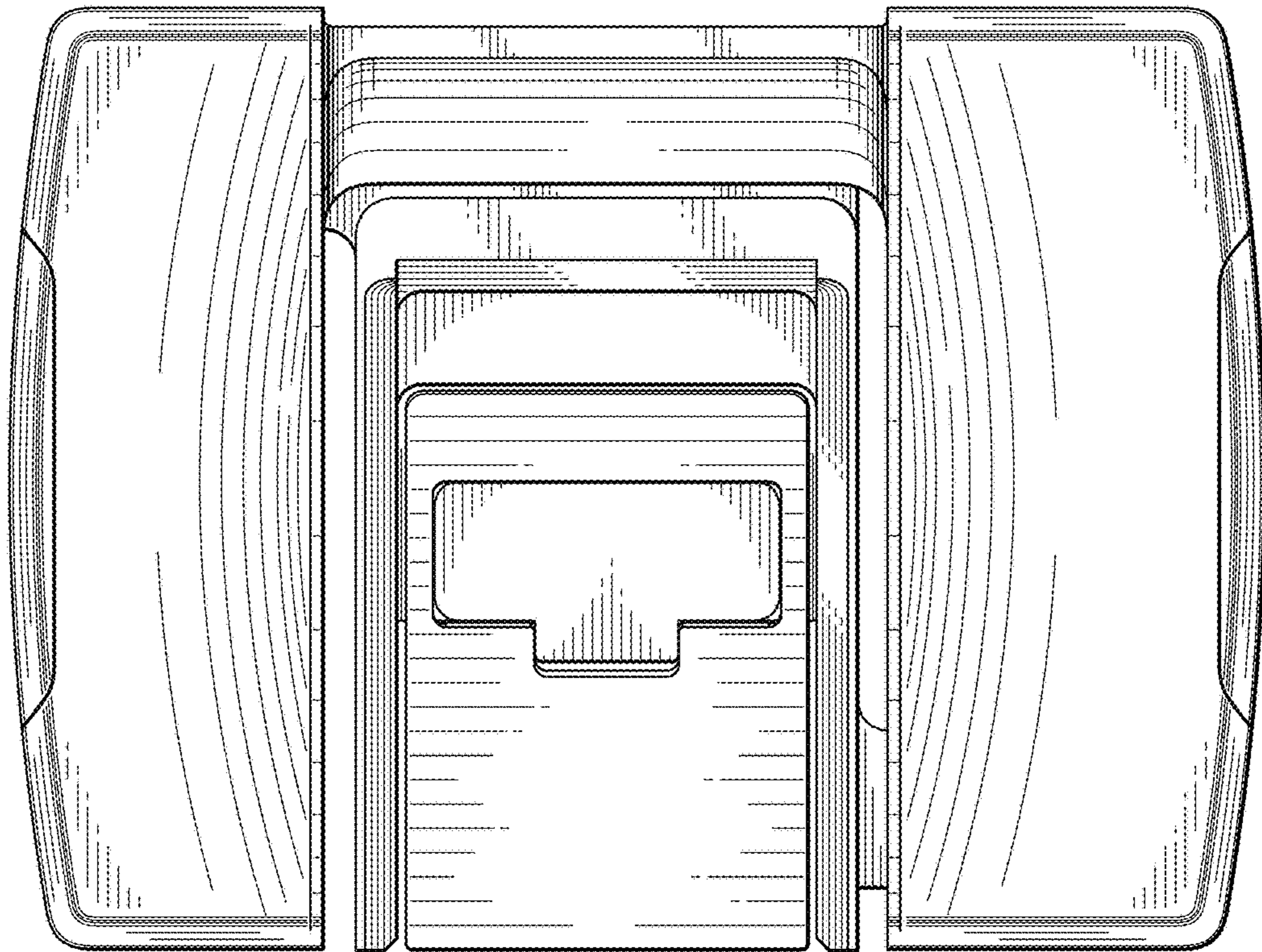


FIG. 7

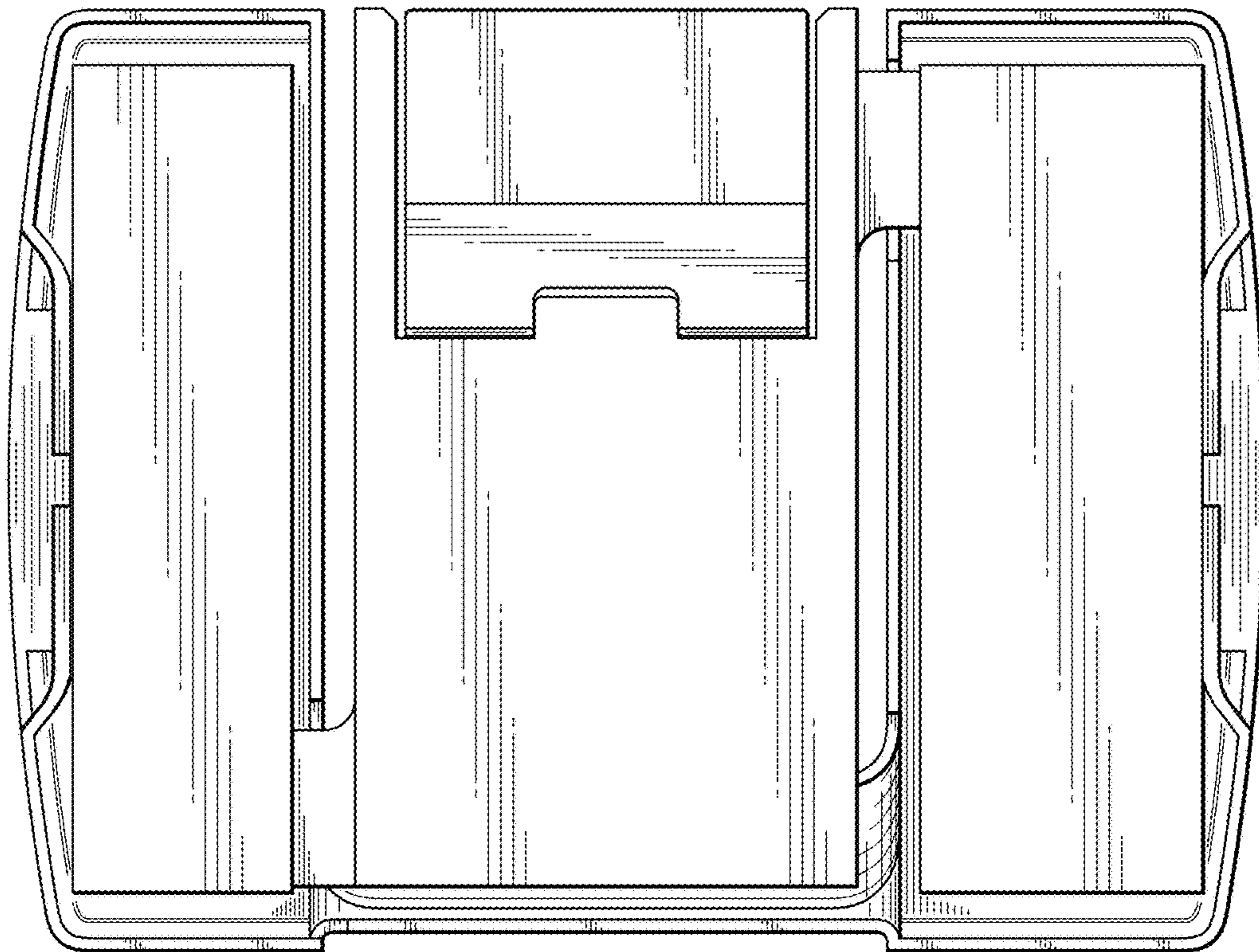




FIG. 8

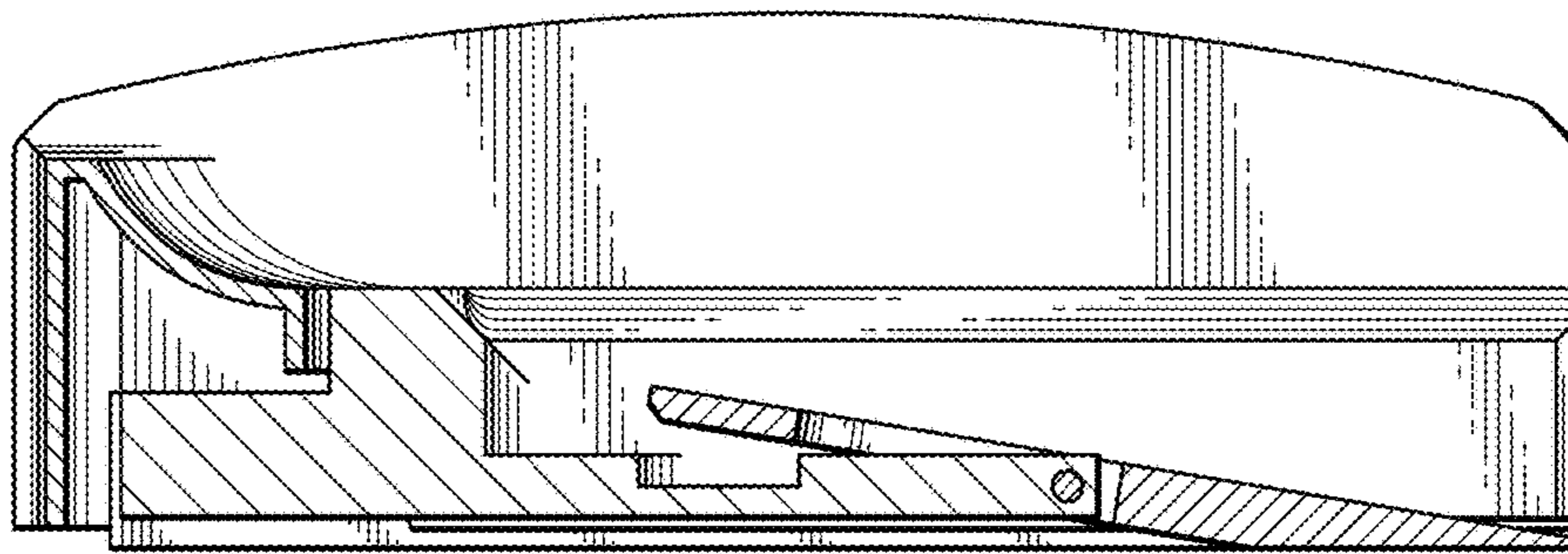


FIG. 9

