



US00D818380S

(12) **United States Design Patent** (10) **Patent No.:** **US D818,380 S**
Cummings (45) **Date of Patent:** **** May 22, 2018**

(54) **MEASURING TOOL**

(71) Applicant: **John Cummings**, South Elgin, IL (US)

(72) Inventor: **John Cummings**, South Elgin, IL (US)

(73) Assignee: **Nomis LLC**, Palatine, IL (US)

(**) Term: **15 Years**

(21) Appl. No.: **29/560,373**

(22) Filed: **Apr. 6, 2016**

(51) **LOC (11) Cl.** **10-04**

(52) **U.S. Cl.**

USPC **D10/65**; D10/46; D10/61; D10/70

(58) **Field of Classification Search**

USPC D10/61, 62, 63, 64, 65, 70, 71, 82;
D19/133

CPC G01B 3/00; G01B 3/02

See application file for complete search history.

(56) **References Cited**

U.S. PATENT DOCUMENTS

D248,864 S *	8/1978	Yen	D10/62
D259,545 S *	6/1981	Rocheleau	D10/65
D265,725 S *	8/1982	Ingram	D10/65
D269,415 S *	6/1983	Paton	D10/65
4,776,100 A	10/1988	Brumley		
D298,806 S *	12/1988	Tandy	D10/62
D304,808 S *	11/1989	Carithers, Jr.	D10/62
D308,644 S *	6/1990	Butler	D10/69
D311,341 S *	10/1990	Lewis	D10/62

(Continued)

OTHER PUBLICATIONS

AngLevel, posted on toplineinnovations.com, no posted date given, no production date given, [online], [site visited Apr. 7, 2017], Available from Internet, <URL: <http://www.toplineinnovations.com/>>.*

(Continued)

Primary Examiner — Melanie H Tung

Assistant Examiner — Fritzgerald L Butac

(74) *Attorney, Agent, or Firm* — Reinhart Boerner Van Deuren P.C.

(57) **CLAIM**

I claim the ornamental design for the measuring tool, as shown and described.

DESCRIPTION

FIG. 1 is a first top perspective view of the measuring tool; FIG. 2 is a second top perspective view of the measuring tool opposite FIG. 1;

FIG. 3 is a first bottom perspective view of the measuring tool;

FIG. 4 is a second bottom perspective view of the measuring tool, opposite FIG. 3;

FIG. 5 is a top view of the measuring tool;

FIG. 6 is a bottom view of the measuring tool;

FIG. 7 is a front view of the measuring tool;

FIG. 8 is a rear view of the measuring tool;

FIG. 9 is a side view of the measuring tool;

FIG. 10 is a side view of the measuring tool showing the side opposite that shown in FIG. 9;

FIG. 11 is a top view of the measuring tool, on a reduced scale;

FIG. 12 is a top view of the measuring tool, on a reduced scale;

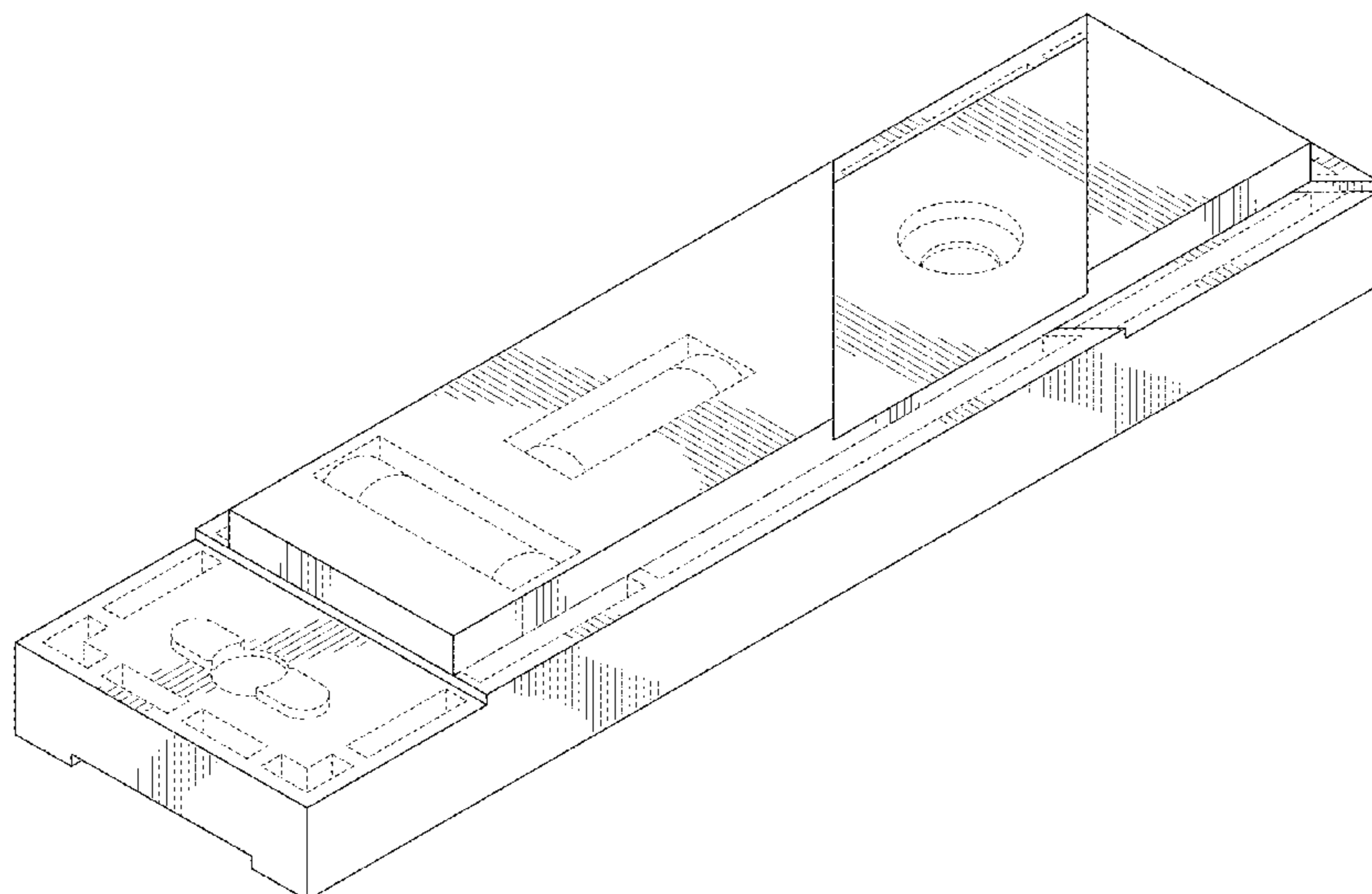
FIG. 13 is a top view of the measuring tool, on a reduced scale; and,

FIG. 14 is a bottom view of the measuring tool, on a reduced scale.

The broken lines showing of a rule in FIGS. 11-14 form no part of the claimed design. The other broken lines show portions of the measuring tool that form no part of the claimed design.

The “dash-dot-dash” broken lines define the bounds of the claimed design and form no part thereof.

1 Claim, 12 Drawing Sheets



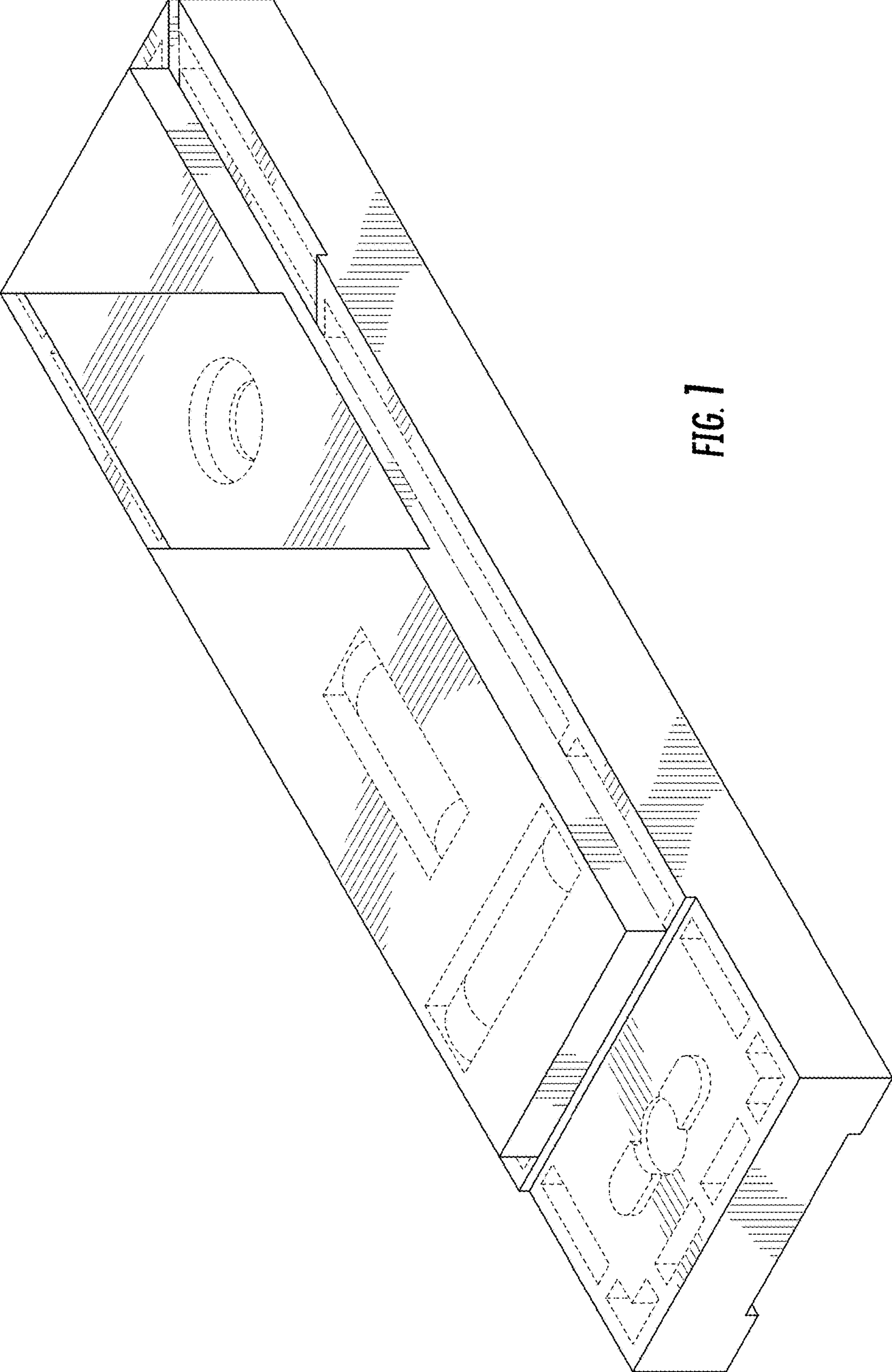


FIG. 1

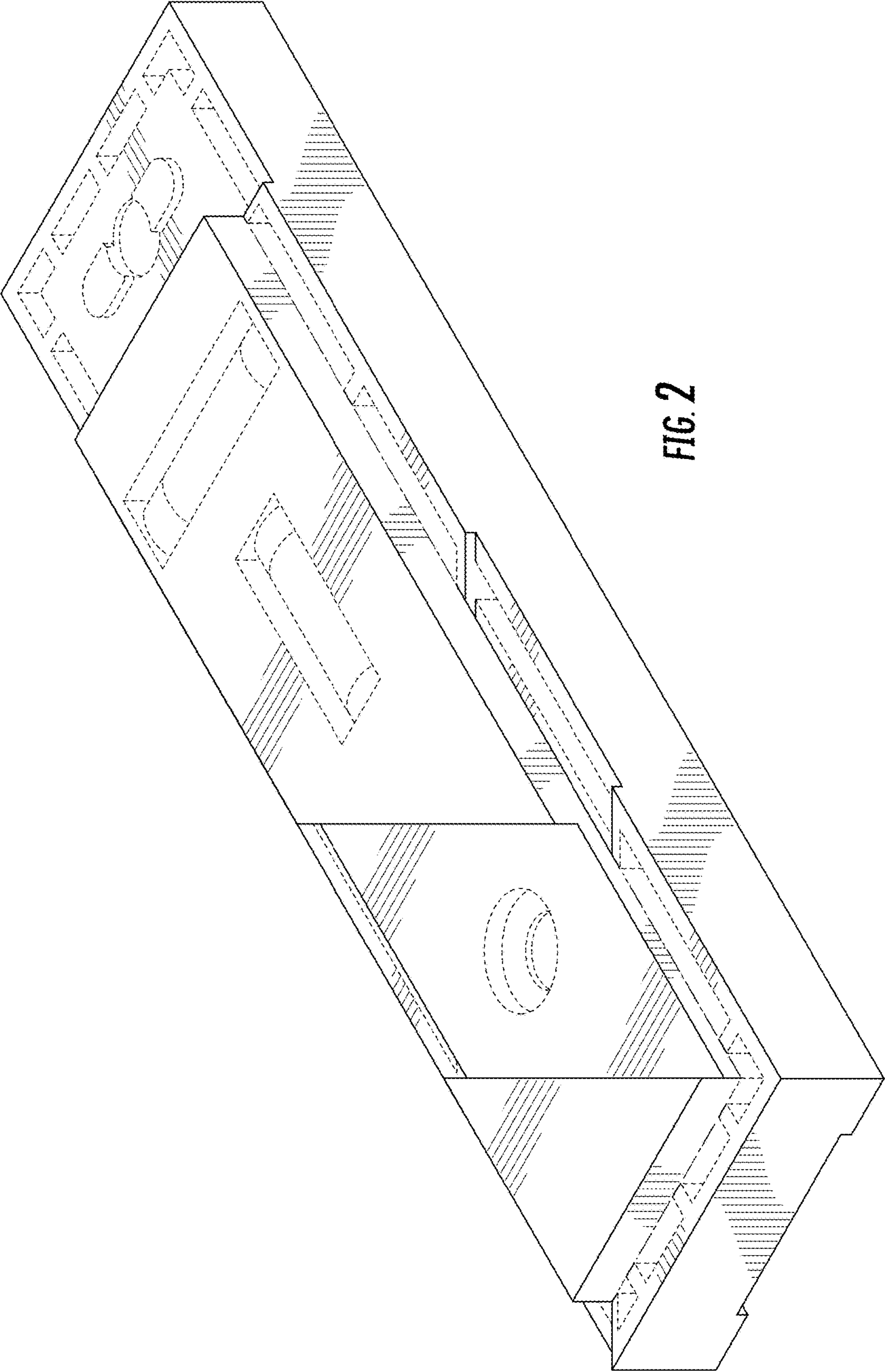


FIG. 2

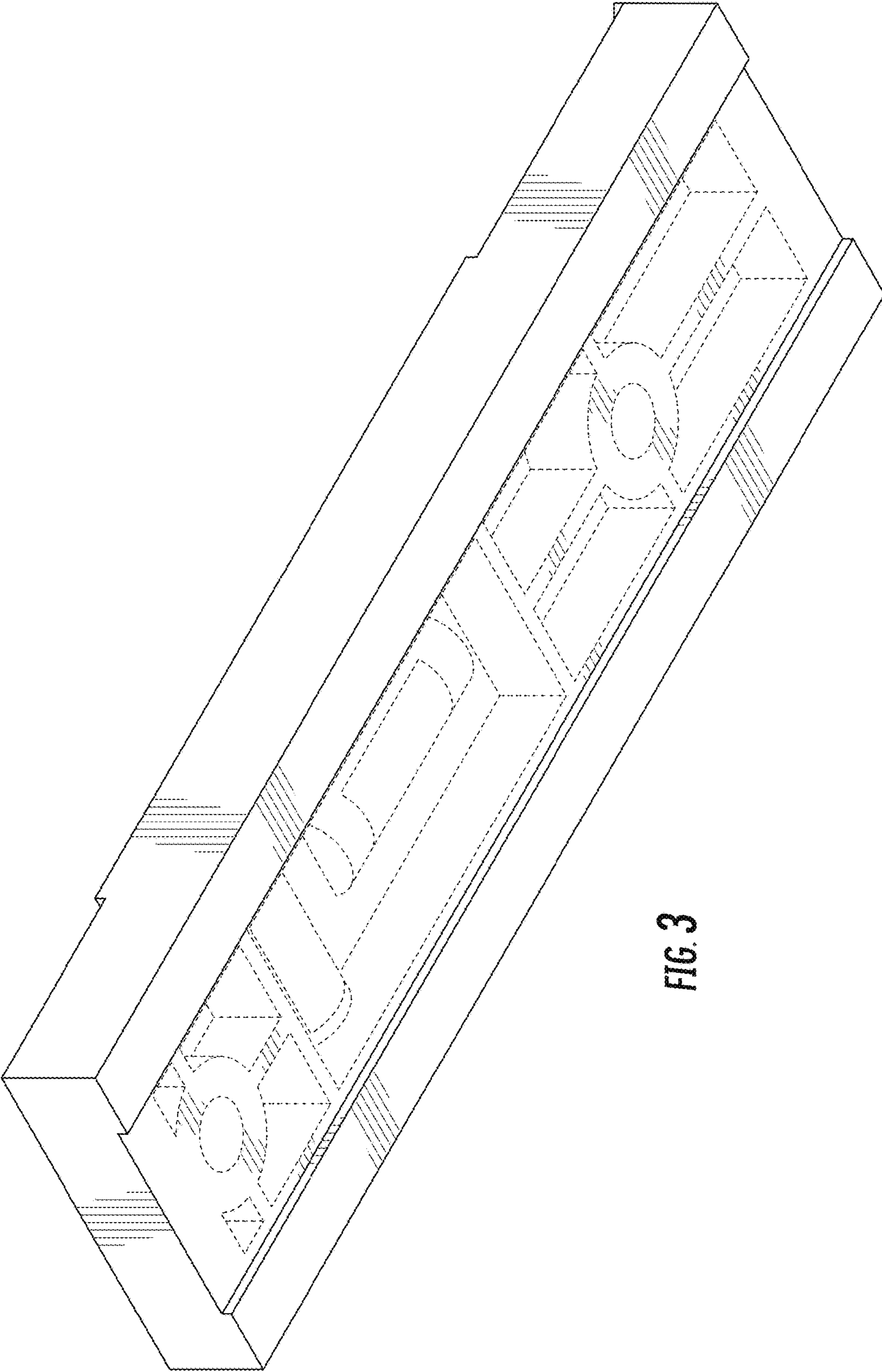


FIG. 3

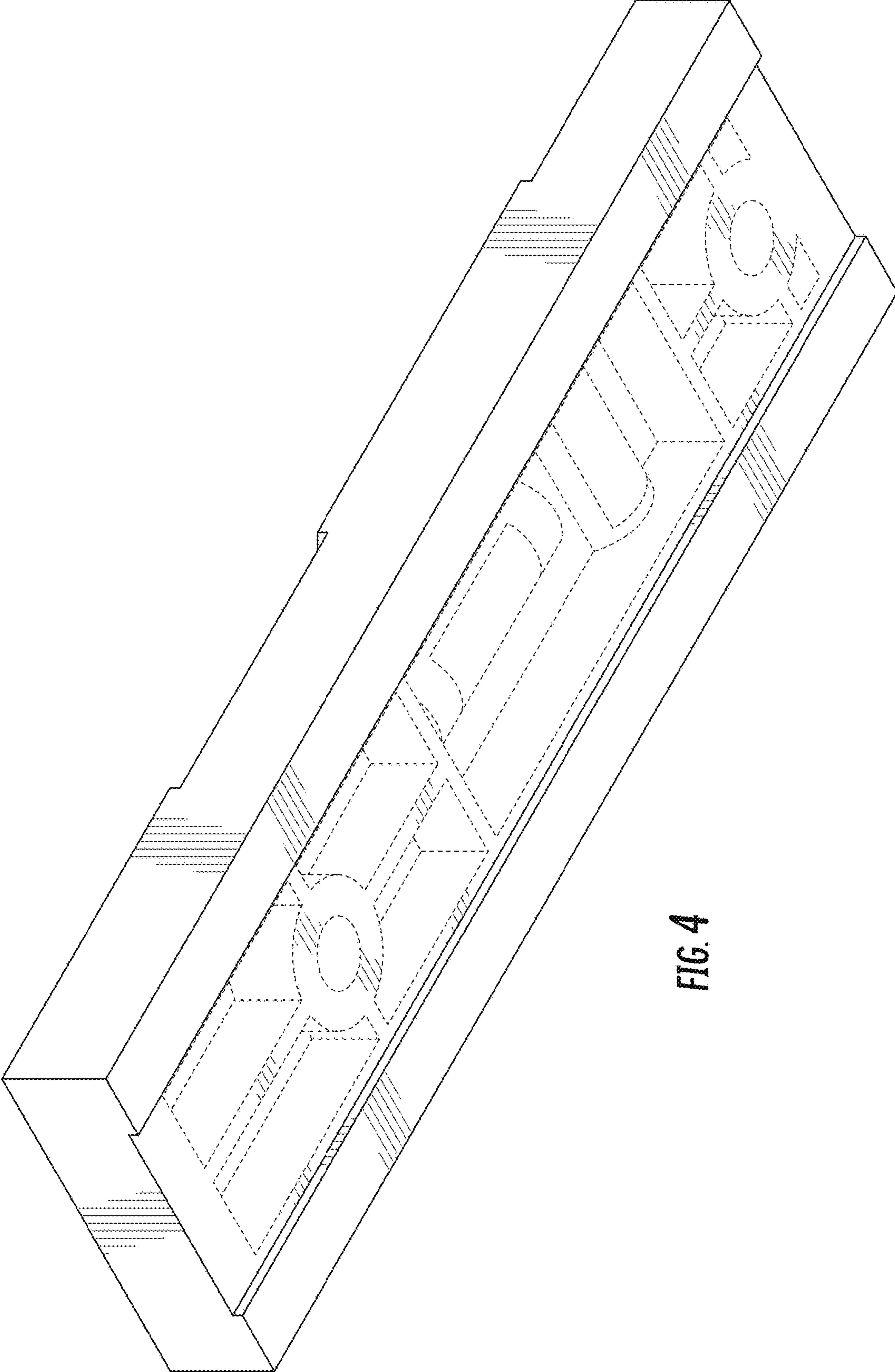


FIG. 4

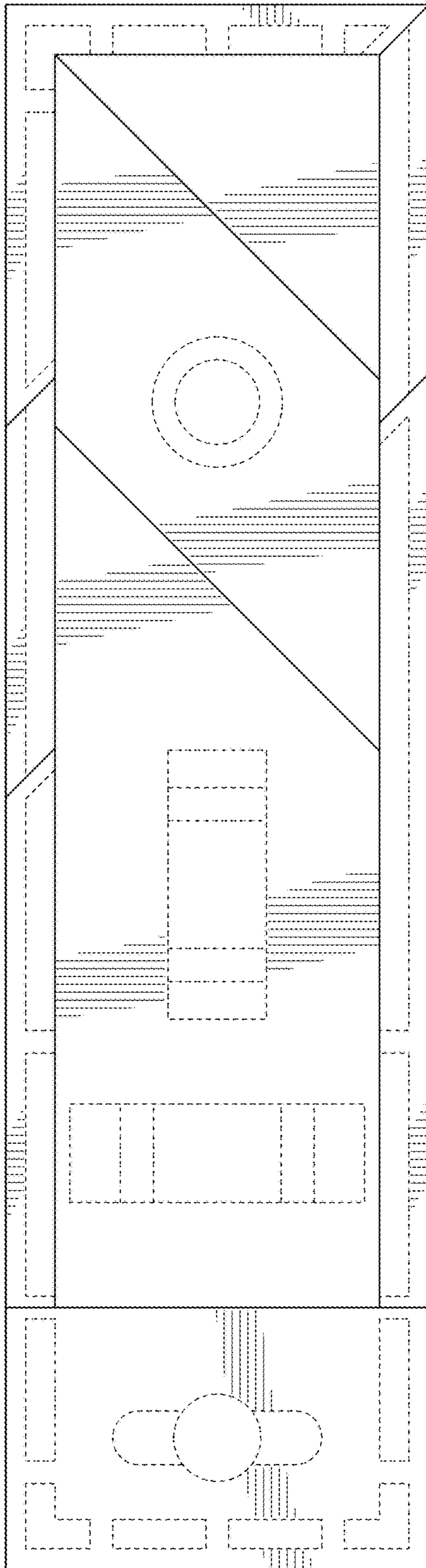


FIG. 5

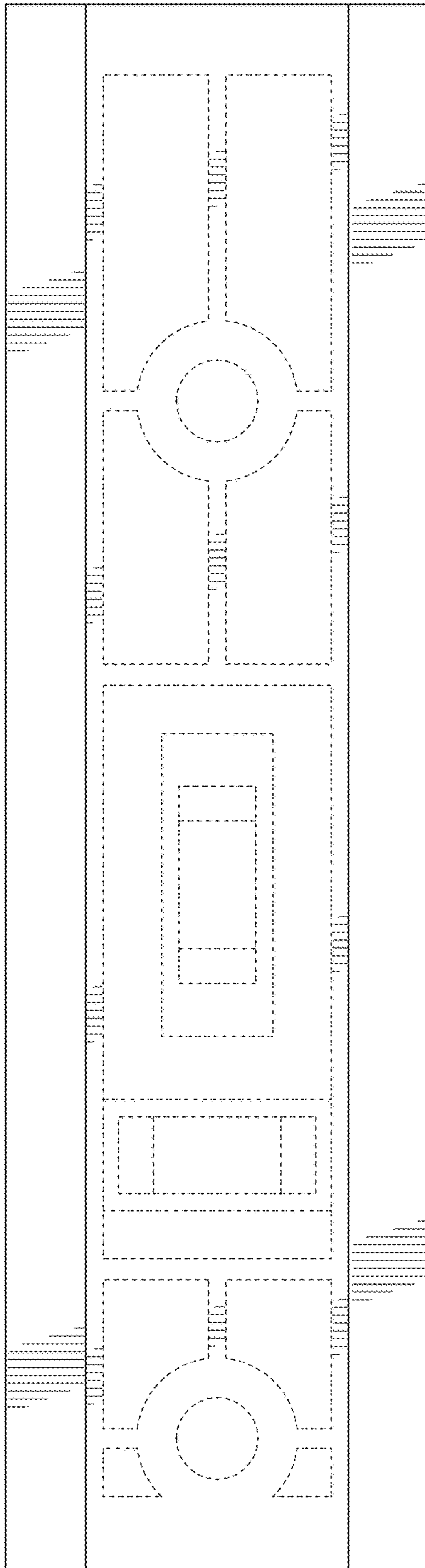


FIG. 6

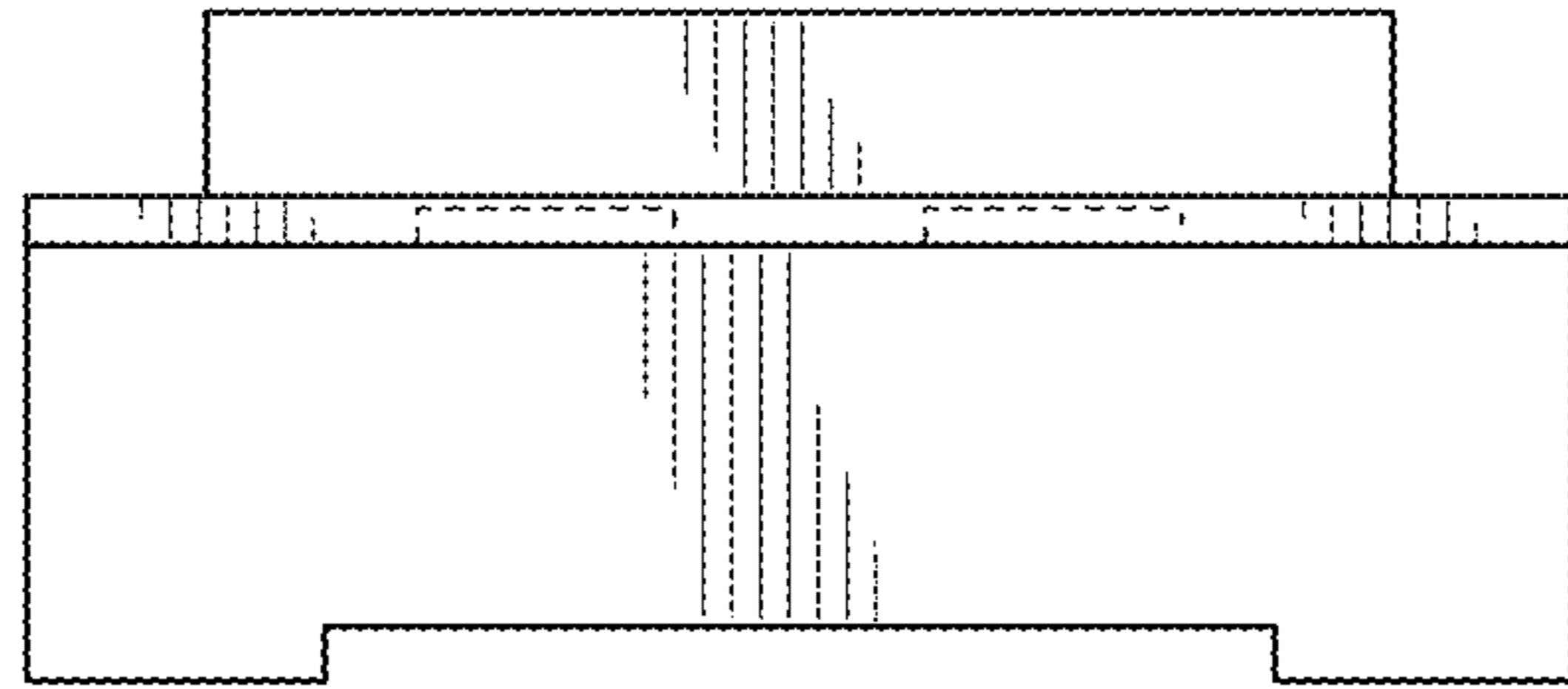


FIG. 7

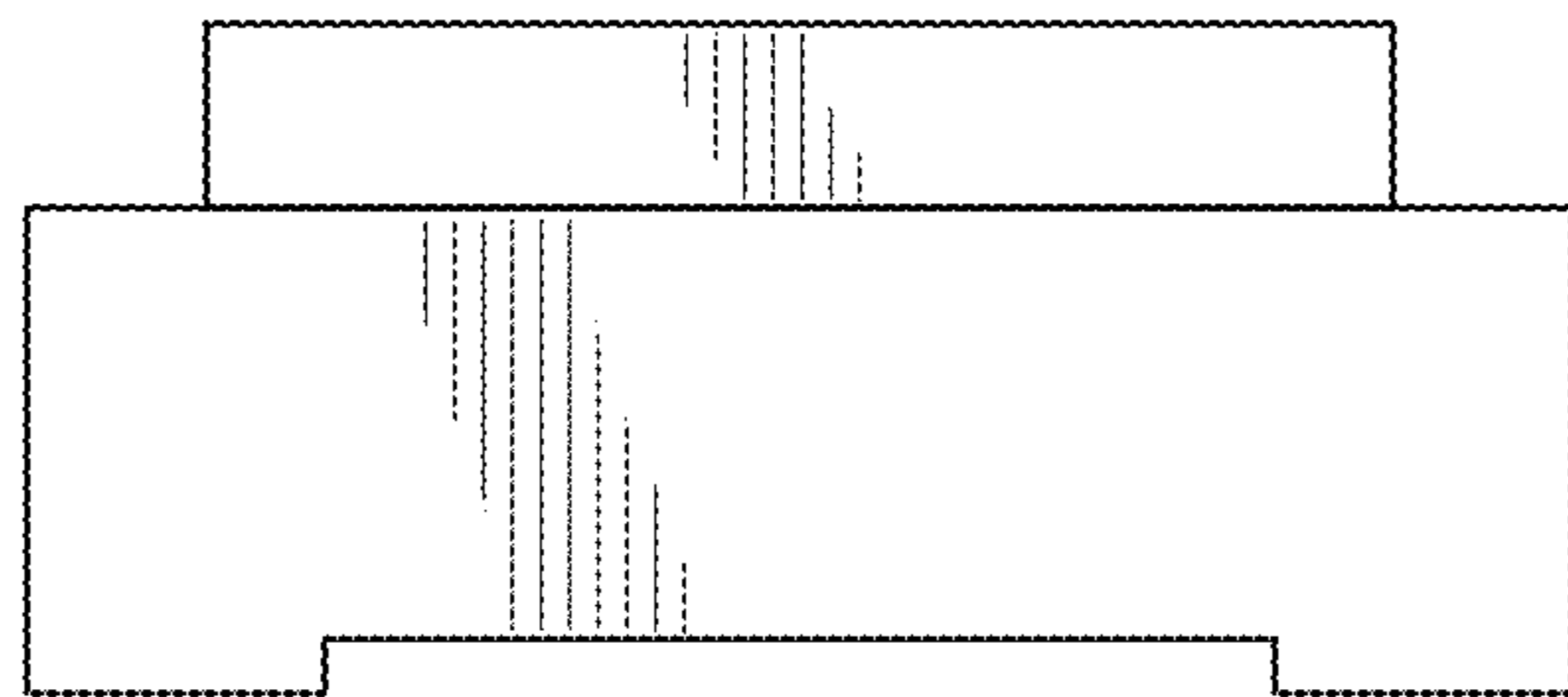


FIG. 8

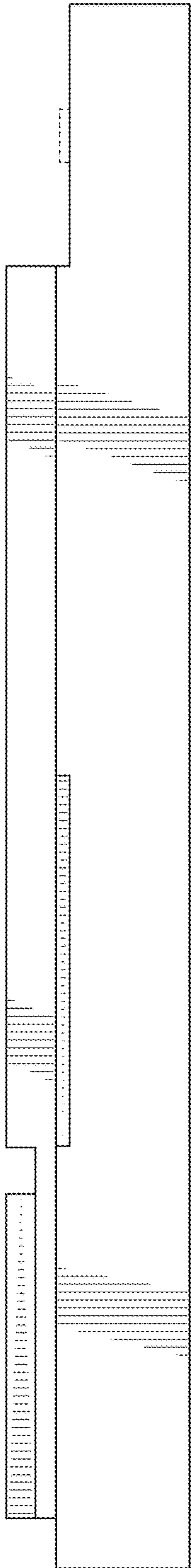


FIG. 9

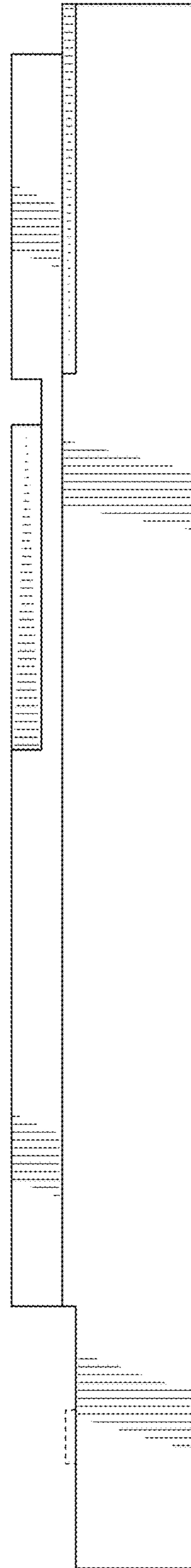


FIG. 10

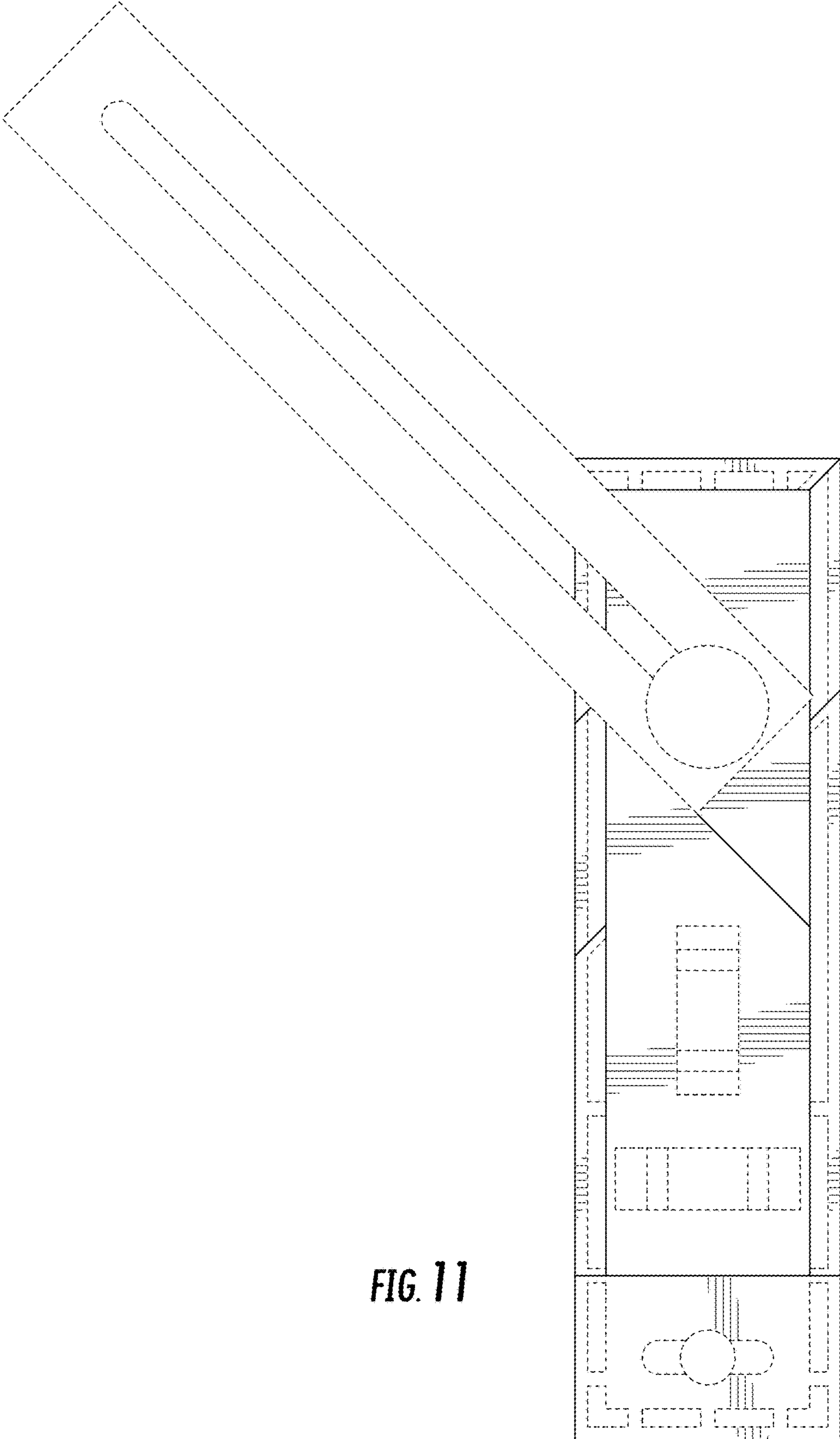


FIG. 11

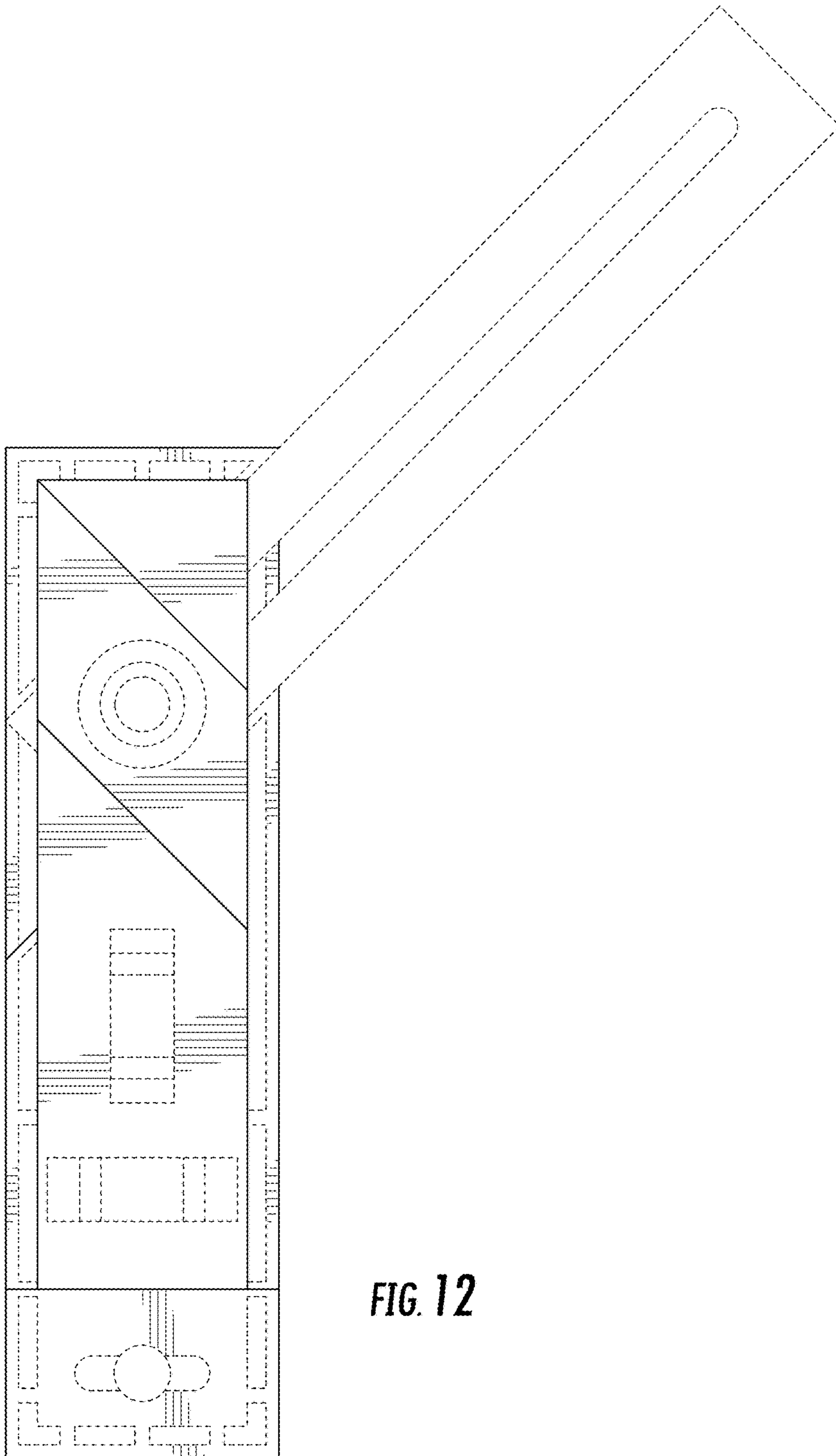


FIG. 12

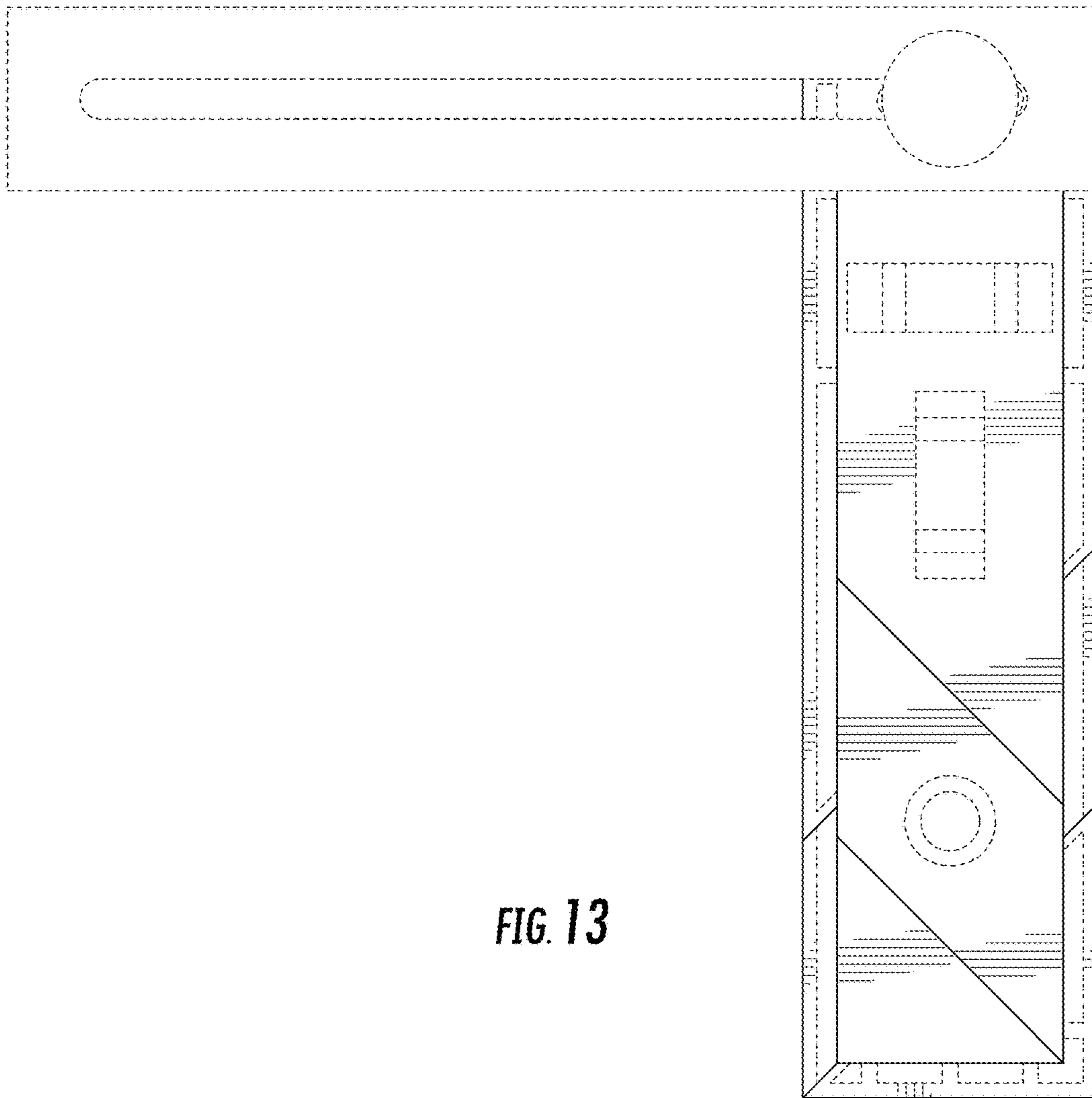


FIG. 13

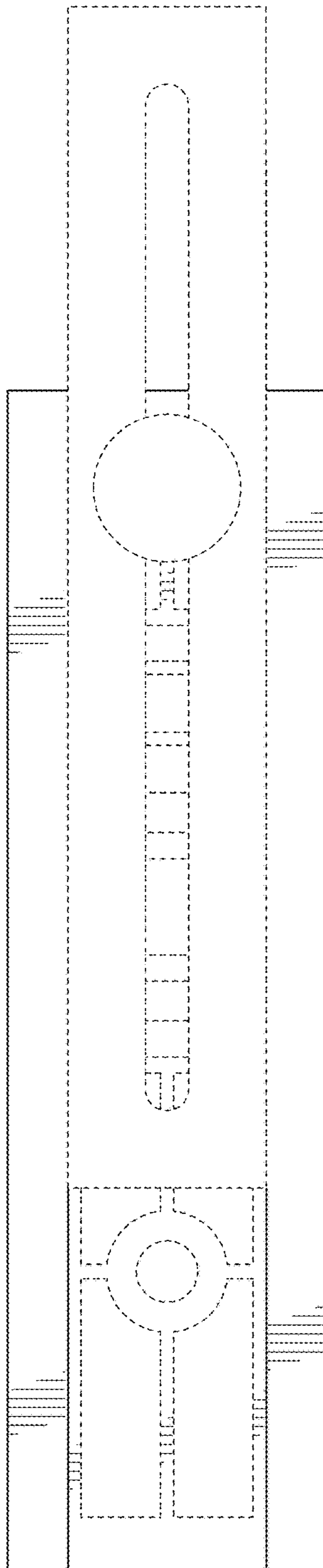


FIG. 14