



US00D818379S

(12) **United States Design Patent**
Abreu

(10) **Patent No.:** **US D818,379 S**
(45) **Date of Patent:** **** May 22, 2018**

(54) **THERMOMETER CONFIGURED TO MEASURE THE TEMPERATURE OF A BTT TERMINUS**

D755,062 S * 5/2016 Yarden D10/57
9,442,024 B2 * 9/2016 Shih G01J 5/047
9,791,324 B2 * 10/2017 Durant G01K 1/20
D804,332 S * 12/2017 Lim D10/57

(71) Applicant: **GEELUX HOLDINGS, LTD.**, Tortola (VG)

* cited by examiner

(72) Inventor: **Marcio Marc Abreu**, Bridgeport, CT (US)

Primary Examiner — Antoine Duval Davis

(73) Assignee: **GEELUX HOLDINGS, LTD.**, Tortola (VG)

(74) *Attorney, Agent, or Firm* — Studebaker & Brackett PC

(**) Term: **15 Years**

(57) **CLAIM**

(21) Appl. No.: **29/592,112**

The ornamental design for a thermometer configured to measure the temperature of a btt terminus, as shown and described.

(22) Filed: **Jan. 26, 2017**

(51) **LOC (11) Cl.** **10-04**

(52) **U.S. Cl.**
USPC **D10/57**

(58) **Field of Classification Search**
USPC D10/57
CPC G01K 1/02; G01K 1/022; G01K 1/024;
G01K 1/08; G01K 1/083; G01K 1/086;
G01K 3/00-3/14; G01K 2003/145; G01K
13/002; G01K 13/004; G01K 2219/00;
G01K 5/04-5/225; G01K 5/22; G01K
221/00

See application file for complete search history.

DESCRIPTION

FIG. 1 is a front perspective view showing my new design for a thermometer configured to measure the temperature of a btt terminus,

FIG. 2 is a top view thereof,

FIG. 3 is a bottom view thereof,

FIG. 4 is a front view thereof,

FIG. 5 is a rear view thereof,

FIG. 6 is a right side view thereof,

FIG. 7 is a left side view thereof, and,

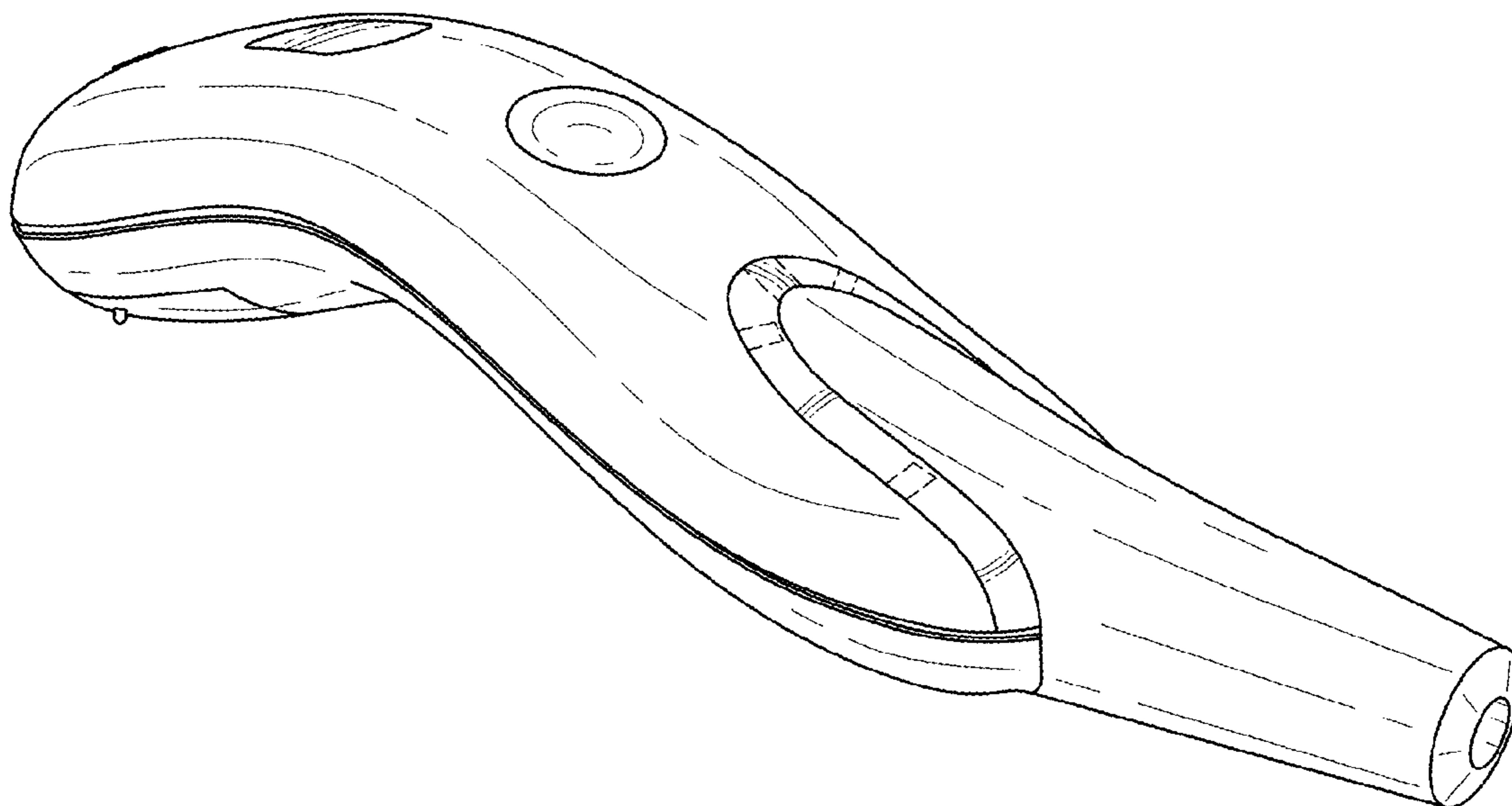
FIG. 8 is an exploded view thereof.

(56) **References Cited**

U.S. PATENT DOCUMENTS

6,056,435 A * 5/2000 Pompei G01J 5/0022
374/133
7,320,544 B2 * 1/2008 Hsieh G01K 1/16
374/163

1 Claim, 5 Drawing Sheets



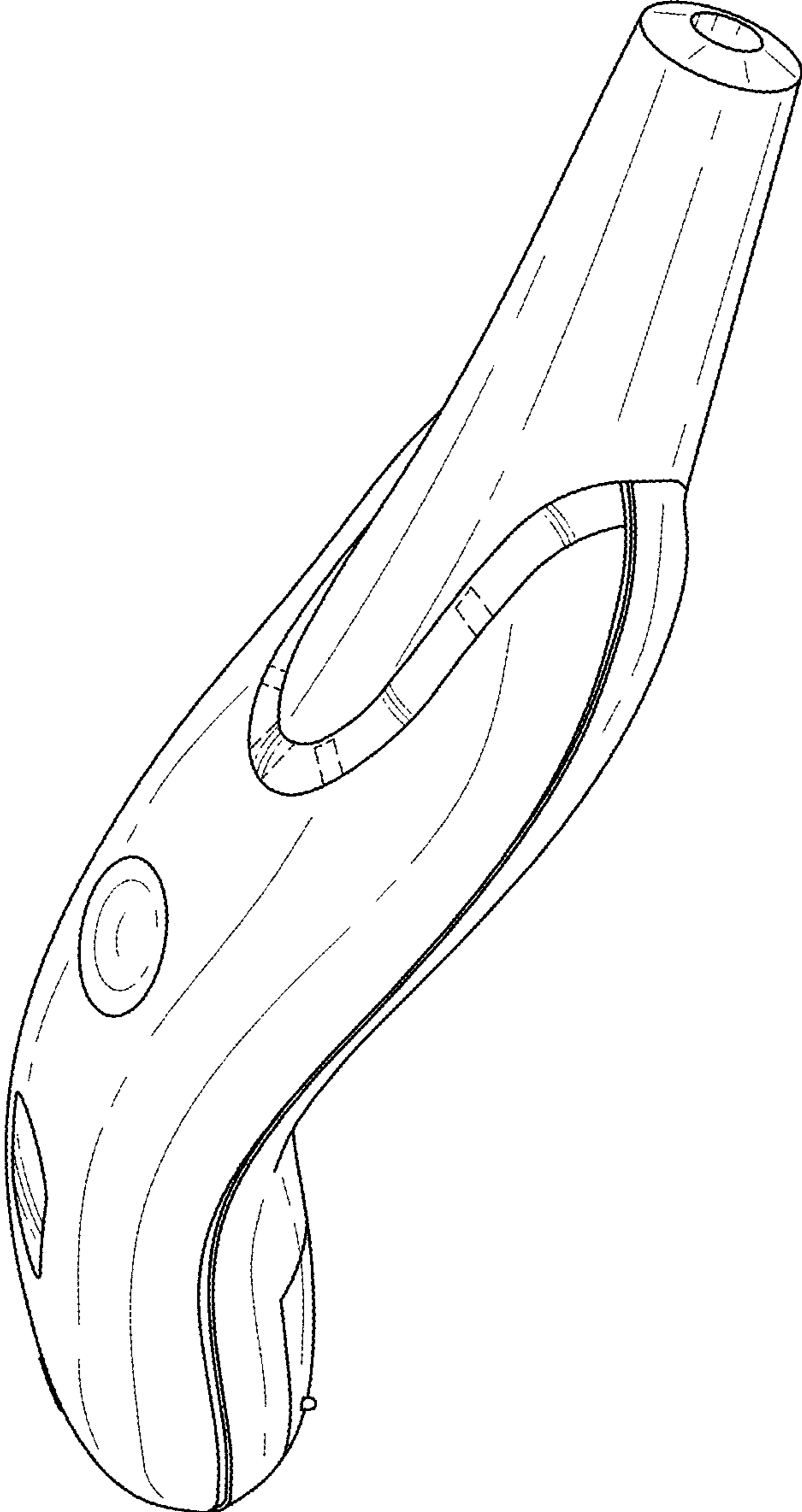


FIG. 1

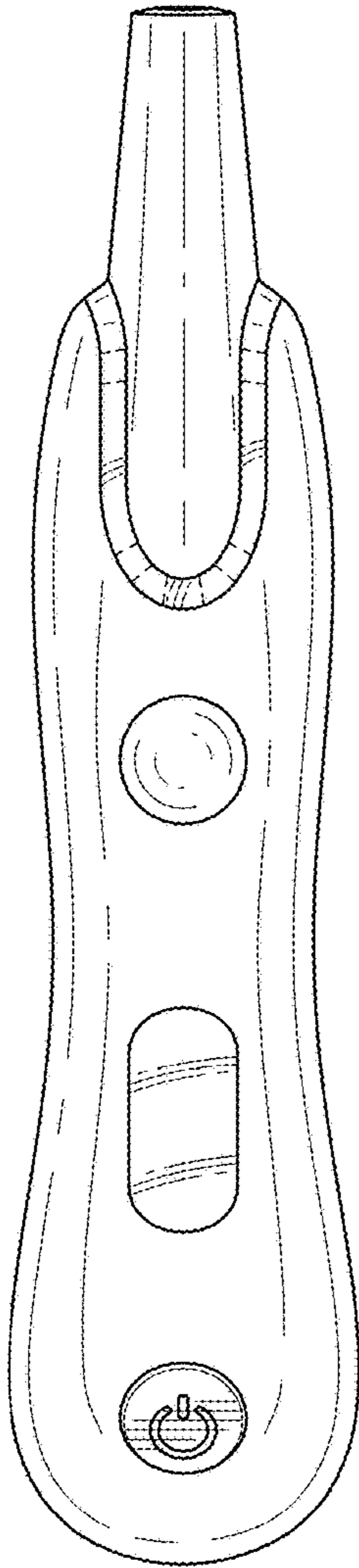


FIG. 2

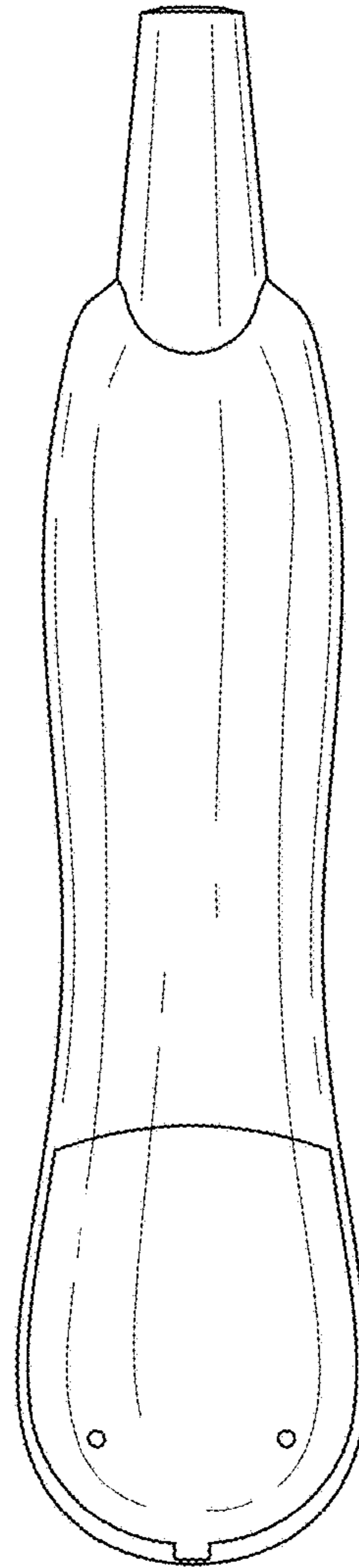


FIG. 3

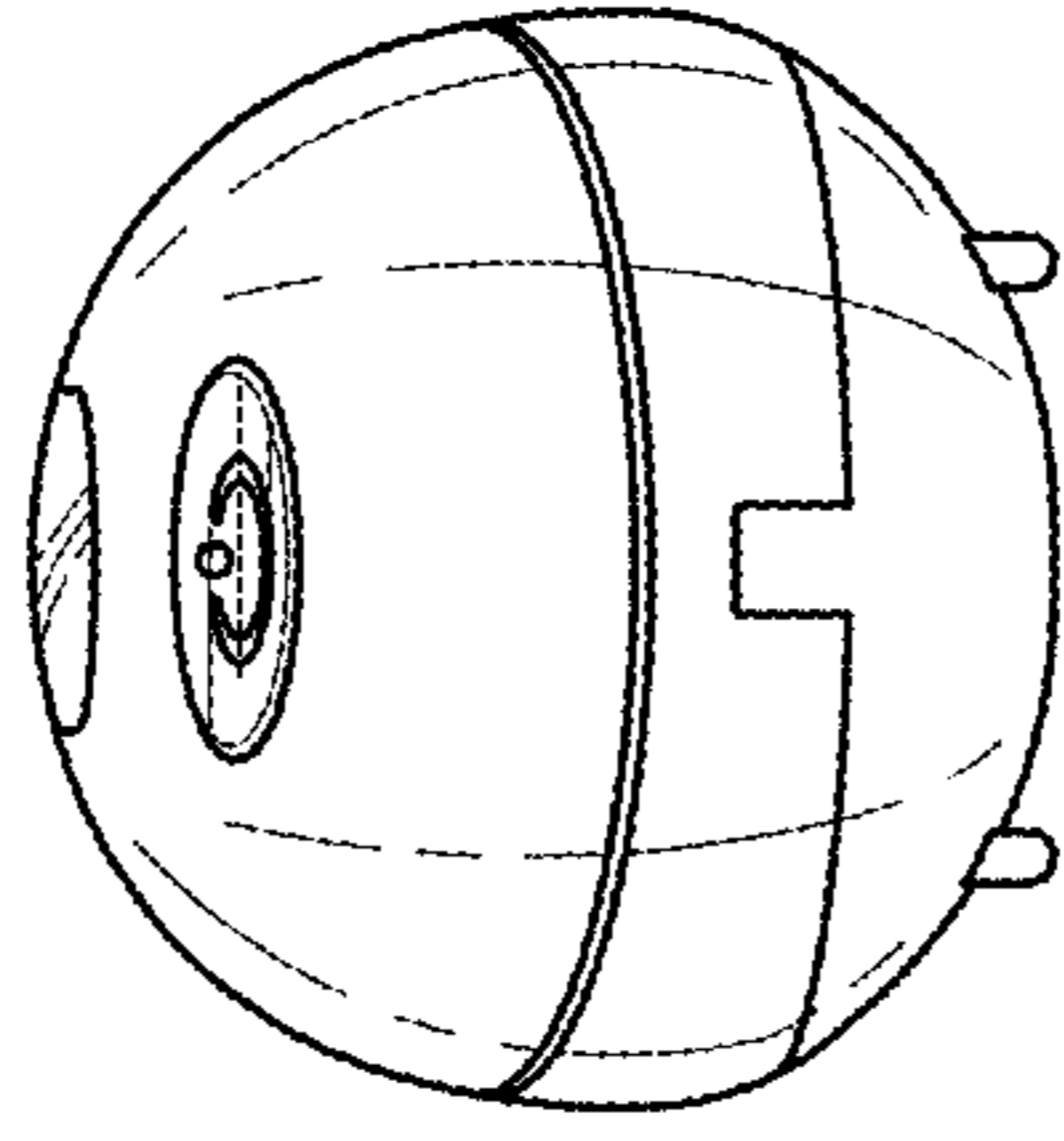


FIG. 5

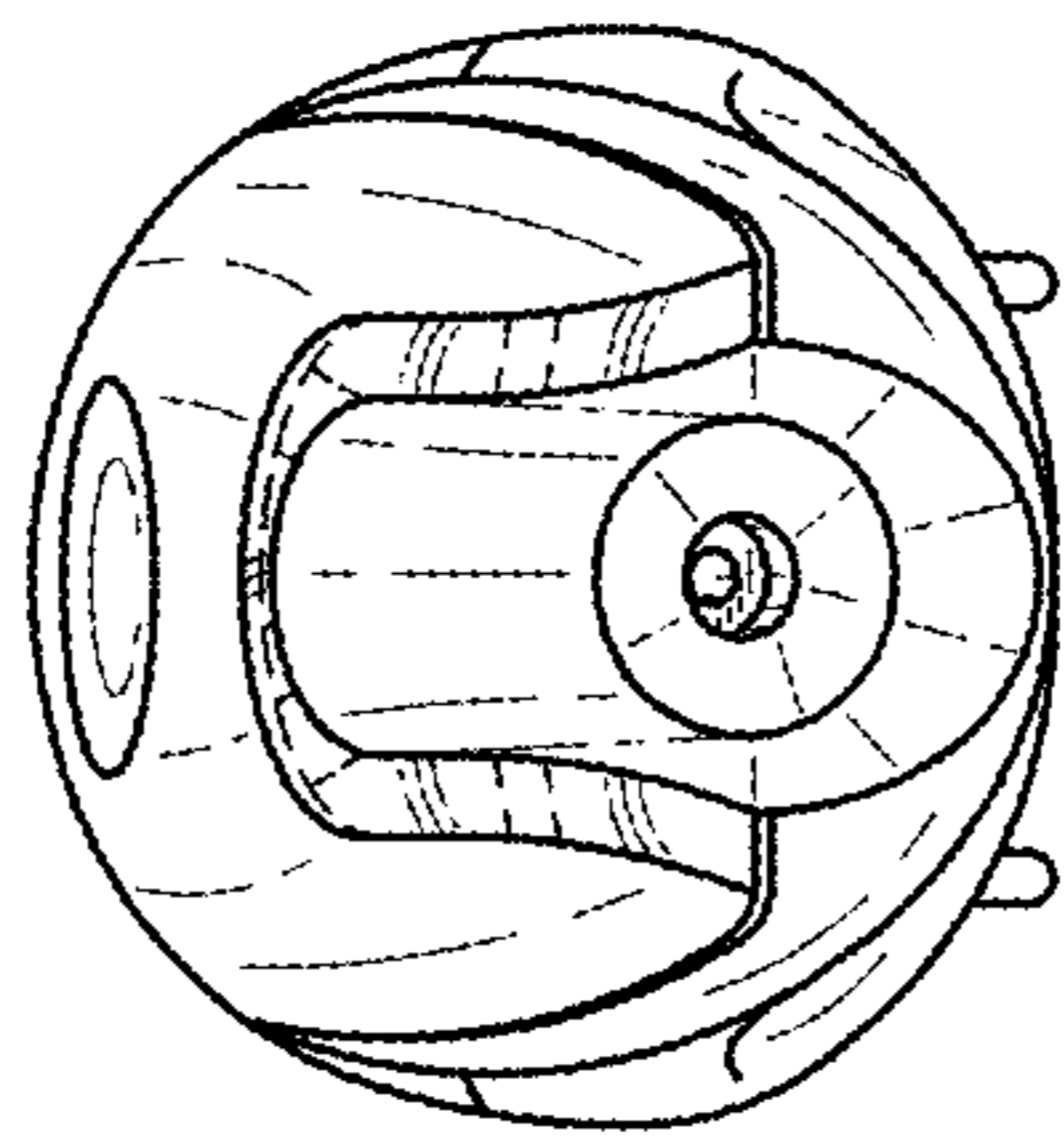


FIG. 4

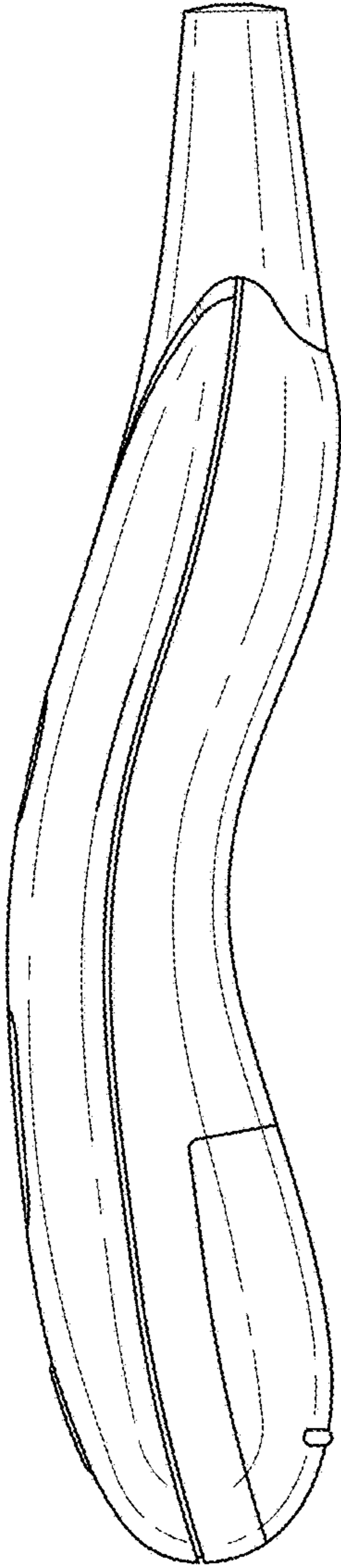


FIG. 6

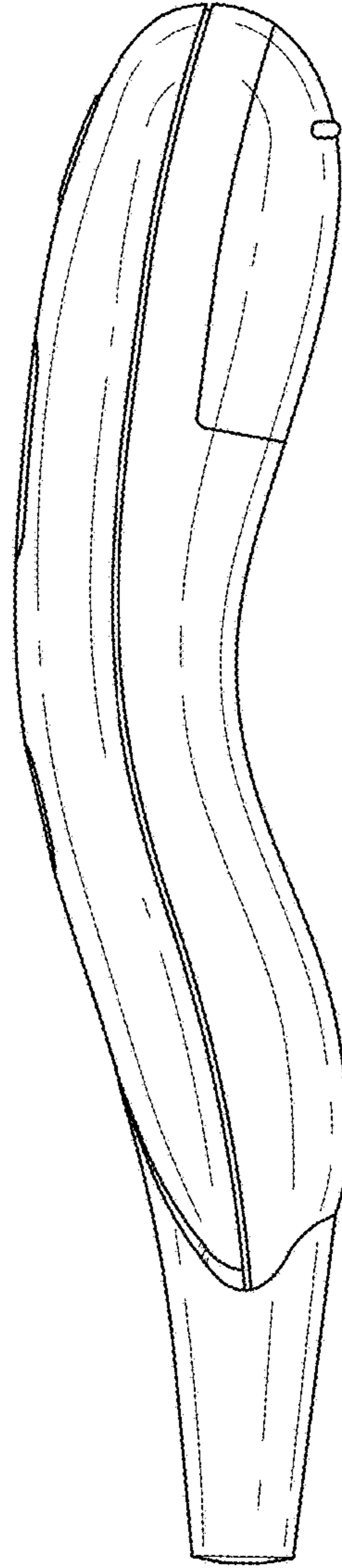


FIG. 7

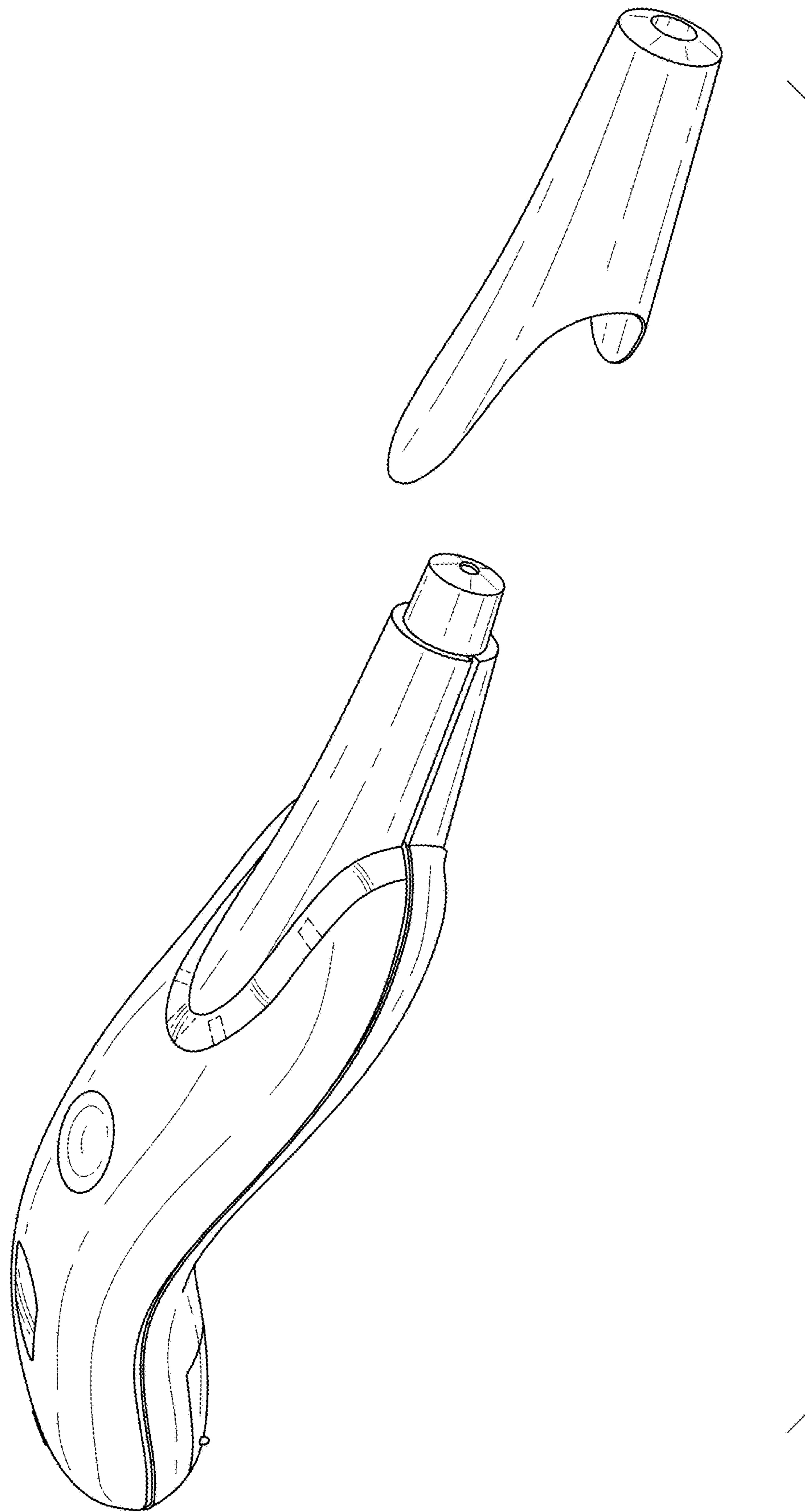


FIG. 8