



US00D818378S

(12) **United States Design Patent**  
**Murphy et al.**

(10) **Patent No.:** **US D818,378 S**

(45) **Date of Patent:** **\*\* May 22, 2018**

(54) **OUTDOOR WEATHER SENSOR**

- (71) Applicant: **COMBEX, INC.**, Lake Geneva, WI (US)
- (72) Inventors: **Matthew T. Murphy**, Elkhorn, WI (US); **Ryan Torgerson**, Burlington, WI (US)
- (73) Assignee: **COMBEX, INC.**, Lake Geneva, WI (US)

(\*\*) Term: **15 Years**

(21) Appl. No.: **29/587,008**

(22) Filed: **Dec. 8, 2016**

(51) **LOC (11) Cl.** ..... **10-04**

(52) **U.S. Cl.**  
USPC ..... **D10/53**

(58) **Field of Classification Search**  
USPC ..... D10/52, 53  
CPC .... G01S 5/0009; G01S 5/0018; G01S 5/0036;  
G01W 1/02; G01W 1/04; G01W 1/06;  
G01W 1/10; G01W 1/11; G01W 1/12;  
G01W 1/14; G01W 1/16; G01W 1/17;  
G01W 1/18; G01W 2001/006; G01W  
2201/00; G01W 2203/00

See application file for complete search history.

(56) **References Cited**

**U.S. PATENT DOCUMENTS**

D675,944 S \* 2/2013 Murphy ..... D10/53

9,696,459 B1 \* 7/2017 Murphy ..... G01W 1/10

\* cited by examiner

*Primary Examiner* — Antoine Duval Davis

(74) *Attorney, Agent, or Firm* — Michael Best & Friedrich LLP

(57) **CLAIM**

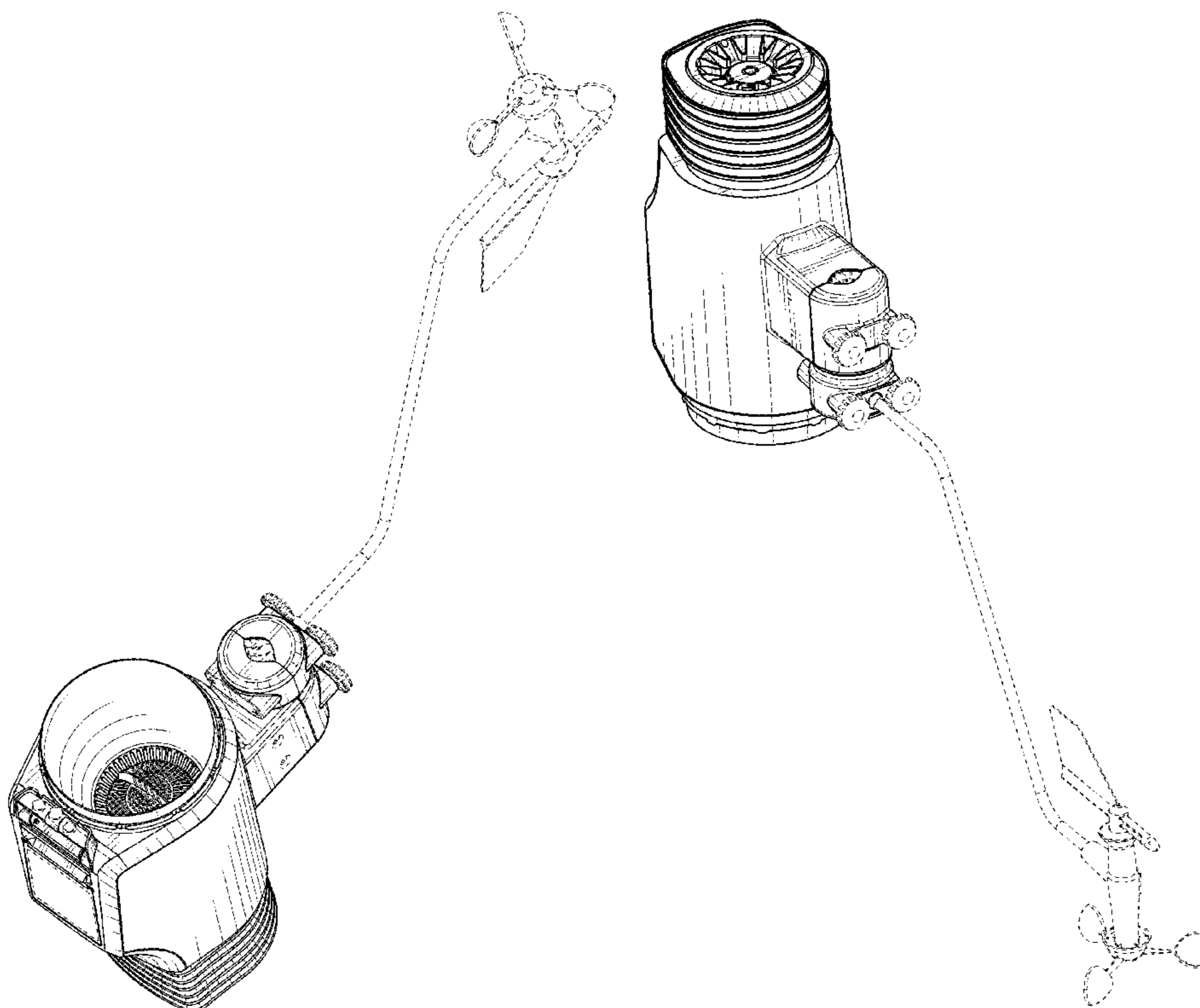
The ornamental design for an outdoor weather sensor, as shown and described.

**DESCRIPTION**

FIG. 1 is a front perspective view of a first embodiment of the outdoor weather sensor of the present design; FIG. 2 is a rear perspective view of the embodiment of FIG. 1; FIG. 3 is a front elevation view of the embodiment of FIGS. 1 and 2; FIG. 4 is a rear elevation view of the embodiment of FIGS. 1 and 2; FIG. 5 is a left side elevation view of the embodiment of FIGS. 1 and 2; FIG. 6 is a right side elevation view of the embodiment of FIGS. 1 and 2; FIG. 7 is a top plan view of the embodiment of FIGS. 1 and 2; and, FIG. 8 is a bottom plan view of the embodiment of FIGS. 1 and 2.

The broken lines in FIGS. 1-8 illustrate portions of the outdoor weather sensor and form no part of the claimed design.

**1 Claim, 6 Drawing Sheets**



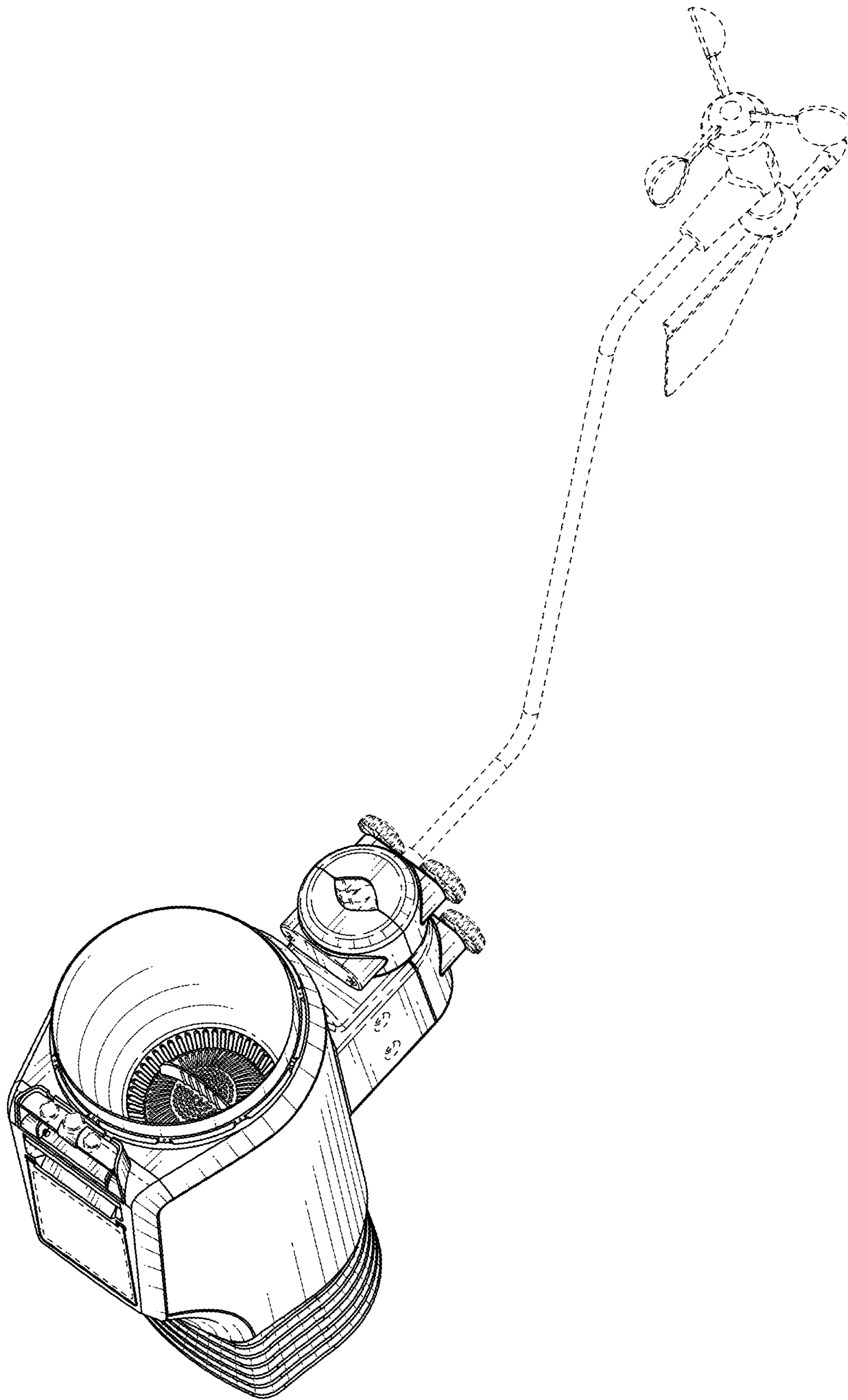


FIG. 1



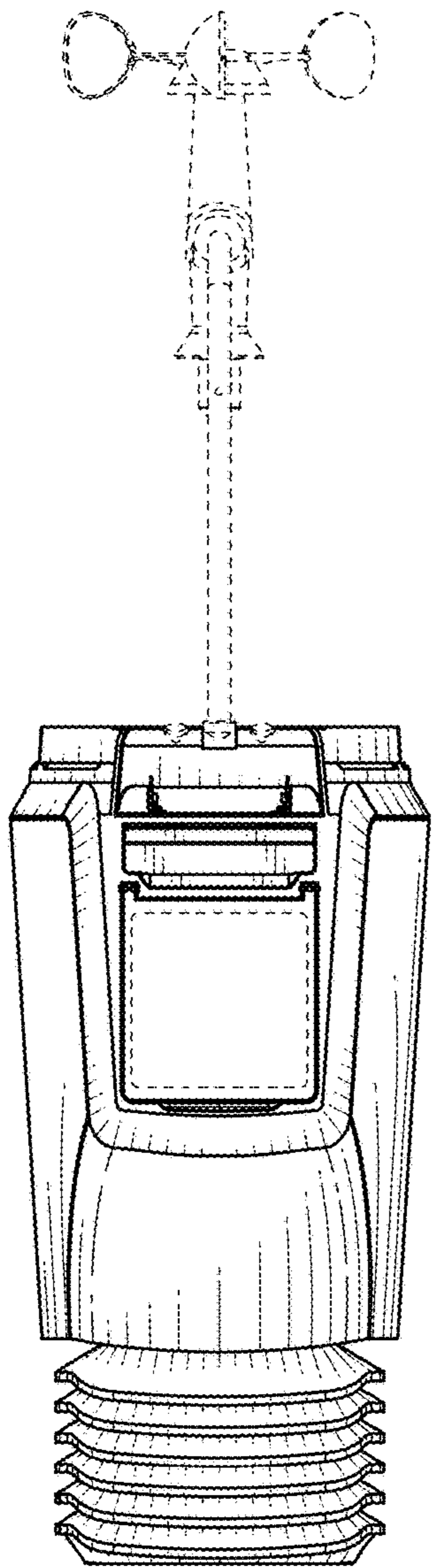


FIG. 3

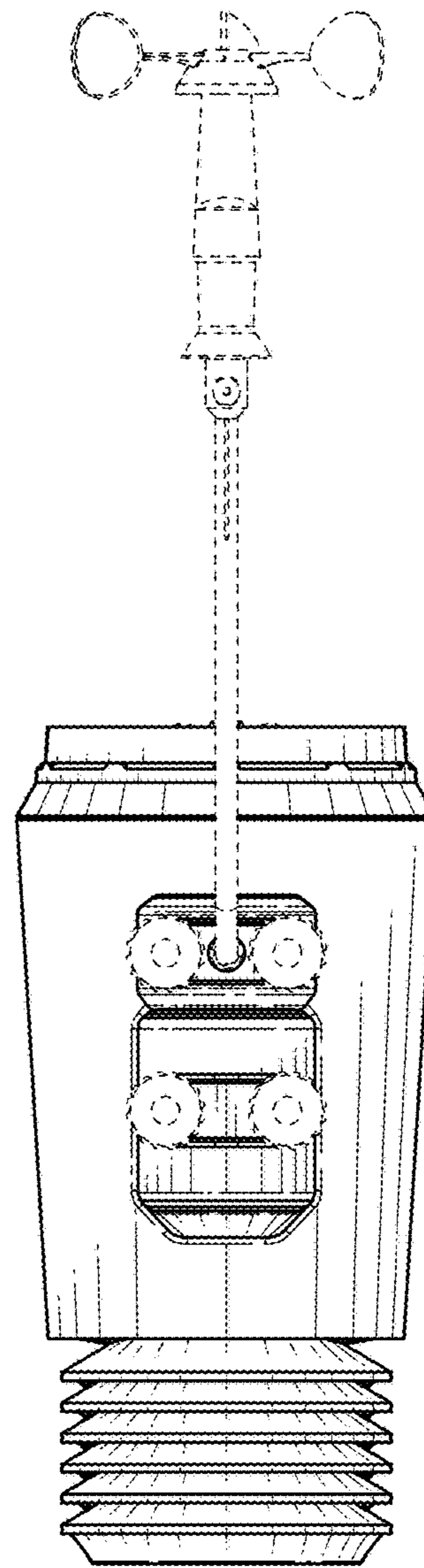


FIG. 4

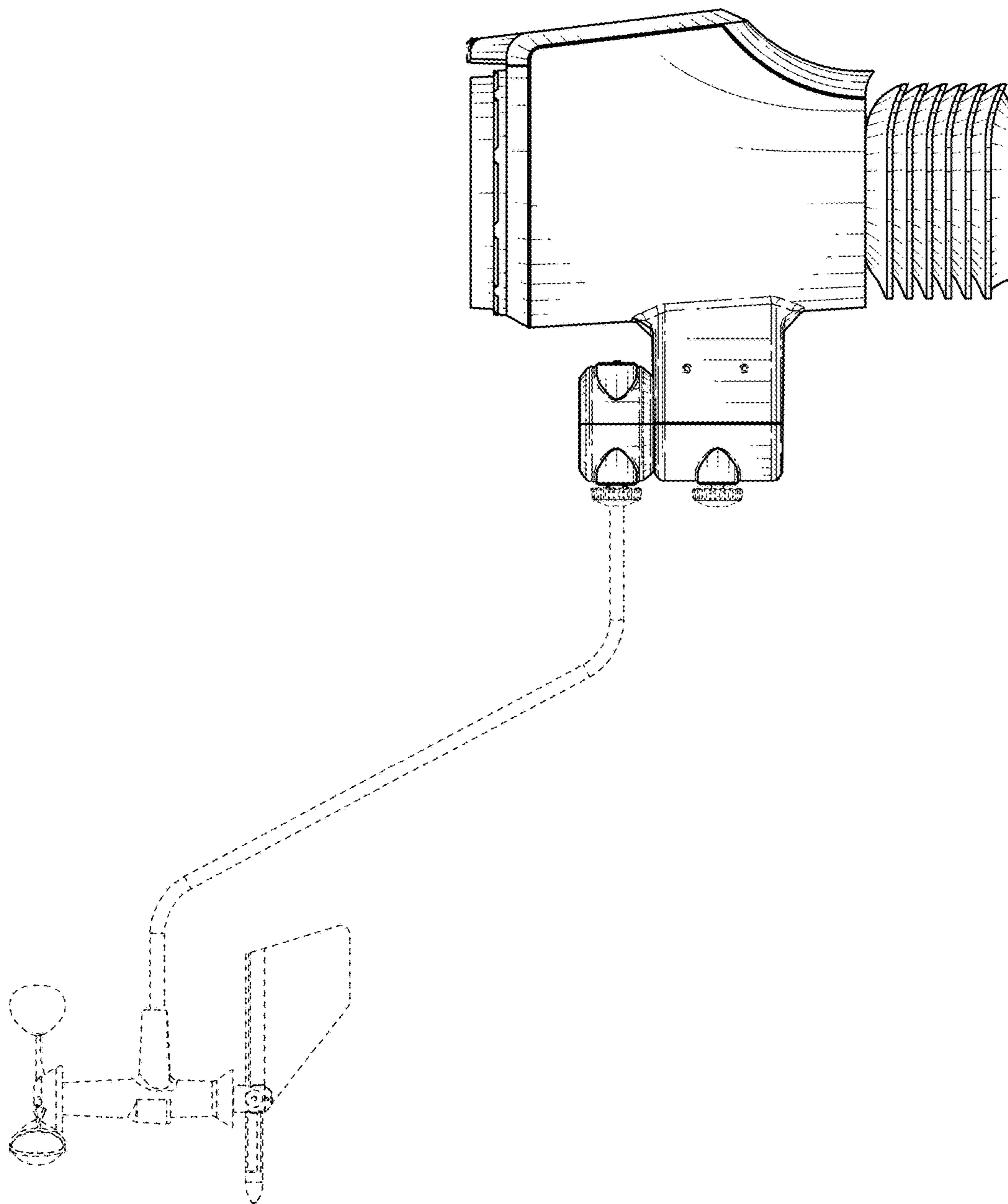


FIG. 5

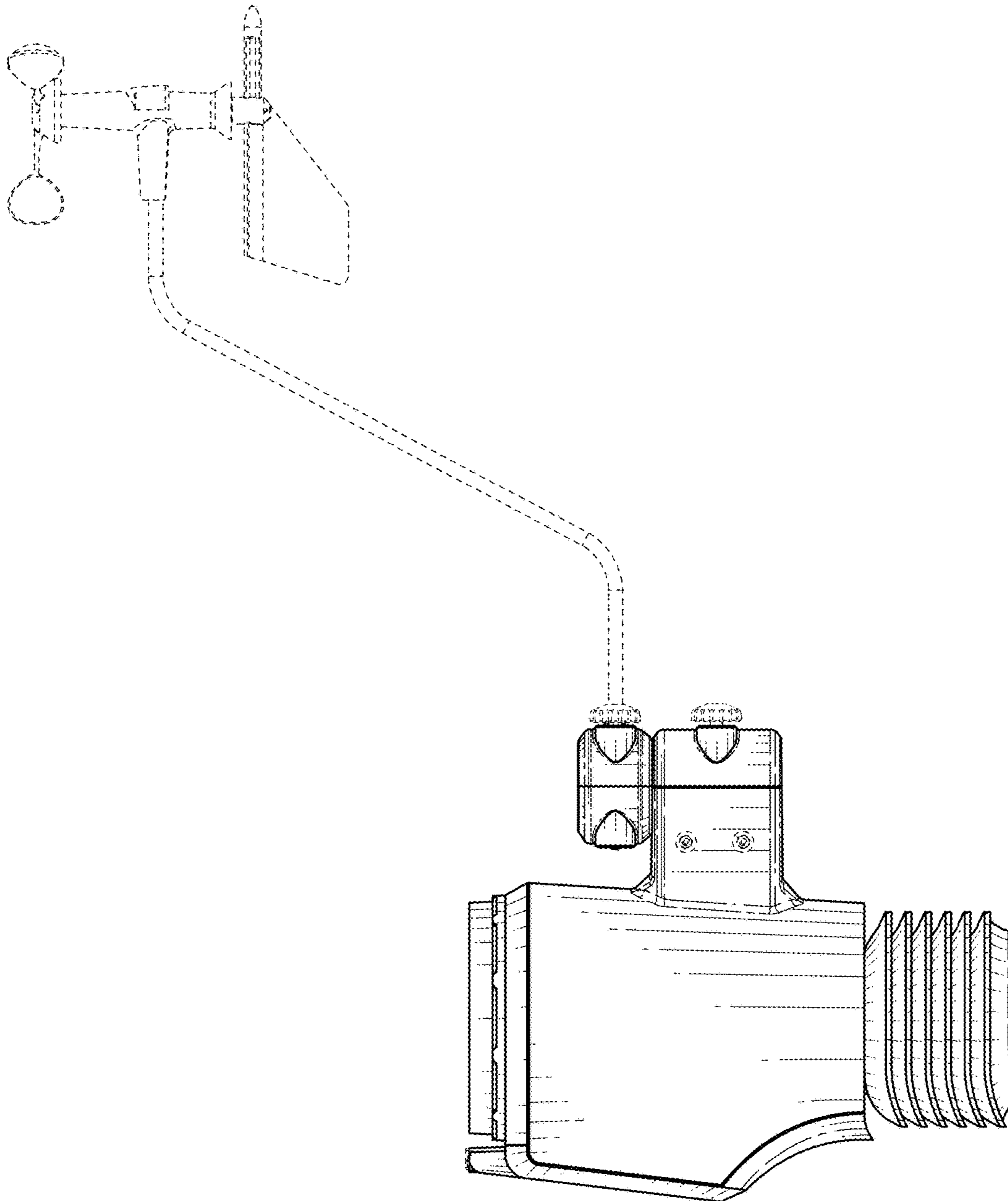


FIG. 6

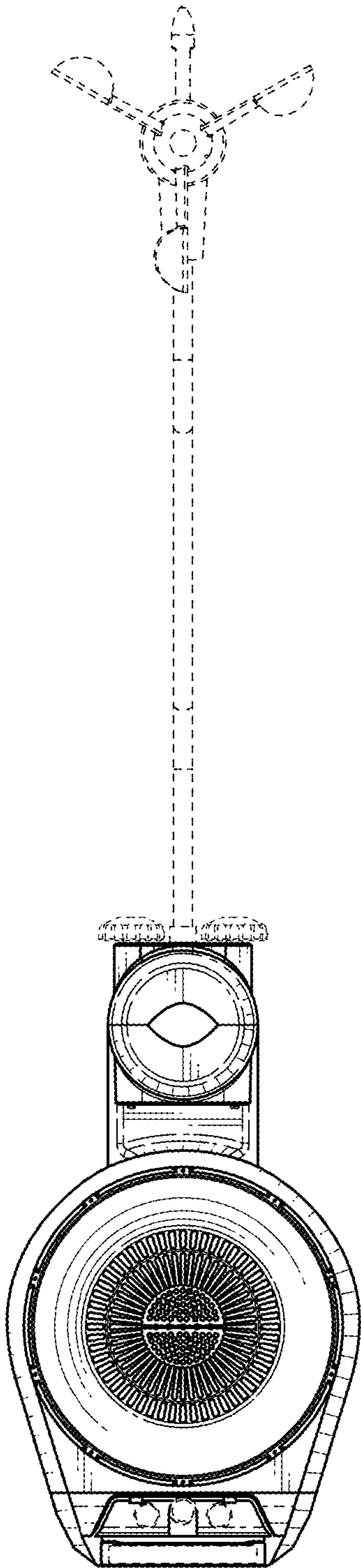


FIG. 7

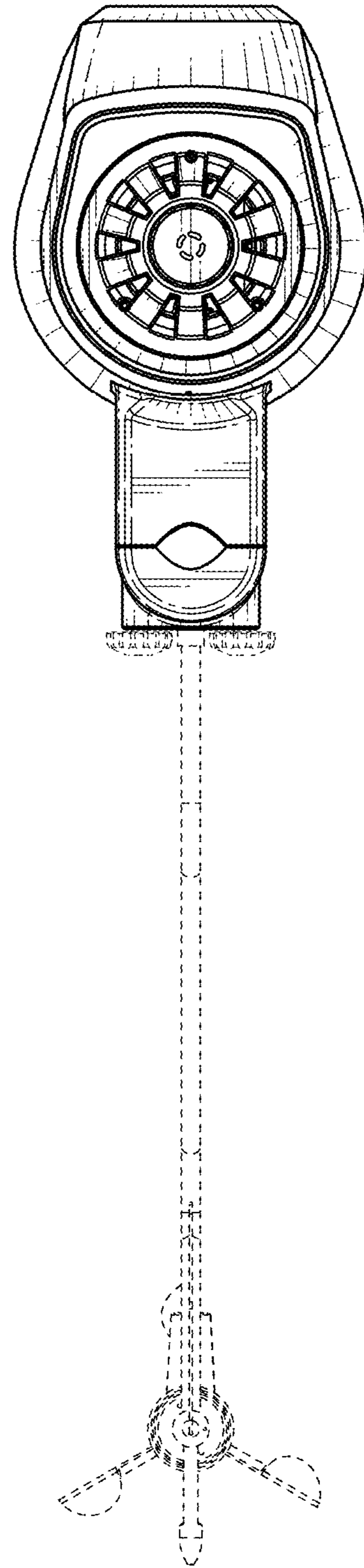


FIG. 8