



US00D818376S

(12) **United States Design Patent**
Monachon

(10) **Patent No.:** **US D818,376 S**
(45) **Date of Patent:** **** May 22, 2018**

(54) **WATCHCASE**
(71) Applicant: **OMEGA LTD.**, Bienne (CH)
(72) Inventor: **Jean-Claude Monachon**, Bevaix (CH)

D649,890 S * 12/2011 Favre D10/38
D656,416 S * 3/2012 Monachon D10/39
D762,126 S * 7/2016 Izuka D10/126
D762,488 S * 8/2016 Kishino D10/128
D785,468 S * 5/2017 White D10/30

(73) Assignee: **OMEGA LTD.**, Bienne (CH)

OTHER PUBLICATIONS

(**) Term: **15 Years**

Congnghe Tuoitre Online, Intel Google and TAG Heuer jointly do "Swiss Smartwatch", posted Mar. 19, 2015, [online], [site visited Mar. 8, 2018]. Available from Internet, <URL: https://congnghe.tuoitre.vn/nhip-song-so/bo-ba-intel-google-va-tag-heuer-cung-lam-smartwatch-722906.htm> (Year: 2015).*

(21) Appl. No.: **29/606,433**

(22) Filed: **Jun. 5, 2017**

* cited by examiner

(30) **Foreign Application Priority Data**

Dec. 5, 2016 (WO) DM093755

Primary Examiner — Sheryl Lane

(51) **LOC (11) Cl.** **10-02**

Assistant Examiner — Samantha N Wood

(52) **U.S. Cl.**
USPC **D10/38**

(74) *Attorney, Agent, or Firm* — Abelman, Frayne & Schwab

(58) **Field of Classification Search**
USPC D10/1, 30, 31, 33, 34, 37, 39, 6, 7, 18,
D10/122, 123, 124, 126, 38; D11/1, 2
CPC G04B 3/04; G04B 3/048; G04B 19/02;
G04B 19/04; G04B 19/044; G04B
19/048; G04B 19/06; G04B 19/065;
G04B 19/10; G04B 5/005; G04B 5/20;
G04B 19/12; G04B 19/24; G04B 19/26
See application file for complete search history.

(57) **CLAIM**

The ornamental design for a watchcase, as shown.

(56) **References Cited**

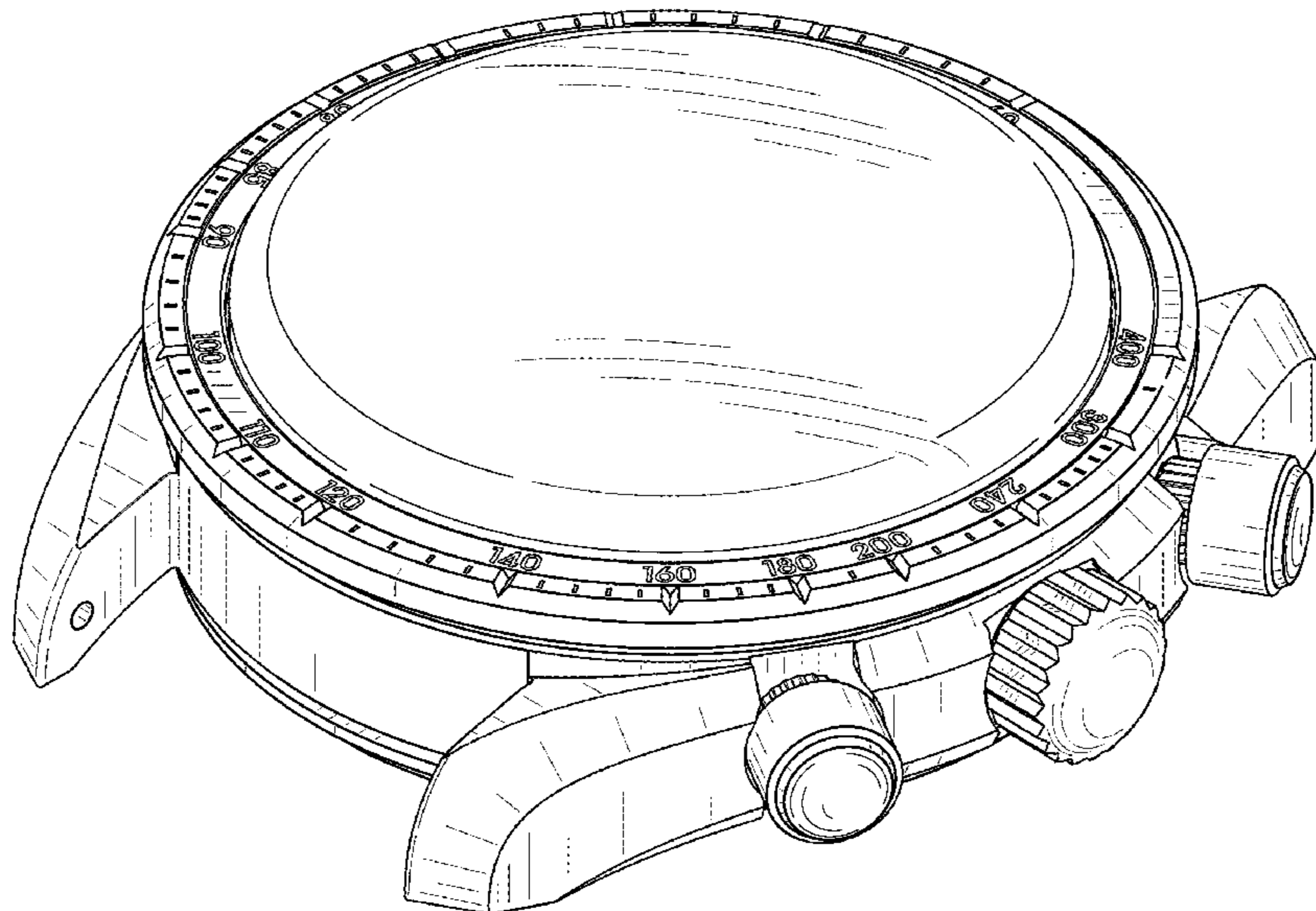
U.S. PATENT DOCUMENTS

D380,391 S * 7/1997 Osit D10/30
D543,886 S * 6/2007 Pandel D10/128
D547,212 S * 7/2007 Dias D10/39
D604,644 S * 11/2009 Ahlstrom D10/31
D621,284 S * 8/2010 Cerrato D10/38

DESCRIPTION

FIG. 1 is a front right perspective view of a watchcase showing my new design;
FIG. 2 is a front view thereof;
FIG. 3 is a rear view thereof;
FIG. 4 is a left side view thereof;
FIG. 5 is a right side view thereof;
FIG. 6 is a top view thereof;
FIG. 7 is a bottom view thereof; and,
FIG. 8 is a rear right perspective view thereof.

1 Claim, 6 Drawing Sheets



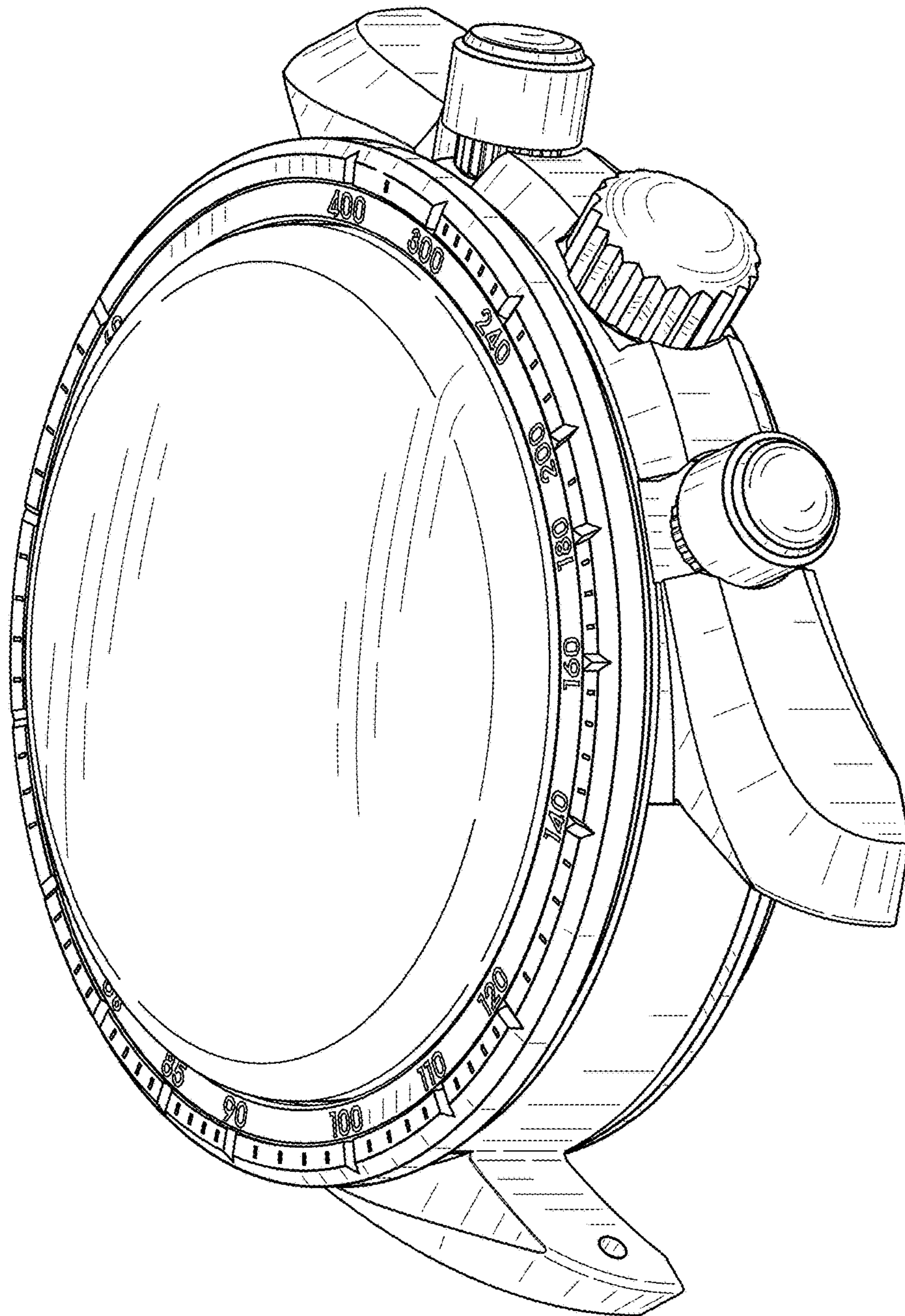


FIG. 1

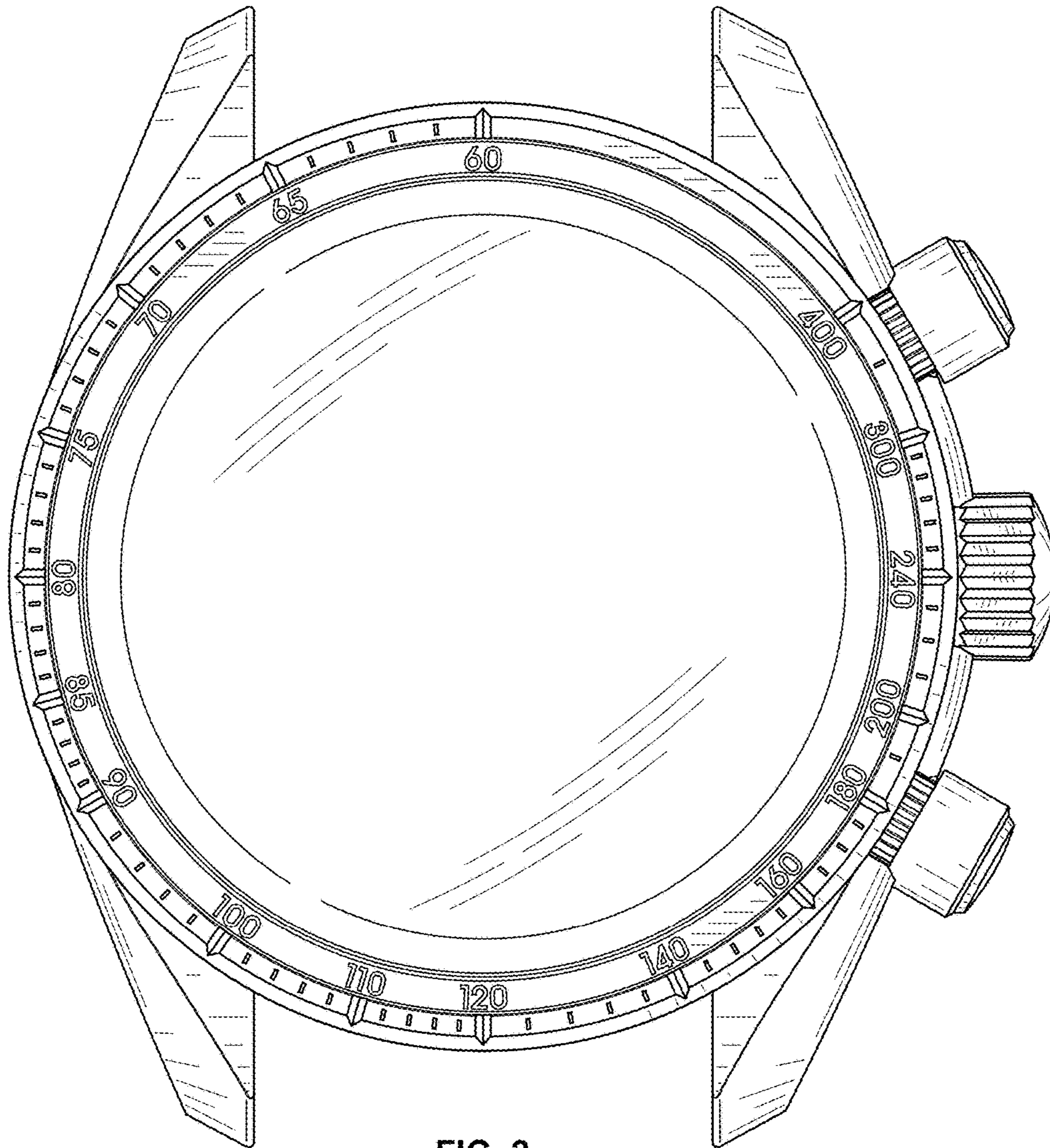


FIG. 2

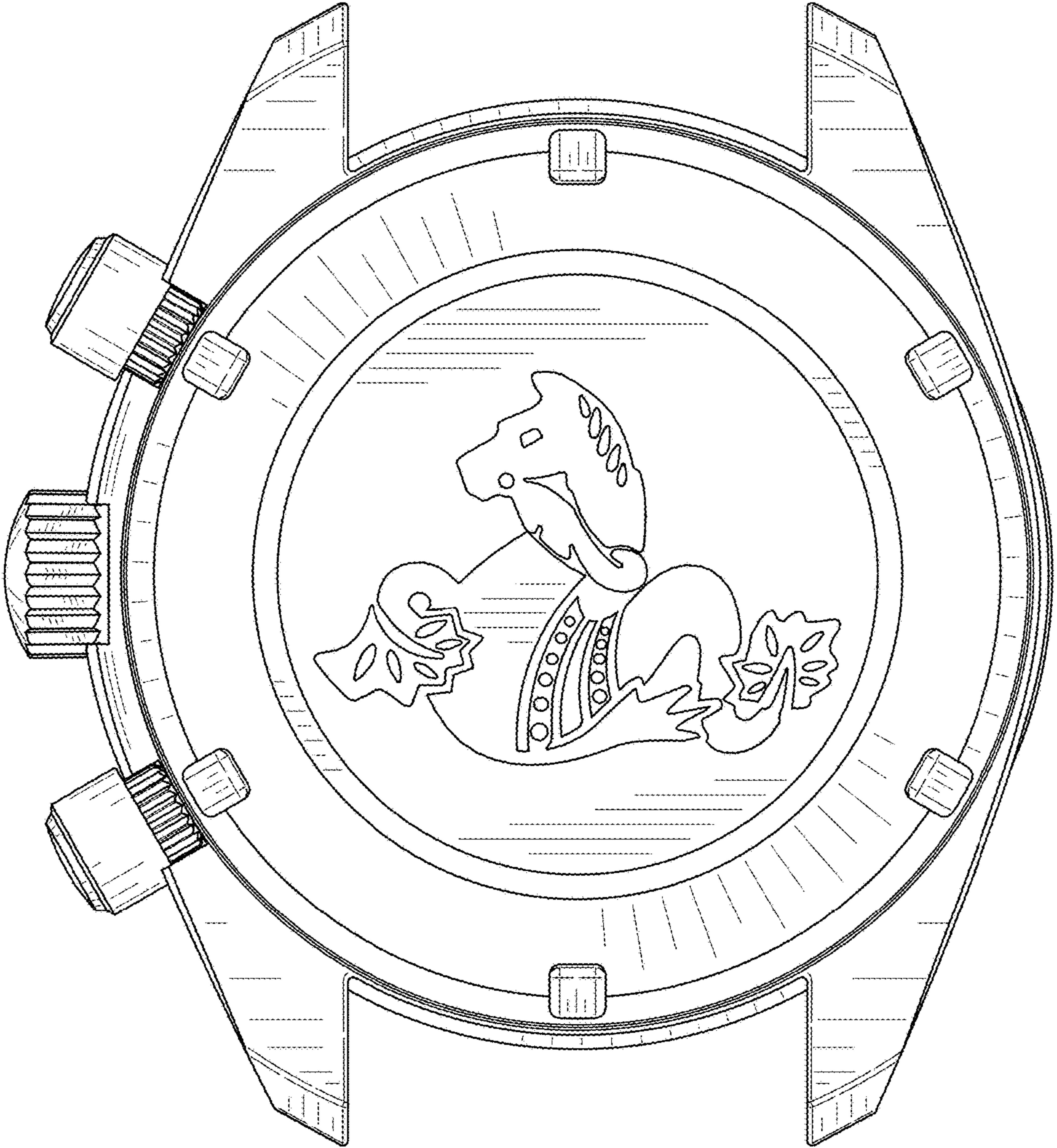


FIG. 3

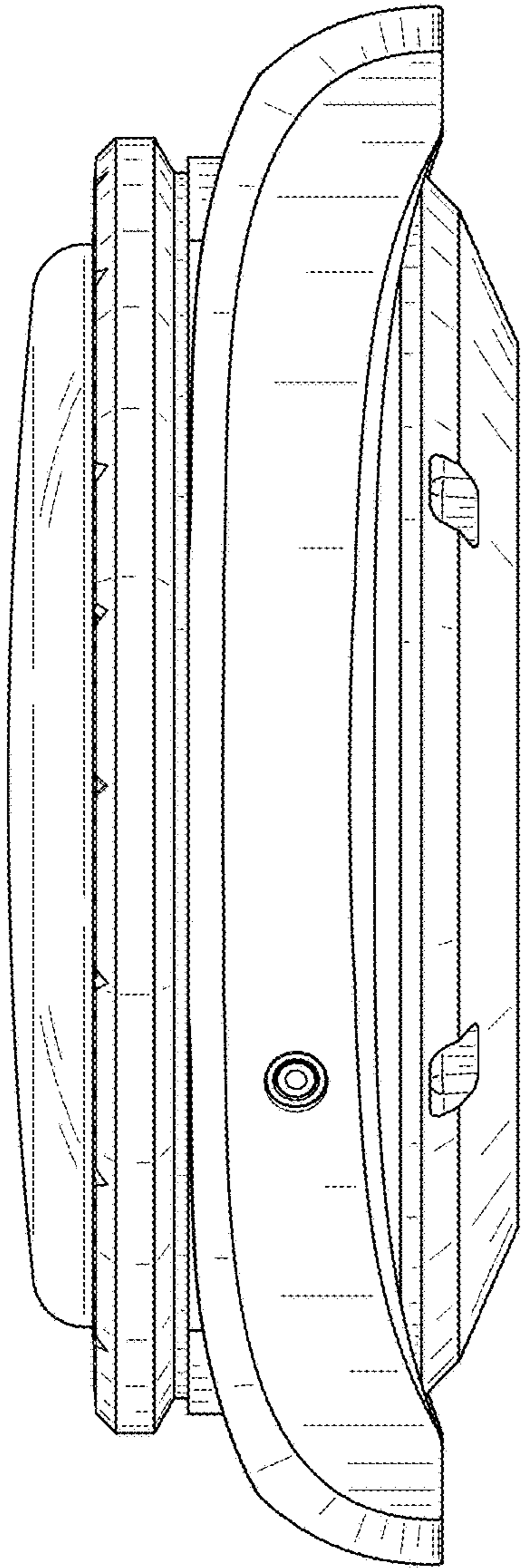


FIG. 4

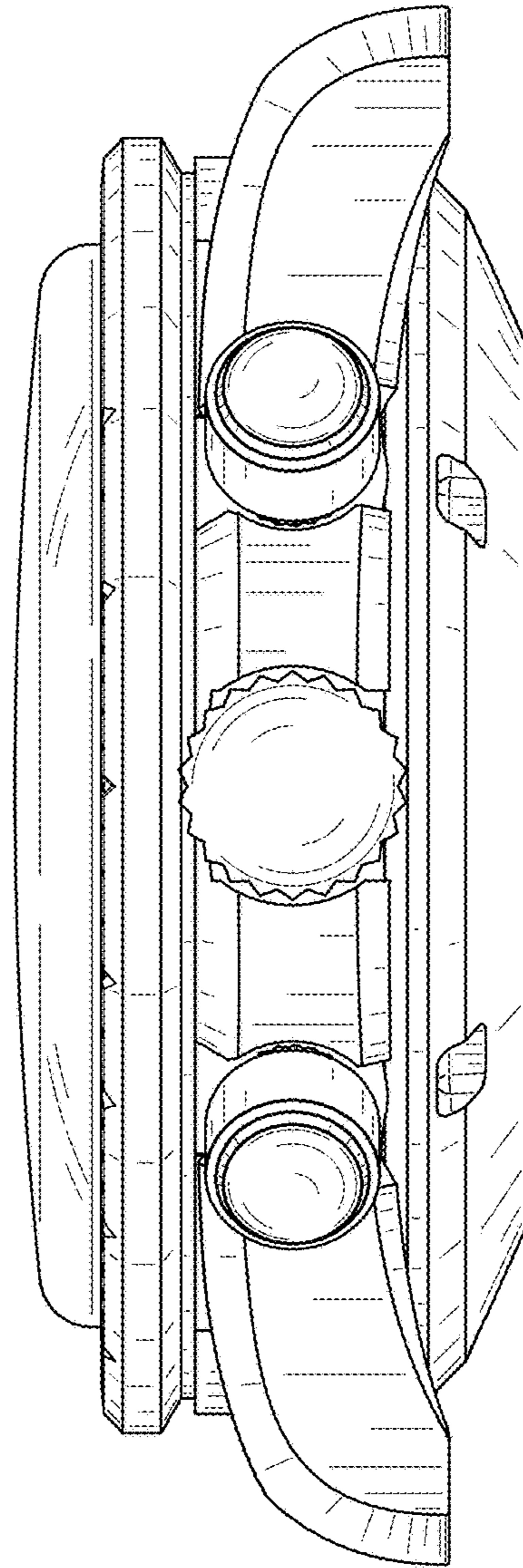


FIG. 5

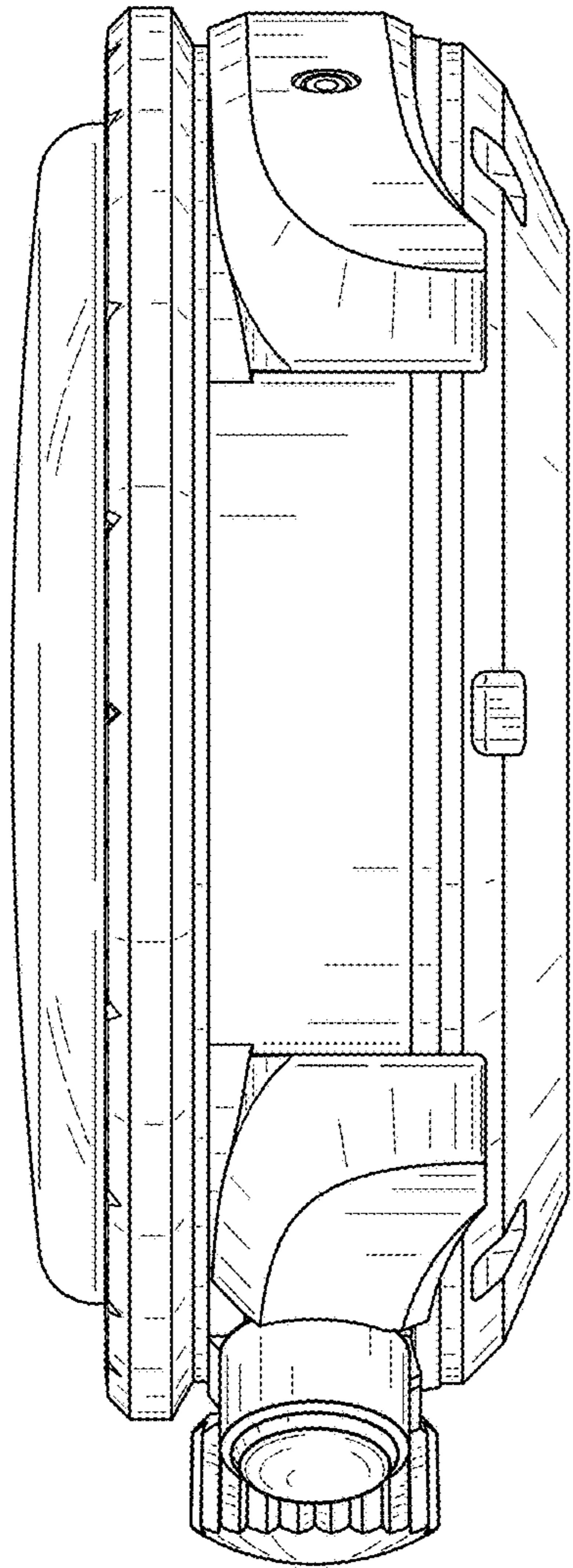


FIG. 6

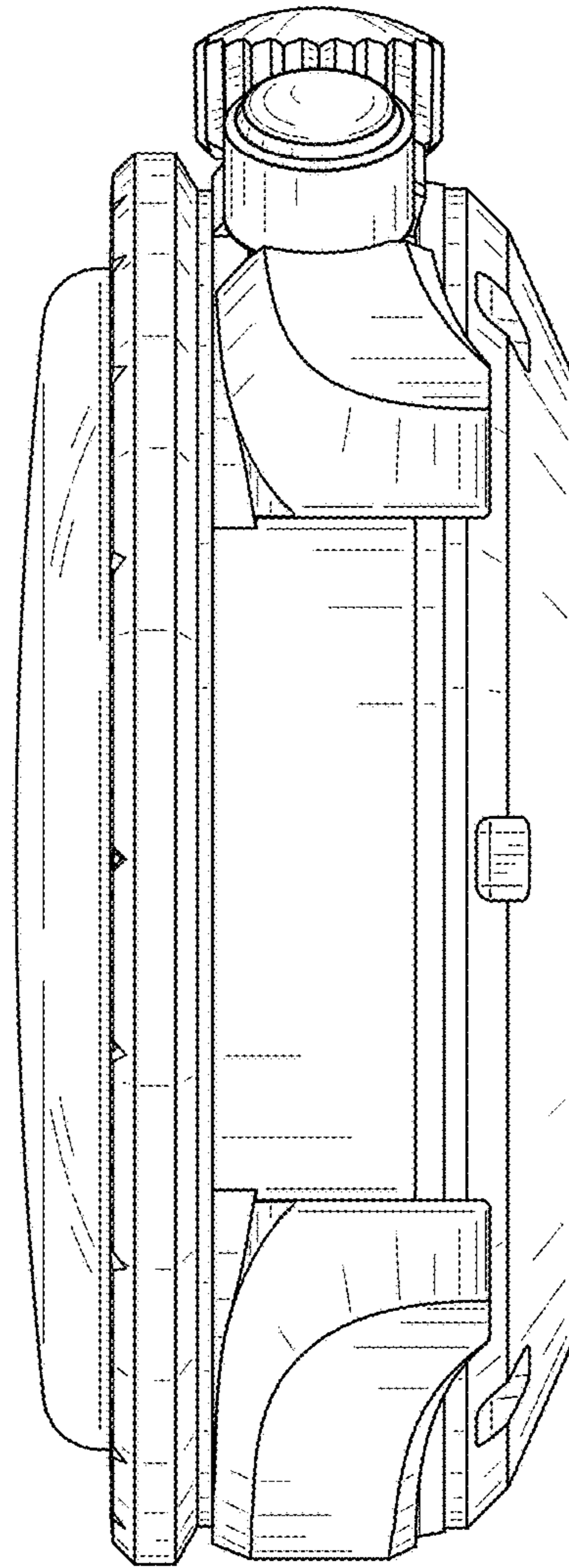


FIG. 7

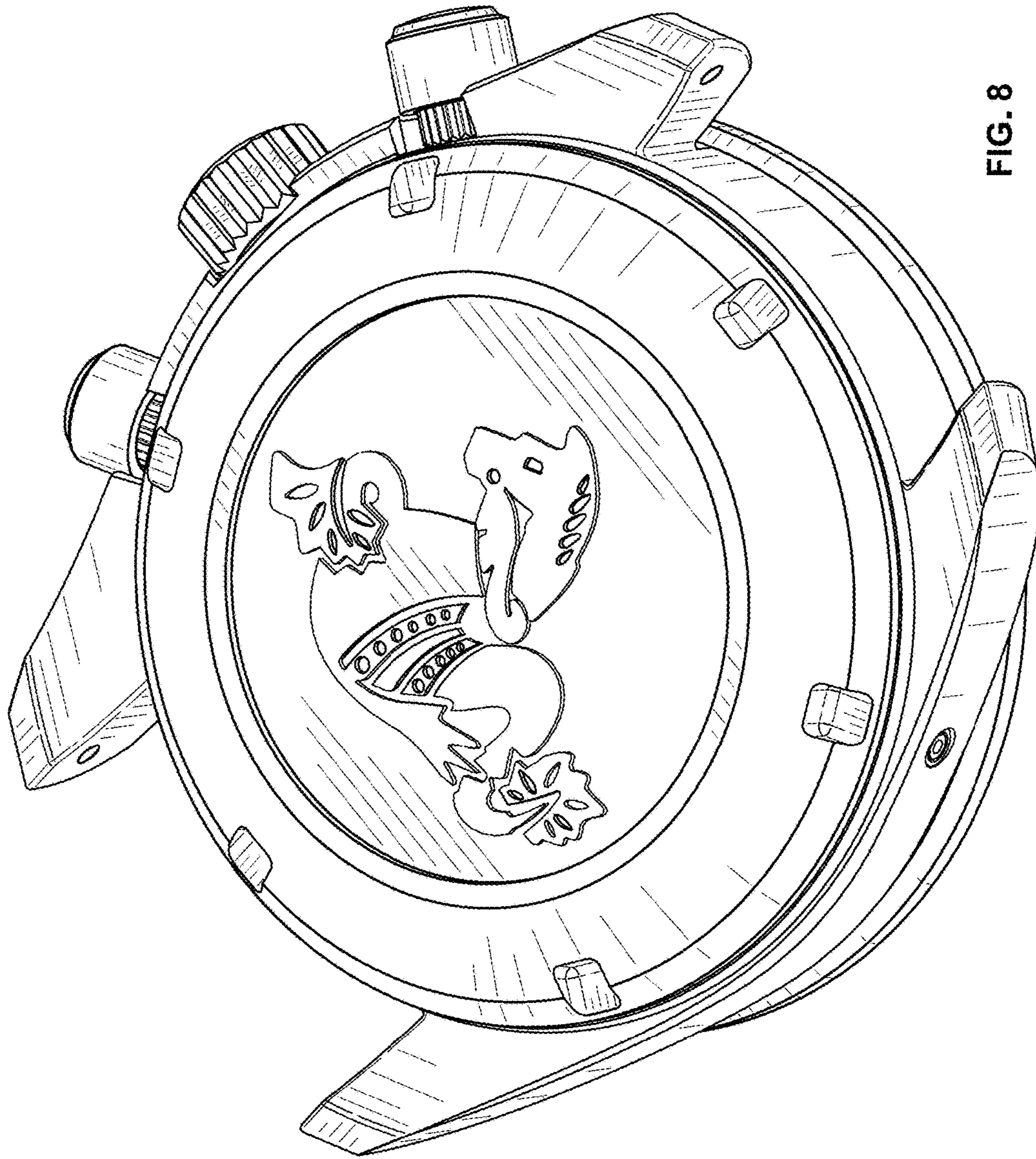


FIG. 8