



US00D818375S

(12) **United States Design Patent** (10) **Patent No.:** **US D818,375 S**  
**Michele** (45) **Date of Patent:** **\*\* May 22, 2018**

(54) **WRISTWATCH**

(56) **References Cited**

(71) Applicant: **LUXURY GOODS INTERNATIONAL (L.G.I.) SA,**  
Cortailod (CH)

U.S. PATENT DOCUMENTS

(72) Inventor: **Alessandro Michele,** Rome (IT)

D434,679 S	*	12/2000	Dumas	.....	D10/30
D533,088 S	*	12/2006	Bedat	.....	D10/39
D564,905 S	*	3/2008	Auguanno	.....	D10/32
D606,424 S	*	12/2009	Inoue	.....	D10/39
D629,704 S	*	12/2010	Furetta	.....	D10/32
D764,318 S	*	8/2016	Kauffmann	.....	D10/30
D772,866 S	*	11/2016	Park	.....	D10/38
D782,337 S	*	3/2017	White	.....	D10/39

(73) Assignee: **LUXURY GOODS INTERNATIONAL (L.G.I.) SA,**  
Cortailod (CH)

\* cited by examiner

(\*\*) Term: **15 Years**

*Primary Examiner* — Sheryl Lane

*Assistant Examiner* — Calvin E Vansant

(21) Appl. No.: **29/573,580**

(74) *Attorney, Agent, or Firm* — Sughrue Mion, PLLC

(22) Filed: **Aug. 8, 2016**

(57) **CLAIM**

The ornamental design for a wristwatch, as shown and described.

(30) **Foreign Application Priority Data**

**DESCRIPTION**

Feb. 12, 2016 (CH) ..... 142107

(51) **LOC (11) Cl.** ..... **10-02**

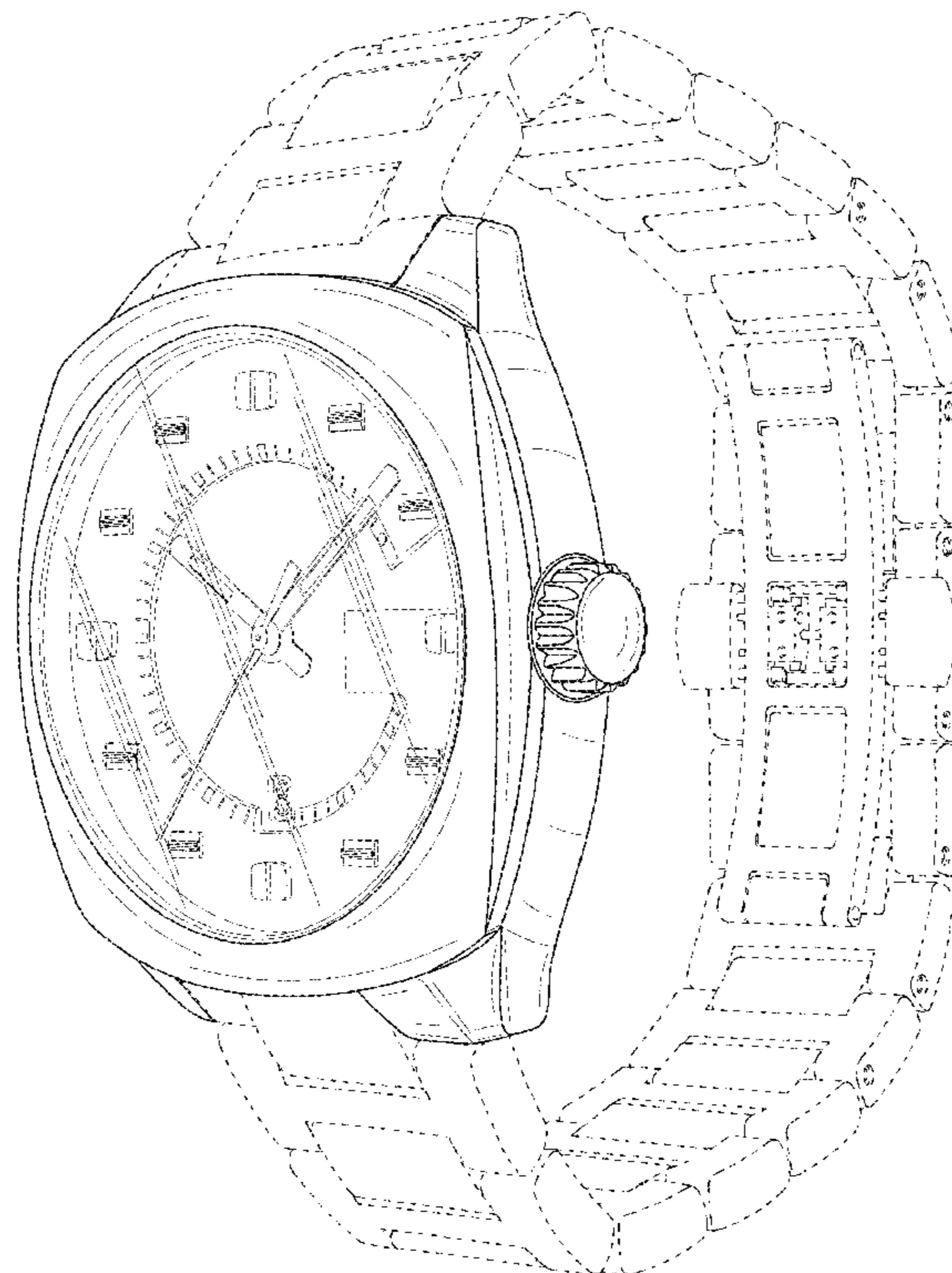
(52) **U.S. Cl.**  
USPC ..... **D10/30**

(58) **Field of Classification Search**  
USPC ..... D10/1-39, 122-132; D11/224, 225  
CPC ..... G04B 17/00; G04B 17/02; G04B 17/005;  
G04B 17/285; G04B 37/00; G04B 37/00;  
G04B 37/0058; G04B 45/00; G04B  
45/02; G04B 45/038; G04B 45/0069;  
G04B 45/0076; G04B 29/00

FIG. 1 is a front and side perspective view of a wristwatch showing my new design;  
FIG. 2 is a front elevational view thereof;  
FIG. 3 is a rear elevational view thereof;  
FIG. 4 is a left side elevational view thereof;  
FIG. 5 is a right side elevational view thereof;  
FIG. 6 is a top view thereof; and,  
FIG. 7 is a bottom view thereof.  
The broken lines depict portions of the wristwatch that form no part of the claim.

See application file for complete search history.

**1 Claim, 7 Drawing Sheets**



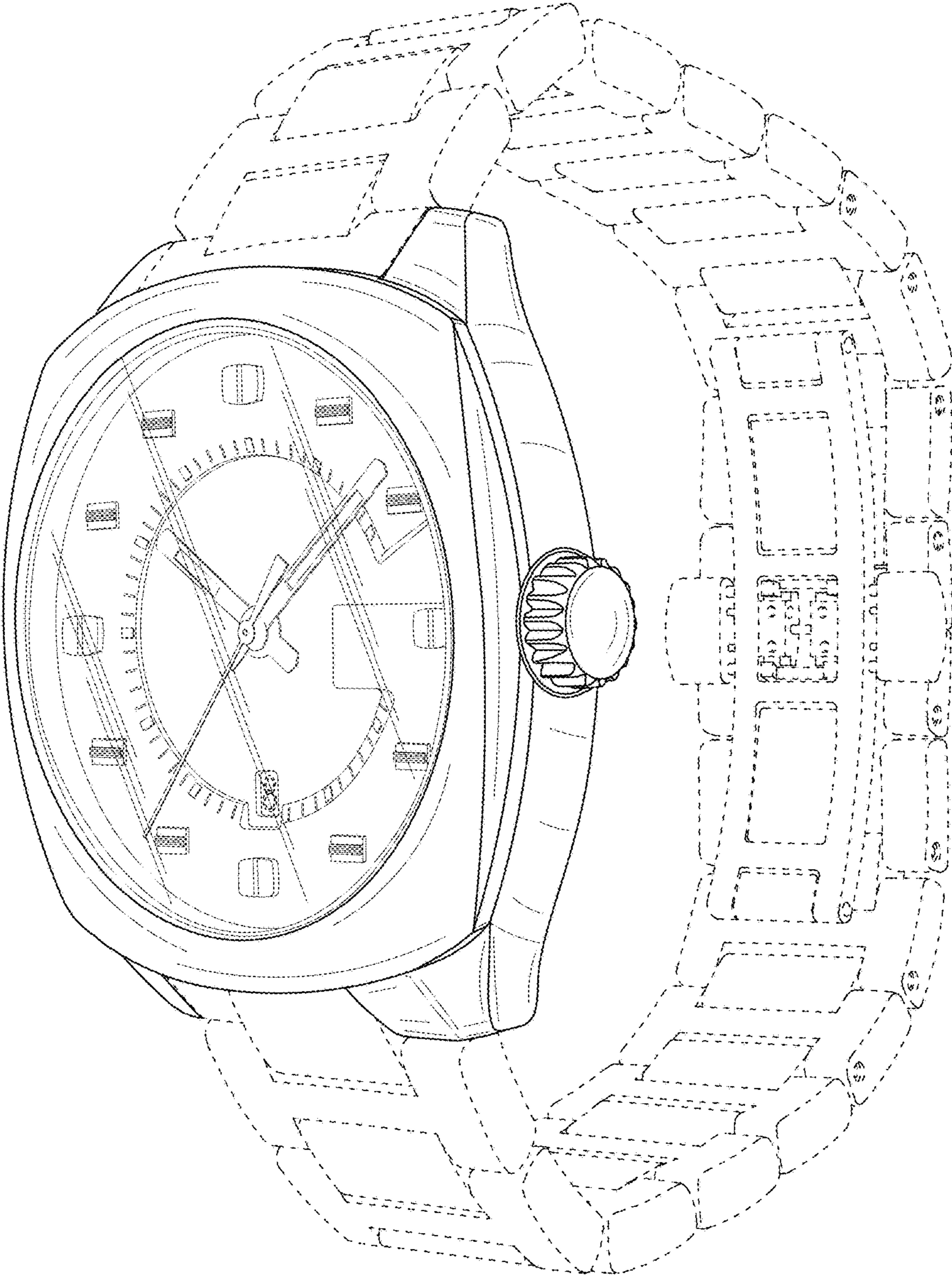


FIG. 1

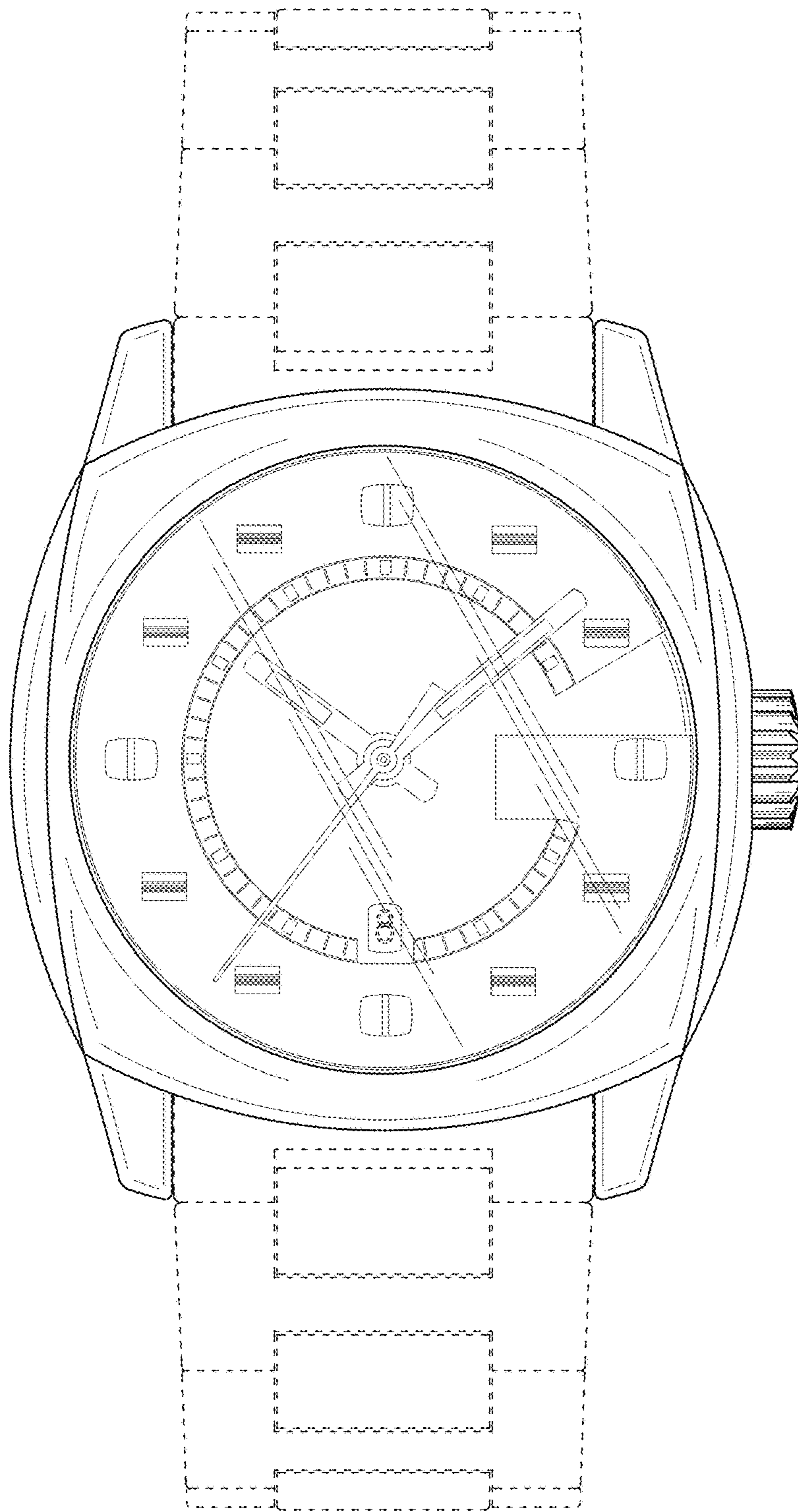


FIG. 2

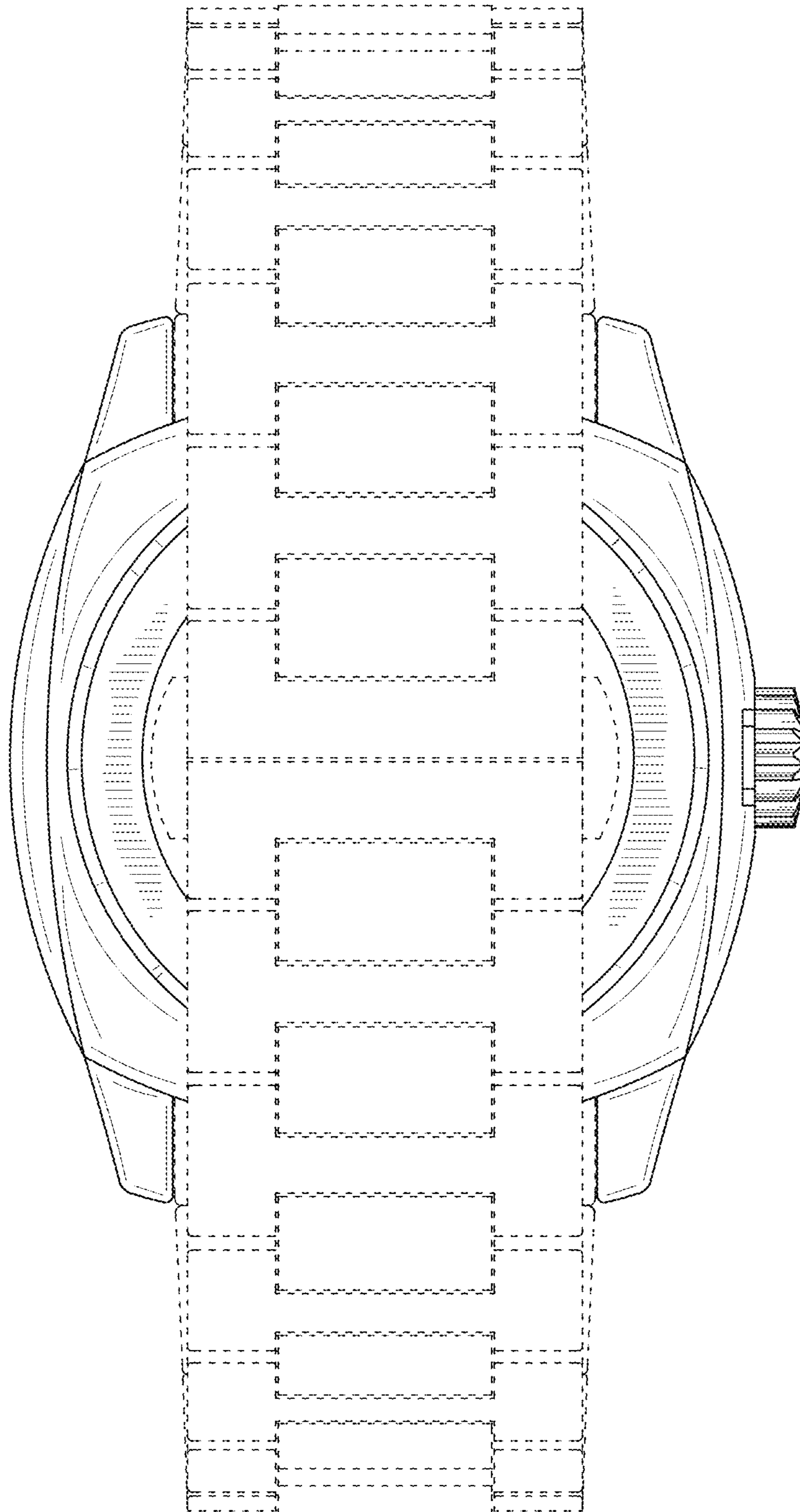


FIG. 3

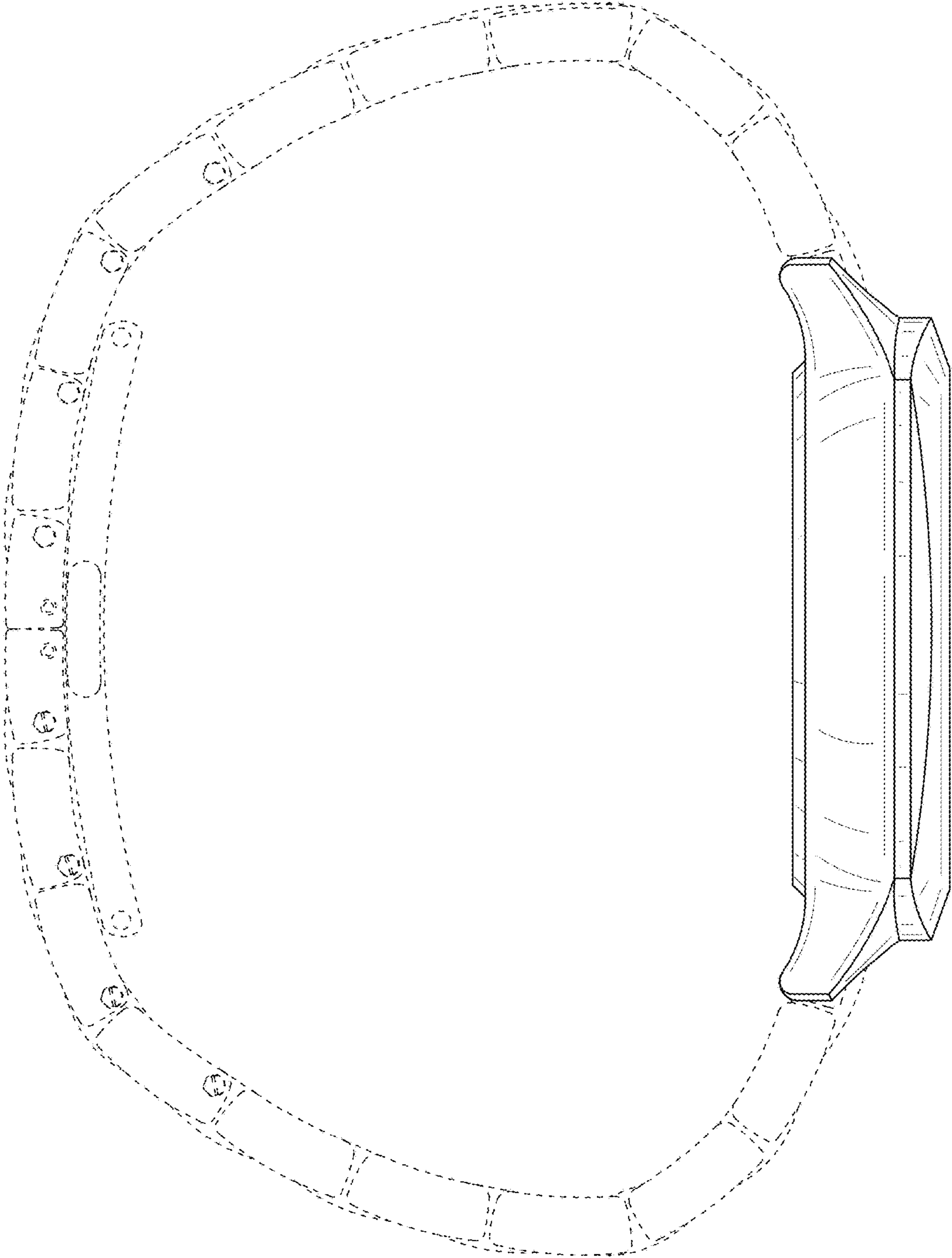


FIG. 4

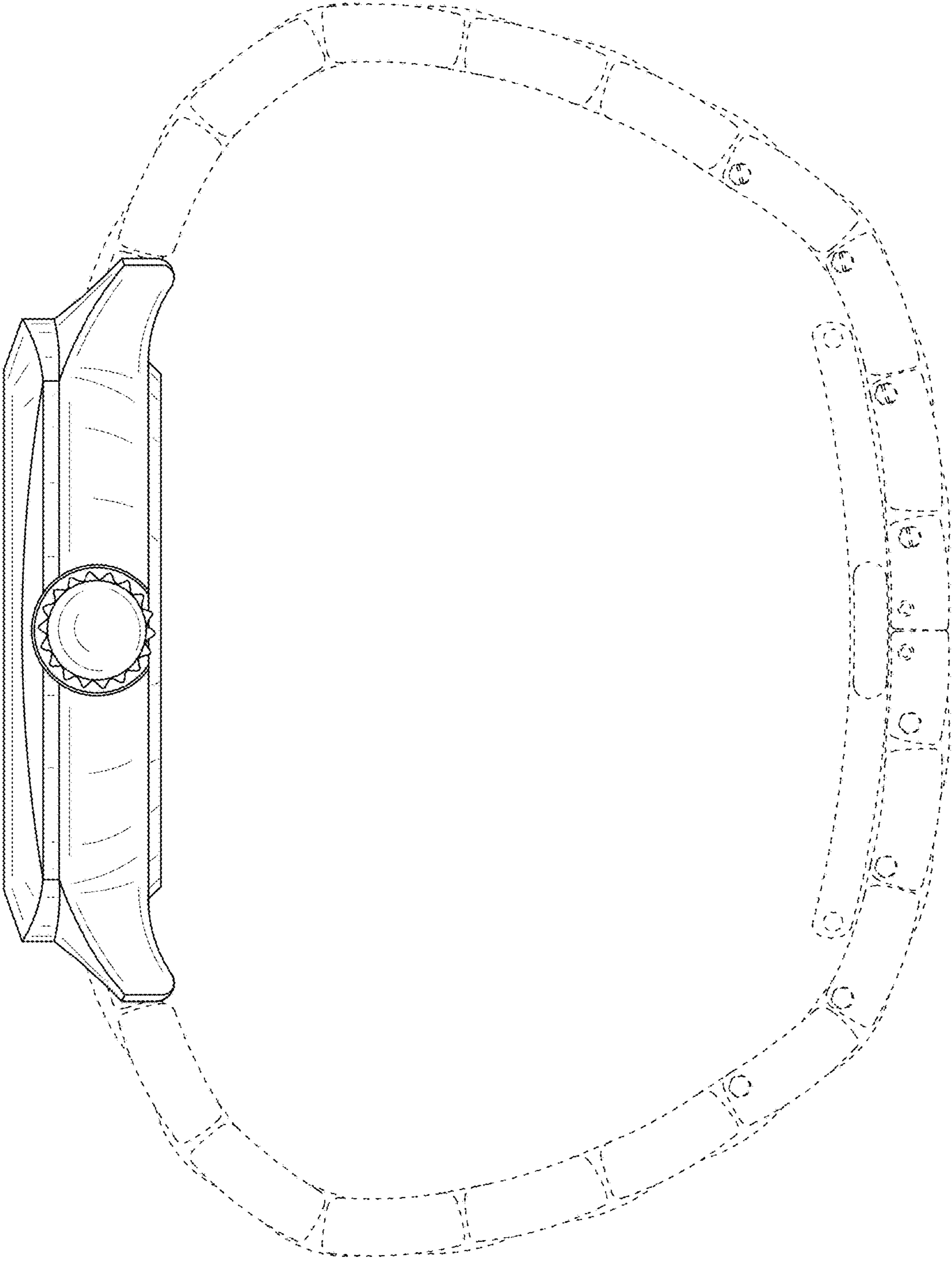


FIG. 5

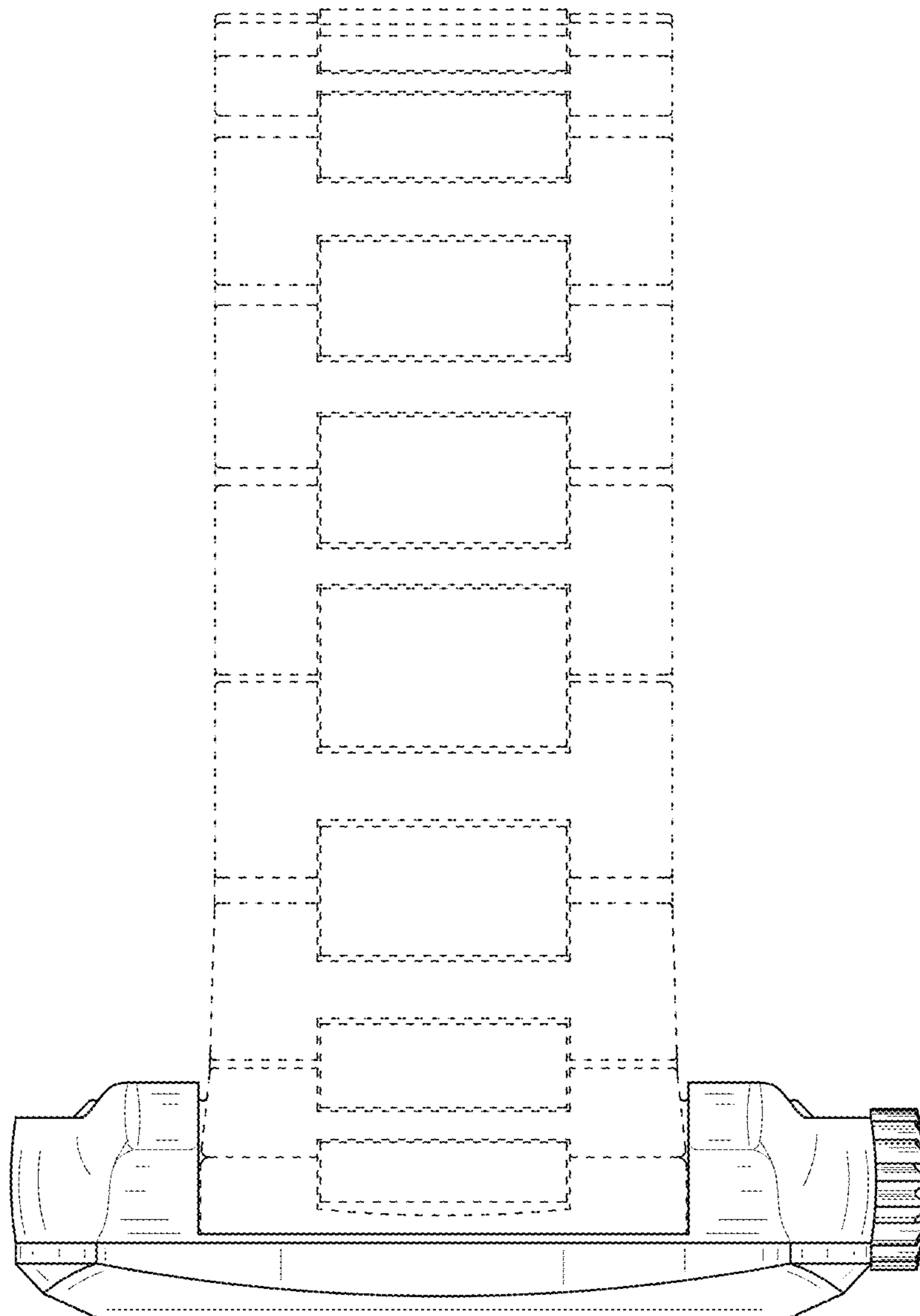


FIG. 6

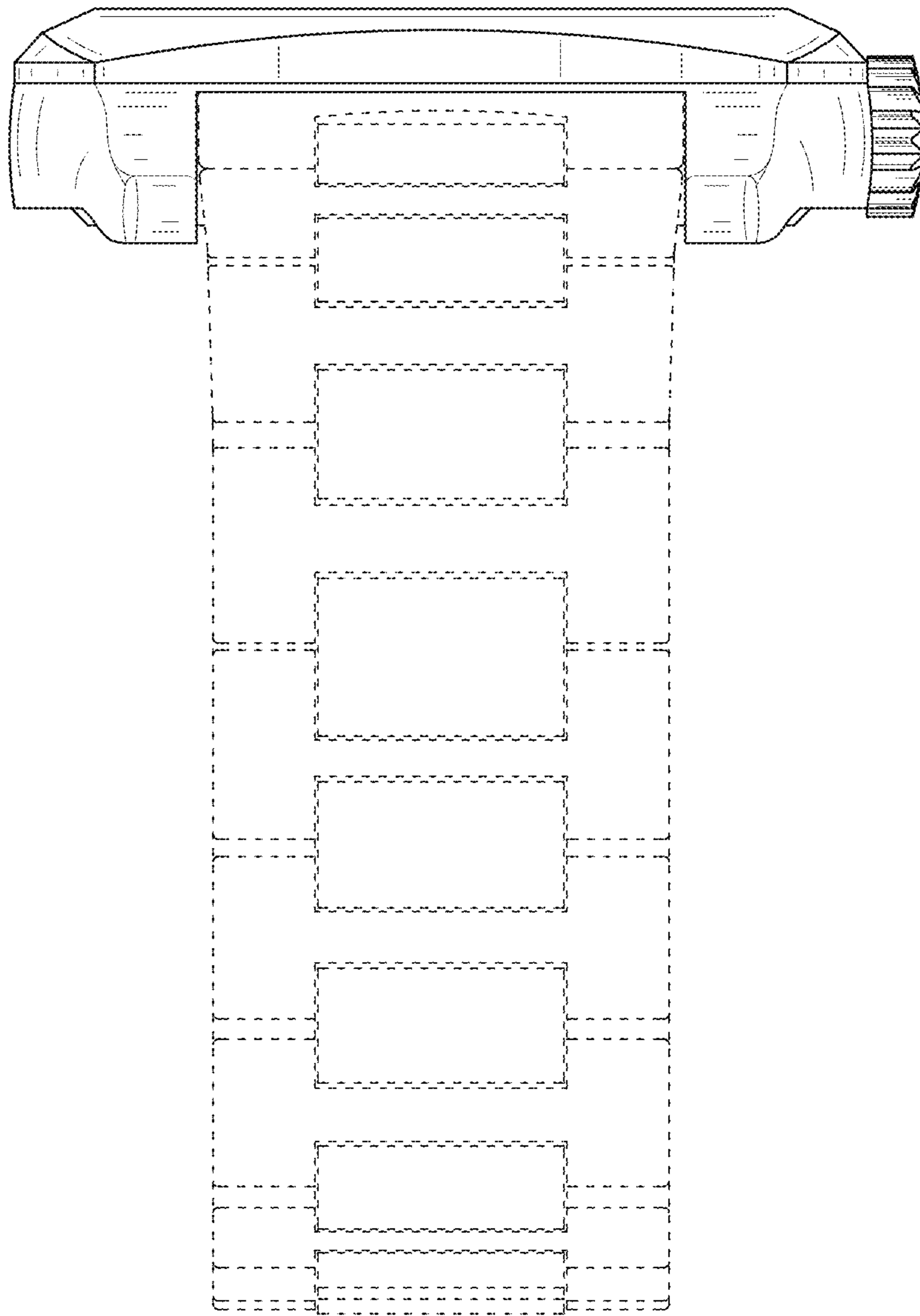


FIG. 7