



US00D818372S

(12) **United States Design Patent** (10) **Patent No.:** **US D818,372 S**
Pitts (45) **Date of Patent:** **** May 22, 2018**

(54) **PACKET WITH INTEGRAL CONNECTOR TAB**

(56) **References Cited**

U.S. PATENT DOCUMENTS

(71) Applicant: **AMERICAN GREASE STICK COMPANY**, Muskegon, MI (US)
(72) Inventor: **Logan D. Pitts**, North Muskegon, MI (US)
(73) Assignee: **AGS COMPANY AUTOMOTIVE SOLUTIONS LLC**, Pittsburgh, PA (US)
(**) Term: **15 Years**

5,697,177 A	12/1997	Ludlow et al.
6,305,329 B1	12/2001	Levy, Jr.
6,658,813 B2	12/2003	Clay
6,679,029 B2	1/2004	Clay
6,695,364 B2	4/2004	Bierlin
6,905,075 B1	6/2005	Rosen
7,014,041 B1	3/2006	Rosen et al.
7,241,066 B1	7/2007	Rosen
D573,037 S	7/2008	Murray
D606,882 S	12/2009	Sharp
D632,565 S	2/2011	Caldwell
D632,567 S *	2/2011	Caldwell D9/435
D640,565 S	6/2011	Tsuruta

(21) Appl. No.: **29/578,223**

(Continued)

(22) Filed: **Sep. 20, 2016**

Primary Examiner — Abraham Bahta
(74) *Attorney, Agent, or Firm* — Honigman Miller Schwartz and Cohn LLP

Related U.S. Application Data

(62) Division of application No. 29/521,285, filed on Mar. 23, 2015, now Pat. No. Des. 768,006.

(51) **LOC (11) Cl.** **09-05**

(52) **U.S. Cl.**
USPC **D9/702**

(58) **Field of Classification Search**

USPC D9/702-714, 720-722, 414, 434-435, D9/696, 716, 771, 447, 522, 571-575, D9/682, 738-747, 516-517, 529-530, D9/547-549, 569, 537-538, 544, D9/503-505, 545, 440, 444; 383/6, 9, 383/22, 96, 61.1, 80-81, 104, 901, 63, 383/203, 107, 119, 120, 123, 108, 904, 383/906-907; D24/118, 207; 222/107, 222/92, 206; 604/408, 410, 403; 220/495.03, 669, 675; 215/381-385, 215/12.1; D3/202, 303, 232, 244
CPC B65D 35/00; B65D 35/08; B65D 85/72; B65D 75/00; B65D 75/58; B65D 75/5085; B65D 65/00; B65D 65/10; B65D 65/38; B65D 81/00; B65D 81/24

See application file for complete search history.

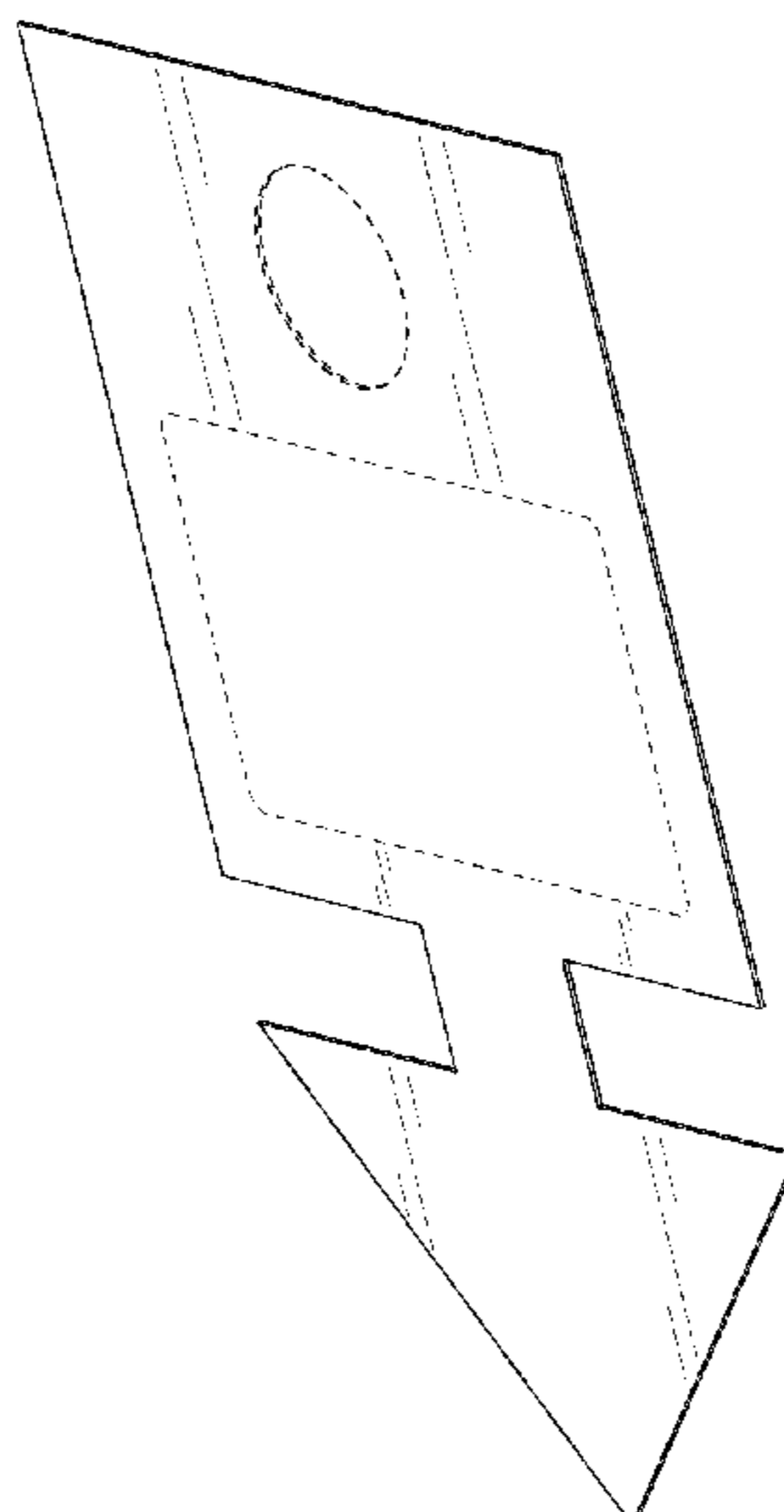
(57) **CLAIM**

The ornamental design for a packet with integral connector tab, as shown and described.

DESCRIPTION

FIG. 1 is a perspective view of packet with integral connector tab showing my new design; FIG. 2 is a front elevation thereof; FIG. 3 is a rear elevation thereof; FIG. 4 is a left side elevation thereof; FIG. 5 is a right side view thereof; FIG. 6 is a top view thereof; and, FIG. 7 is a bottom plan view thereof. In the drawings, the dashed lines in FIGS. 1-7 are included to show environmental features and portions of the packet with integral connector tab that form no part of the claimed design.

1 Claim, 5 Drawing Sheets



(56)

References Cited

U.S. PATENT DOCUMENTS

D667,312	S	9/2012	Risgalla	
D670,573	S	11/2012	McDermott	
8,376,183	B1	2/2013	Rosen	
D698,663	S	2/2014	Lin	
D744,352	S	12/2015	Quarles	
D744,853	S	* 12/2015	Murray D9/707
D768,006	S	10/2016	Pitts	
2003/0213707	A1	11/2003	Clay	
2005/0188652	A1	9/2005	Davolio et al.	
2006/0169604	A1	8/2006	Clay	

* cited by examiner

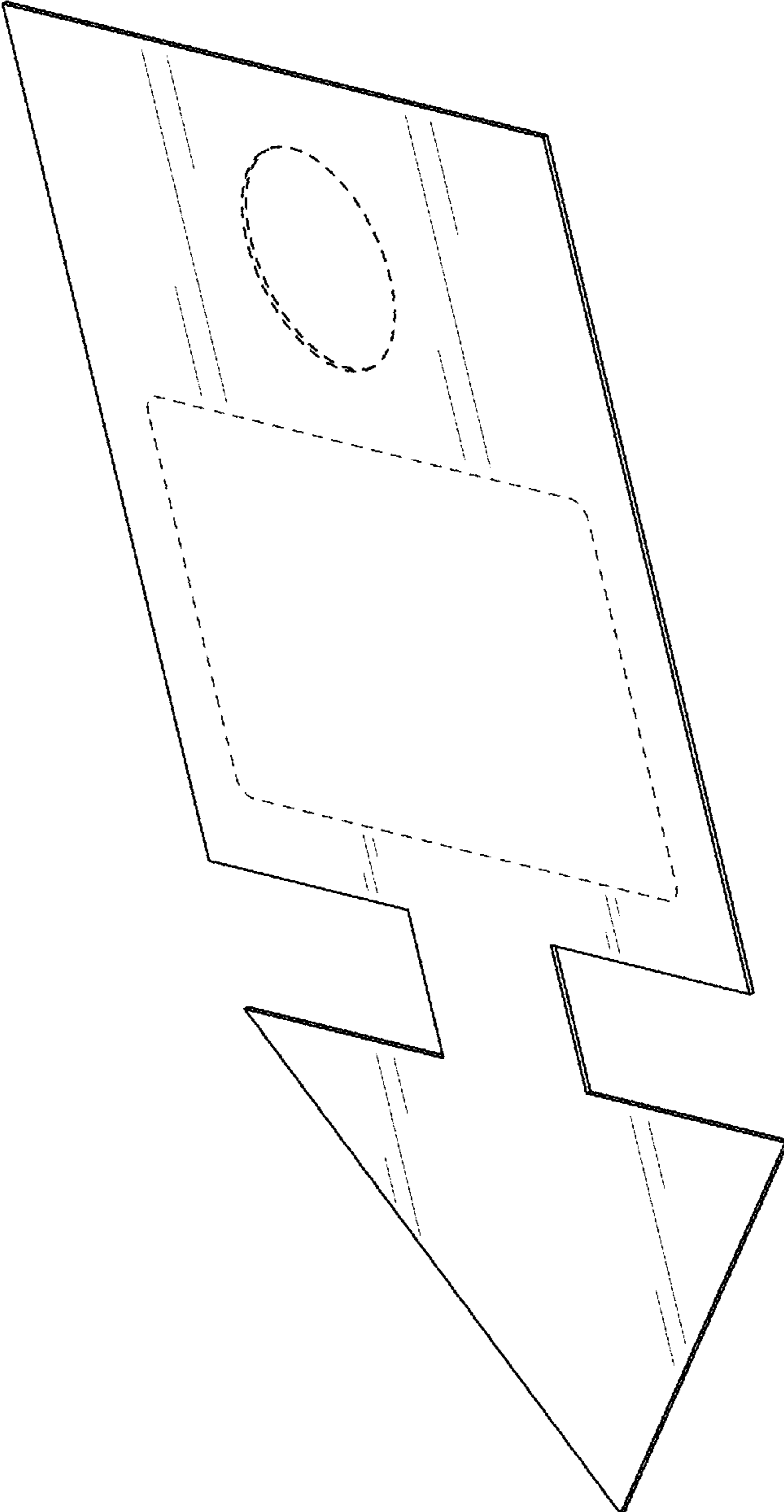


FIG. 1

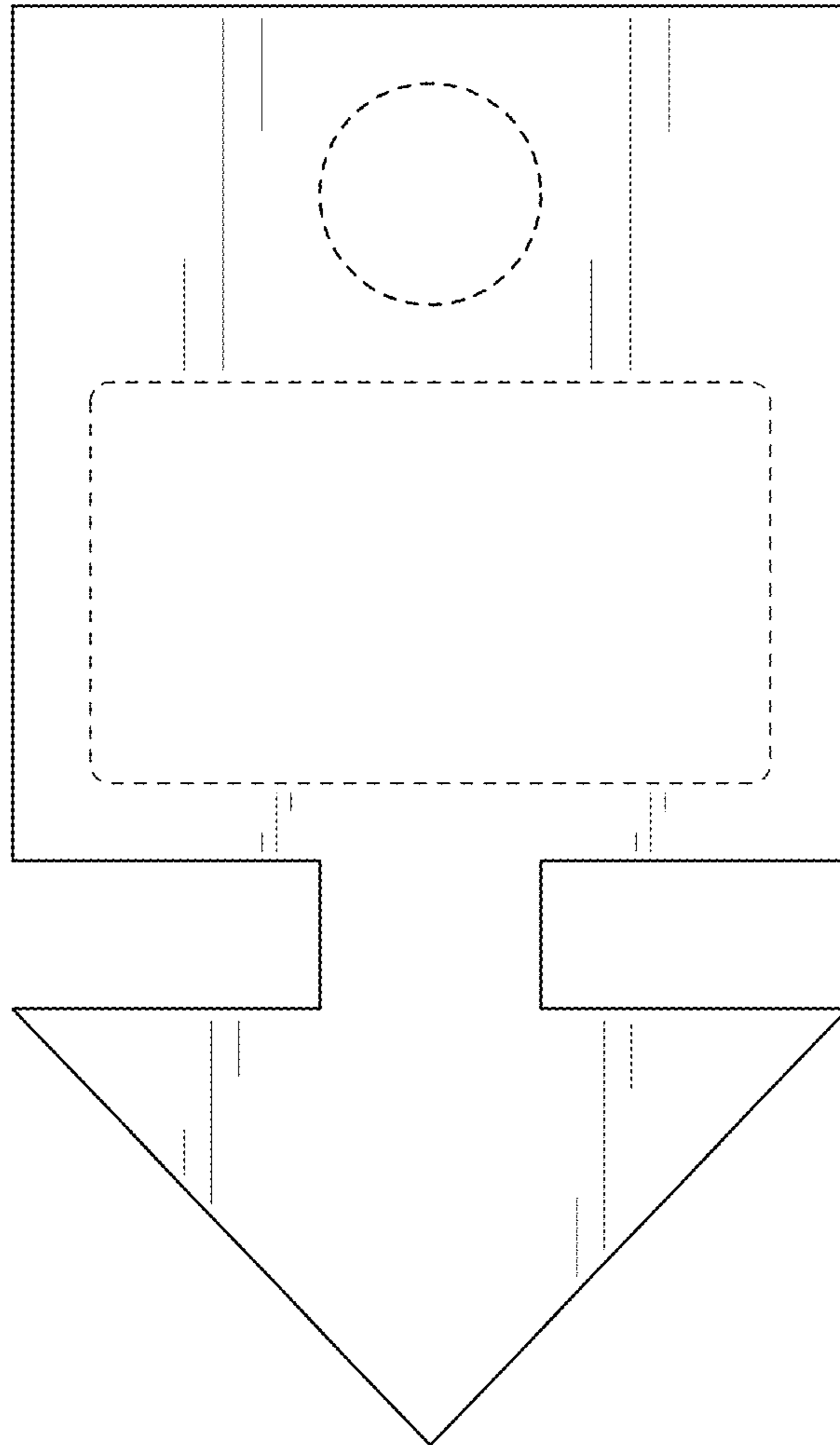


FIG. 2

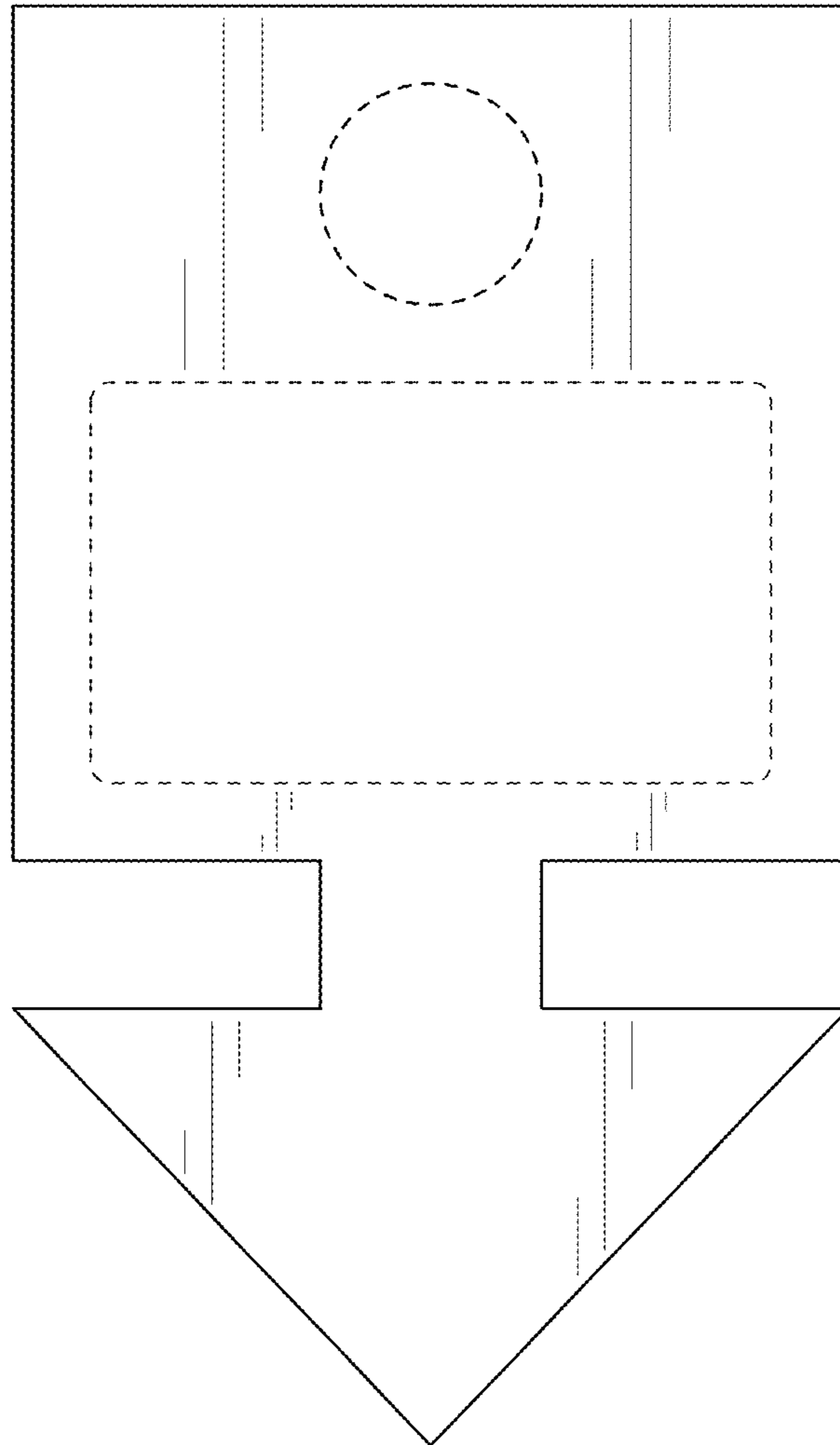


FIG. 3



FIG. 4

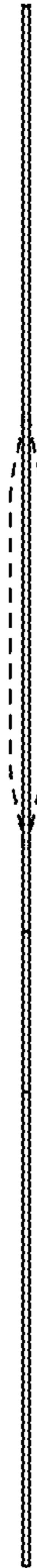


FIG. 5

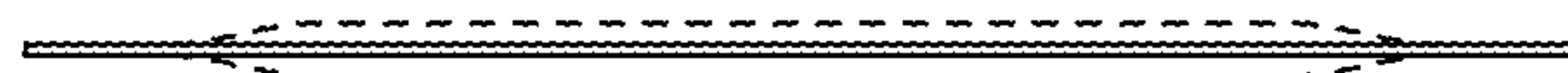


FIG. 6

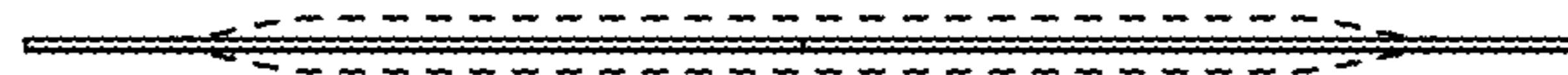


FIG. 7