



US00D818371S

(12) **United States Design Patent**
Hablutzel et al.

(10) **Patent No.:** **US D818,371 S**

(45) **Date of Patent:** **** May 22, 2018**

(54) **PACKAGE**

(71) Applicant: **The Procter & Gamble Company**,
Cincinnati, OH (US)

(72) Inventors: **Molly Ann Hablutzel**, Burlington, KY
(US); **Lee Anne Hilsabeck**, Cincinnati,
OH (US); **Keith Alvarado**, Cincinnati,
OH (US)

(73) Assignee: **The Procter & Gamble Company**,
Cincinnati, OH (US)

(**) Term: **15 Years**

(21) Appl. No.: **29/574,871**

(22) Filed: **Aug. 19, 2016**

(51) **LOC (11) Cl.** **09-01**

(52) **U.S. Cl.**
USPC **D9/629; D9/434**

(58) **Field of Classification Search**
USPC D9/414-434, 442-445, 456, 457, 542,
D9/563, 600, 614-624, 629, 655, 657,
D9/658, 661, 685, 696, 697-699, 707,
D9/708, 711, 754, 759, 772-776;
D3/273, 276, 304, 305, 307; D7/601,
D7/602, 709

CPC B65D 5/00; B65D 5/001; B65D 5/0015;
B65D 5/0227-5/0254; B65D 5/18; B65D
5/38; B65D 5/40; B65D 5/2033; B65D
5/6605; B65D 5/48024; B65D 1/22;
B65D 1/24; B65D 1/34; B65B 5/06

See application file for complete search history.

(56) **References Cited**

U.S. PATENT DOCUMENTS

D548,074 S * 8/2007 El-Afandi D9/416
D552,465 S * 10/2007 Ringo D3/273

D600,548 S * 9/2009 Seol D9/432
D632,172 S * 2/2011 Harvey D9/432
D661,094 S * 6/2012 Meyer D3/304
D708,055 S * 7/2014 Elston D9/423
D729,069 S * 5/2015 Ajichi D9/432
D730,741 S * 6/2015 Reinmuth D9/434
D746,671 S * 1/2016 Fohner D9/414
D751,917 S * 3/2016 Reinmuth D9/629
D772,072 S * 11/2016 Klopp D9/629

OTHER PUBLICATIONS

Large Theme Box: Layered Hearts. [online] Published date unknown. Retrieved on Jul. 17, 2017 from <URL: <http://www.gift-basket-supplies.com/contents/en-us/p71541.html>>.*

* cited by examiner

Primary Examiner — Vy N Koenig

Assistant Examiner — Omeed Agilee

(74) *Attorney, Agent, or Firm* — Wednesday G. Shipp

(57) **CLAIM**

The ornamental design for a package, as shown and described.

DESCRIPTION

FIG. 1 is a perspective view of a package showing our new design;

FIG. 2 is a front elevational view thereof;

FIG. 3 is a rear elevational view thereof;

FIG. 4 is a left side elevational view thereof;

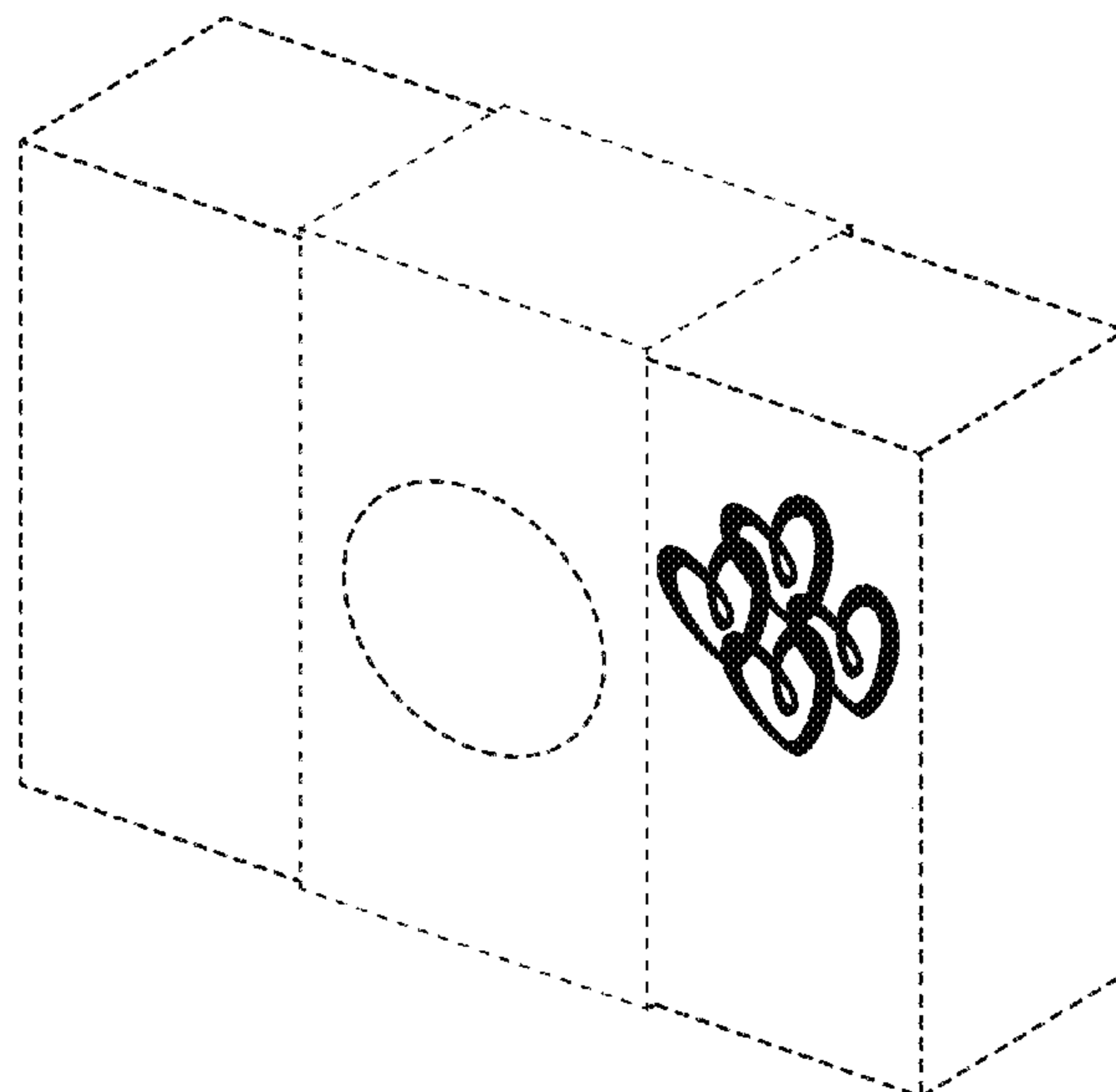
FIG. 5 is a right side elevational view thereof;

FIG. 6 is a top plan view thereof; and,

FIG. 7 is a bottom plan view thereof.

The claim comprises only the solid lines shown in the figures. The broken lines are included for the purpose of illustrating environment and form no part of the claimed design.

1 Claim, 5 Drawing Sheets



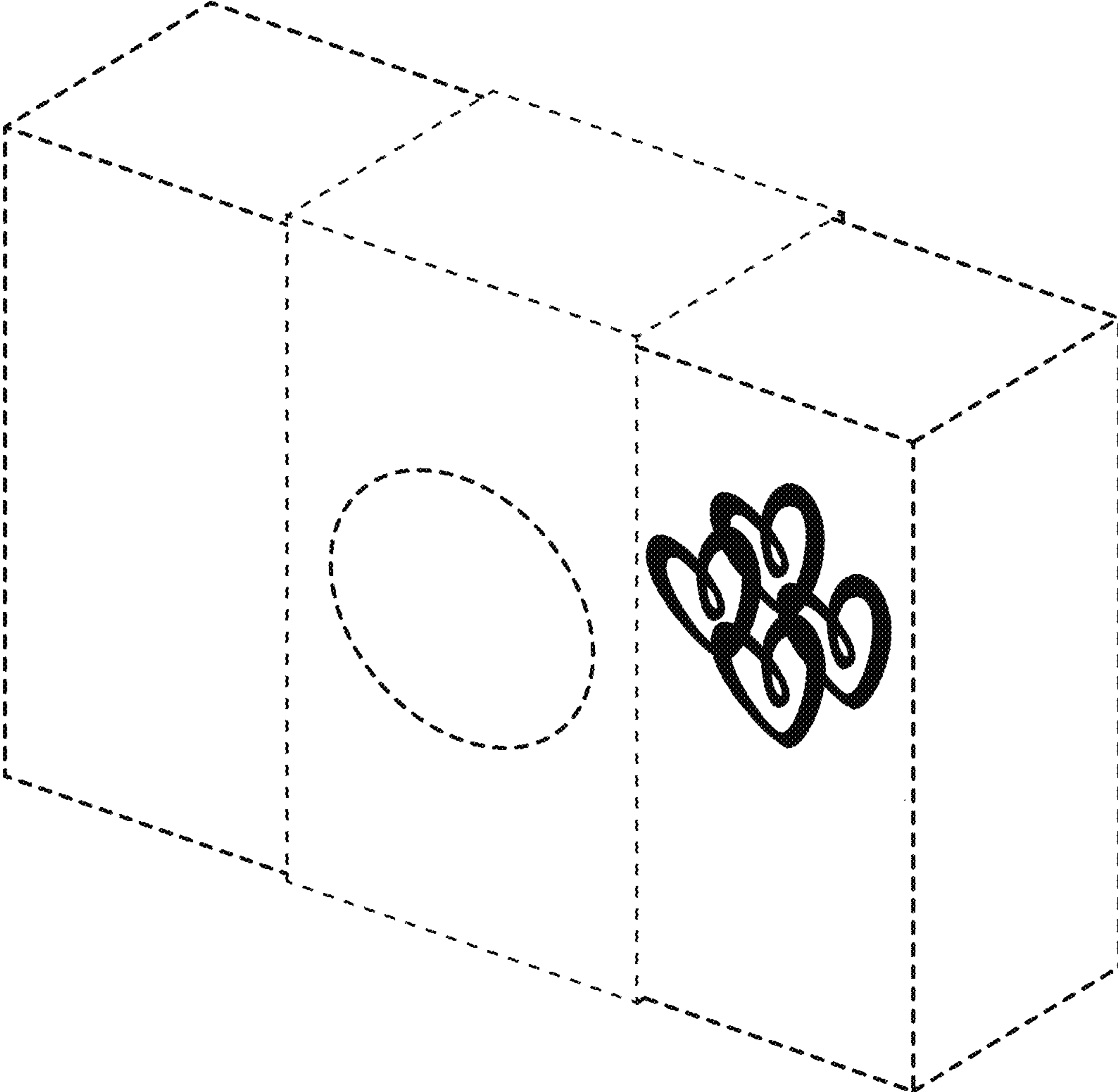


Fig. 1

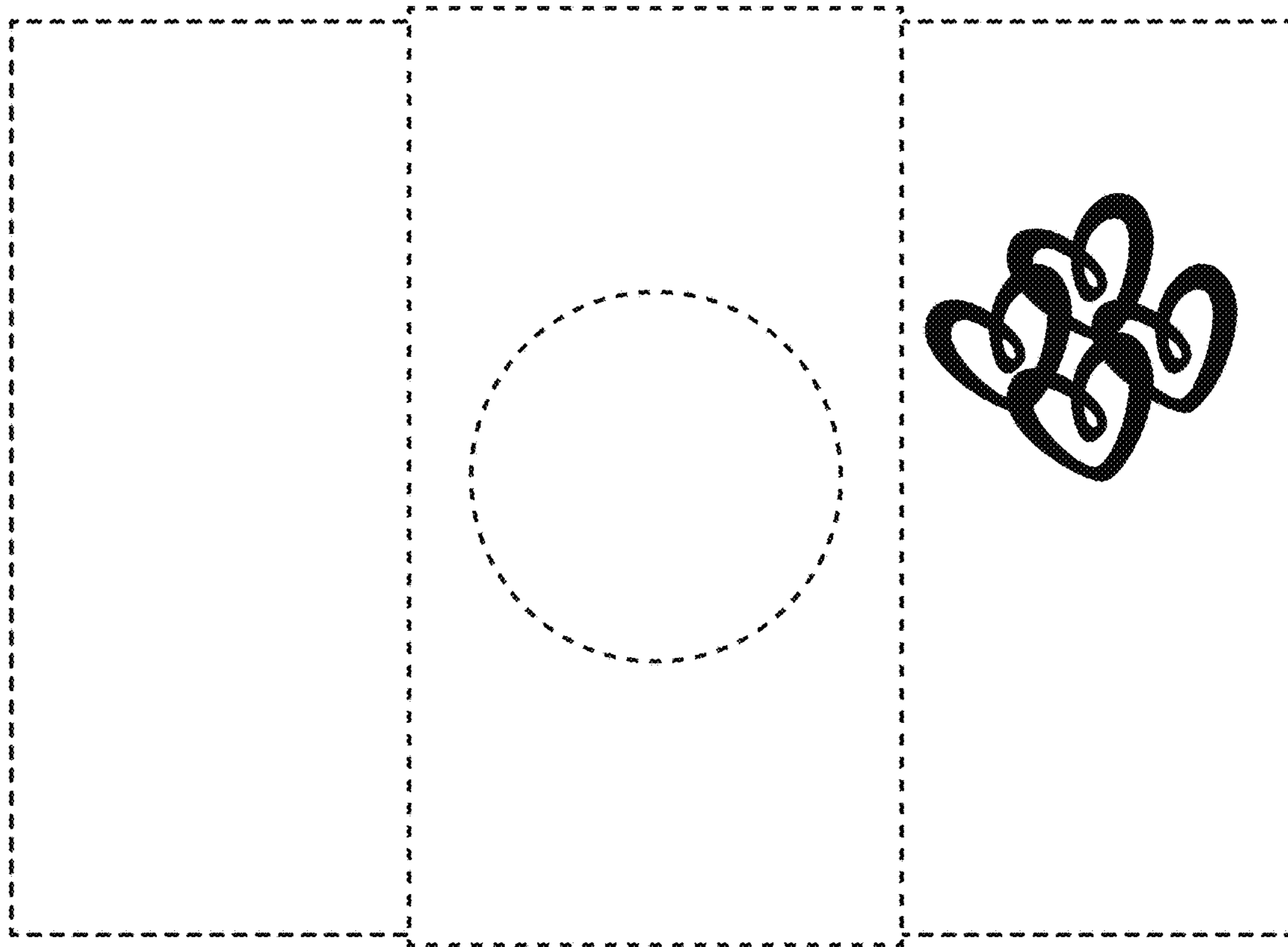


Fig. 2

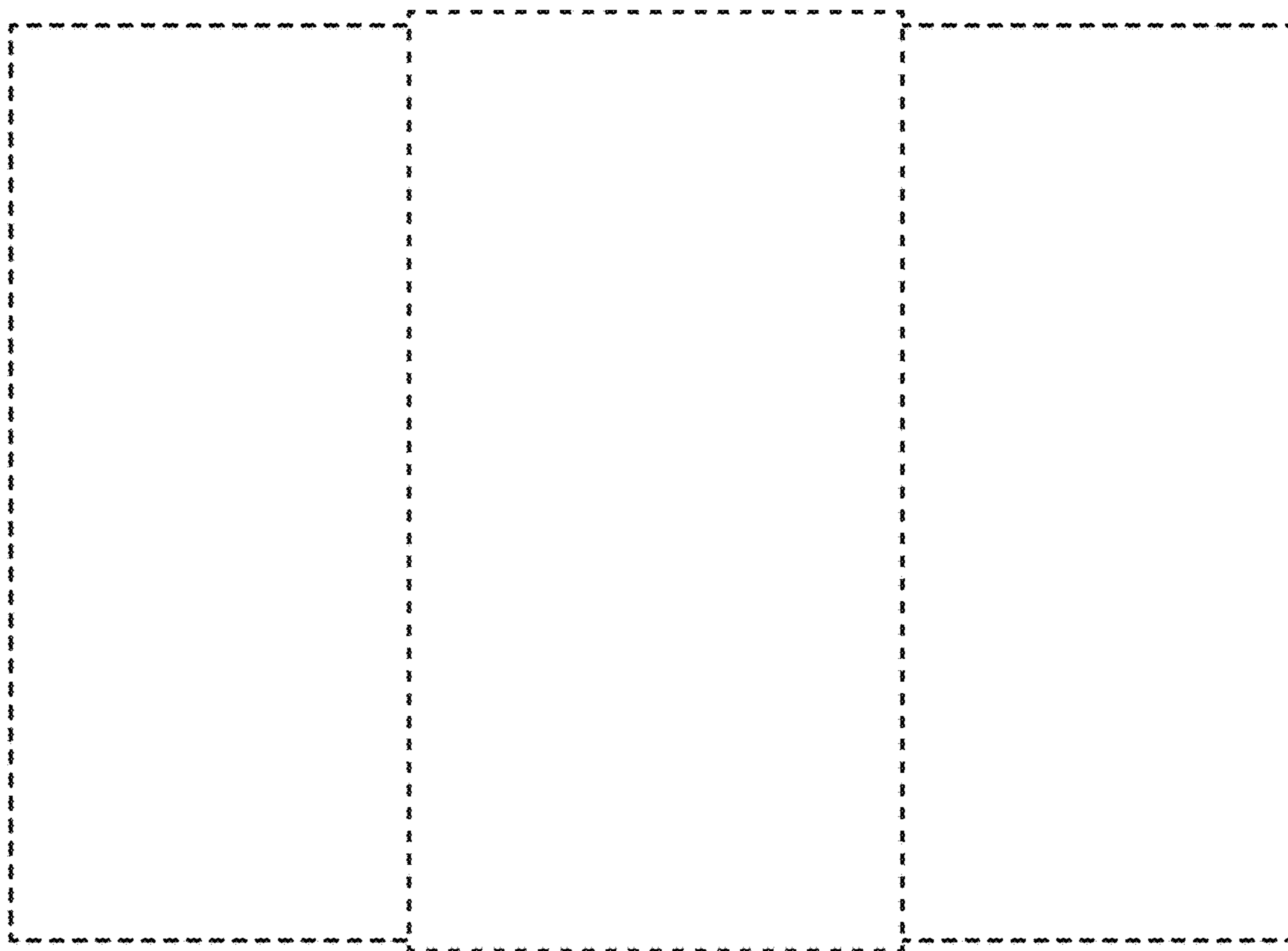


Fig. 3

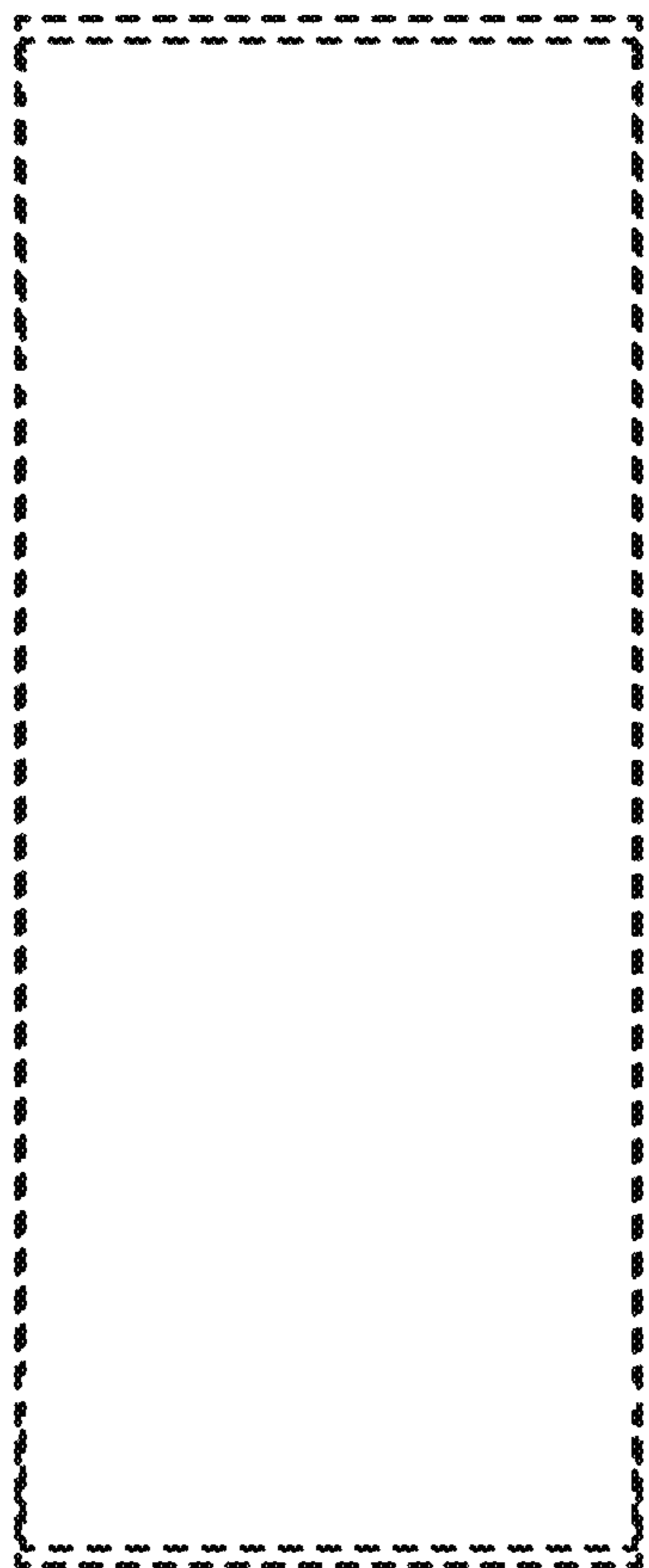


Fig. 4

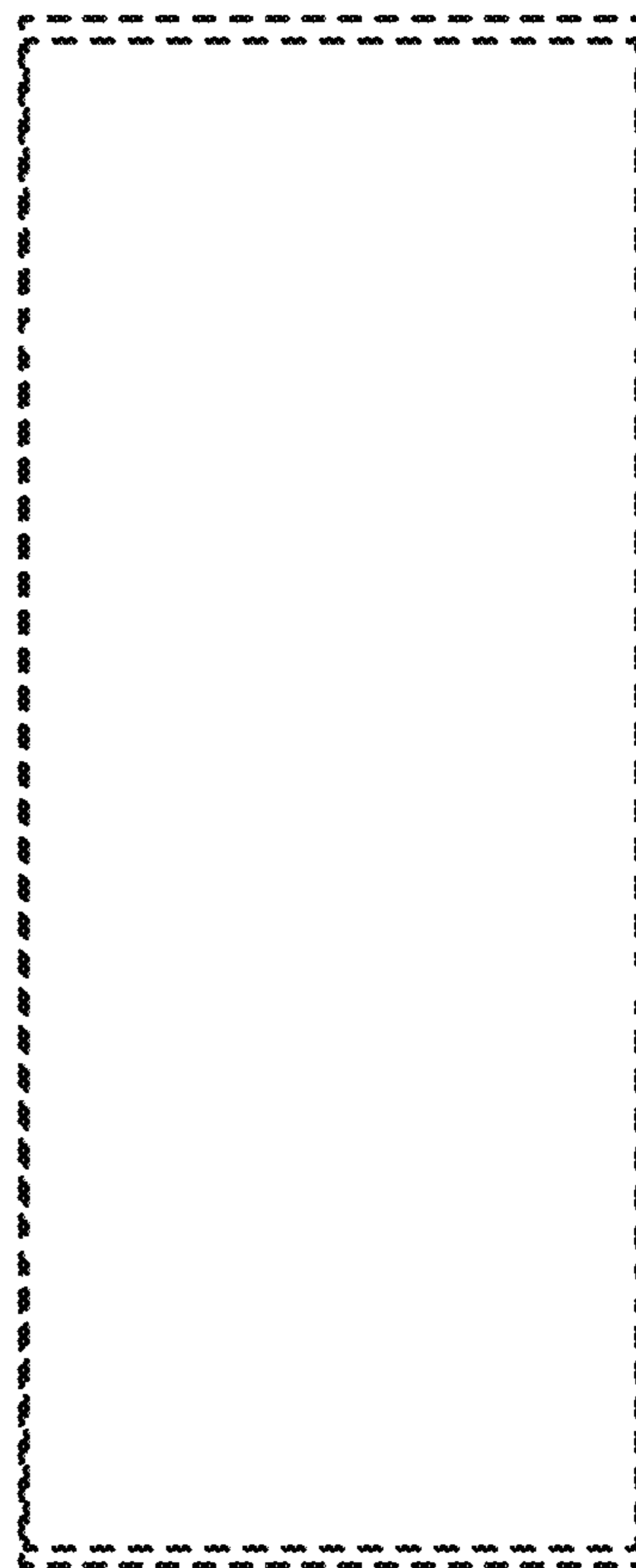


Fig. 5



Fig. 6



Fig. 7