



US00D818369S

(12) **United States Design Patent** (10) **Patent No.:** **US D818,369 S**  
**Jasso Gomez** (45) **Date of Patent:** **\*\* May 22, 2018**

(54) **BOTTLE**

(71) Applicant: **Industrias Alen, S.A. de C.V.**, Santa Catarina (MX)

(72) Inventor: **Alpha Edith Jasso Gomez**, Monterrey (MX)

(73) Assignee: **Industrias Alen, S.A. de C.V.**, Santa Catarina (MX)

(\*\*) Term: **15 Years**

(21) Appl. No.: **29/569,733**

(22) Filed: **Jun. 30, 2016**

(30) **Foreign Application Priority Data**

Jun. 14, 2016 (MX) ..... MX/F/2016/001849

(51) **LOC (11) Cl.** ..... **09-01**

(52) **U.S. Cl.**  
USPC ..... **D9/556**

(58) **Field of Classification Search**

USPC ..... D9/519-521, 529-543, 549, 556, 558,  
D9/574; 215/206, 229, 381; 220/674,  
220/710, 837; 222/182, 209, 252  
CPC ..... A47K 10/421; B65D 1/02; B65D 1/26;  
B65D 3/04; B65D 11/00; B65D 11/02;  
B65D 81/3837; B65D 85/72

See application file for complete search history.

(56) **References Cited**

**U.S. PATENT DOCUMENTS**

D315,292 S \* 3/1991 Seager ..... D9/688  
D411,750 S \* 6/1999 Forecast ..... D9/520

D492,193 S \* 6/2004 Miller ..... D9/688  
D540,682 S \* 4/2007 Shurtleff ..... D9/444  
D580,274 S \* 11/2008 Abel ..... D9/689  
D608,655 S \* 1/2010 Brewer ..... D9/689  
D647,806 S \* 11/2011 Toh ..... D9/688  
D658,072 S \* 4/2012 Davis ..... D9/689  
8,622,256 B2 \* 1/2014 Campbell ..... B65D 83/205  
222/153.11  
2008/0173653 A1 \* 7/2008 Hainaut ..... B65D 1/0223  
220/669

\* cited by examiner

*Primary Examiner* — Derrick E Holland

*Assistant Examiner* — Janice Julia Patyk

(74) *Attorney, Agent, or Firm* — Jeffrey T. Placker;  
Holland & Knight LLP

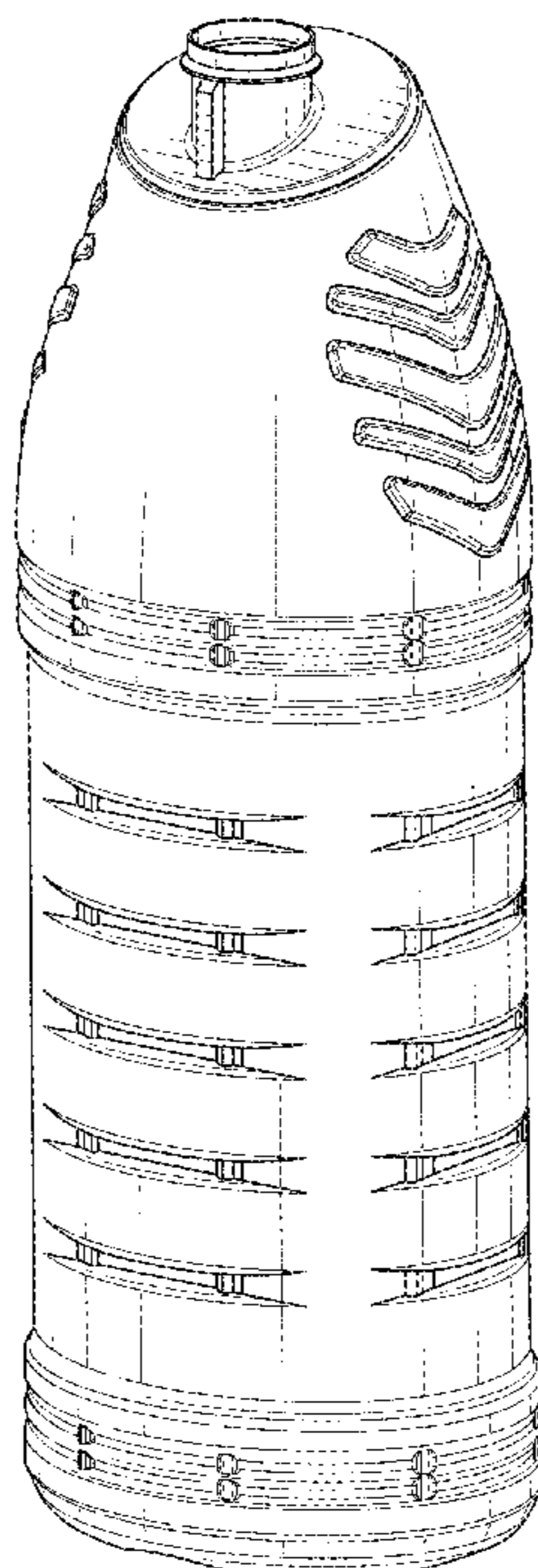
(57) **CLAIM**

The ornamental design for a bottle, as shown and described.

**DESCRIPTION**

FIG. 1 is a front perspective view of a bottle, showing my new design;  
FIG. 2 is a front elevational view thereof;  
FIG. 3 is a right side elevational view thereof, with the left side being a mirror image of the right side;  
FIG. 4 is a rear elevational view thereof;  
FIG. 5 is a top plan view thereof; and,  
FIG. 6 is a bottom plan view thereof.  
The broken lines in the figures illustrate the portions of the design that form no part of the claimed design.

**1 Claim, 5 Drawing Sheets**



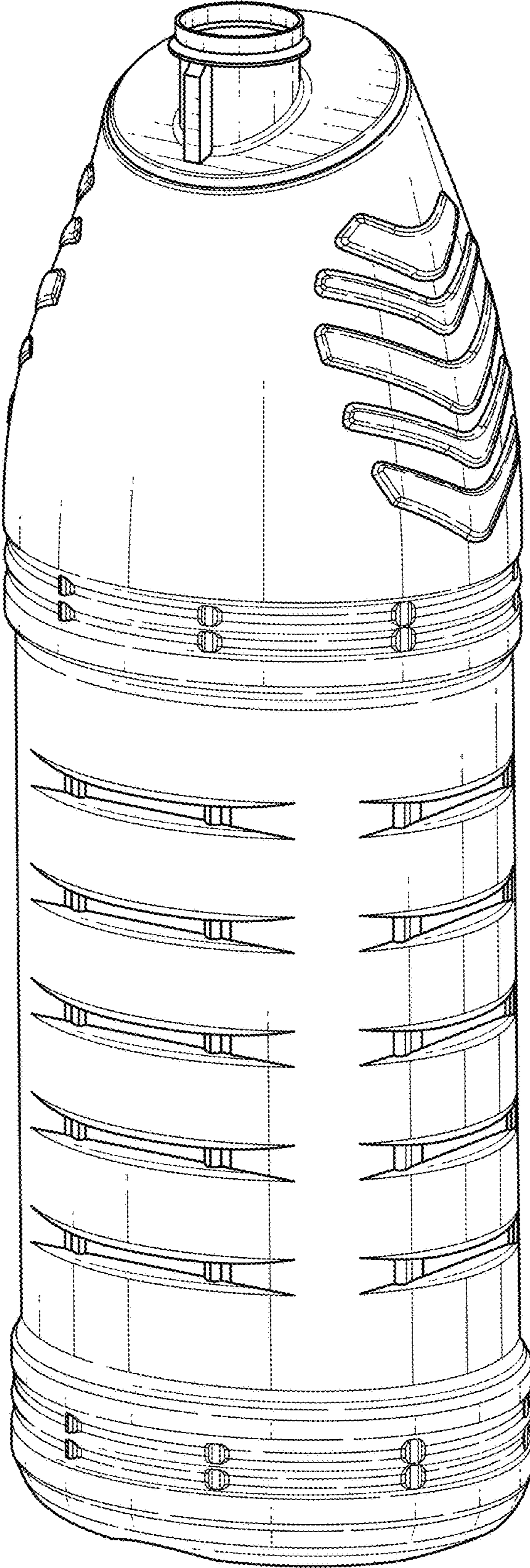


FIG. 1

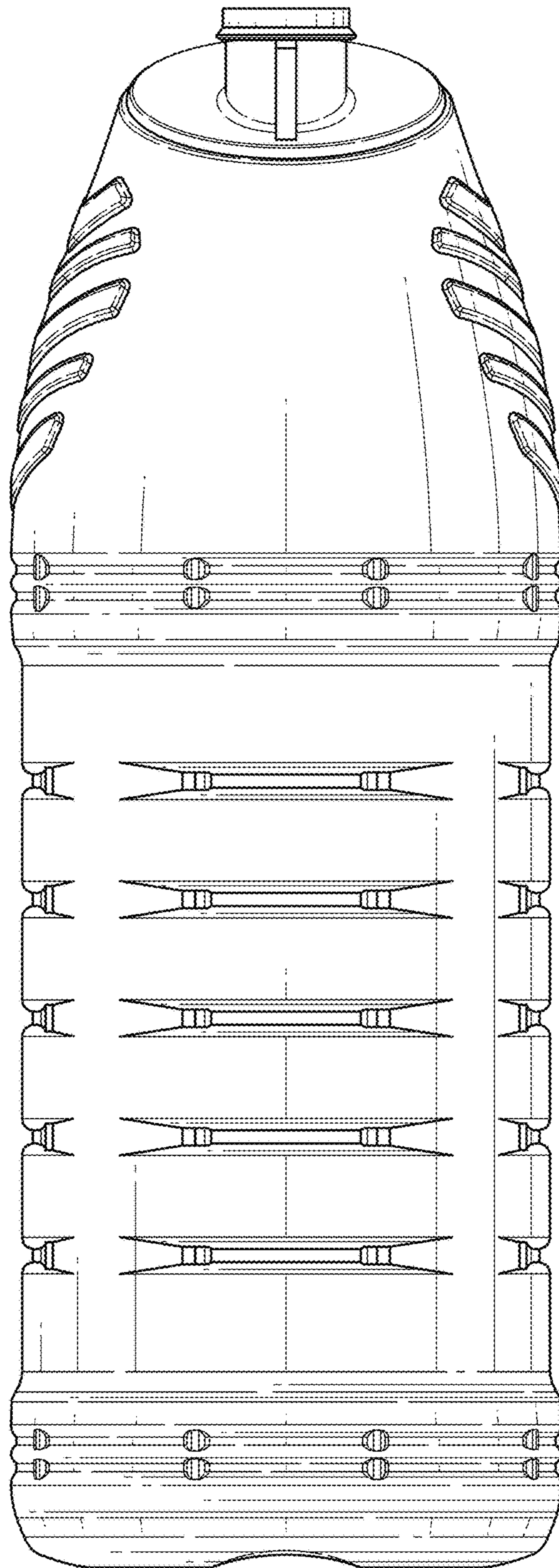


FIG. 2

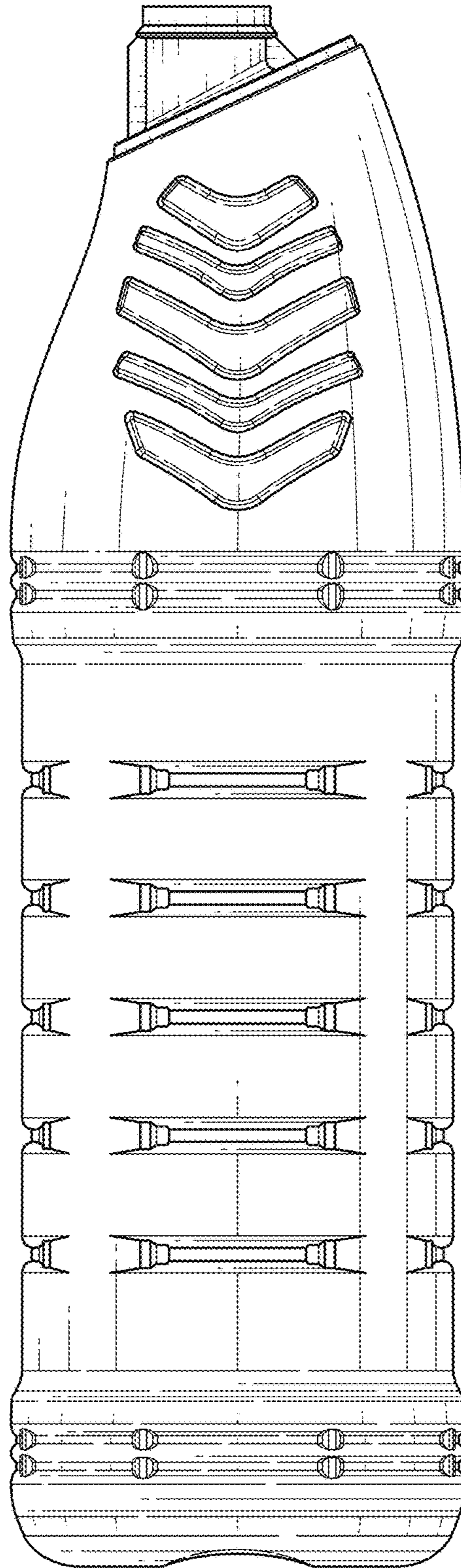


FIG. 3

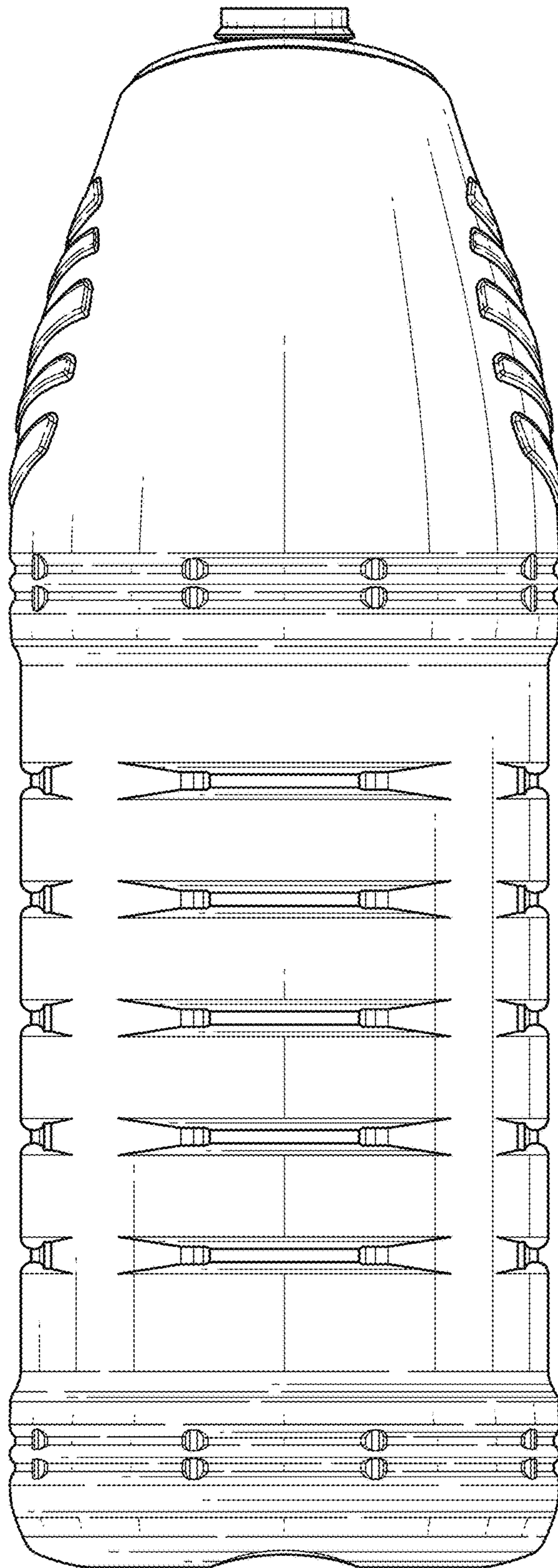


FIG. 4

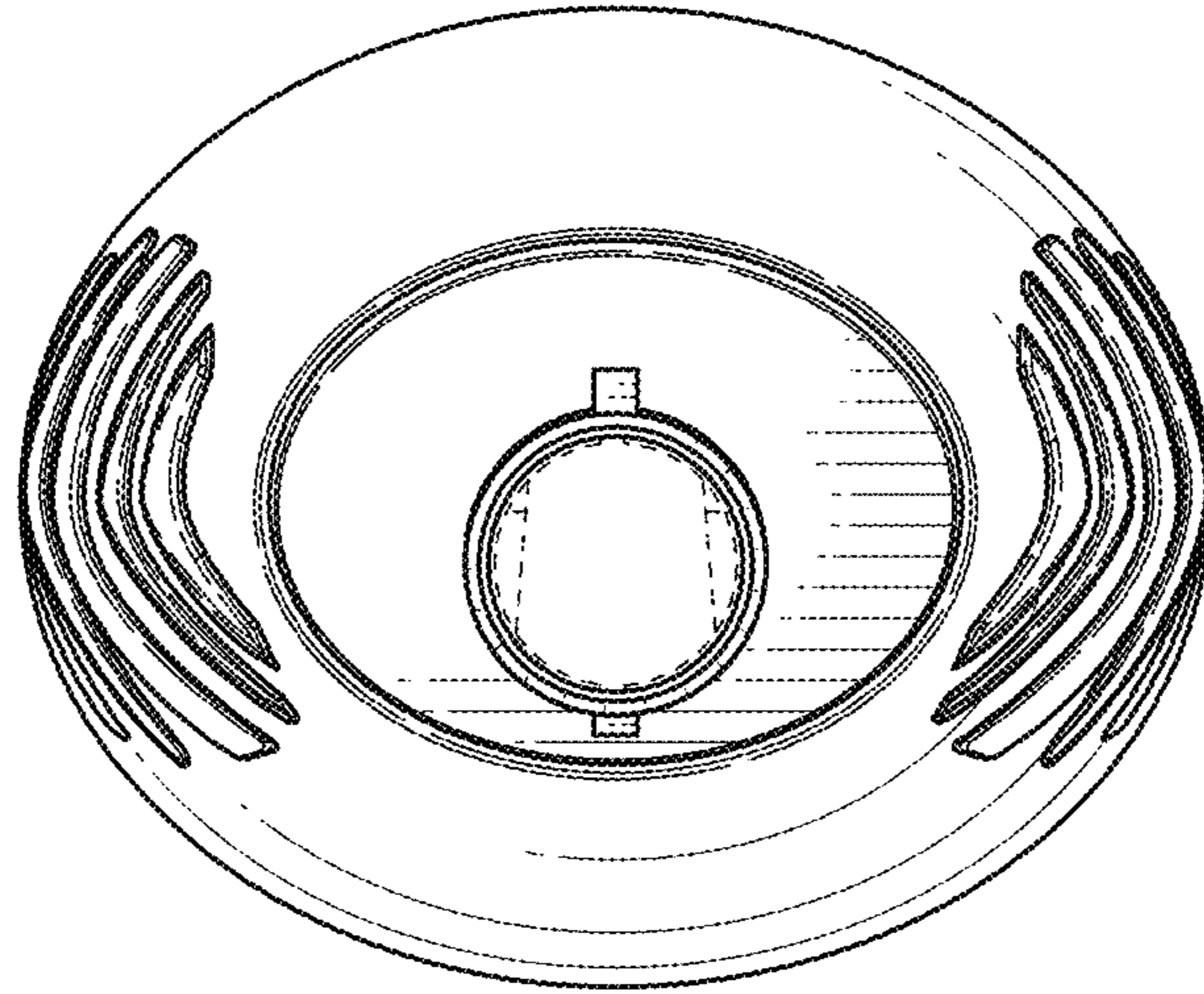


FIG. 5

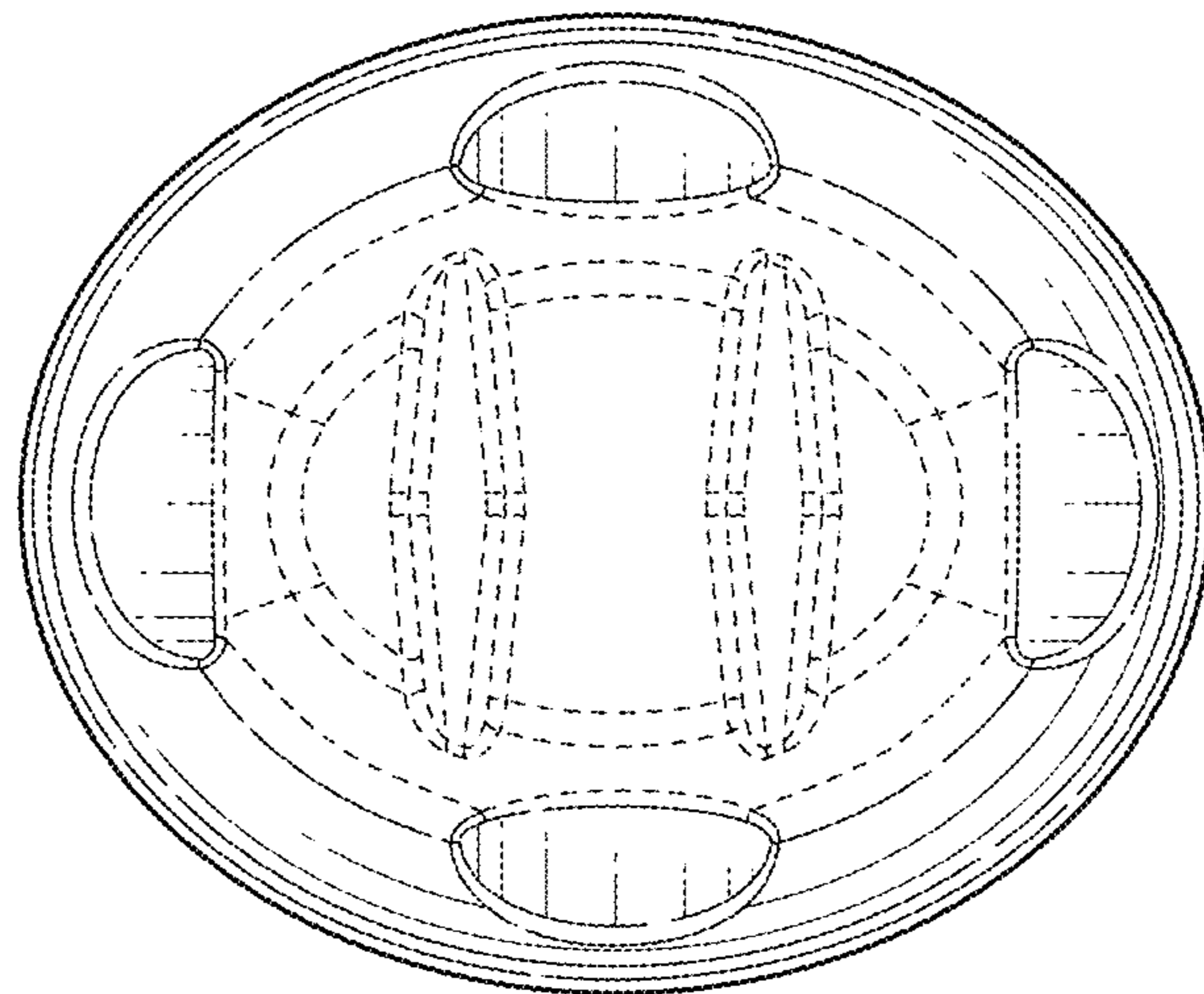


FIG. 6