



US00D818367S

(12) **United States Design Patent** (10) **Patent No.:** **US D818,367 S**  
**Pontes et al.** (45) **Date of Patent:** **\*\* May 22, 2018**

(54) **FLASK**  
(71) Applicant: **Natura Cosméticos S.A.**, Itapecerica da Serra (BR)  
(72) Inventors: **Nathalia Moschiar Pontes**, Itapecerica da Serra (BR); **Wagner Silva**, Itapecerica da Serra (BR); **Rafael Aparecido Caponegri**, Itapecerica da Serra (BR); **Leonardo Massarelli Cardoso**, São Paulo (BR); **Flavio Di Sarno**, São Paulo (BR); **Eduardo de Mattos Egydio**, Itapecerica da Serra (BR)  
(73) Assignee: **NATURA COSMÉTICOS S.A.**, São Paulo, SP (BR)  
(\*\*) Term: **15 Years**  
(21) Appl. No.: **29/540,746**  
(22) Filed: **Sep. 28, 2015**

(30) **Foreign Application Priority Data**  
Apr. 15, 2015 (BR) ..... 302015001750  
(51) **LOC (11) Cl.** ..... **09-01**  
(52) **U.S. Cl.**  
USPC ..... **D9/529**  
(58) **Field of Classification Search**  
USPC ..... D9/434-435, 444-445, 516, 523, D9/529-530, 544, 682, 686, 693, 715, D9/719; D3/205; D7/300, 300.1, 598; D28/5  
CPC ..... B65D 1/00; B65D 1/02; B65D 1/0223; B65D 23/00; B65D 81/00; B65D 2501/00; B65D 2501/0009; B65D 2501/0081

See application file for complete search history.

(56) **References Cited**  
**U.S. PATENT DOCUMENTS**  
D344,894 S \* 3/1994 Bareiss ..... D9/522  
D345,306 S \* 3/1994 Bareiss ..... D9/522  
D345,505 S \* 3/1994 Bareiss ..... D9/516  
D469,694 S \* 2/2003 Lerolle ..... D19/180  
D546,690 S \* 7/2007 Rashid ..... D9/522  
D604,622 S \* 11/2009 Bohache ..... D9/529  
D609,099 S \* 2/2010 Oates ..... D9/522  
D612,736 S \* 3/2010 Pecora ..... D9/522  
D616,307 S \* 5/2010 Legros ..... D9/435  
D632,963 S \* 2/2011 Hale ..... D9/438  
D649,466 S \* 11/2011 Oates ..... D9/522  
D665,263 S \* 8/2012 Sanghavi ..... D9/522  
D681,469 S \* 5/2013 Mishan ..... D9/435  
D699,117 S \* 2/2014 Snyder ..... D9/449  
D739,606 S \* 9/2015 DeMarco Staab ..... D28/76  
D746,144 S \* 12/2015 Vieira Santos ..... D9/537  
D758,664 S \* 6/2016 Van Maanen ..... D28/51  
D768,495 S \* 10/2016 Staab ..... D9/452

(Continued)

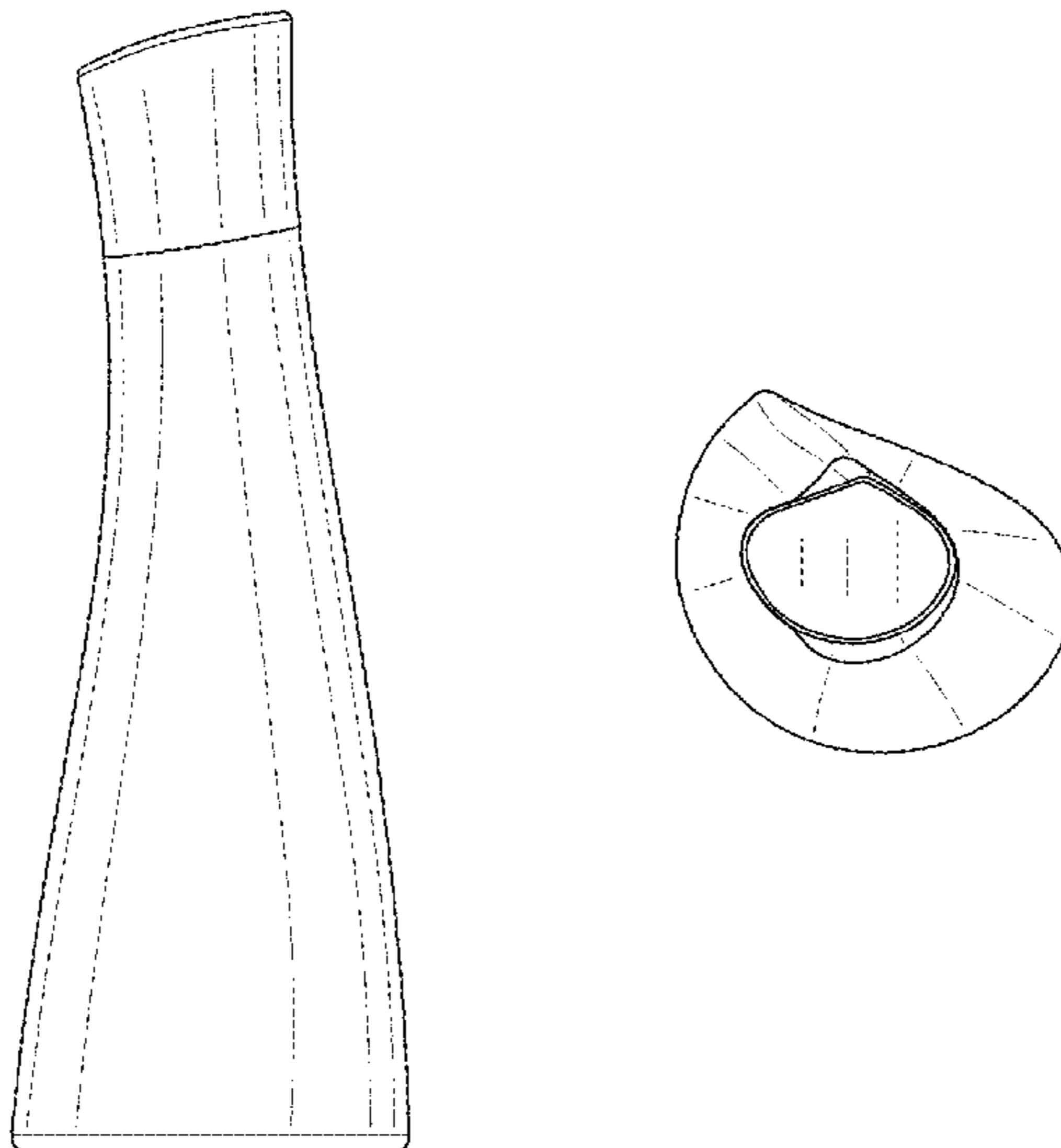
*Primary Examiner* — Ian Simmons  
*Assistant Examiner* — Keith Frank  
(74) *Attorney, Agent, or Firm* — B. Aaron Schulman, Esq.; Stites & Harbison, PLLC

(57) **CLAIM**  
The ornamental design for a flask, as shown and described.

**DESCRIPTION**

FIG. 1 is a top rear perspective view showing the new design for a flask;  
FIG. 2 is a front view thereof;  
FIG. 3 is a left side view thereof;  
FIG. 4 is a right side view thereof;  
FIG. 5 is a top view thereof;  
FIG. 6 is a bottom view thereof;  
FIG. 7 is a rear view thereof; and,  
FIG. 8 is a bottom rear perspective view thereof.

**1 Claim, 3 Drawing Sheets**



(56)

**References Cited**

U.S. PATENT DOCUMENTS

D768,500 S \* 10/2016 McIntire ..... D9/521  
D783,409 S \* 4/2017 Teller ..... D9/575

\* cited by examiner

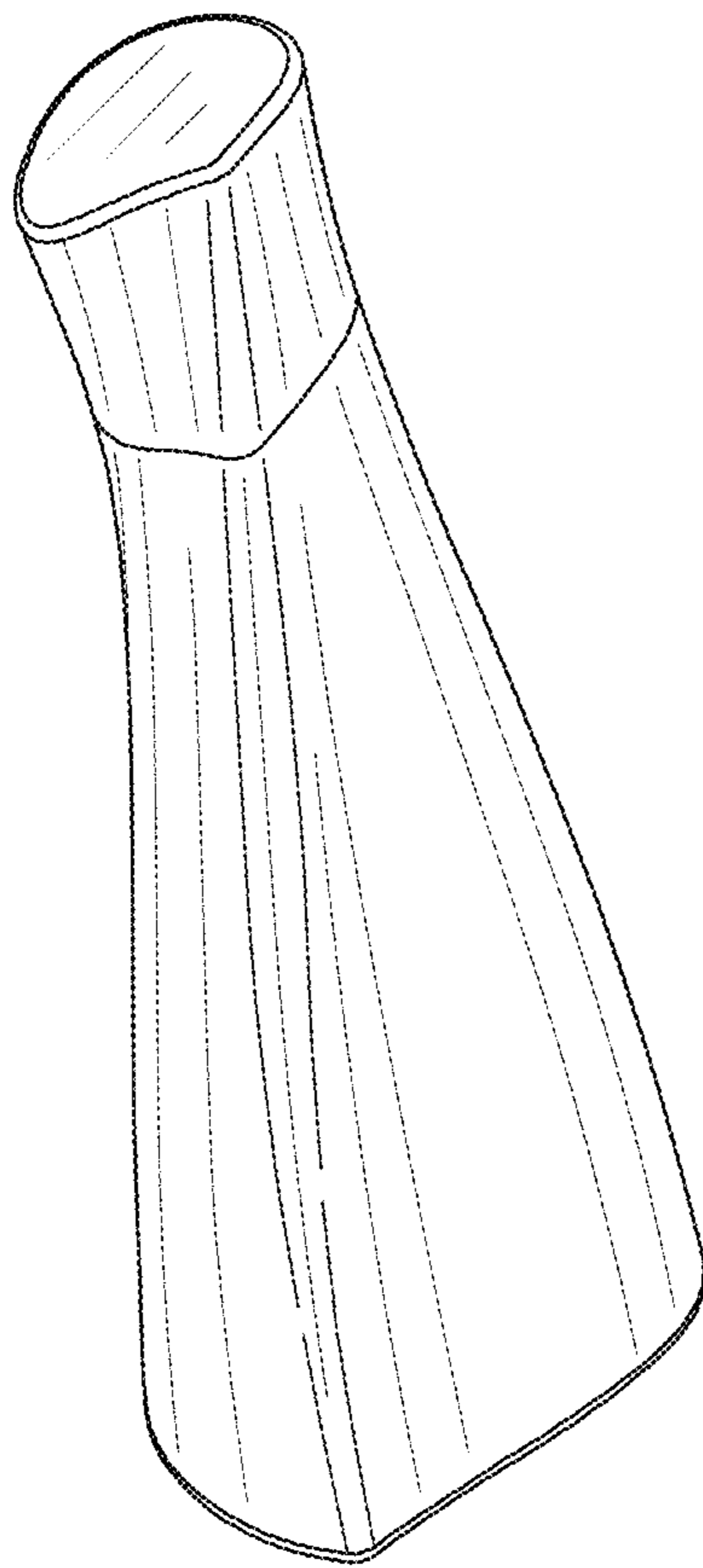


FIG. 1

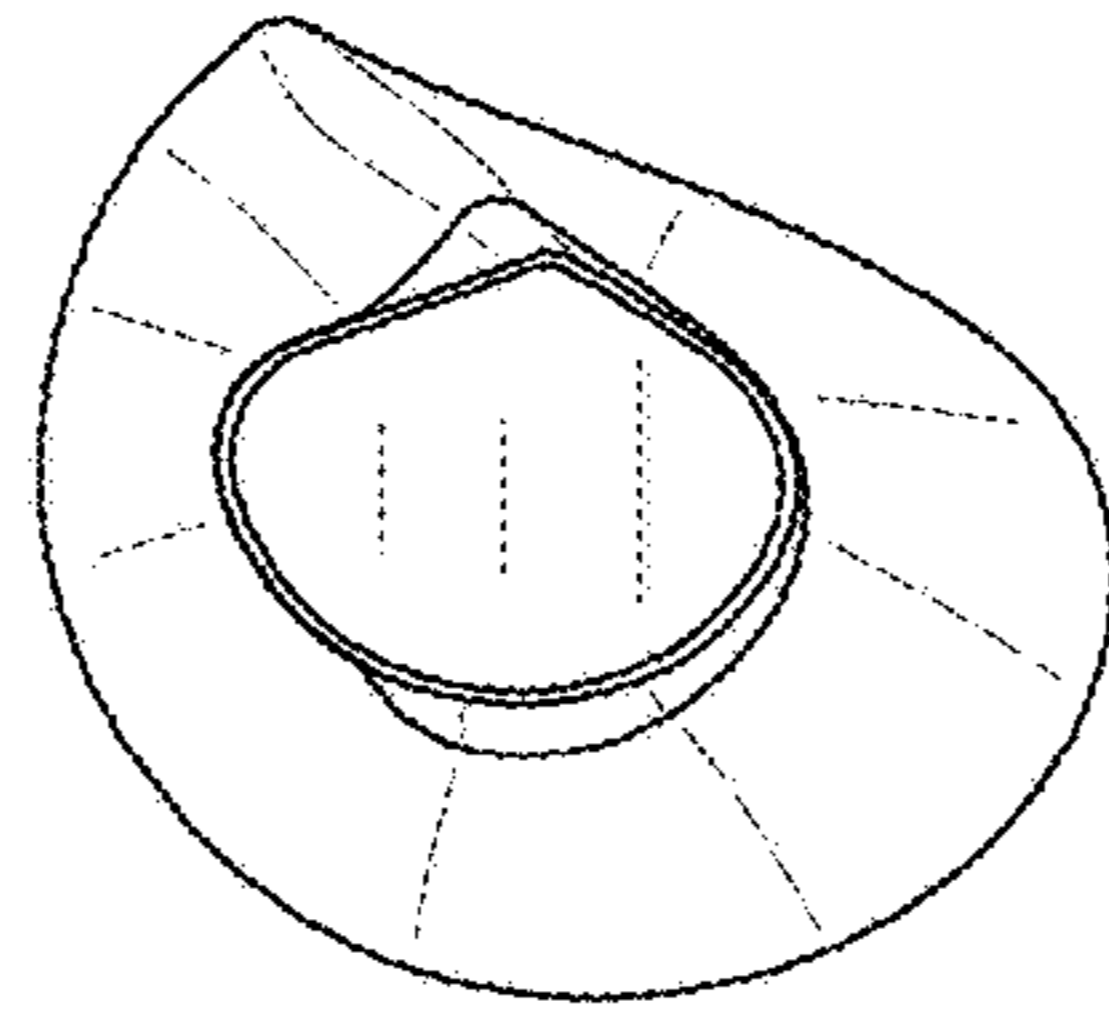


FIG. 5

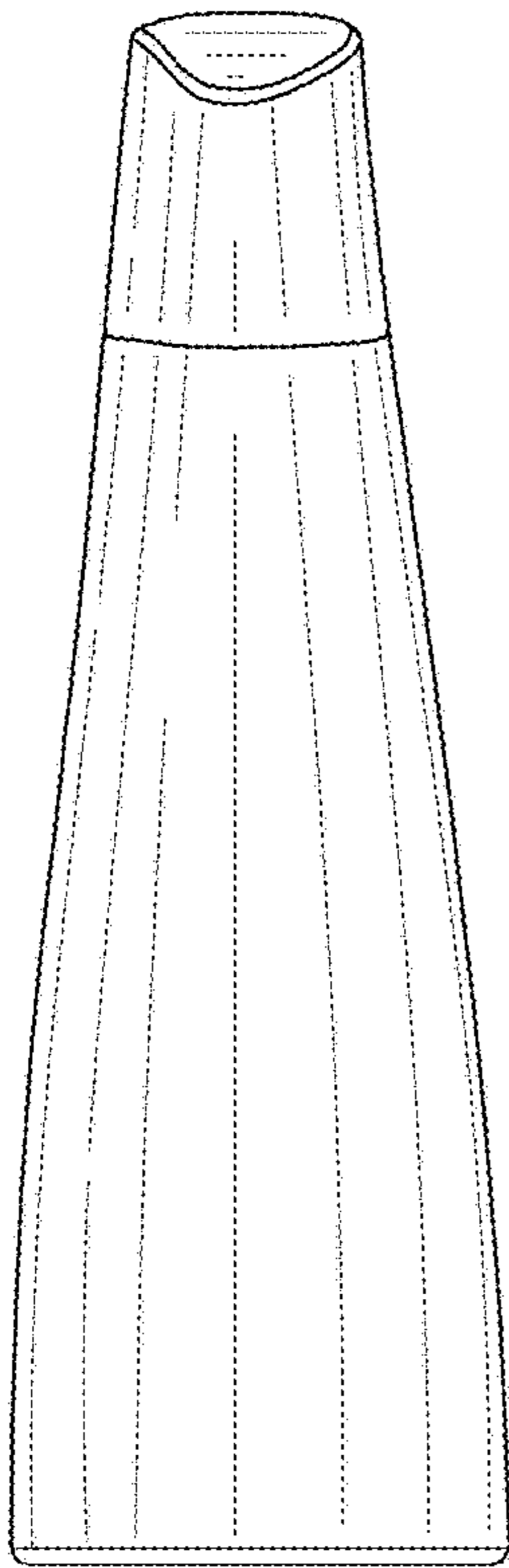


FIG. 3

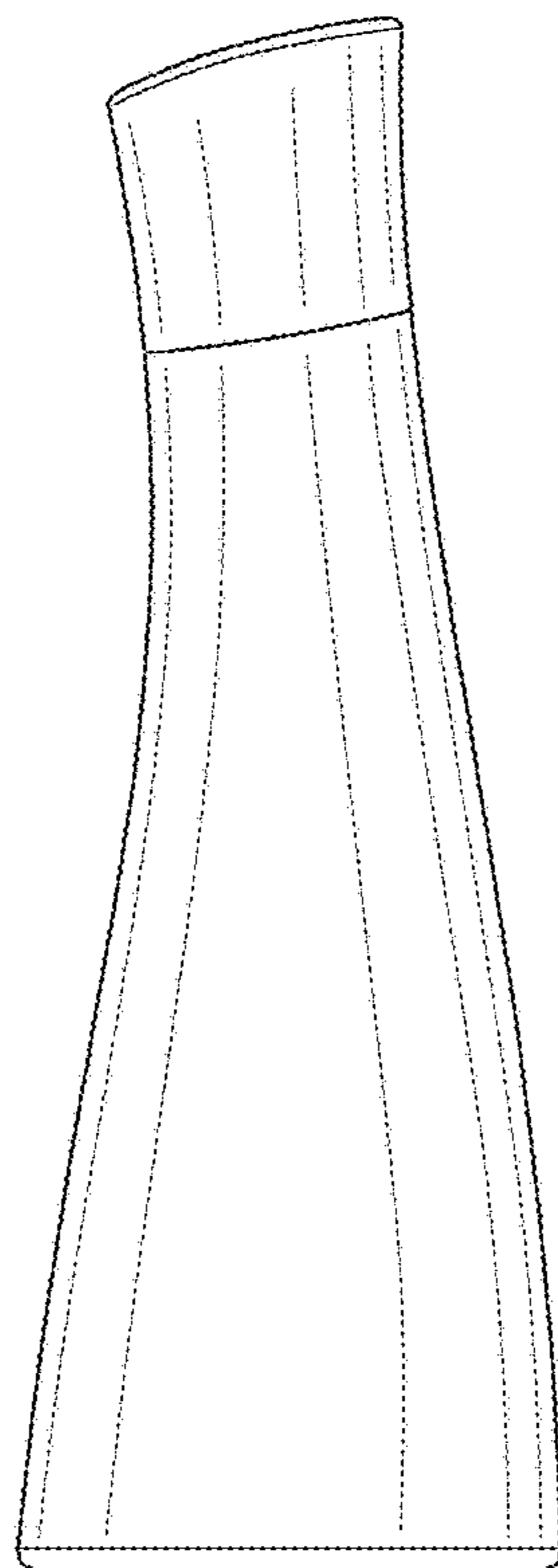


FIG. 2

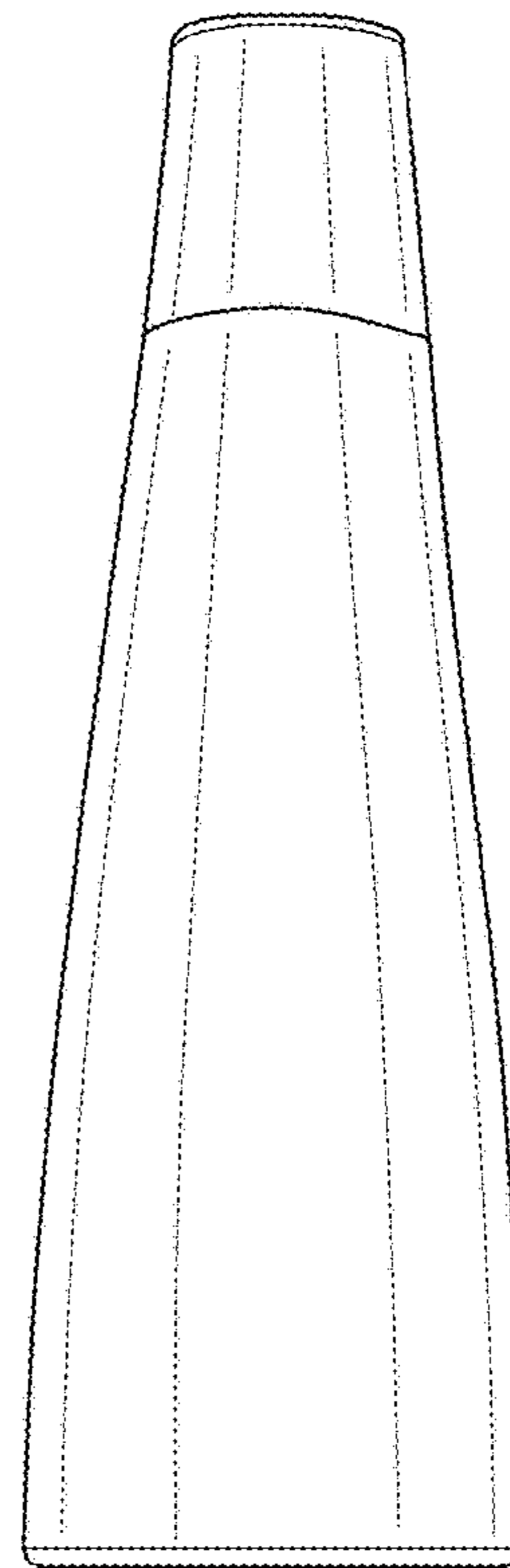


FIG. 4

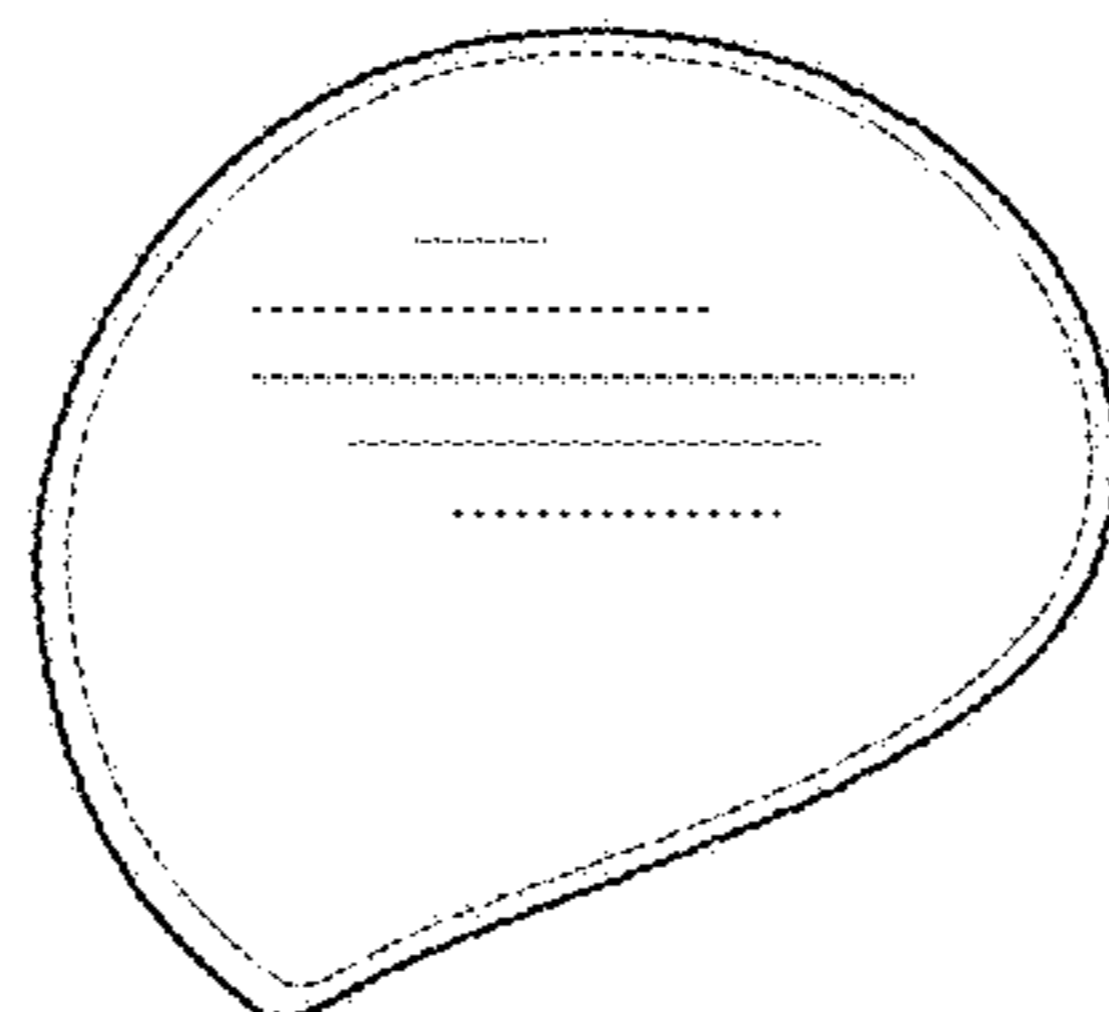


FIG. 6

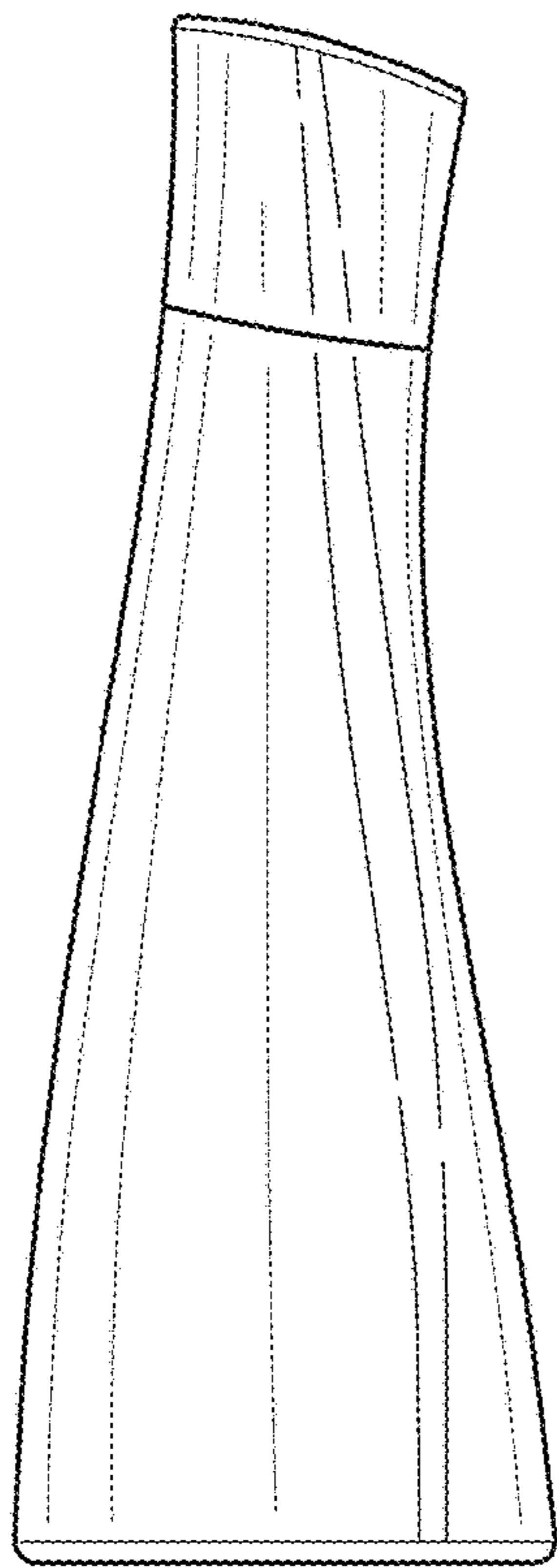


FIG. 7

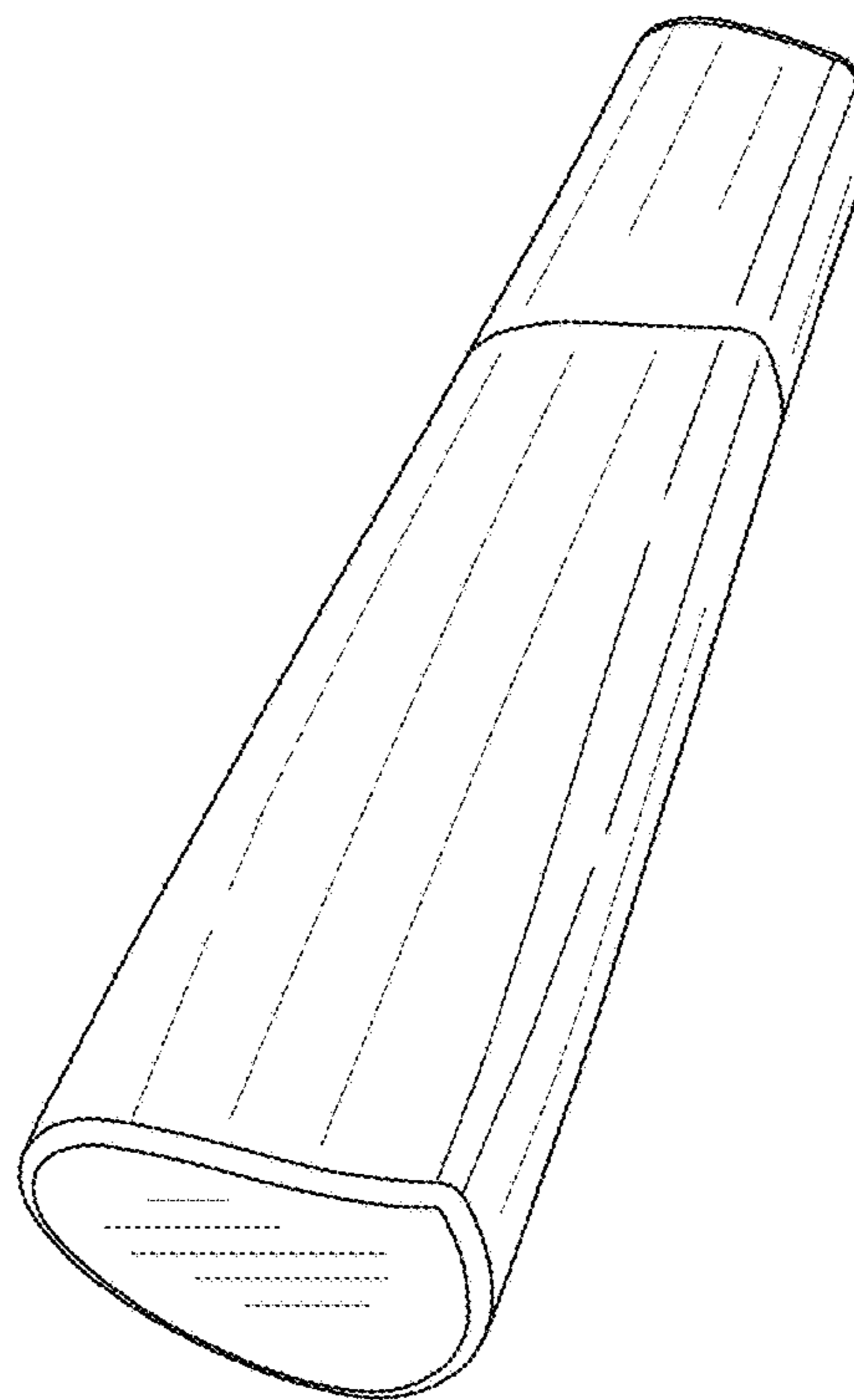


FIG. 8