



US00D818366S

(12) **United States Design Patent** (10) **Patent No.:** **US D818,366 S**
Gerhards et al. (45) **Date of Patent:** **** May 22, 2018**

(54) **BOTTLE**
(71) Applicant: **Henkel AG & Co. KGaA**, Duesseldorf (DE)
(72) Inventors: **Katja Gerhards**, Duesseldorf (DE); **Jeroen Canton**, Rotterdam (NL)
(73) Assignee: **Henkel AG & Co. KGaA** (DE)
(**) Term: **15 Years**

D334,344 S *	3/1993	Reif	D9/531
D462,011 S *	8/2002	Walther	D9/528
D562,141 S *	2/2008	Bates	D9/528
D569,732 S *	5/2008	Georg-Muhlhausen	D9/531
D576,046 S *	9/2008	Cardinal	D9/531
D609,578 S *	2/2010	Mayers	D9/528
D657,255 S *	4/2012	Weaver	D9/531
D658,499 S *	5/2012	Wycoff	D9/528
D661,593 S *	6/2012	Heidel	D9/516
D732,966 S *	6/2015	Davis	D9/531
D784,819 S *	4/2017	Meier	D9/528

(21) Appl. No.: **29/571,744**
(22) Filed: **Jul. 21, 2016**

FOREIGN PATENT DOCUMENTS

CN	303823313	*	8/2016
WO	D068961-001	*	11/2007
WO	D092011-001	*	8/2016

(30) **Foreign Application Priority Data**

Jan. 25, 2016 (EM) 002958371

(51) **LOC (11) Cl.** **09-01**
(52) **U.S. Cl.**
USPC **D9/528**; D9/563; D9/565; D9/575

* cited by examiner

Primary Examiner — Anhdao Doan

Assistant Examiner — Mary Malley

(74) *Attorney, Agent, or Firm* — Thomas G. Krivulka

(58) **Field of Classification Search**
USPC D9/651, 658, 523–524, 528, 530–535, D9/548, 549–550, 574, 575, 520, 522, D9/526, 527, 553, 555, 556, 557, D9/563–570, 742; 215/381–385; 220/660, 669, 679, 752; D23/211.1
CPC B65D 23/00; B65D 23/10; B65D 1/00; B65D 1/02; B65D 21/00; B65D 21/02; B65D 21/0201; B65D 21/0209; B65D 21/0233; B65D 21/0234; B65D 21/0237; B65D 1/10; B65D 1/40; B65D 1/42; B65D 11/04; B65D 2501/0081; B65D 2101/0053; B65D 1/0223

See application file for complete search history.

(56) **References Cited**

U.S. PATENT DOCUMENTS

D224,733 S *	9/1972	Vanderhyde	D9/531
D323,456 S *	1/1992	Gonda	D9/527

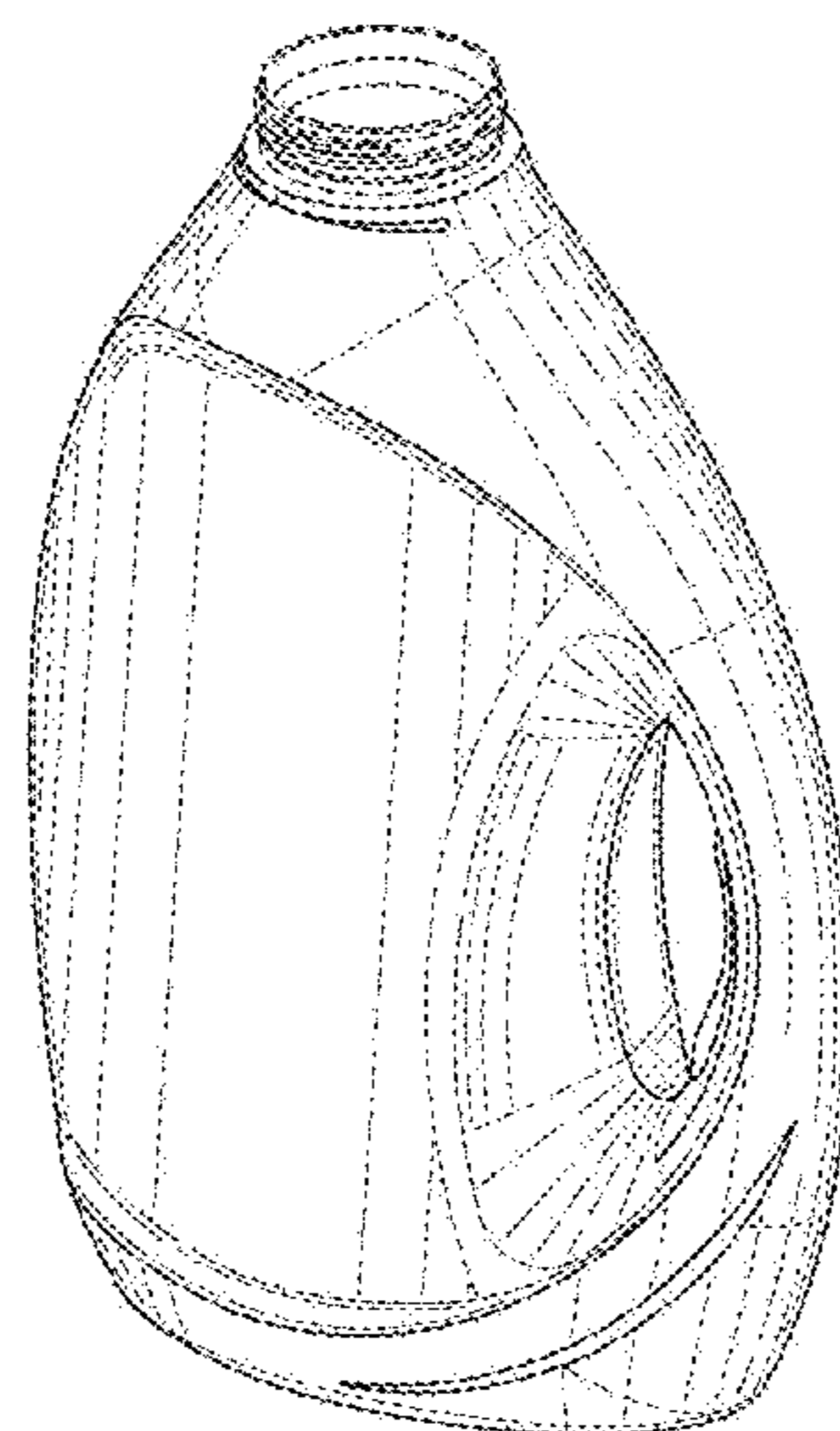
(57) **CLAIM**

The ornamental design for a bottle, as shown and described.

DESCRIPTION

FIG. 1 is a front perspective view of a bottle embodying our new design;
FIG. 2 is a front elevation view thereof;
FIG. 3 is a rear elevation view thereof;
FIG. 4 is a left side elevation view thereof;
FIG. 5 is a right side elevation view thereof;
FIG. 6 is a top plan view thereof; and,
FIG. 7 is a bottom plan view thereof.
The broken lines show portions of the bottle that form no part of the claimed design.

1 Claim, 6 Drawing Sheets



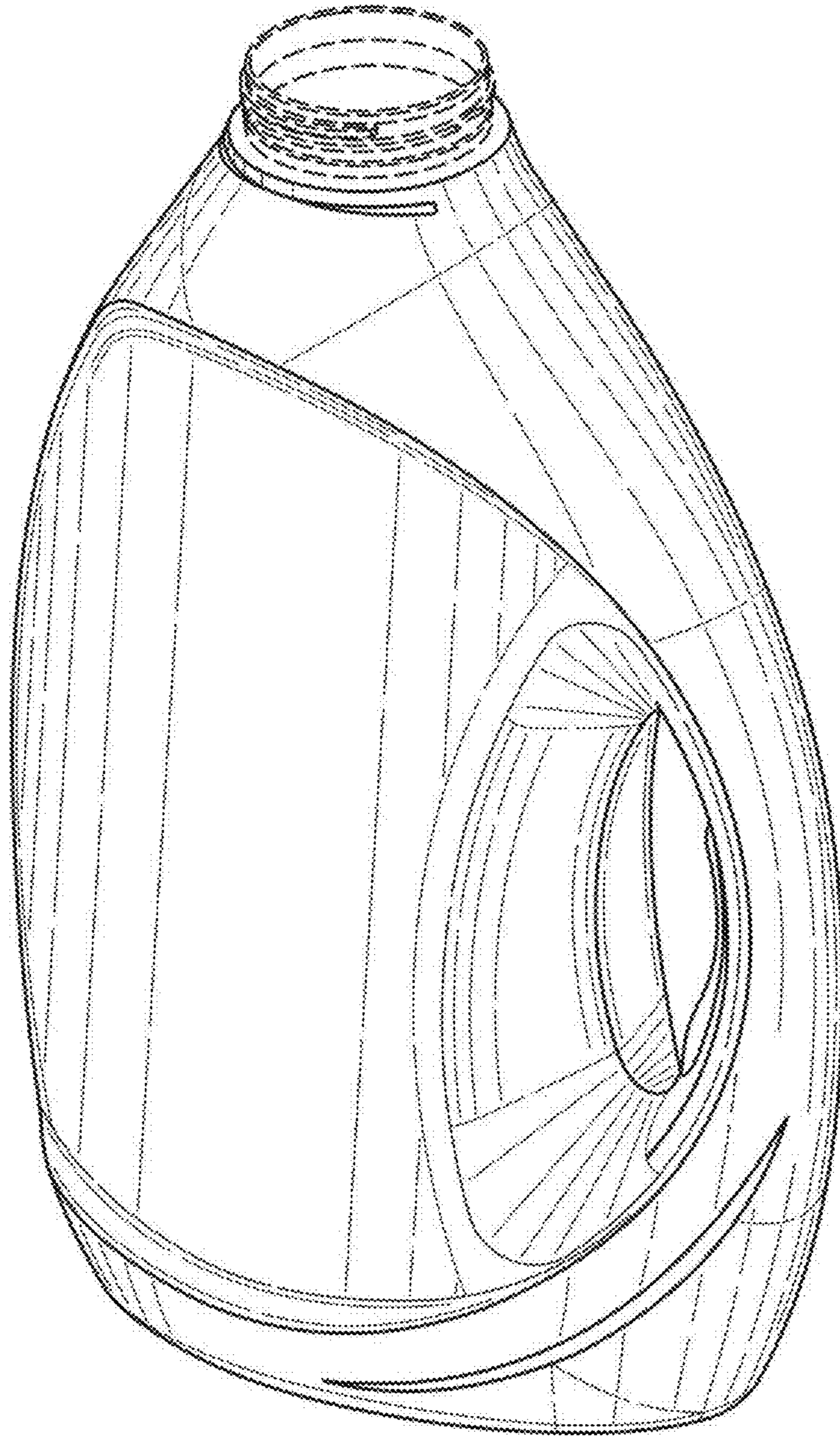


FIG. 1

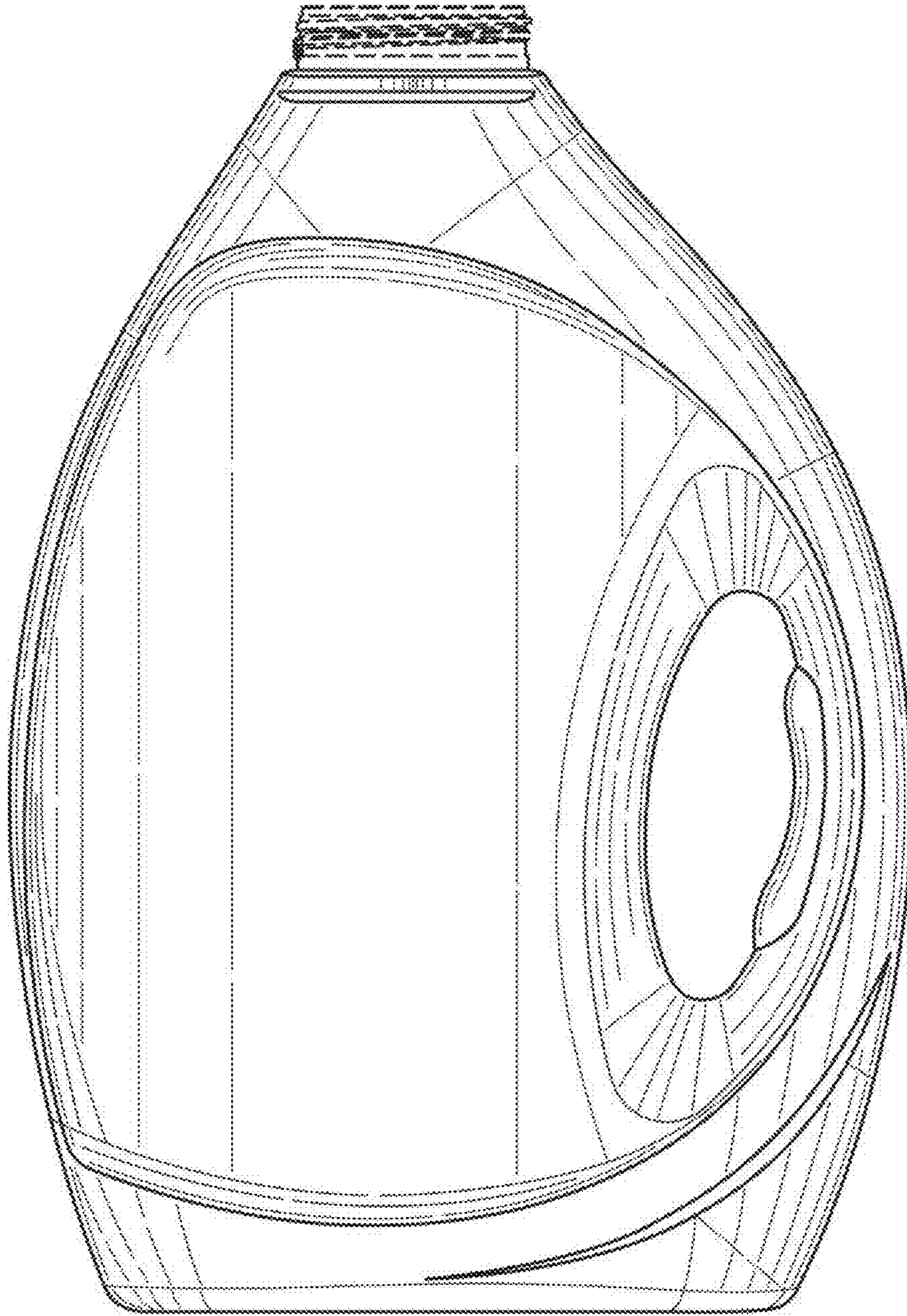


FIG. 2

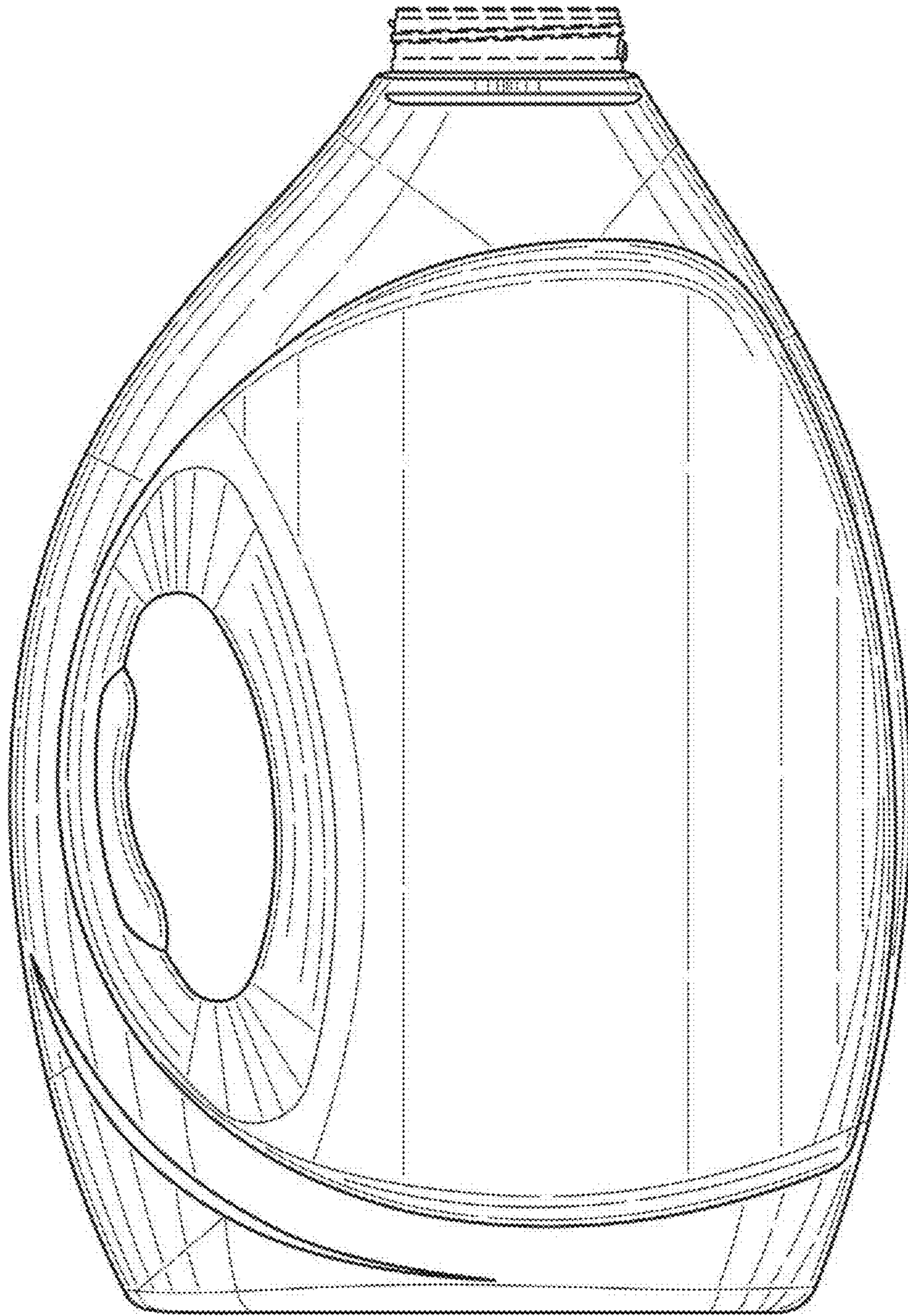


FIG. 3

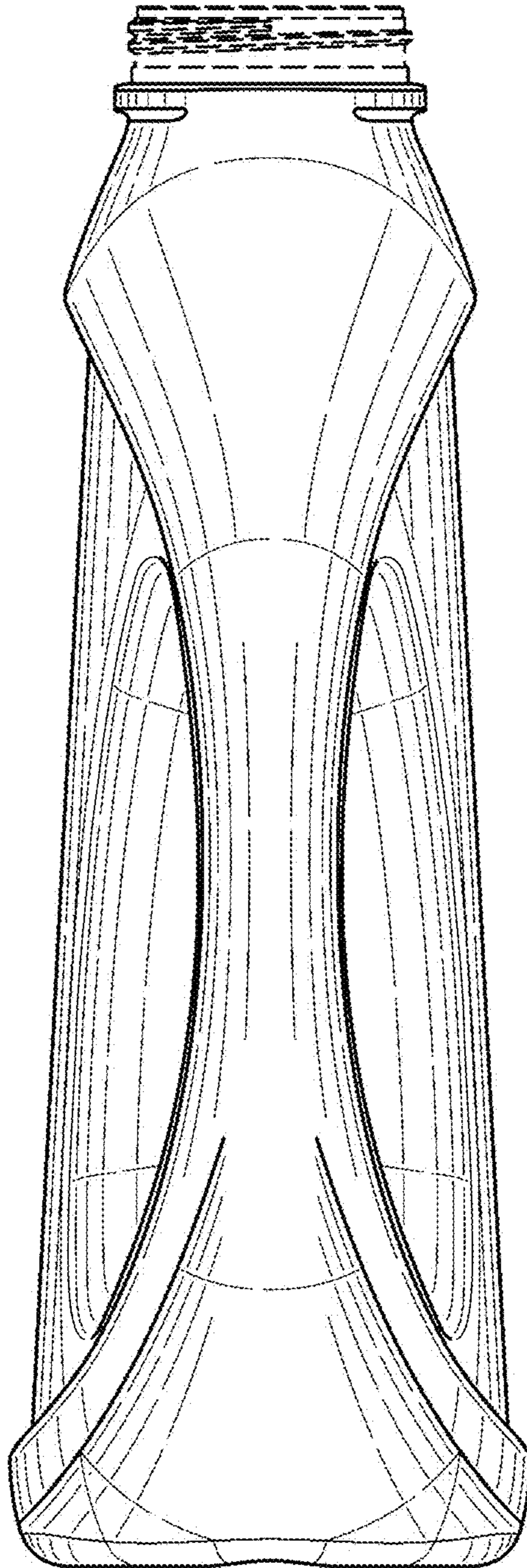


FIG. 4

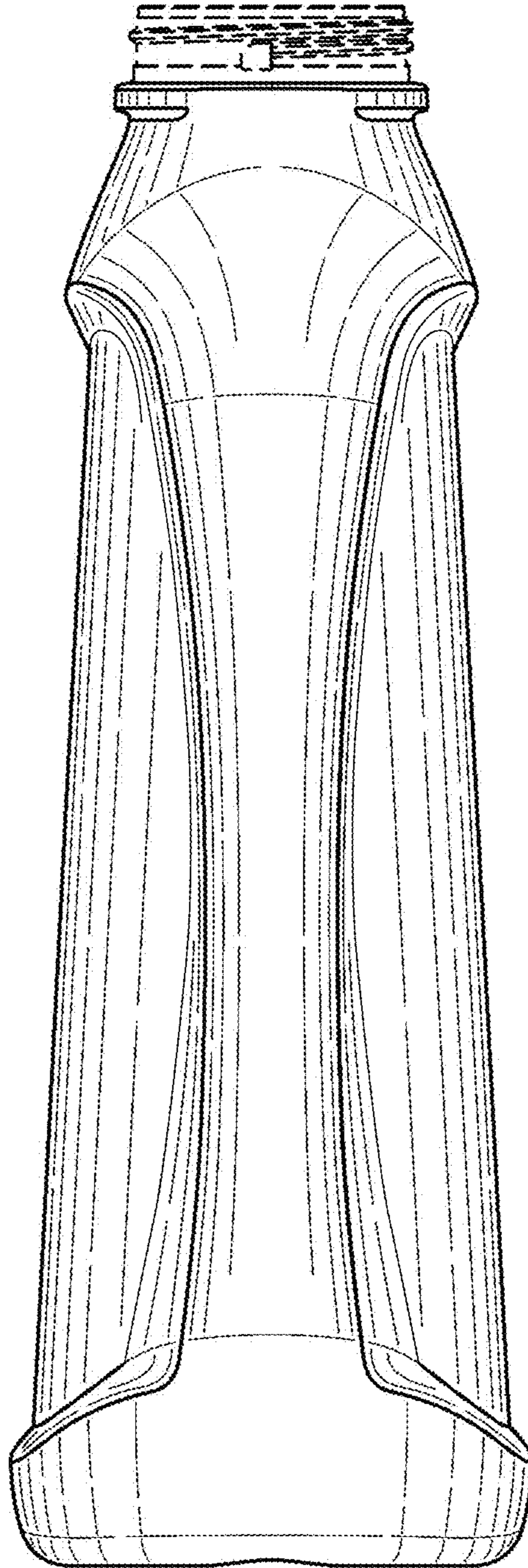


FIG.5

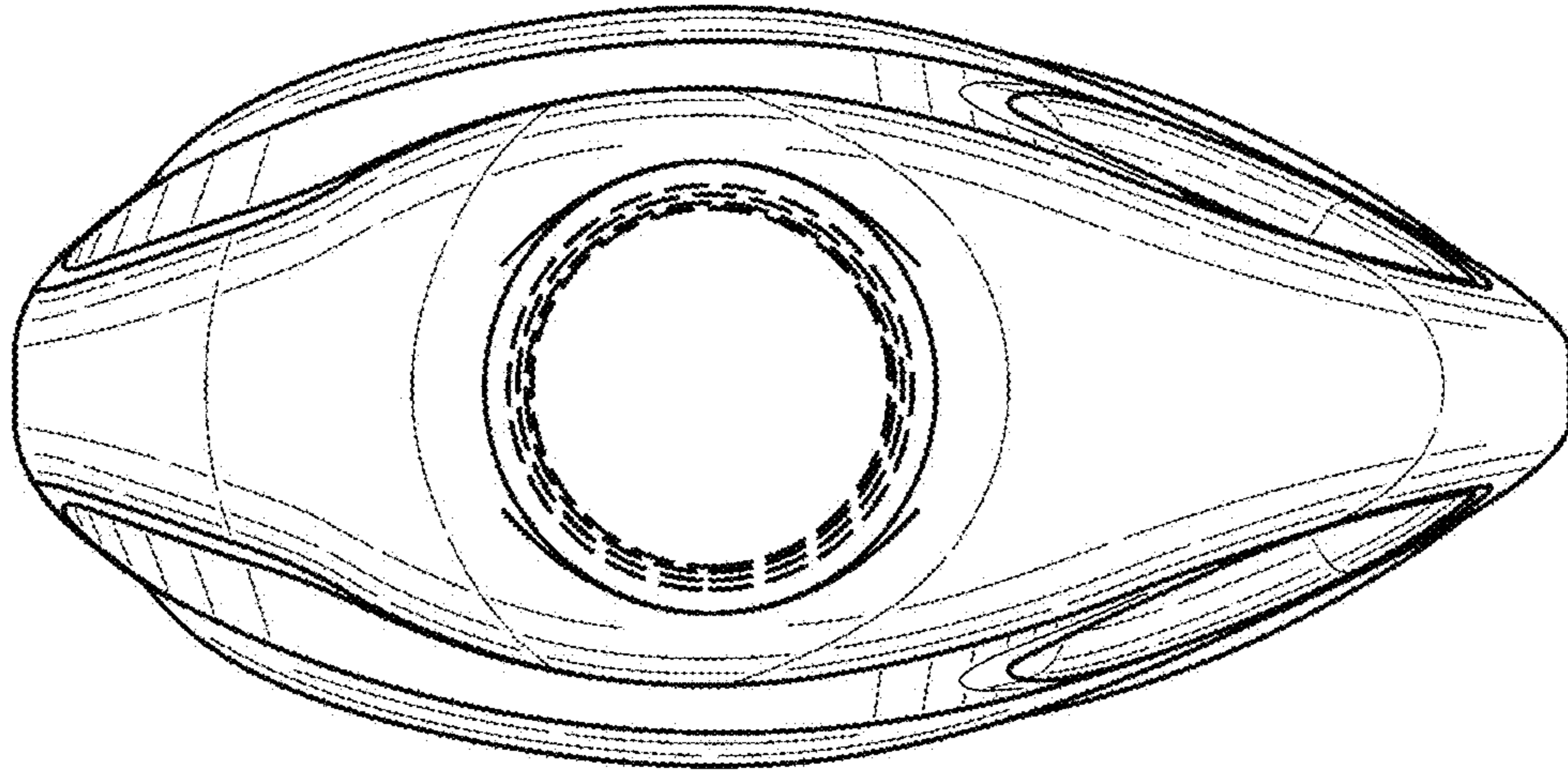


FIG. 6

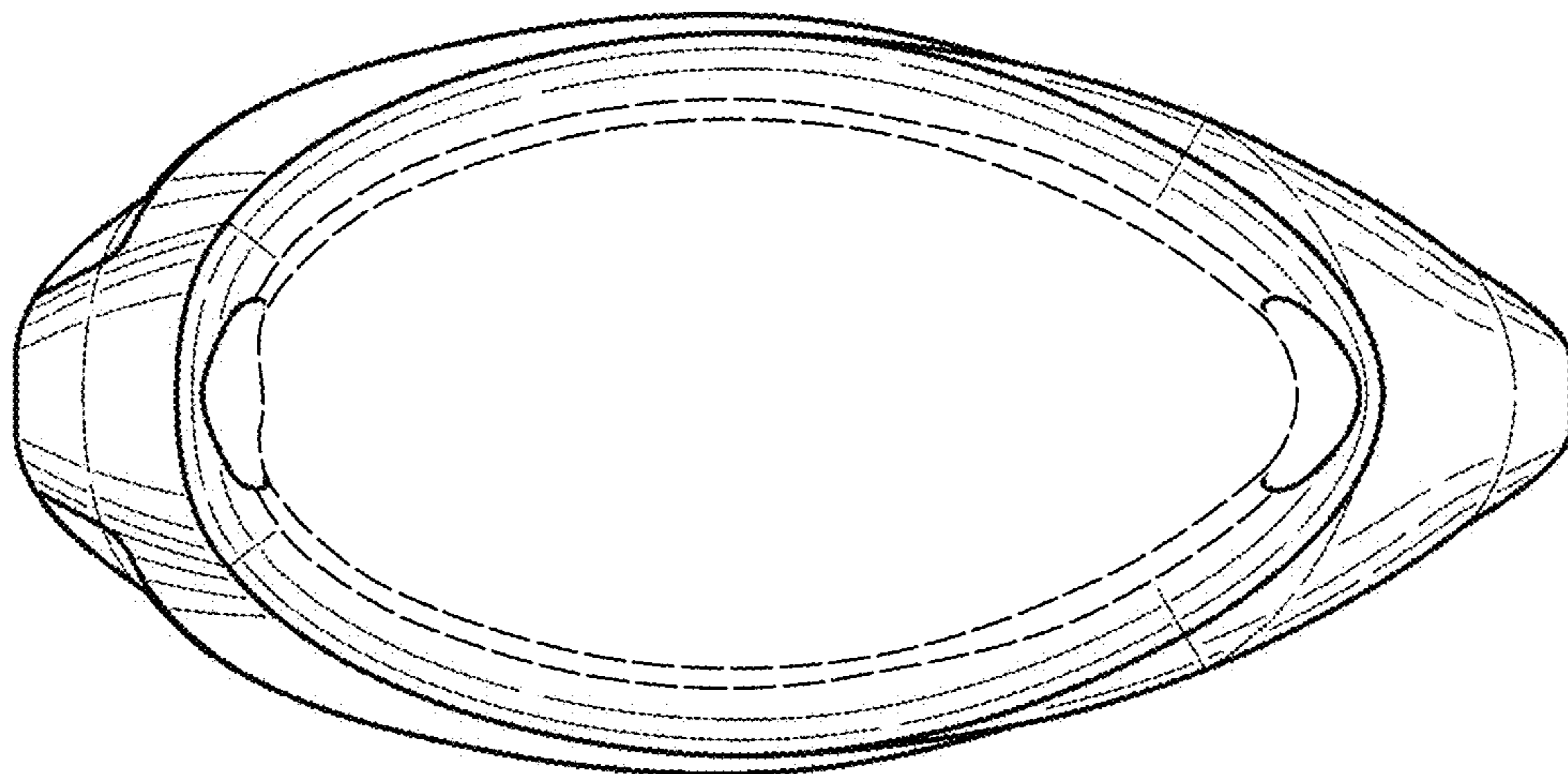


FIG. 7