



US00D818365S

(12) **United States Design Patent** (10) **Patent No.:** **US D818,365 S**  
**Lee** (45) **Date of Patent:** **\*\* May 22, 2018**

(54) **CONTAINER**

(71) Applicant: **Owens-Brockway Glass Container Inc., Perrysburg, OH (US)**

(72) Inventor: **Young Lee, Perrysburg, OH (US)**

(73) Assignee: **Owens-Brockway Glass Container Inc., Perrysburg, OH (US)**

(\*\*) Term: **15 Years**

(21) Appl. No.: **29/583,393**

(22) Filed: **Nov. 4, 2016**

(51) **LOC (11) Cl.** ..... **09-01**

(52) **U.S. Cl.**  
USPC ..... **D9/516; D9/500**

(58) **Field of Classification Search**  
USPC ..... D9/500, 503-505, 516, 520, 544-545,  
D9/547, 549, 558, 682, 686, 688,  
D9/690-691, 715, 719; D7/300, 300.1,  
D7/598

CPC ..... B65D 1/00; B65D 1/02; B65D 1/0223;  
B65D 23/00; B65D 81/00; B65D  
2501/00; B65D 2501/0009

See application file for complete search history.

(56) **References Cited**

**U.S. PATENT DOCUMENTS**

D103,080 S	2/1937	McIntosh	
D192,709 S	5/1962	Heintze	
D339,517 S	9/1993	Jobit	
D356,038 S	3/1995	Biesecker	
D376,762 S	12/1996	Fenton et al.	
D387,283 S	12/1997	Sgariboldi	
D414,427 S	9/1999	Maddy	
D423,370 S	4/2000	Lewin	
D431,779 S	10/2000	Nosella	
D484,419 S	12/2003	Potocki et al.	
D486,072 S	2/2004	Potocki et al.	
D489,984 S *	5/2004	Futral	..... D9/500

D509,433 S	9/2005	Trayser et al.
D526,197 S	8/2006	Lauret
D526,568 S	8/2006	Bakic
D530,207 S	10/2006	Brandt et al.
D536,976 S	2/2007	Ciulla et al.
D548,606 S	8/2007	Rica
D550,080 S	9/2007	Rica
D551,082 S	9/2007	Kakhniadze et al.
D551,552 S	9/2007	Rica
D554,518 S	11/2007	Cornet et al.
D555,501 S	11/2007	Del Bon

(Continued)

*Primary Examiner* — Dana L Meyrow

(57) **CLAIM**

I claim an ornamental design for a container, as shown and described.

**DESCRIPTION**

FIG. 1 is a perspective view of a container in accordance with a first illustrative embodiment of my new claimed design.

FIG. 2 is a side view of the container of FIG. 1.

FIG. 3 is an enlarged scale top view of the container of FIG. 1.

FIG. 4 is an enlarged scale bottom view of the container of FIG. 1.

FIG. 5 is a perspective view of a container in accordance with a second illustrative embodiment of my new claimed design.

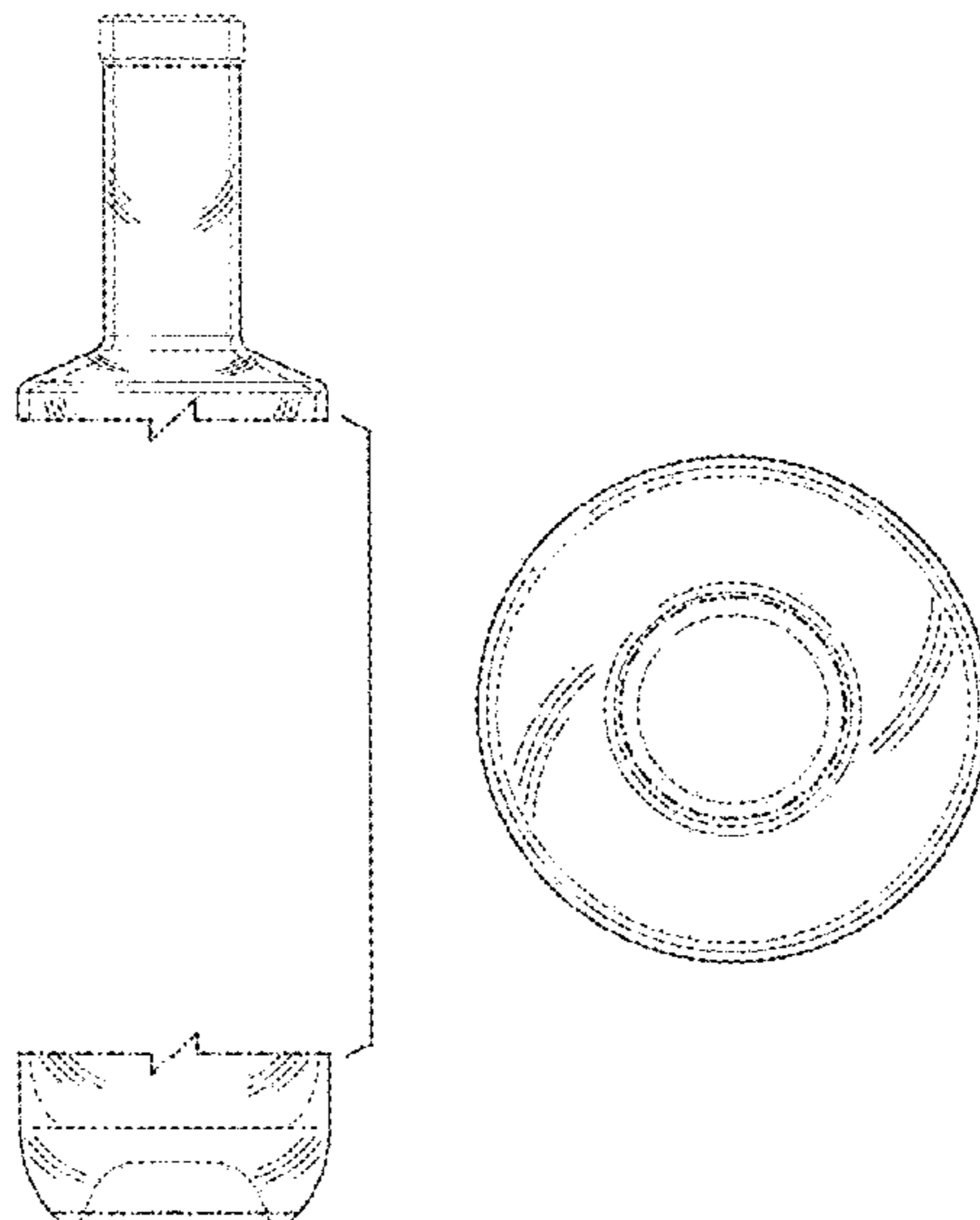
FIG. 6 is a side view of the container of FIG. 5.

FIG. 7 is an enlarged scale top view of the container of FIG. 5; and,

FIG. 8 is an enlarged scale bottom view of the container of FIG. 5.

The evenly-dashed broken lines in the drawings illustrate the portions of the container that form no part of the claim. The dot-dash broken lines in the drawings define the bounds of the claim and form no part thereof.

**1 Claim, 4 Drawing Sheets**



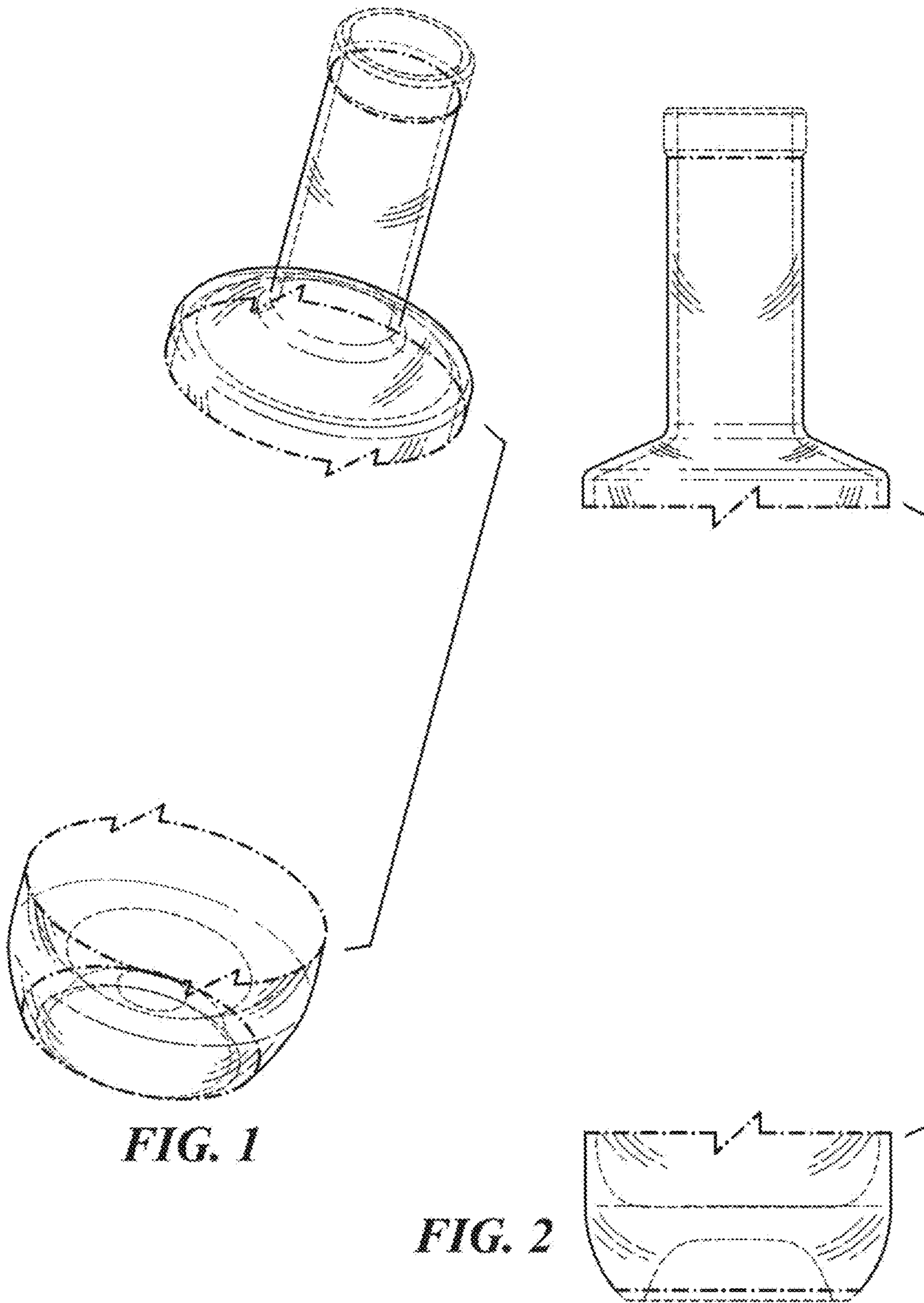
(56)

References Cited

U.S. PATENT DOCUMENTS

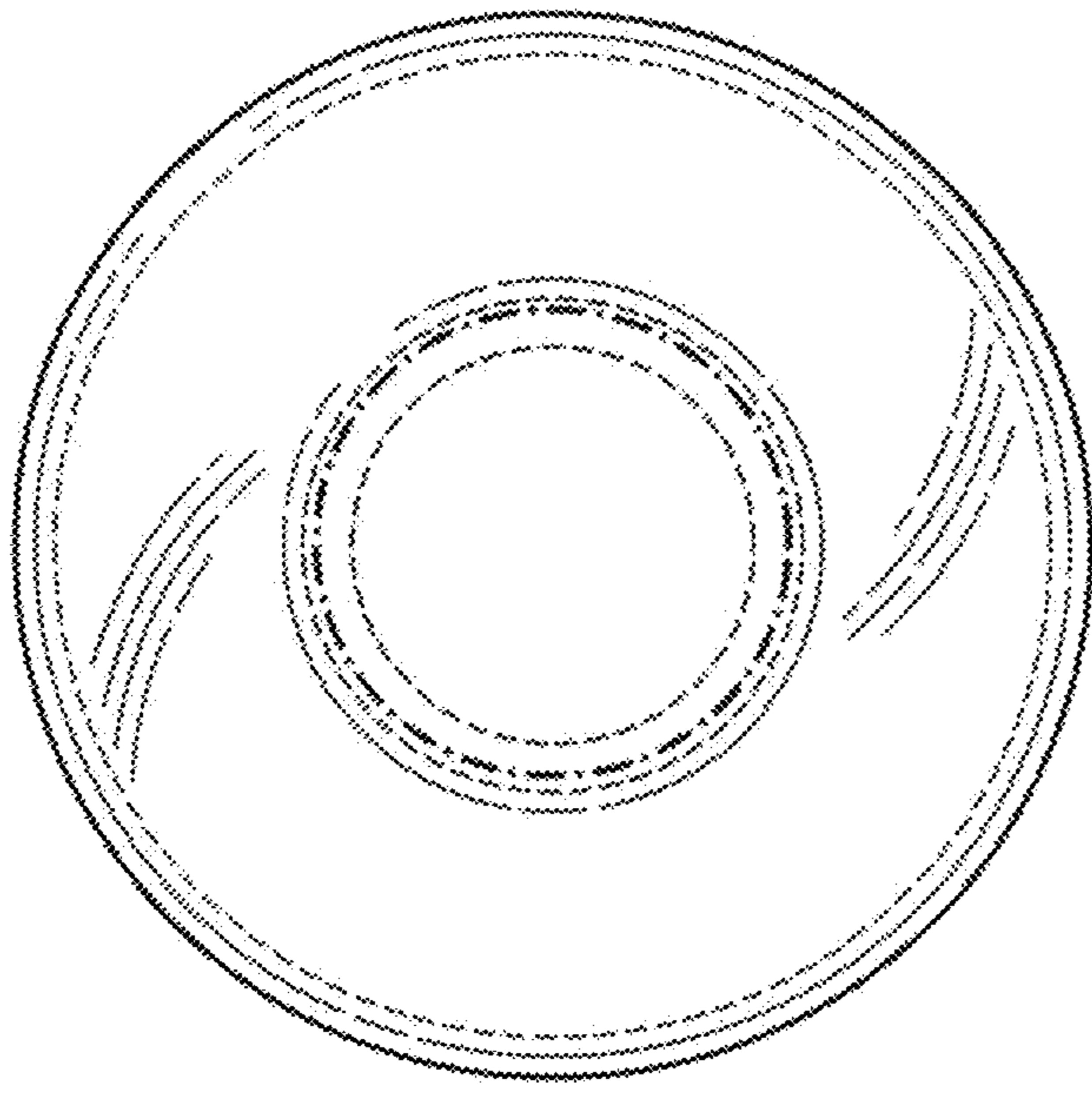
D556,577 S	12/2007	Didier	D655,178 S	3/2012	Gonzalez Rodriguez
D559,696 S	1/2008	Didier	D655,612 S	3/2012	Oge-Nichols
D559,697 S	1/2008	Didier	D656,404 S	3/2012	Thompson
D559,698 S	1/2008	Rica	D659,538 S	5/2012	Lecetre et al.
D561,026 S	2/2008	Rica	D660,154 S	5/2012	Franco
D561,039 S	2/2008	Del Bon	D666,102 S	8/2012	Mandell et al.
D567,100 S	4/2008	Liden et al.	D668,955 S	10/2012	Zuchetta
D567,664 S	4/2008	Rica	D670,176 S	11/2012	Monteparo et al.
D579,785 S	11/2008	Rica	D670,177 S	11/2012	Lario Rivas
D580,771 S	11/2008	Rica	D672,250 S	12/2012	Austin et al.
D580,773 S	11/2008	Rica	D673,859 S	1/2013	Austin et al.
D581,800 S	12/2008	Rica	D673,860 S	1/2013	Santa Cruz
D584,631 S	1/2009	Van Well	D677,569 S	3/2013	Lemaitre
D584,946 S	1/2009	Rica	D679,602 S	4/2013	Gonzalez Rodriguez
D584,953 S	1/2009	Rica	D681,472 S	5/2013	Klebeck
D586,659 S	2/2009	Delbon	D682,111 S	5/2013	Polini et al.
D589,355 S	3/2009	Rica	D682,704 S	5/2013	Reynolds
D589,356 S	3/2009	Rica	D682,705 S	5/2013	Reynolds
D589,813 S	4/2009	Rica	D683,228 S	5/2013	Gonzalez Rodriguez
D590,718 S	4/2009	Rica	D683,627 S	6/2013	Rodriguez
D591,596 S	5/2009	Rica	D687,302 S	8/2013	Reynolds
D591,597 S	5/2009	Rica	D687,307 S	8/2013	Lauret
D592,061 S	5/2009	Rica	D687,308 S	8/2013	Lauret
D595,134 S	6/2009	Rica	D687,311 S	8/2013	Austin et al.
D595,141 S	6/2009	Rica	D688,132 S	8/2013	Reynolds
D596,491 S	7/2009	Rica	D688,133 S	8/2013	Reynolds
D596,943 S	7/2009	Baker	D688,948 S	9/2013	Gonzalez Rodriguez
D601,023 S	9/2009	Rica	D693,227 S	11/2013	Gonzalez Rodriguez
D601,024 S	9/2009	Rica	D698,256 S	1/2014	Thompson
D601,025 S	9/2009	Rica	D698,257 S	1/2014	Gonzalez Rodriguez
D601,033 S	9/2009	Rica	D701,768 S	4/2014	Baker
D601,424 S	10/2009	Rica	D702,129 S	4/2014	Shaw
D601,428 S	10/2009	Rica	D704,060 S	5/2014	Maillet et al.
D602,368 S	10/2009	Rica	D706,137 S	6/2014	Gonzalez Rodriguez
D612,242 S	3/2010	Rica	D709,380 S	7/2014	Letamendi
D612,258 S	3/2010	Rica	D709,771 S	7/2014	Letamendi
D612,739 S	3/2010	Delbon	D713,250 S	9/2014	Perez-Cabrera
D619,895 S *	7/2010	Kisterev ..... D9/504	D713,257 S	9/2014	Del Bon
D619,900 S	7/2010	Rica	D713,730 S	9/2014	Perez-Cabrera
D622,601 S	8/2010	Potts	D714,156 S	9/2014	Lauret
D622,602 S	8/2010	Potts	D714,652 S	10/2014	Shaw et al.
D622,603 S	8/2010	Potts	D716,659 S	11/2014	Thompson
D626,423 S	11/2010	Lauret	D717,658 S	11/2014	Fadelli
D626,842 S	11/2010	Rica	D719,030 S	12/2014	Perez-Cabrera
D628,491 S	12/2010	Themann	D719,455 S	12/2014	Perez-Cabrera
D629,697 S	12/2010	Laurent	D719,457 S	12/2014	Perez-Cabrera
D630,100 S	1/2011	Wanet	D723,372 S	3/2015	Lecetre et al.
D635,032 S *	3/2011	Daniele ..... D9/500	D724,952 S	3/2015	Humm
D635,856 S	4/2011	Lauret	D727,162 S	4/2015	Gaydon
D635,857 S	4/2011	Lauret	D730,191 S	5/2015	Hardy
D636,677 S	4/2011	Diez et al.	D737,146 S	8/2015	Kramer
D637,082 S	5/2011	Delbon	D738,738 S	9/2015	Helfrich
D637,083 S	5/2011	Delbon	D742,751 S	11/2015	Letamendi
D652,301 S	1/2012	Pelkey	D745,409 S	12/2015	Lecetre et al.
D652,720 S	1/2012	Pelkey	D746,694 S	1/2016	Letamendi
D652,721 S	1/2012	Pelkey	D750,496 S	3/2016	Cutler
D655,177 S	3/2012	Gonzalez Rodriguez	D756,795 S	5/2016	Maillet et al.
			D787,938 S *	5/2017	Feletto ..... D9/500

\* cited by examiner

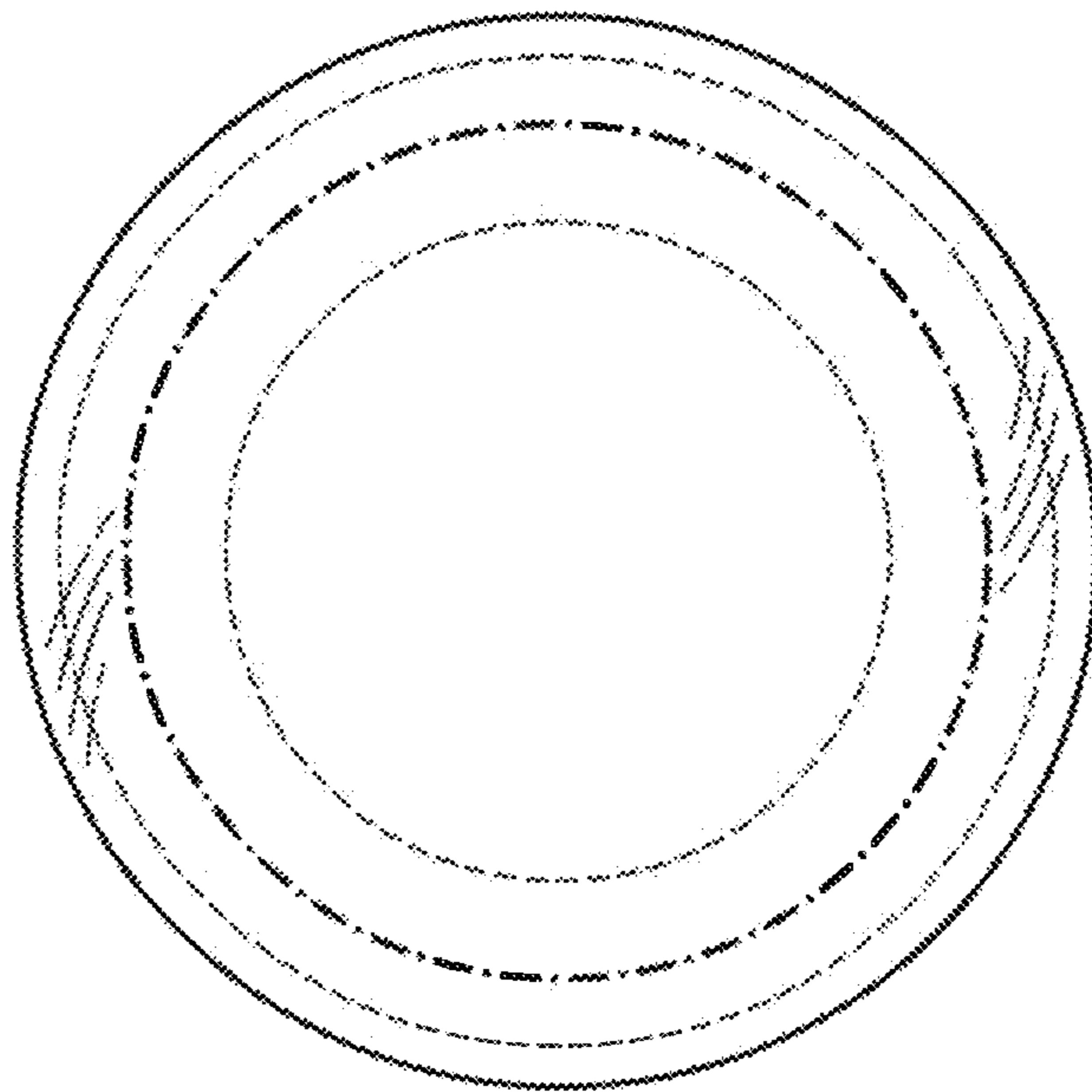


**FIG. 1**

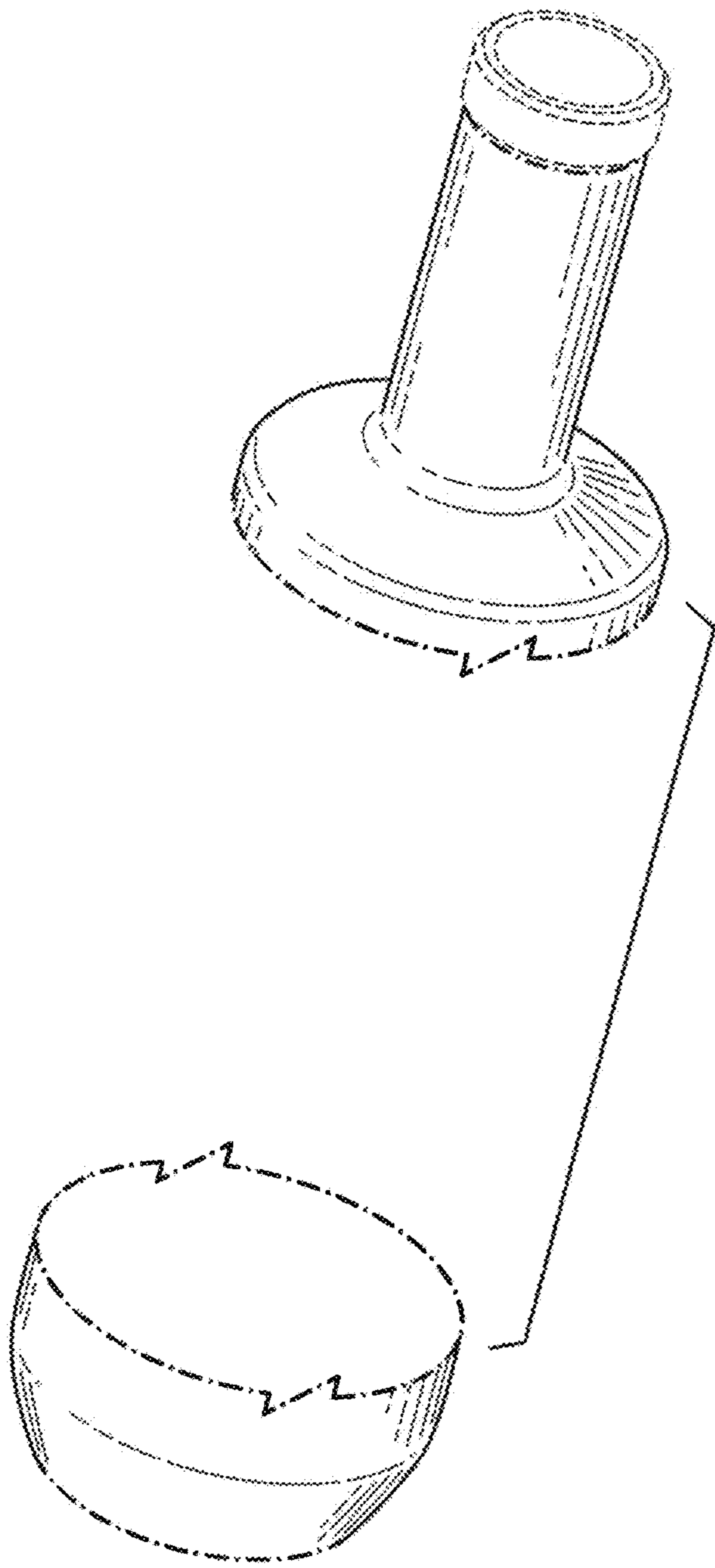
**FIG. 2**



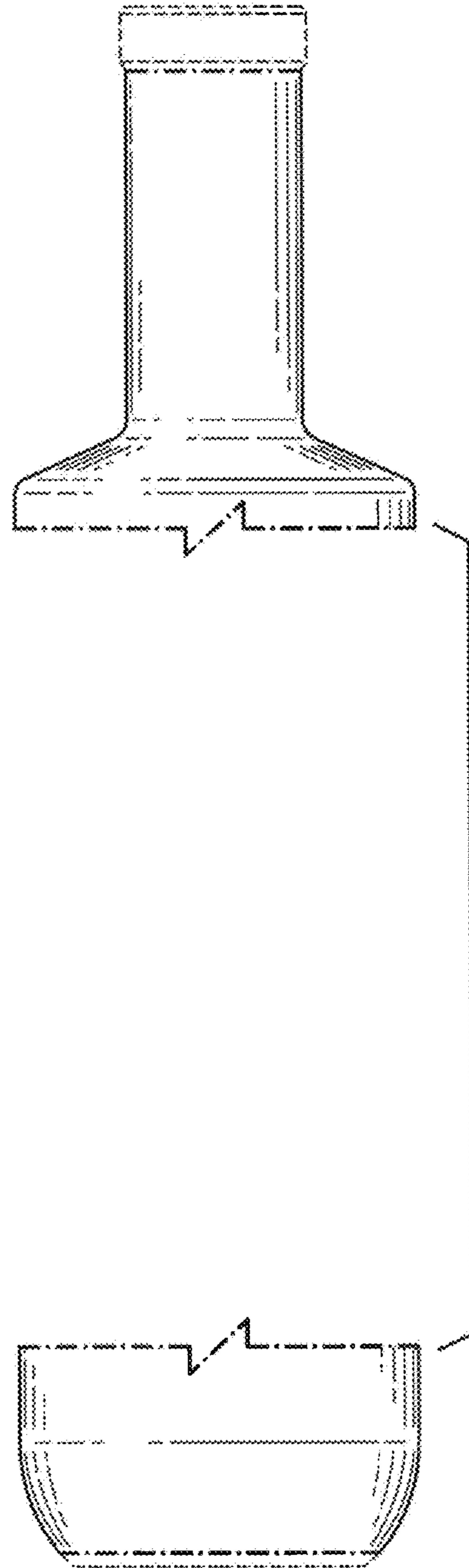
**FIG. 3**



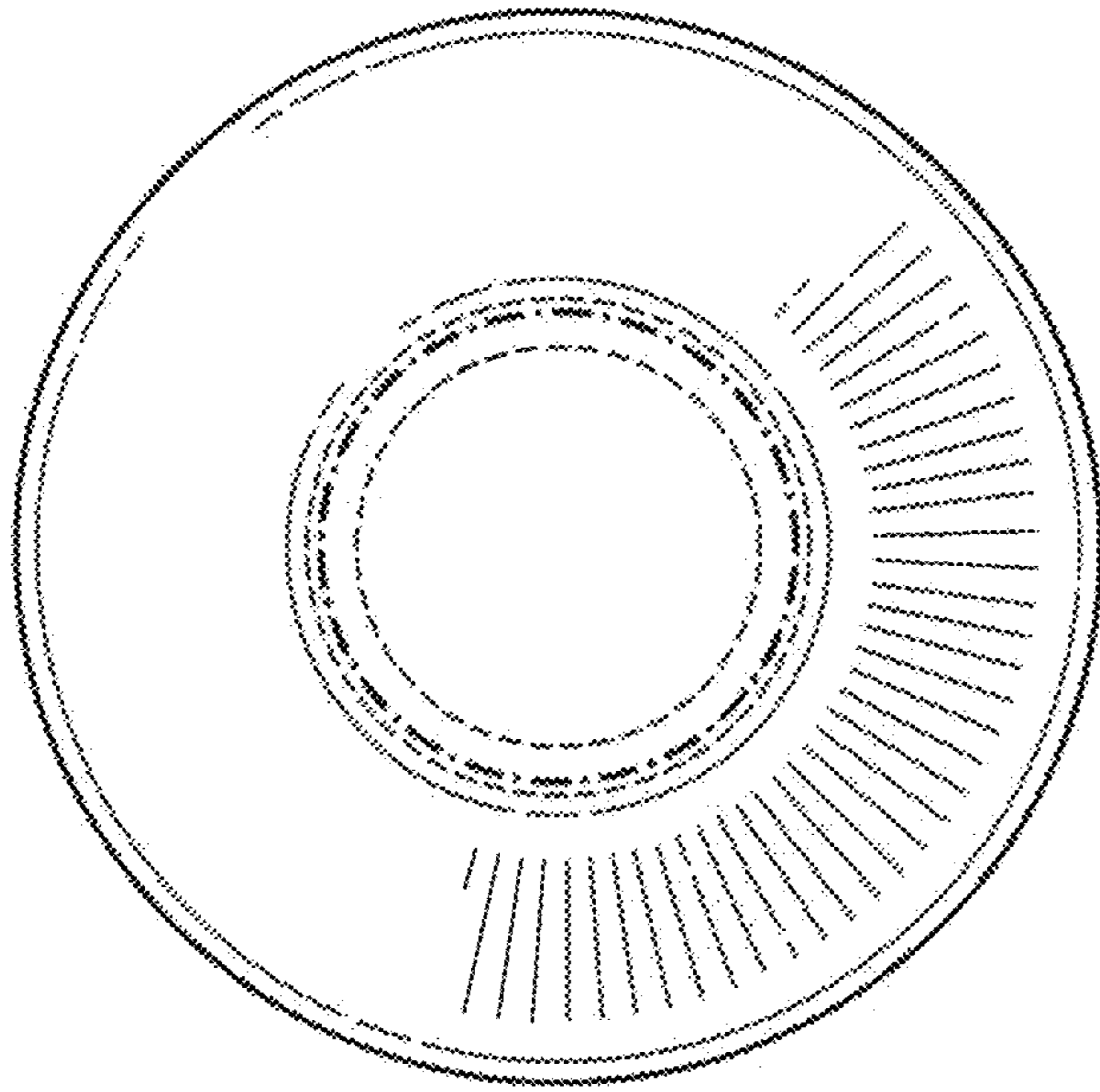
**FIG. 4**



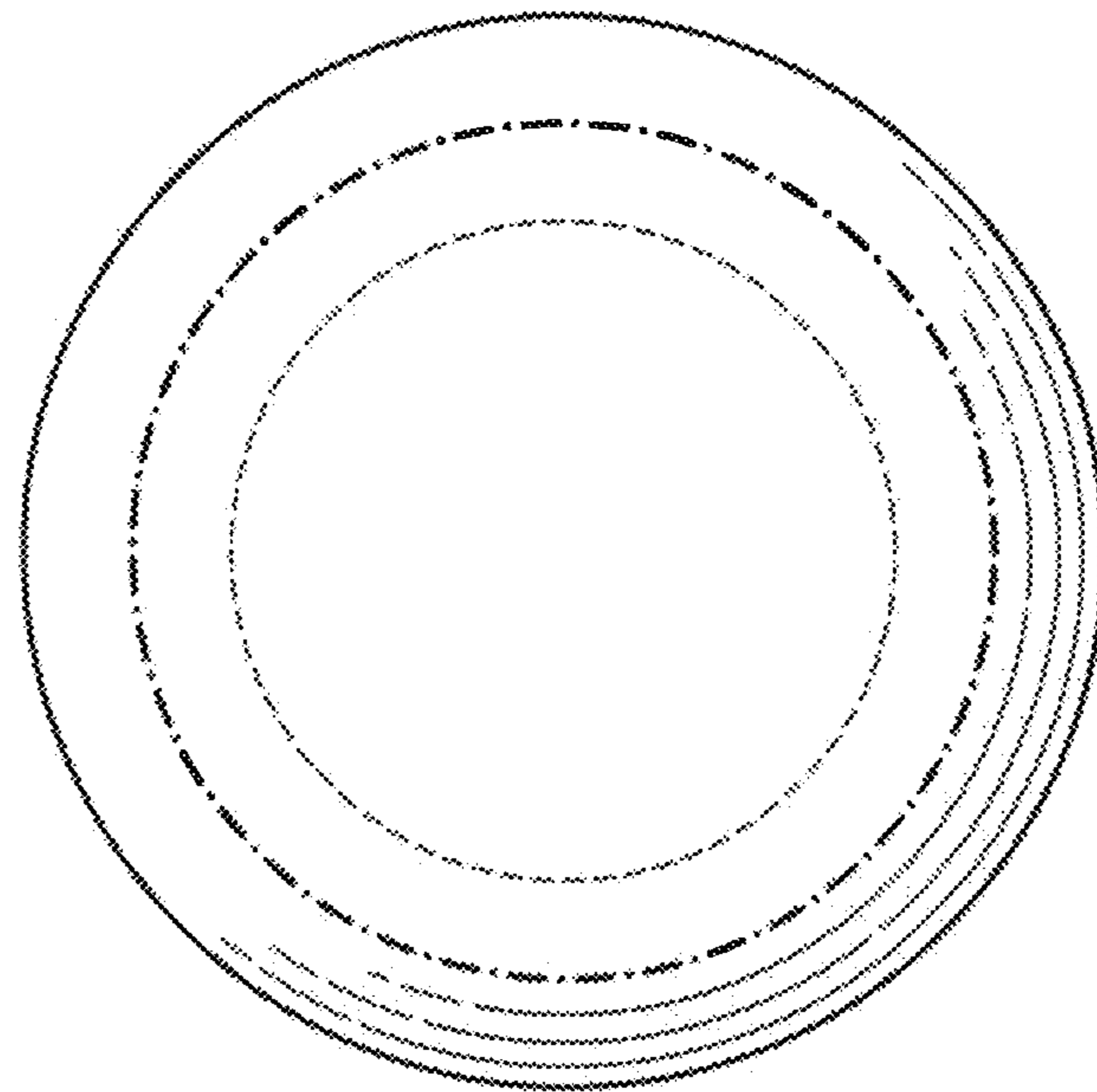
**FIG. 5**



**FIG. 6**



**FIG. 7**



**FIG. 8**