



US00D818363S

(12) **United States Design Patent**  
**Kovacs**

(10) **Patent No.:** **US D818,363 S**  
(45) **Date of Patent:** **\*\* May 22, 2018**

(54) **DISPLAY CARD FOR JEWELRY OR THE LIKE**

(71) Applicant: **INTERNATIONAL BULLION & METAL BROKERS, INC.**, Sunrise, FL (US)

(72) Inventor: **Gavin Kovacs**, Boca Raton, FL (US)

(73) Assignee: **INTERNATIONAL BULLION & METAL BROKERS, INC.**, Sunrise, FL (US)

(\*\*) Term: **15 Years**

(21) Appl. No.: **29/553,777**

(22) Filed: **Feb. 4, 2016**

(51) **LOC (11) Cl.** ..... **09-05**

(52) **U.S. Cl.**  
USPC ..... **D9/457**

(58) **Field of Classification Search**

USPC ..... D9/414, 415, 418, 419, 421–425, 429, D9/430–435, 455, 456, 457, 499, 751, D9/756, 758, 759, 762; D19/1, 27, 28; D20/22, 27, 40, 42; D3/203.1–203.4, D3/211, 207, 904; D7/213, 359, 387, D7/614, 615; D25/119, 123, 124; D8/300, 349, 354, 367, 373; D6/513, D6/552

CPC . B65D 71/00; B65D 5/20; B65D 5/36; B65D 5/503; B65D 5/001; B65D 5/0015; B65D 5/0254; B65D 5/0045; B65D 5/18; B65D 5/2033; B65D 5/28; B65D 5/40; B65D 1/225; B65D 1/24; B65D 1/34; B65D 1/38; A45C 11/04; A45F 7/02; A47F 7/02

See application file for complete search history.

(56) **References Cited**

**U.S. PATENT DOCUMENTS**

D239,919 S \* 5/1976 Wilson ..... D9/434  
D242,626 S \* 12/1976 Scrivener ..... D25/123  
D242,627 S \* 12/1976 Scrivener ..... D25/123

(Continued)

**OTHER PUBLICATIONS**

Leather Earring Display: Site Visited Aug. 30, 2017 [online]. Available from Internet URL: <https://www.jewelrypackaging.com/beige-leatherette-3-pc-set-of-earring-display-stands.html>.\*

(Continued)

*Primary Examiner* — Jennifer Rivard

*Assistant Examiner* — Catherine S Posthauer

(74) *Attorney, Agent, or Firm* — Epstein Drangel LLP; Robert L. Epstein

(57) **CLAIM**

The ornamental design for a display card for jewelry or the like, substantially as shown and described.

**DESCRIPTION**

FIG. 1 is a perspective view showing the front, top, and right side of my new design, in a condition of use with environmental subject matter of jewelry;

FIG. 2 is a perspective view showing the back, bottom and left side of my design, with the environmental subject matter removed for clarity of details;

FIG. 3 is an elevation view showing the front of my design;

FIG. 4 is an elevation view showing the back of my design;

FIG. 5 is an elevation view showing the left side of my design;

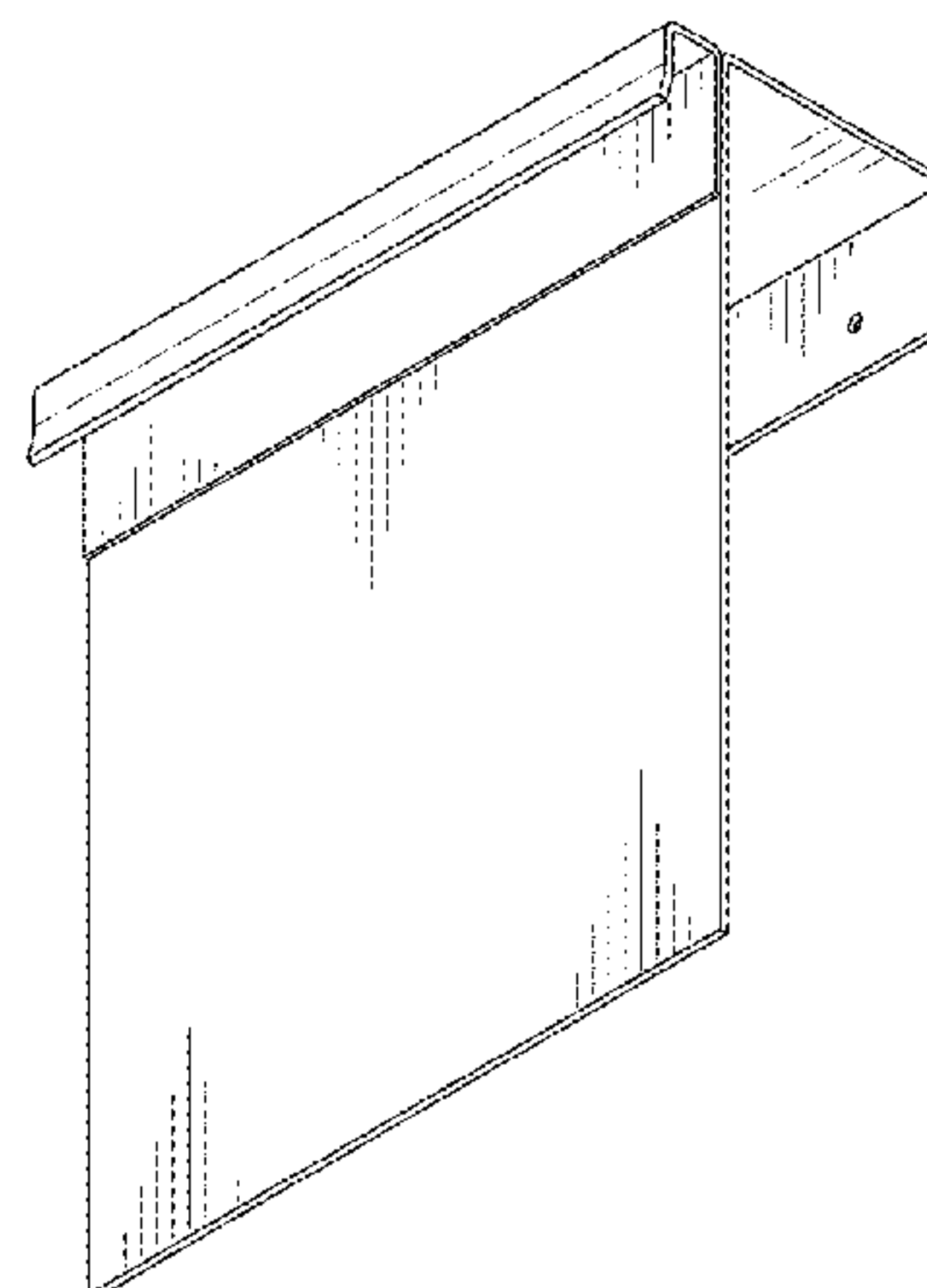
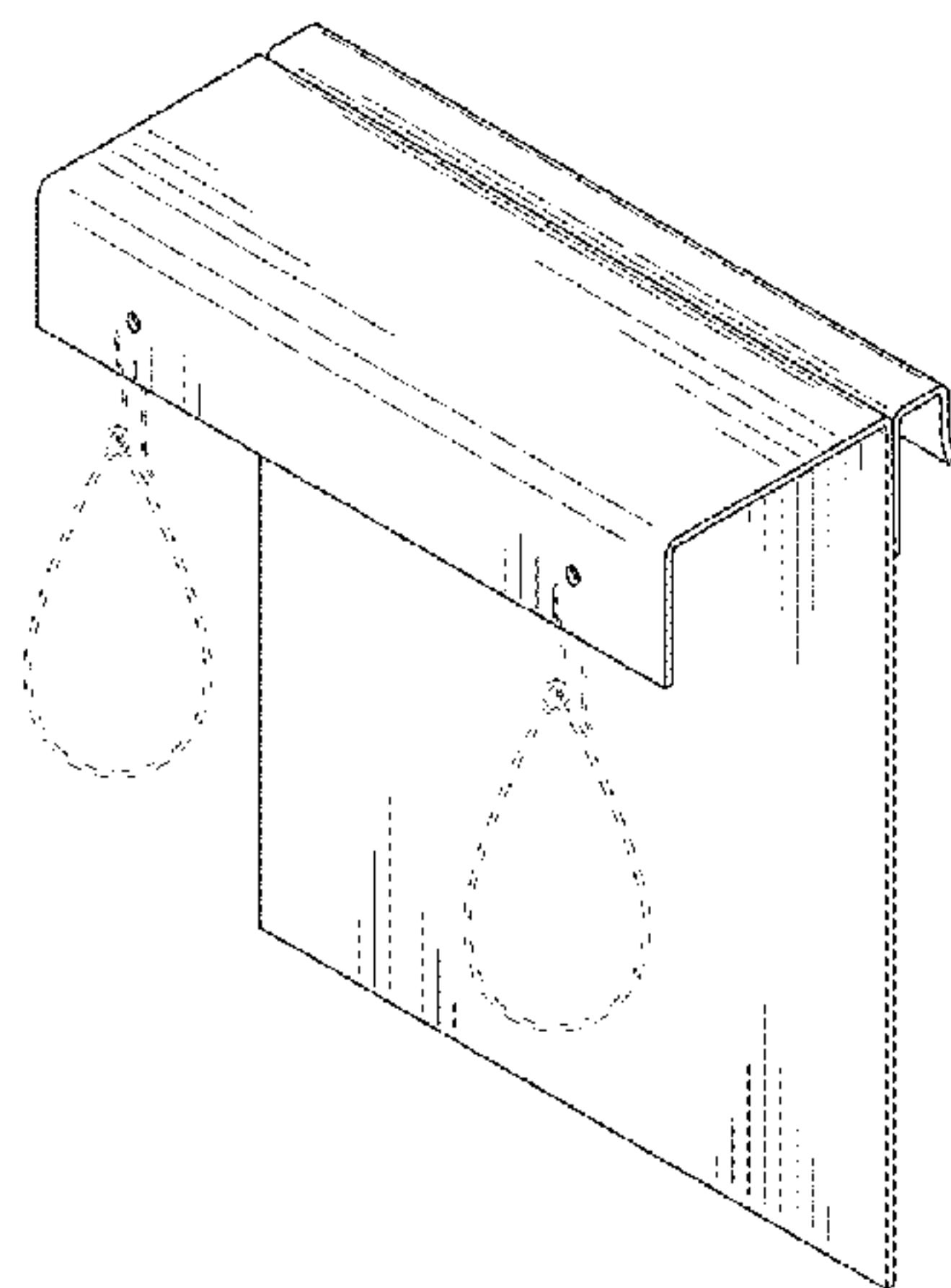
FIG. 6 is an elevation view showing the right side of my design;

FIG. 7 is a plan view showing the top of my design; and,

FIG. 8 is a plan view showing the bottom of my design.

The broken lines are shown for the purpose of illustrating environmental subject matter that forms no part of the claim.

**1 Claim, 3 Drawing Sheets**



(56)

**References Cited**

## U.S. PATENT DOCUMENTS

D242,628 S \* 12/1976 Scrivener ..... D25/123  
D250,996 S \* 2/1979 Glaser ..... D9/457  
4,281,469 A \* 8/1981 Feibelman ..... A47F 7/02  
206/566  
D264,820 S \* 6/1982 Feibelman ..... D9/457  
D270,712 S \* 9/1983 Triangolo ..... D9/457  
4,944,389 A \* 7/1990 Robertson ..... A47F 7/02  
206/477  
4,979,711 A \* 12/1990 McIlroy ..... A47F 5/0006  
206/6.1  
D331,702 S \* 12/1992 Feibelman ..... D9/457  
D349,231 S \* 8/1994 Cislo ..... D8/349  
5,377,820 A \* 1/1995 Christman ..... A47F 5/0807  
206/495  
D366,207 S \* 1/1996 Thompson ..... D20/43  
D373,068 S \* 8/1996 Airey ..... D8/349  
D556,014 S \* 11/2007 Wurdack ..... D8/349  
D681,983 S \* 5/2013 Cramer ..... D6/513  
D699,107 S \* 2/2014 Streich ..... D9/457  
D727,651 S \* 4/2015 San Martin ..... D6/513  
D784,044 S \* 4/2017 Sokoly ..... D6/552  
D791,580 S \* 7/2017 Chou ..... D8/354  
D791,592 S \* 7/2017 Behney ..... D9/457  
2017/0150831 A1 \* 6/2017 Kovacs ..... A47F 7/02

## OTHER PUBLICATIONS

White Faux Leather T-Stand Earring Display: Announced Jul. 30, 2012 [online], site visited [Aug. 30, 2017]. Available from Internet URL: <https://www.riogrande.com/Product/404782>.\*

\* cited by examiner

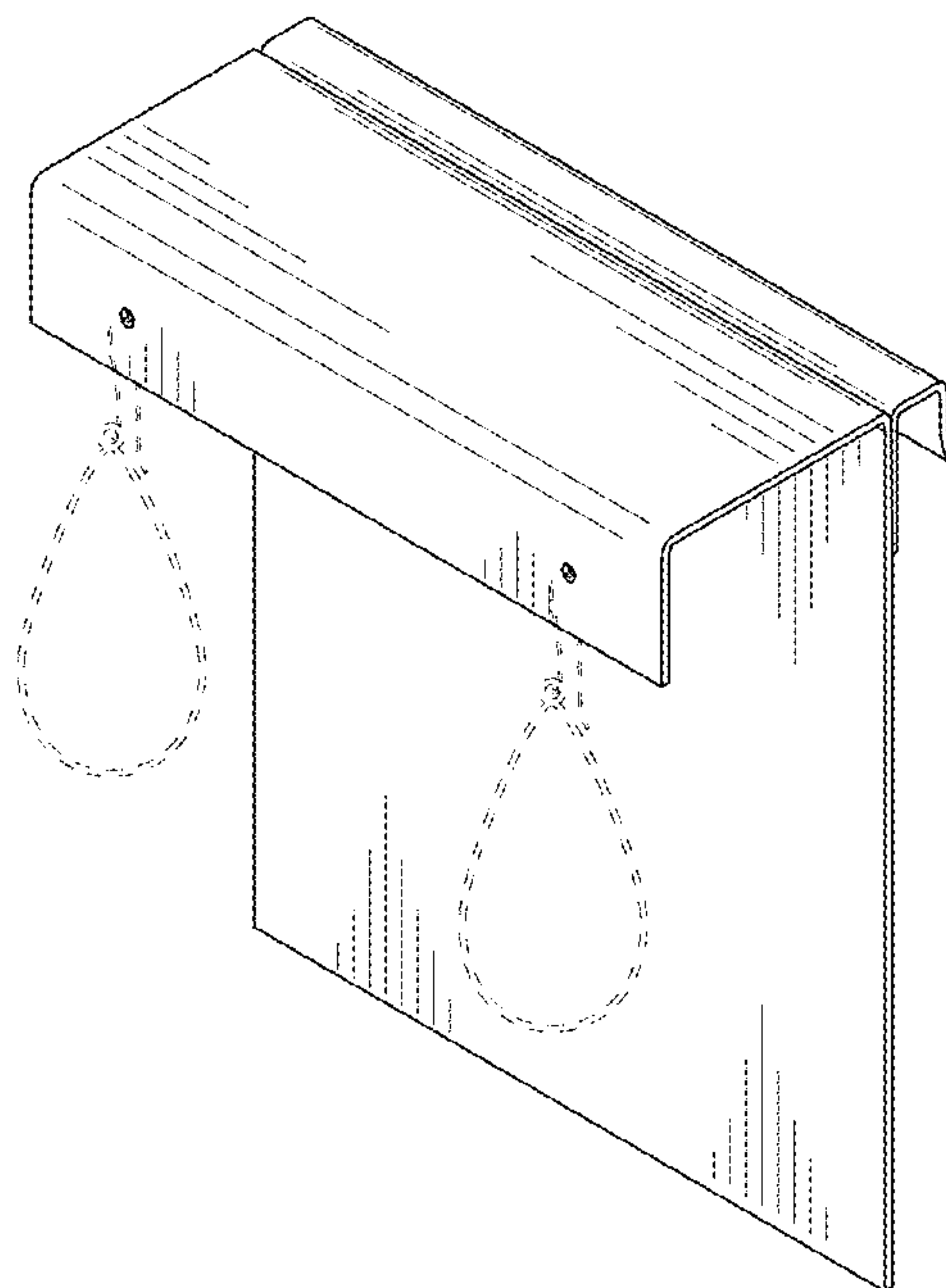


FIG. 1

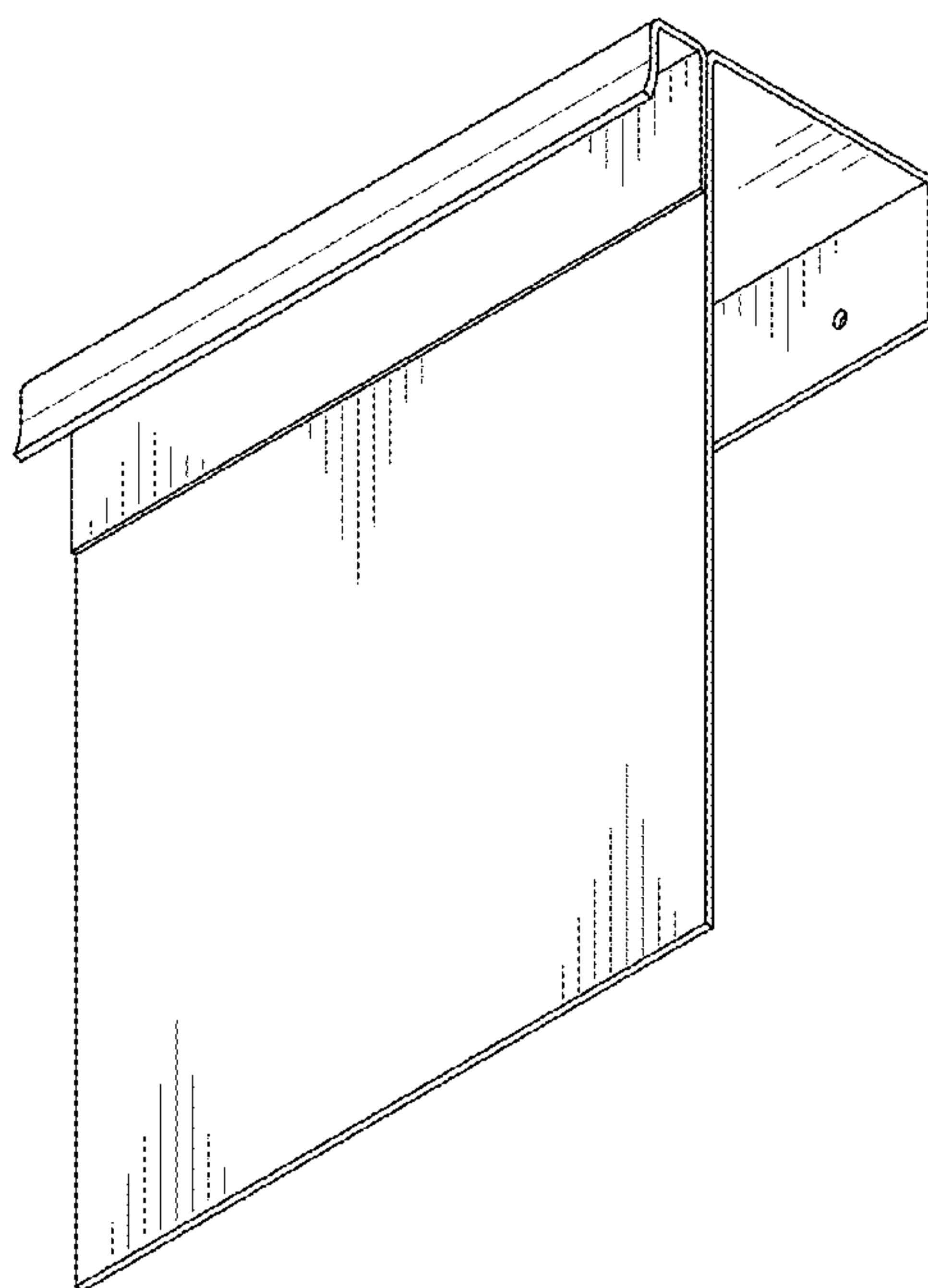


FIG. 2

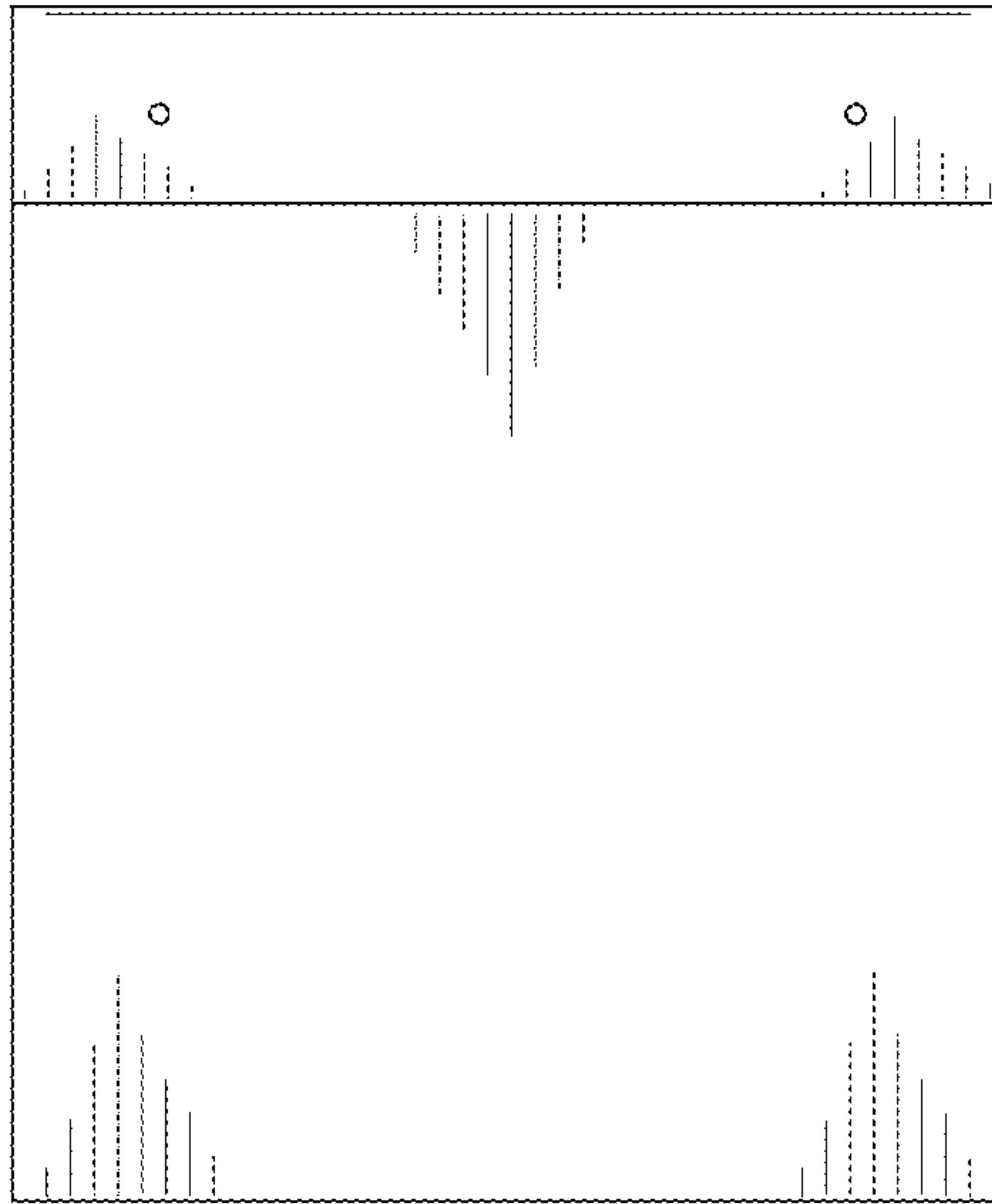


FIG. 3

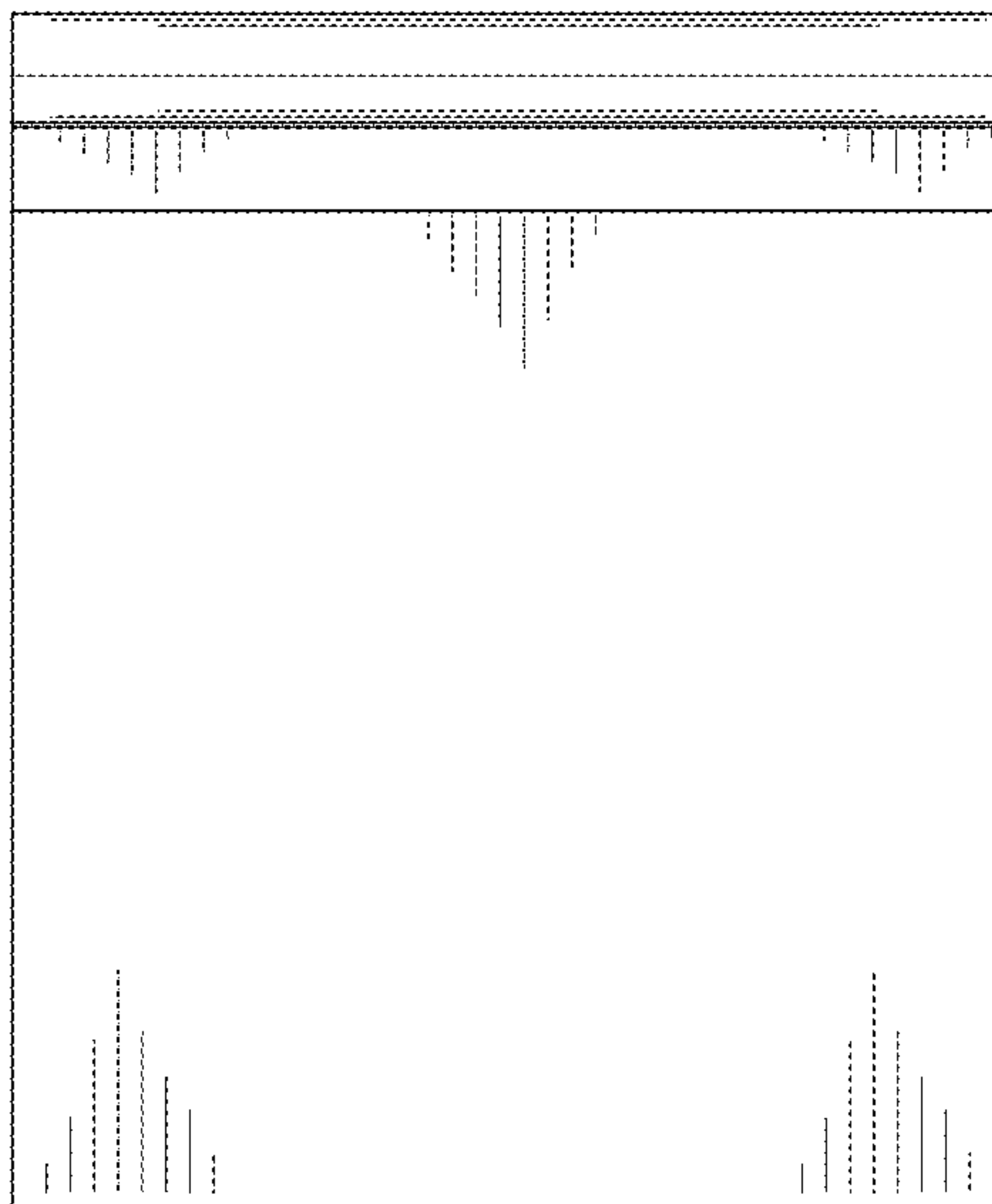


FIG. 4

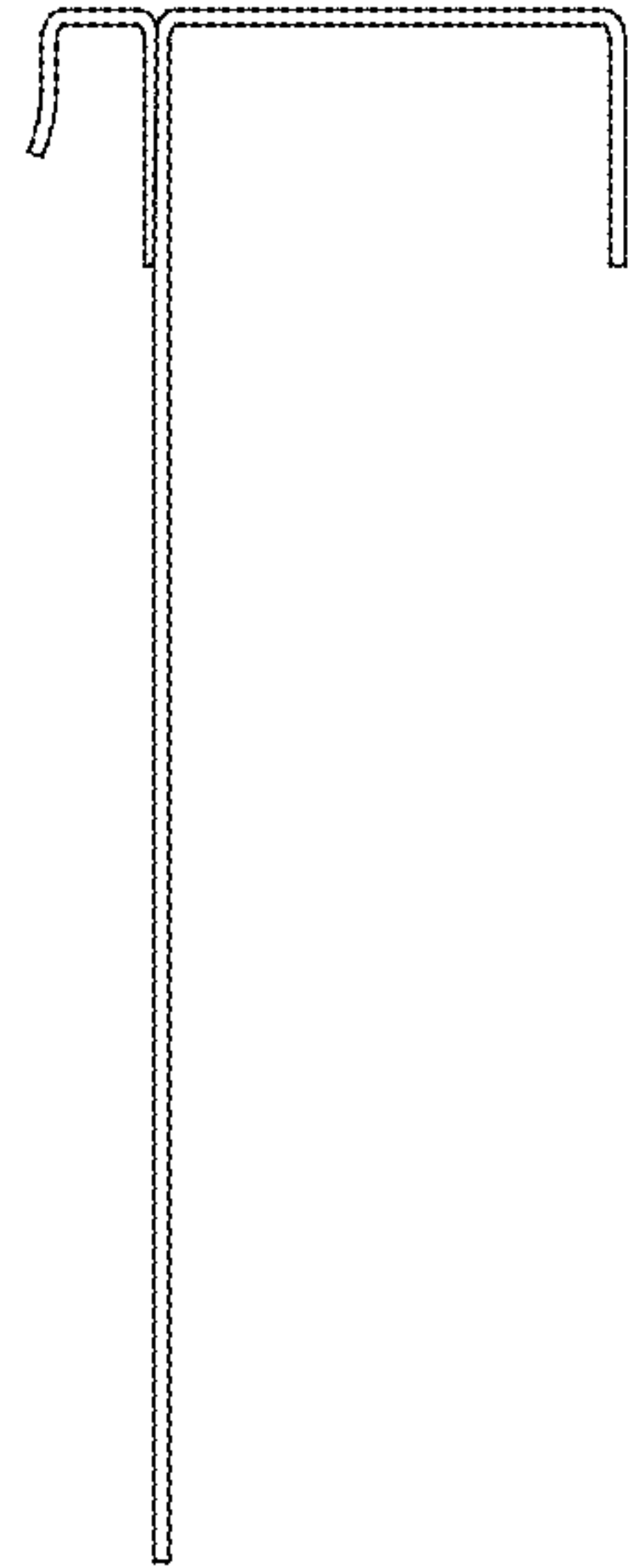


FIG. 5

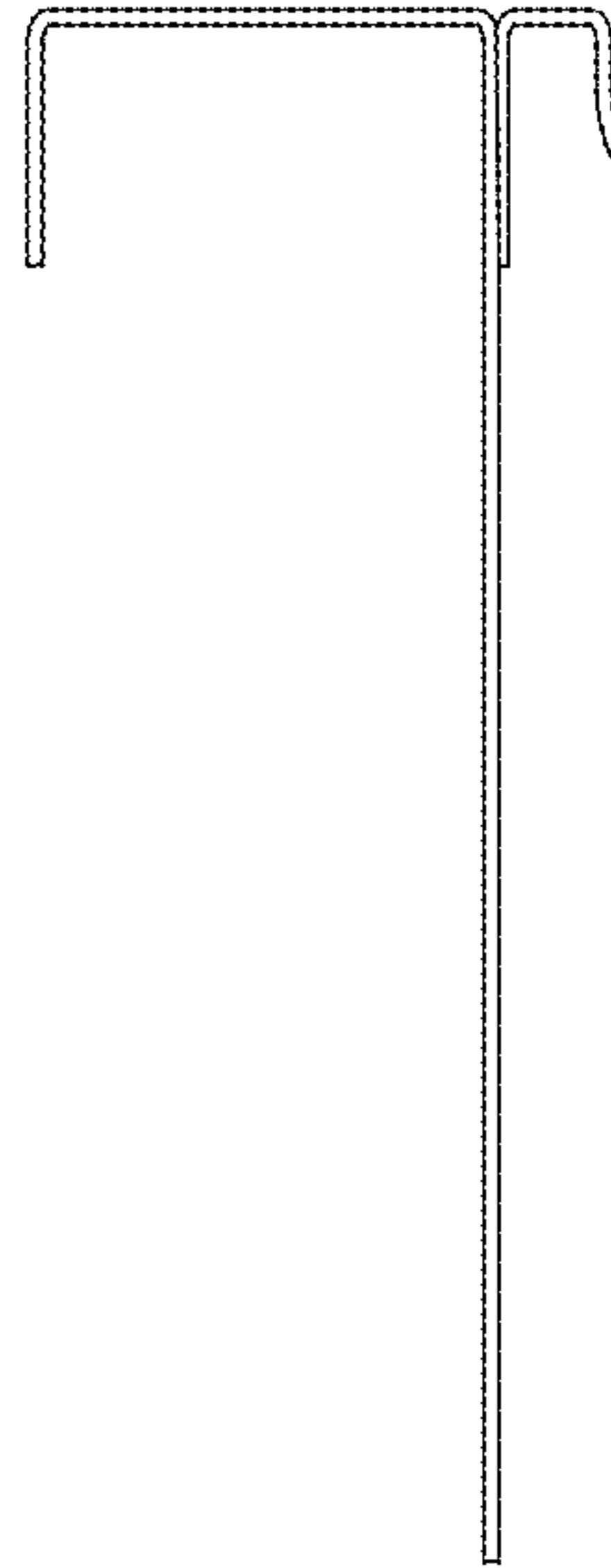


FIG. 6

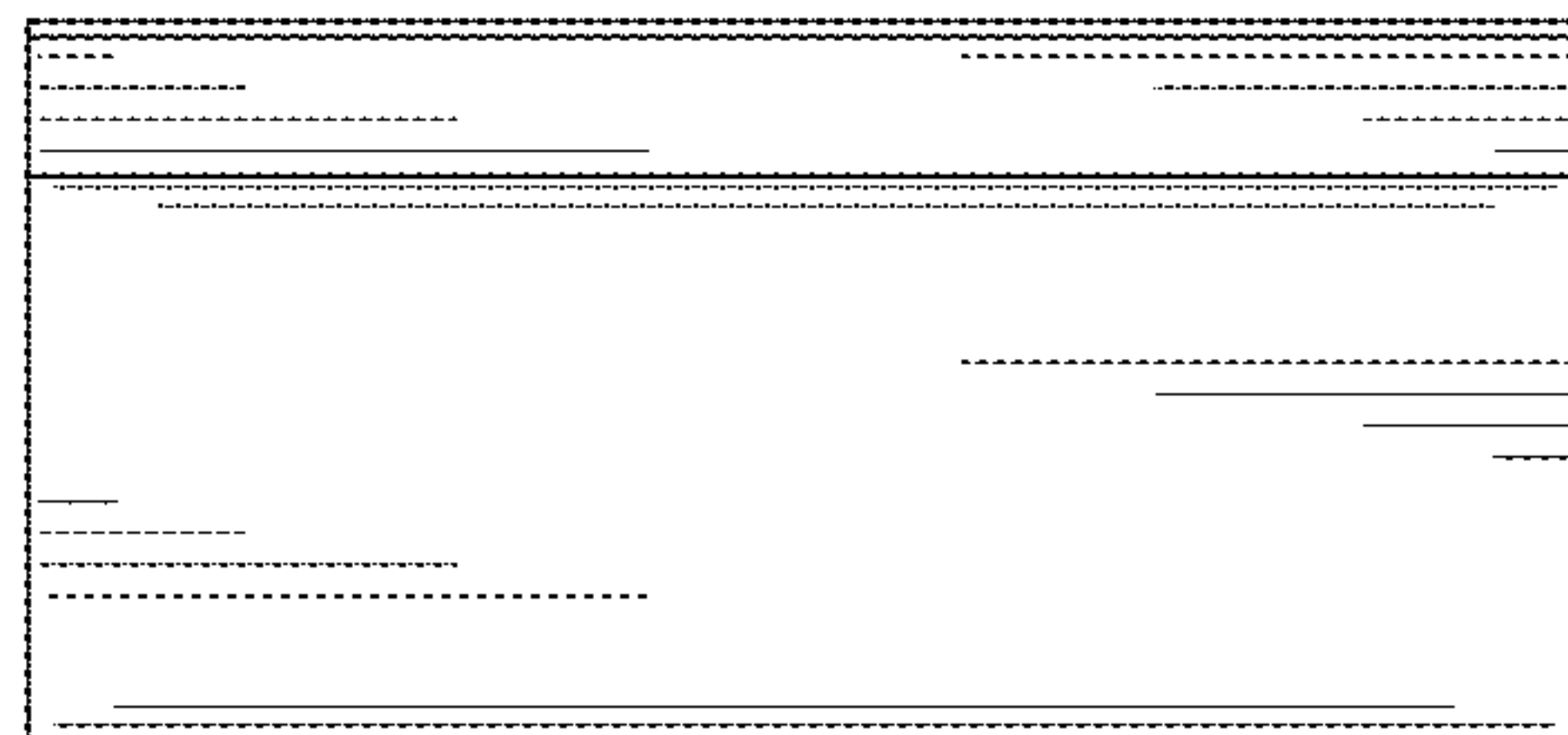


FIG. 7

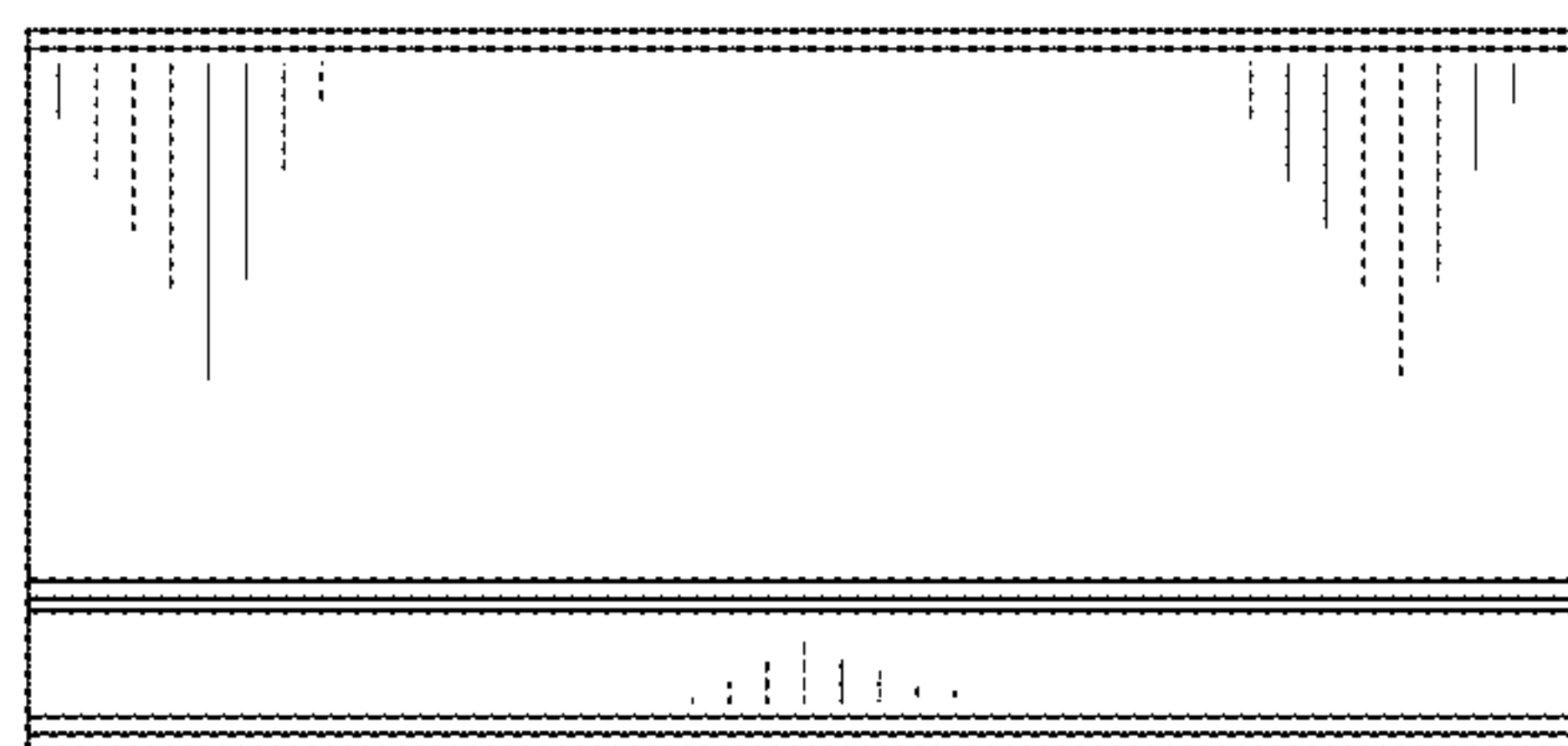


FIG. 8