



US00D818361S

(12) **United States Design Patent** (10) **Patent No.:** **US D818,361 S**  
**Kaiser** (45) **Date of Patent:** **\*\* May 22, 2018**

(54) **GROWLER LID WITH CARRYING HANDLE**

(71) Applicant: **Mark Christian Kaiser**, Minneapolis, MN (US)

(72) Inventor: **Mark Christian Kaiser**, Minneapolis, MN (US)

(\*\*) Term: **15 Years**

(21) Appl. No.: **29/605,681**

(22) Filed: **May 30, 2017**

**Related U.S. Application Data**

(62) Division of application No. 29/521,485, filed on Mar. 24, 2015, now Pat. No. Des. 787,935.

(51) **LOC (11) Cl.** ..... **09-07**

(52) **U.S. Cl.**  
USPC ..... **D9/435**

(58) **Field of Classification Search**  
USPC ..... D9/435-436, 447, 452, 485-486, 439, D9/443

CPC ..... B65D 39/00; B65D 39/16; B65D 42/00; B65D 42/02; B65D 43/32; B65D 45/04; B65D 50/00; B65D 50/02; B65D 51/005; B65D 51/007; B65D 51/14; B65D 51/145; B65D 51/18; B65D 51/28; B65D 51/2807; B65D 53/02

See application file for complete search history.

(56) **References Cited**

**U.S. PATENT DOCUMENTS**

- 116,844 A \* 7/1871 Savery ..... B65D 51/28 220/521
- 328,672 A \* 10/1885 Hayward ..... B65D 39/16 215/291
- 590,908 A \* 9/1897 Pendleton, Jr. .... B65D 51/145 215/276
- 1,338,494 A \* 4/1920 Daniel ..... B65D 39/16 215/272

- 1,669,216 A \* 5/1928 Stanley ..... B65D 45/04 215/238
- 2,003,460 A \* 6/1935 Paull ..... B65D 39/16 126/373.1
- 2,582,269 A \* 1/1952 Oftedahl ..... B65D 39/16 16/444
- D206,029 S \* 10/1966 Stull ..... D9/443
- D276,790 S \* 12/1984 Laske ..... D9/443
- D414,685 S \* 10/1999 Chahed ..... D9/443
- D415,426 S \* 10/1999 Herrmann ..... D9/443
- 6,227,393 B1 \* 5/2001 Takeuchi ..... B29C 45/0081 215/396

(Continued)

*Primary Examiner* — Robin V Webster

*Assistant Examiner* — Rachel Voorhies

(74) *Attorney, Agent, or Firm* — Antonio Papageorgiou, Esq.; Meister Seelig & Fein LLP

(57) **CLAIM**

The ornamental design for a growler lid with carrying handle, as shown and described.

**DESCRIPTION**

FIG. 1 is a perspective view of one side and the front of the growler lid with carrying handle according to one embodiment of my new design;

FIG. 2 is a front view thereof, the back side being equal and opposite;

FIG. 3 is a left side view thereof;

FIG. 4 is a right side view thereof;

FIG. 5 is a top view thereof;

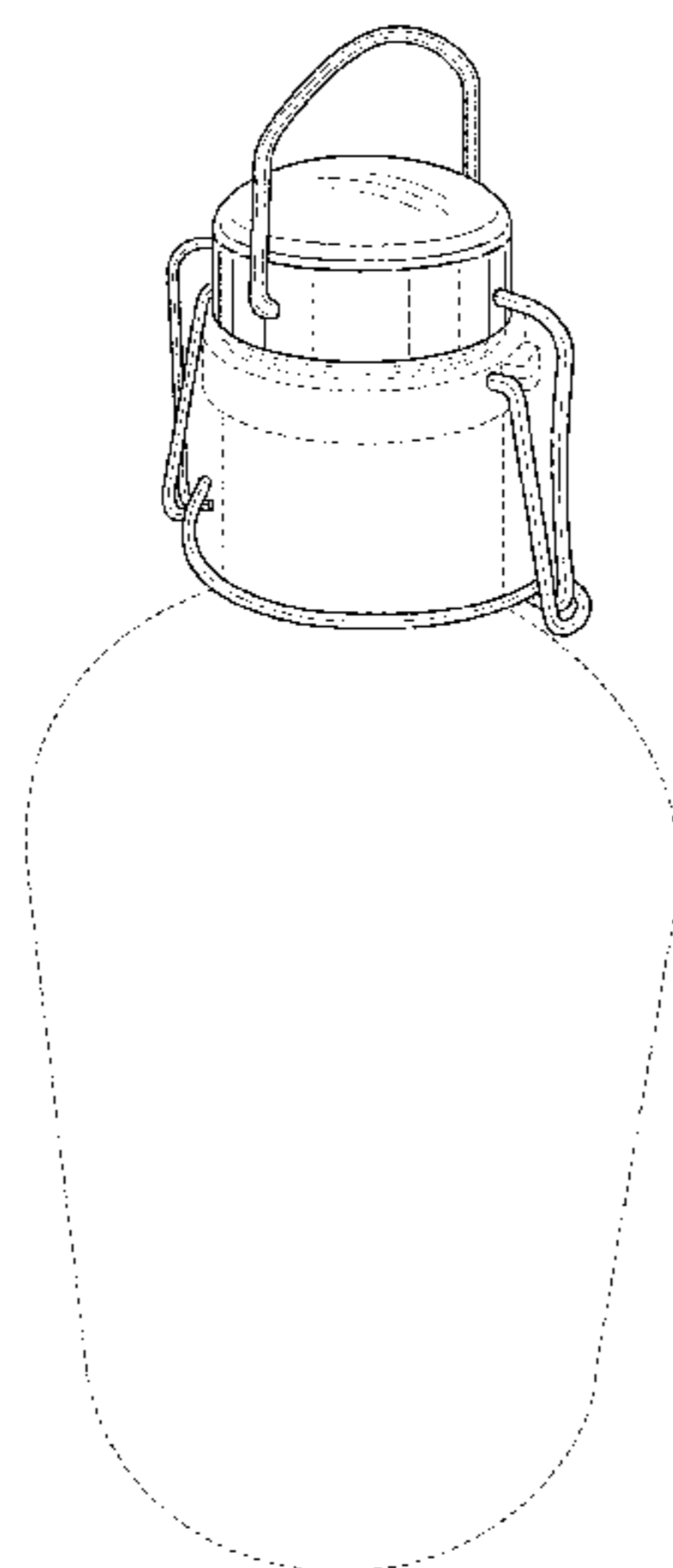
FIG. 6 is a bottom view thereof; and,

FIG. 7 is another embodiment of a top view like FIG. 5.

The dashed lines shown in the drawings depict environmental subject matter only and form no part of the claimed design.

An application for the logo Growl Steel, forming part of the claimed design, has been filed for US federal trademark registration by the Kaiser Group Inc.

**1 Claim, 6 Drawing Sheets**



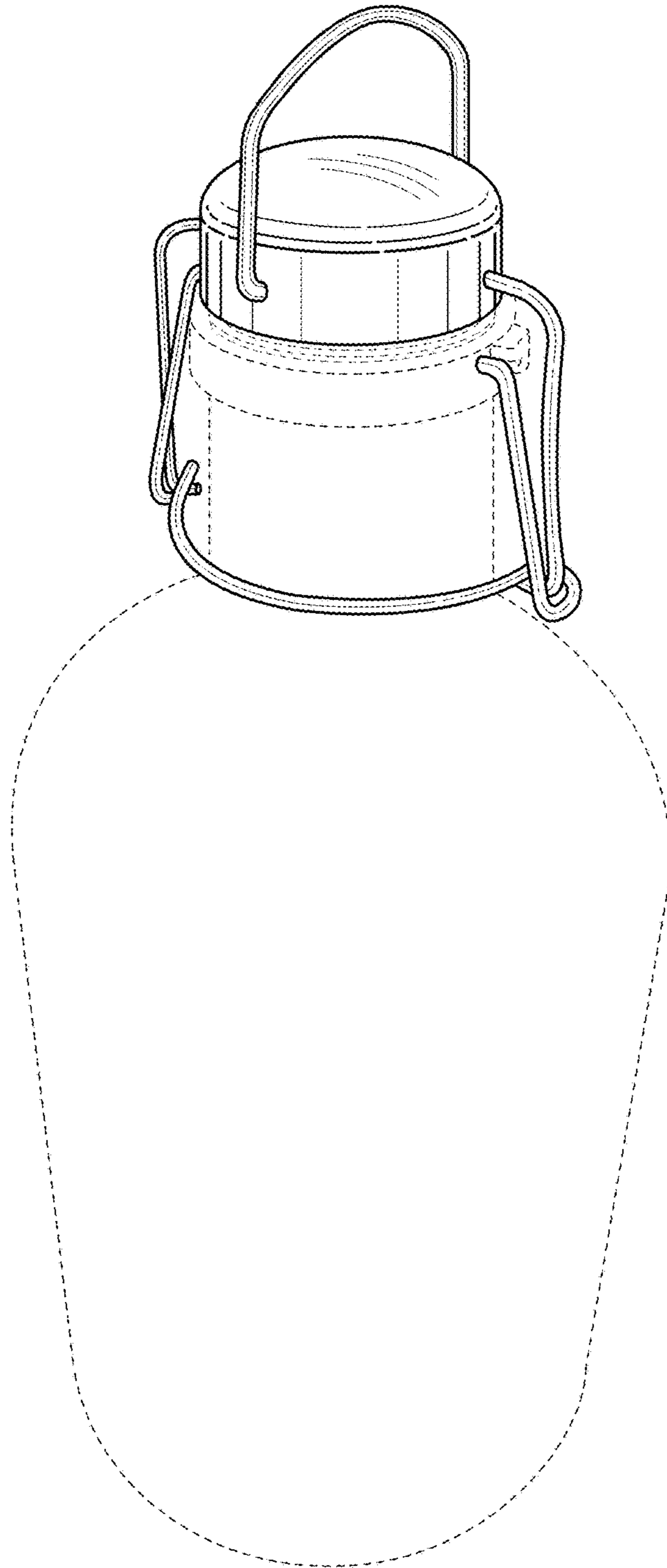
(56)

**References Cited**

U.S. PATENT DOCUMENTS

D743,269 S \* 11/2015 Pape ..... D9/550  
D758,859 S \* 6/2016 Sorensen ..... D7/393  
D764,915 S \* 8/2016 Schwartz ..... B65D 51/242  
D9/443  
D784,146 S \* 4/2017 Notheis ..... D7/511  
D787,935 S \* 5/2017 Kaiser ..... D9/435  
D794,460 S \* 8/2017 Notheis ..... D9/443  
2006/0151422 A1 \* 7/2006 Manley ..... B65D 39/08  
215/341  
2017/0015462 A1 \* 1/2017 Roth ..... B65D 45/06

\* cited by examiner



**FIG. 1**

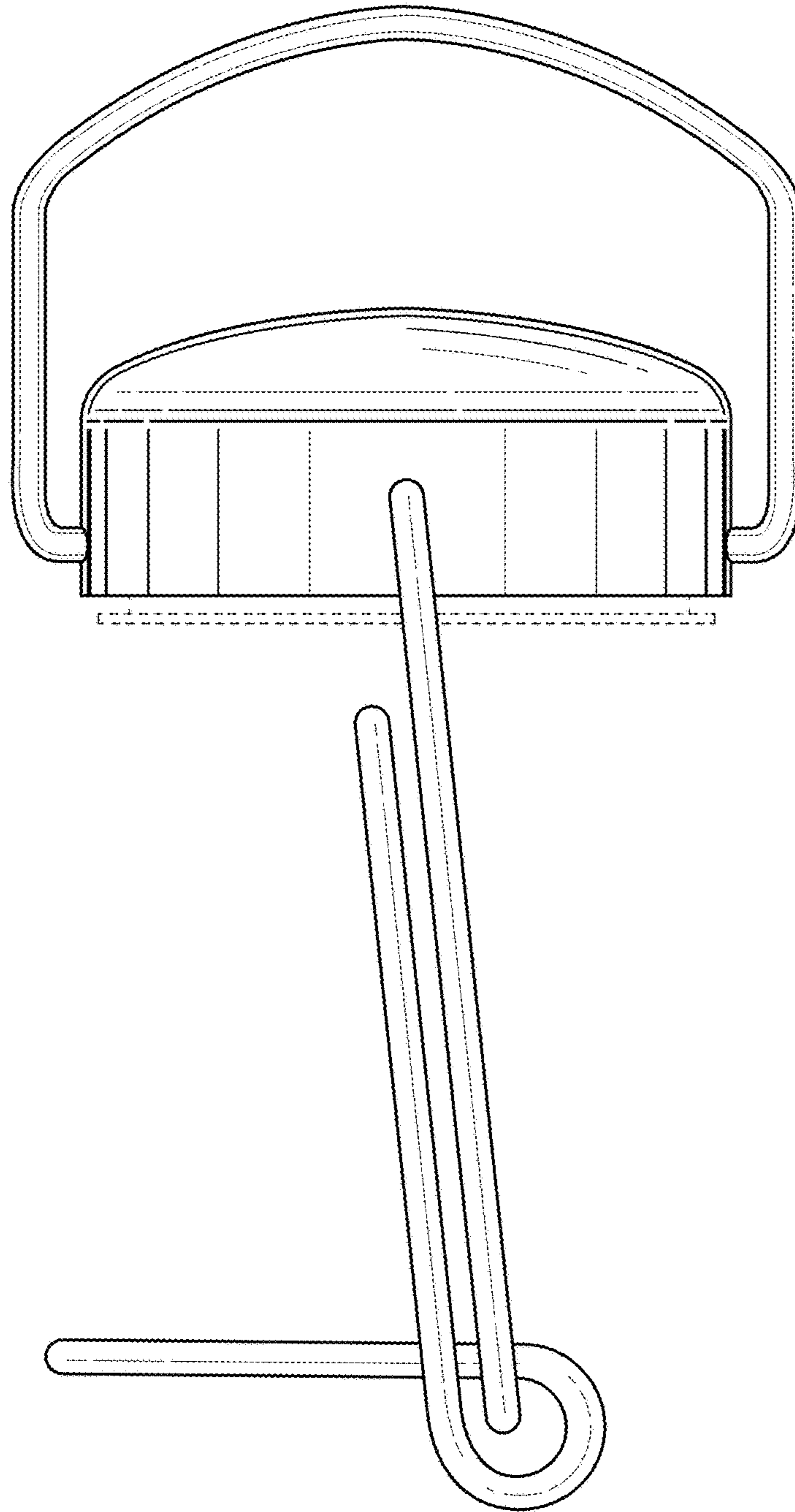
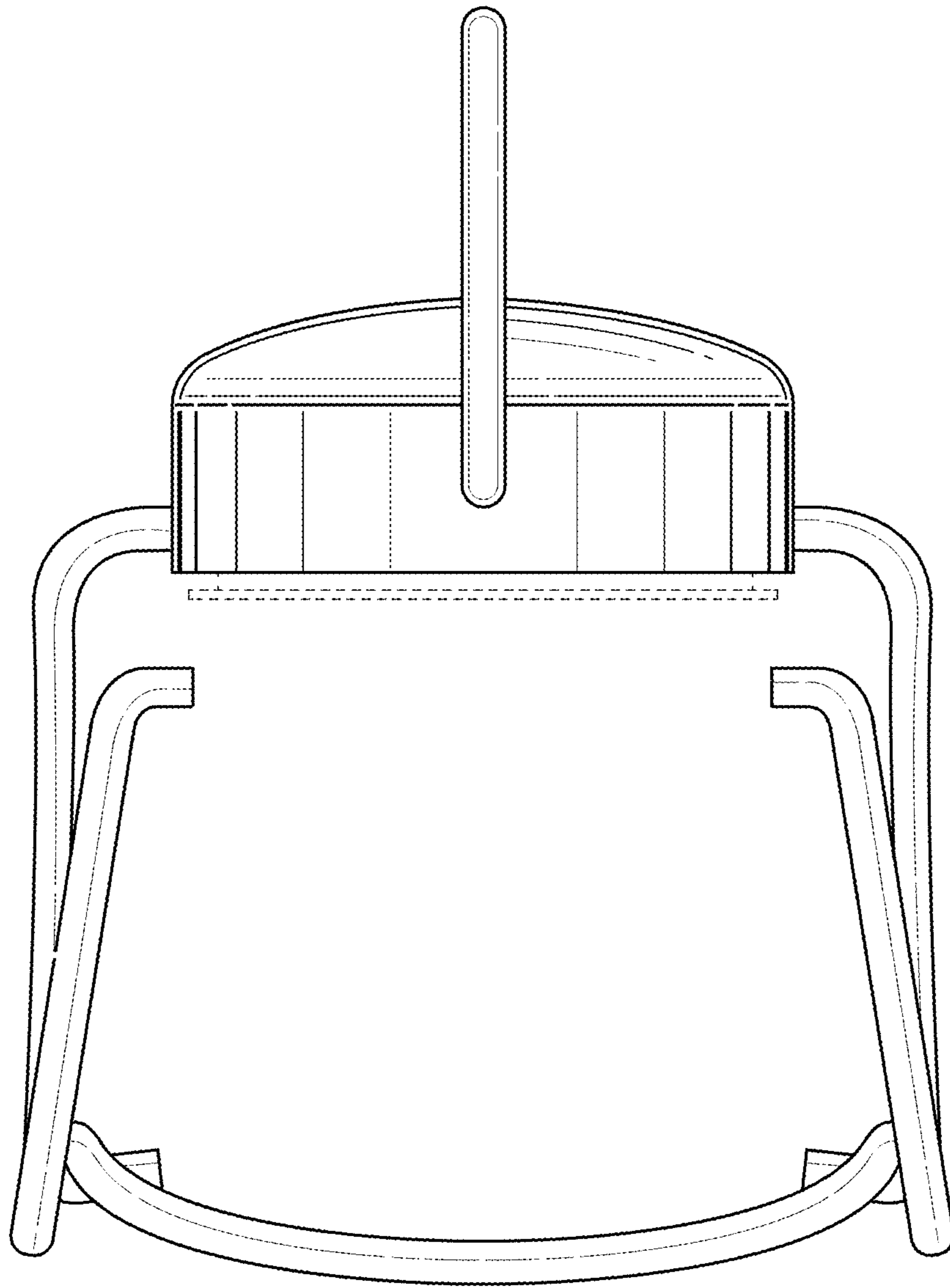


FIG. 2



**FIG. 3**

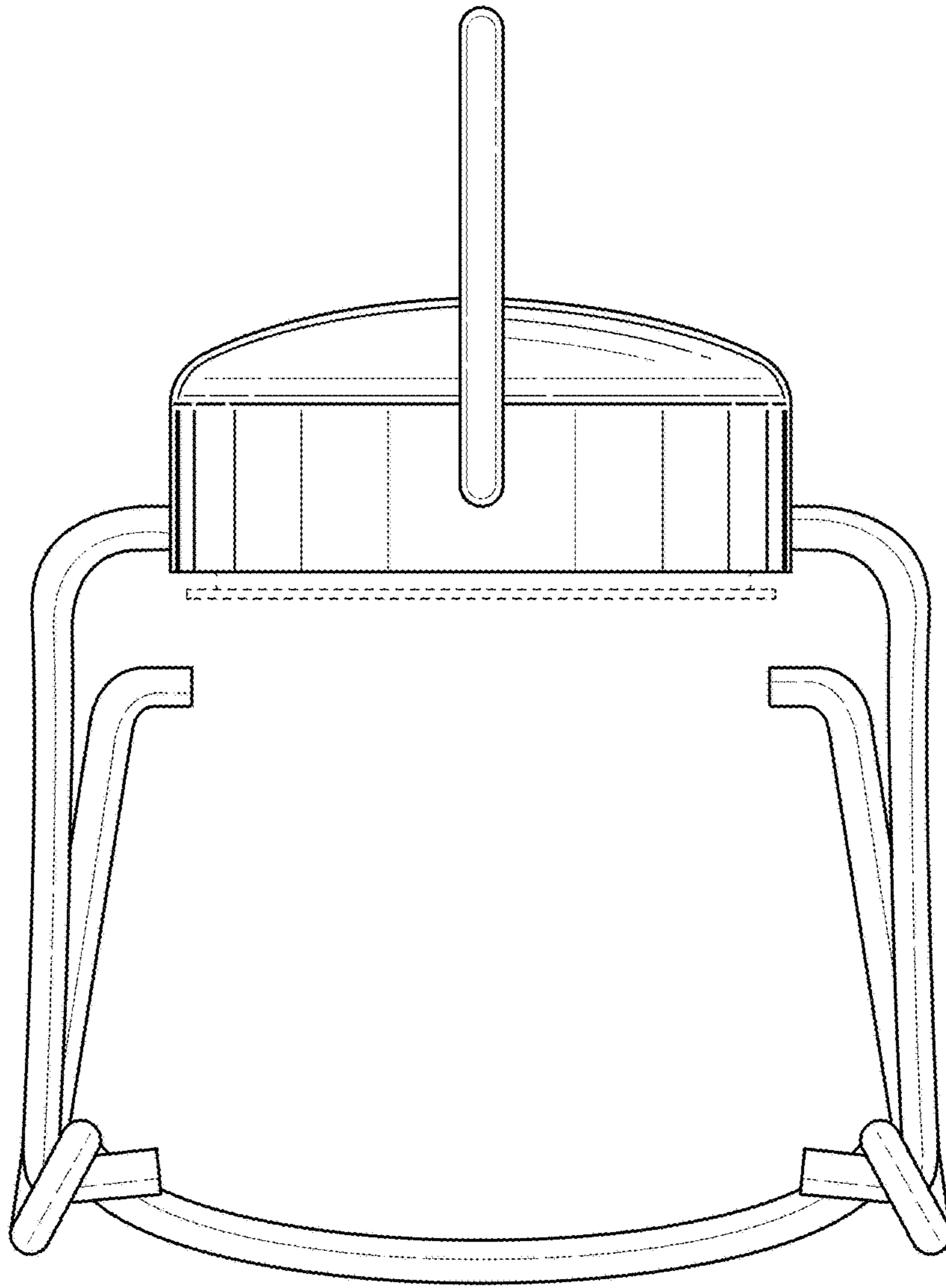
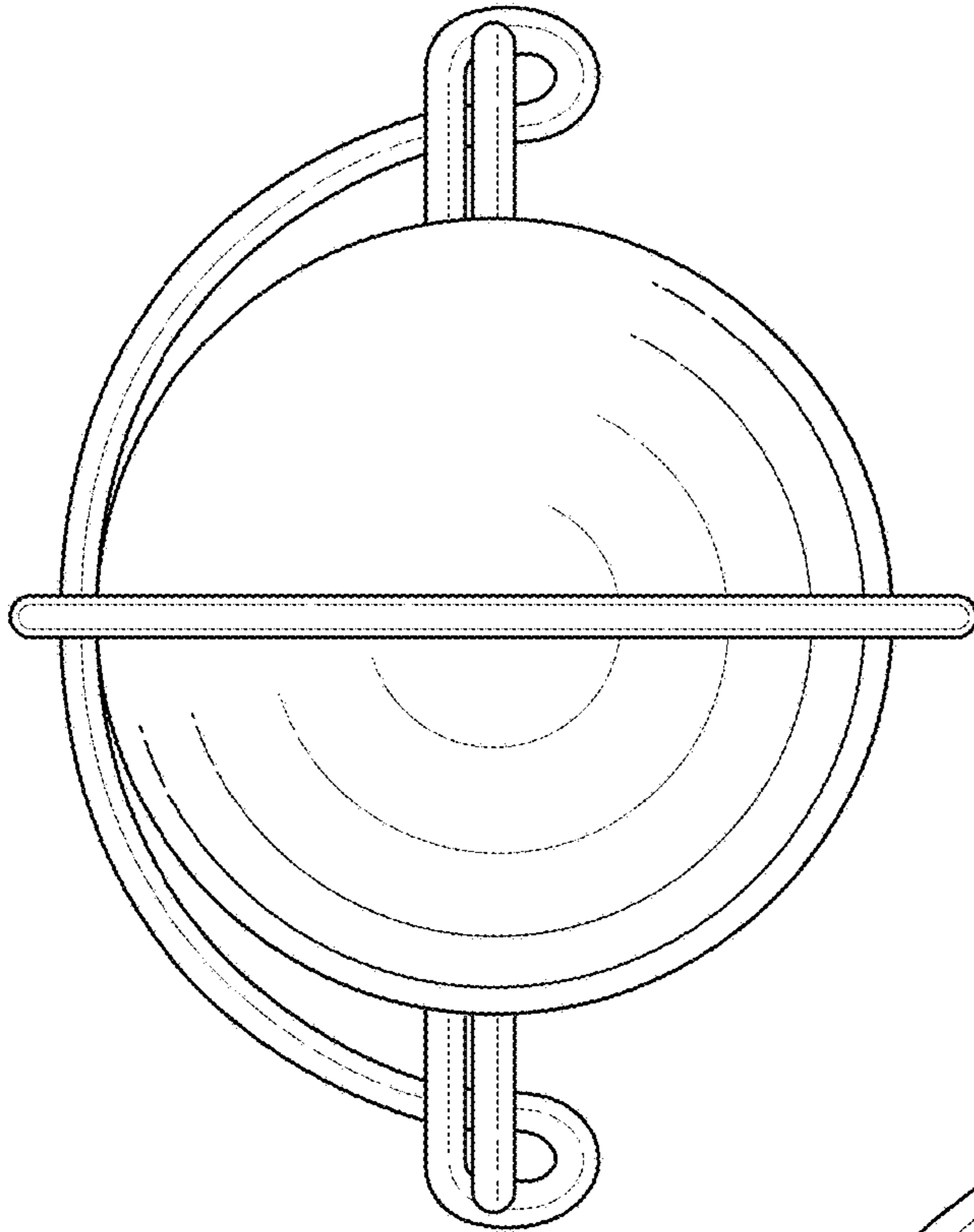
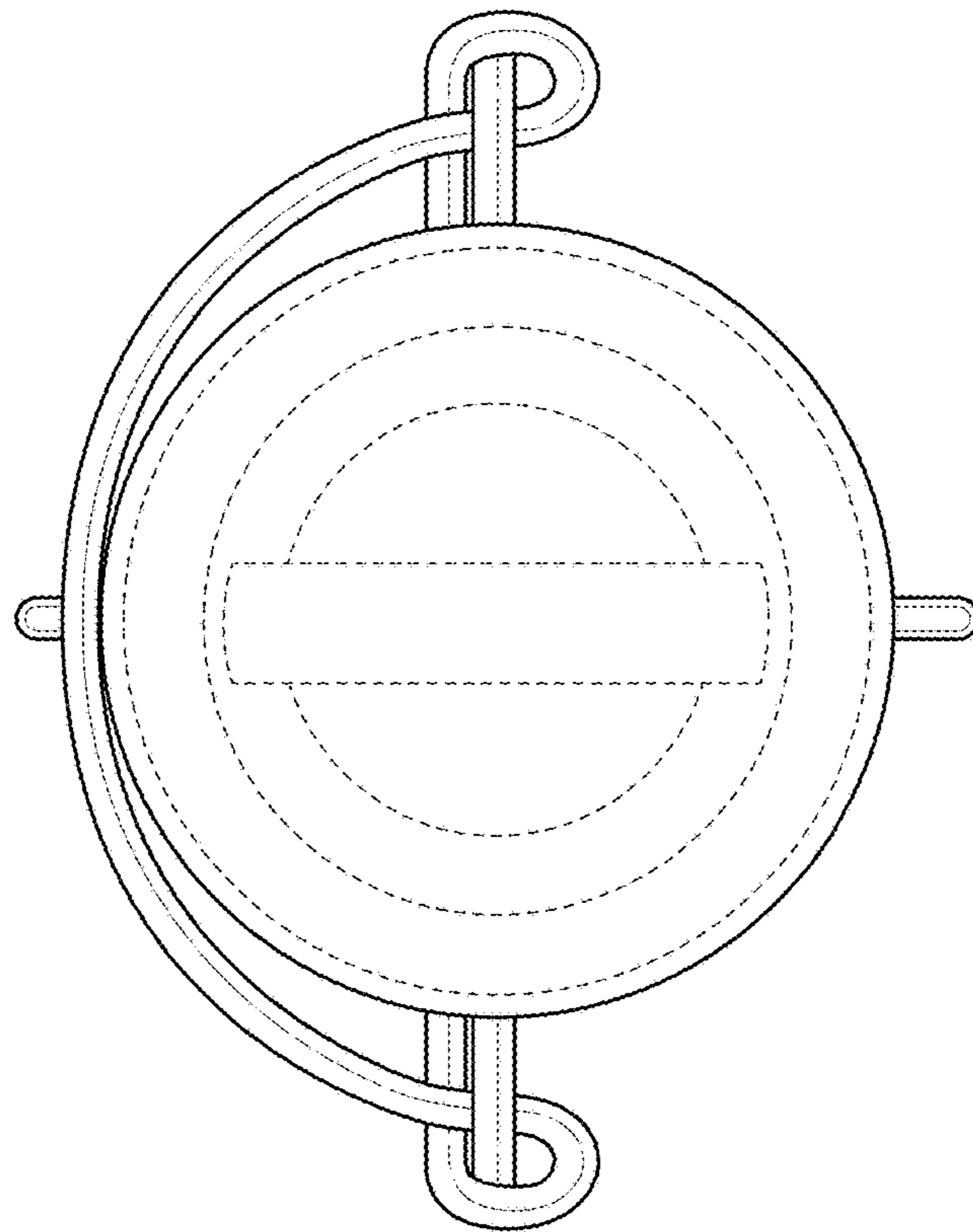


FIG. 4





**FIG. 5**



**FIG. 6**



FIG. 7