



US00D818360S

(12) **United States Design Patent**  
**Oates, II et al.**

(10) **Patent No.:** **US D818,360 S**

(45) **Date of Patent:** **\*\* May 22, 2018**

(54) **FLEXIBLE ORAL DISPENSING APPARATUS**

(71) Applicant: **PERFORMANCE PACKAGING OF NEVADA, LLC**, Las Vegas, NV (US)

(72) Inventors: **Robert Bradley Oates, II**, San Diego, CA (US); **Brian Paul Brock**, Reading, PA (US); **Cory James Spivey**, San Diego, CA (US)

(73) Assignee: **PERFORMANCE PACKAGING OF NEVADA, LLC**, Las Vegas, NV (US)

(\*\*) Term: **14 Years**

(21) Appl. No.: **29/510,911**

(22) Filed: **Dec. 4, 2014**

**Related U.S. Application Data**

(62) Division of application No. 29/435,905, filed on Oct. 30, 2012, now Pat. No. Des. 720,217.

(51) **LOC (11) Cl.** ..... **09-07**

(52) **U.S. Cl.**  
USPC ..... **D9/435**

(58) **Field of Classification Search**  
USPC ..... D23/255-259, 269, 386, 387, 390, 393;  
D9/707-710, 723, 724, 447, 440, 434,  
D9/449, 450; D6/542; D7/510, 398,  
D7/396.2, 392.1, 511; D24/194-199  
CPC ..... B22D 4/50; B22D 4/502-4/507; B65D  
47/06; B65D 2231/022; B65D 5/746;  
A61M 39/10

See application file for complete search history.

(56) **References Cited**

**U.S. PATENT DOCUMENTS**

3,353,714 A 11/1967 Trecek  
3,381,860 A \* 5/1968 Armour ..... B05B 11/043  
D9/450  
D235,343 S \* 6/1975 Otto ..... D23/262

D239,388 S 3/1976 Lakfeldt et al.  
D249,647 S 9/1978 Goodall  
D264,938 S 6/1982 Stock  
D264,941 S 6/1982 Stock  
D277,937 S 3/1985 Fortuna  
D282,961 S 3/1986 Ryan  
D287,872 S 1/1987 Eriksson  
4,669,124 A 5/1987 Kimura  
5,137,183 A 8/1992 Mikulec

(Continued)

**FOREIGN PATENT DOCUMENTS**

WO 2002/022073 A1 3/2002  
WO 2003/013419 A1 2/2003

*Primary Examiner* — Susan Bennett Hattan

*Assistant Examiner* — Brett Miller

(74) *Attorney, Agent, or Firm* — Barnes & Thornburg LLP

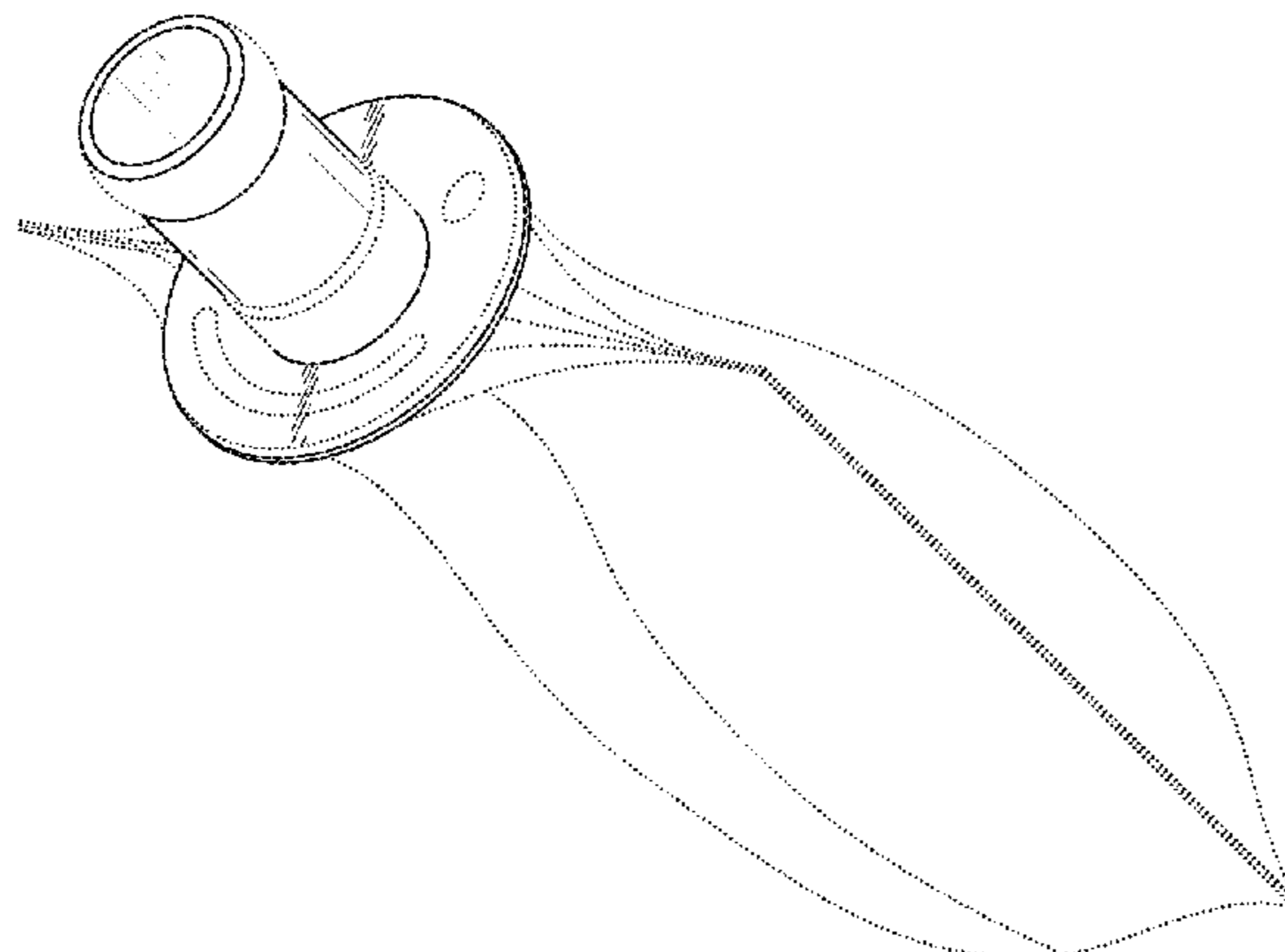
(57) **CLAIM**

The ornamental design for a flexible oral dispensing apparatus, as shown and described.

**DESCRIPTION**

FIG. 1 is a front view of a flexible oral dispensing apparatus configured in accordance with the present invention, the rear view being a mirror image thereof; FIG. 2 is a right side view thereof, the left side view being a mirror image of the front view; FIG. 3 is a top view thereof; FIG. 4 is a bottom view thereof; FIG. 5 is a top perspective view thereof; and, FIG. 6 is a bottom perspective view thereof. The broken lines illustrate portions of the flexible oral dispensing apparatus which form no part of the claimed design. FIGS. 1-3 and 5 show the claimed flexible oral dispensing apparatus in combination with an unclaimed environmental pouch. The environmental pouch is omitted from FIGS. 4 and 6 for clarity.

**1 Claim, 4 Drawing Sheets**



(56)

References Cited

U.S. PATENT DOCUMENTS

D339,503 S 9/1993 Callaway  
 5,350,110 A \* 9/1994 Will ..... B65D 5/746  
 229/125.15  
 D356,231 S 3/1995 Peyton, Jr.  
 D358,530 S 5/1995 Mehra et al.  
 D359,683 S \* 6/1995 Beach ..... D9/434  
 D368,304 S 3/1996 Morrison  
 5,545,315 A \* 8/1996 Lonneman ..... C02F 1/003  
 210/120  
 D378,196 S 2/1997 Daansen  
 D378,718 S 4/1997 Daansen  
 D385,956 S 11/1997 Doughty et al.  
 D422,823 S 4/2000 Daansen  
 D423,933 S 5/2000 Fritz et al.  
 D428,141 S 7/2000 Brotspies et al.  
 D433,729 S \* 11/2000 Poirier ..... D7/511  
 D438,955 S 3/2001 Rudzena et al.  
 D448,448 S \* 9/2001 Hughes ..... D23/209  
 D464,262 S 10/2002 Drennow  
 D467,769 S 12/2002 Riendeau  
 6,675,482 B1 1/2004 Gilbert, Jr.  
 D490,315 S \* 5/2004 Kiser ..... D9/447  
 D524,648 S \* 7/2006 Feist ..... D9/447  
 D529,799 S \* 10/2006 Jensen ..... D9/447  
 D531,900 S 11/2006 Mavin et al.  
 D551,075 S \* 9/2007 Puller ..... D9/447  
 D560,122 S \* 1/2008 Fuchs ..... D9/708  
 D565,877 S 4/2008 Chen  
 7,374,046 B1 5/2008 O'Brien

D581,808 S \* 12/2008 Schwartz ..... D9/708  
 D591,108 S 4/2009 Pesach et al.  
 D602,128 S \* 10/2009 Williams ..... D23/262  
 D613,120 S \* 4/2010 Thompson ..... D7/510  
 D629,250 S 12/2010 Finell et al.  
 7,959,045 B2 6/2011 Kuge  
 D642,436 S 8/2011 Schofield et al.  
 8,083,102 B2 12/2011 Murray  
 D655,796 S 3/2012 Dewitt et al.  
 D656,820 S 4/2012 Willows et al.  
 D672,210 S 12/2012 Rockwell et al.  
 D690,336 S 9/2013 Gjertsen  
 D692,319 S 10/2013 Moreau  
 D709,995 S \* 7/2014 Crabbe ..... D23/262  
 D715,644 S \* 10/2014 Drozd ..... D9/435  
 D743,255 S \* 11/2015 Niggemyer ..... D9/435  
 2002/0017528 A1 \* 2/2002 Stillinger ..... B65D 5/746  
 220/711  
 2003/0071042 A1 \* 4/2003 Adams ..... B65D 5/746  
 220/258.2  
 2009/0230633 A1 9/2009 Willemstyn et al.  
 2010/0032381 A1 \* 2/2010 O'Brien ..... C02F 1/002  
 210/749  
 2010/0116769 A1 \* 5/2010 Kountotsis ..... B65D 1/0292  
 215/6  
 2011/0095059 A1 \* 4/2011 Giraud ..... B65D 5/746  
 222/541.9  
 2011/0178496 A1 7/2011 Grant  
 2011/0284479 A1 \* 11/2011 O'Brien ..... C02F 1/002  
 210/764  
 2012/0284991 A1 11/2012 Kusz et al.

\* cited by examiner

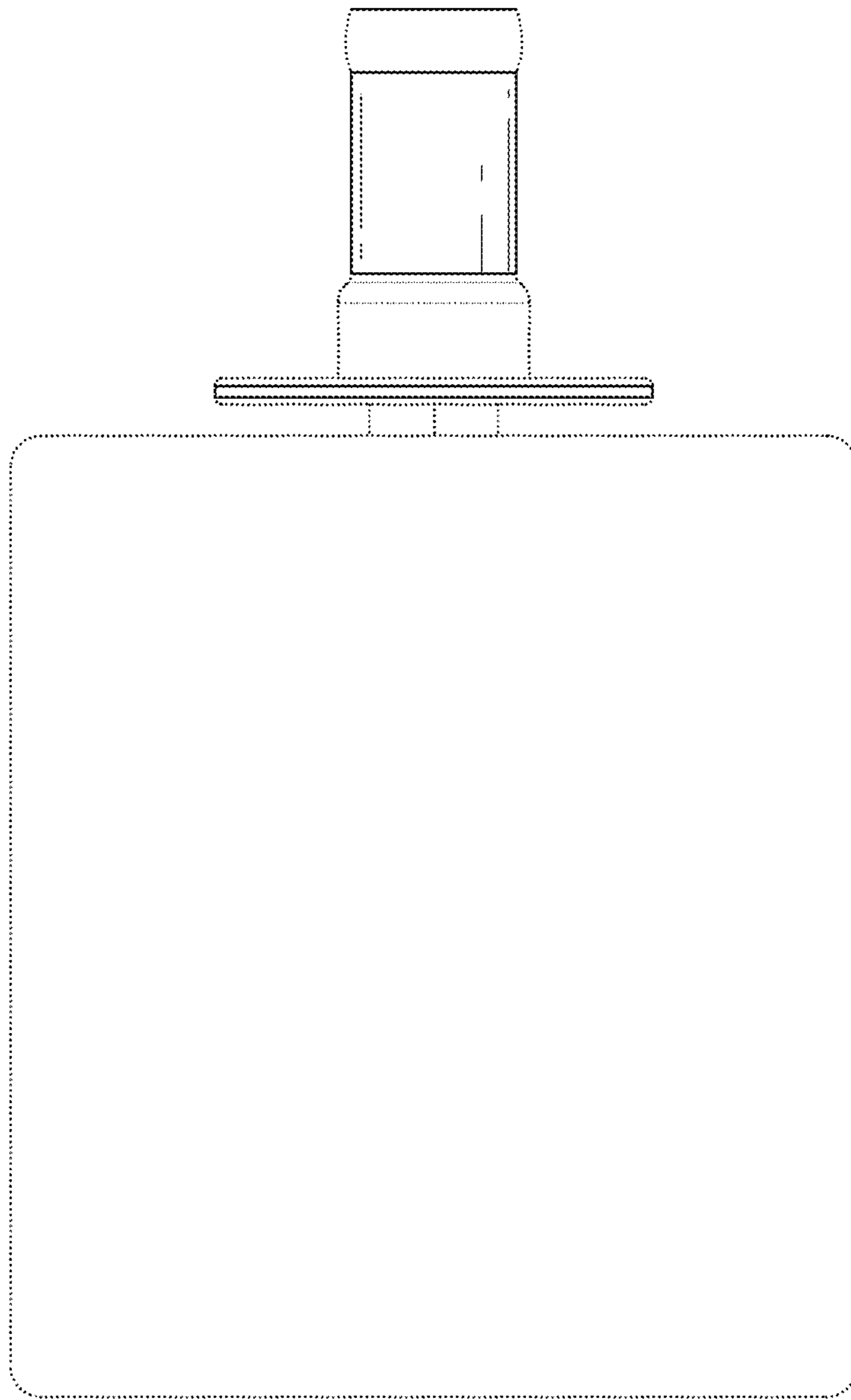


FIG. 1

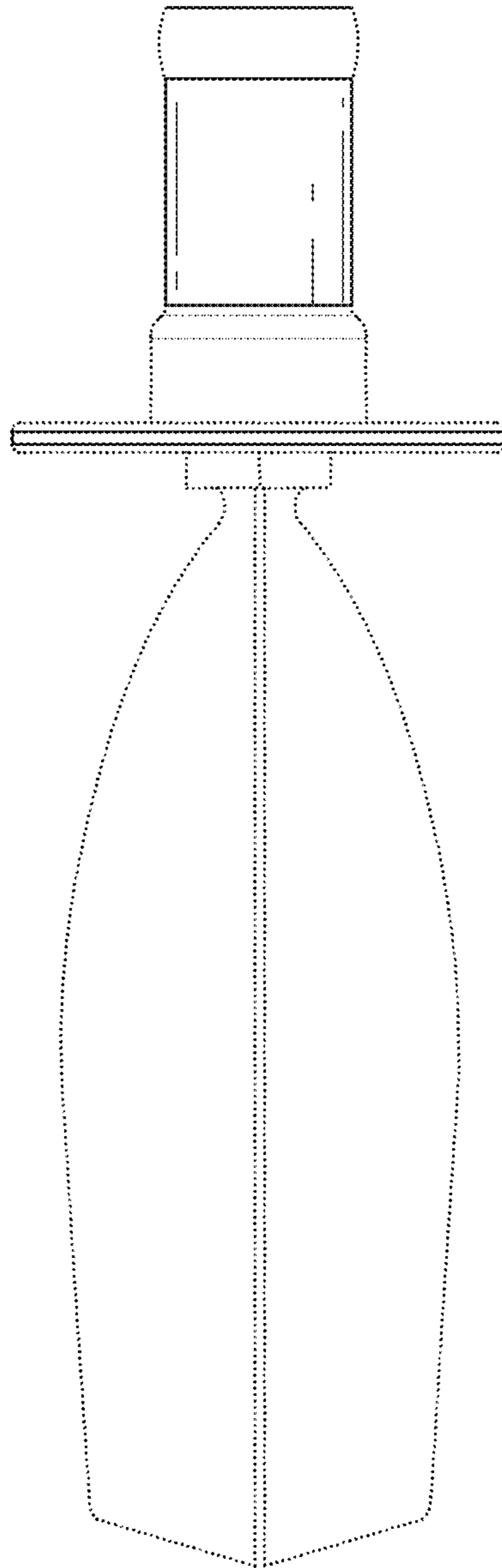


FIG. 2

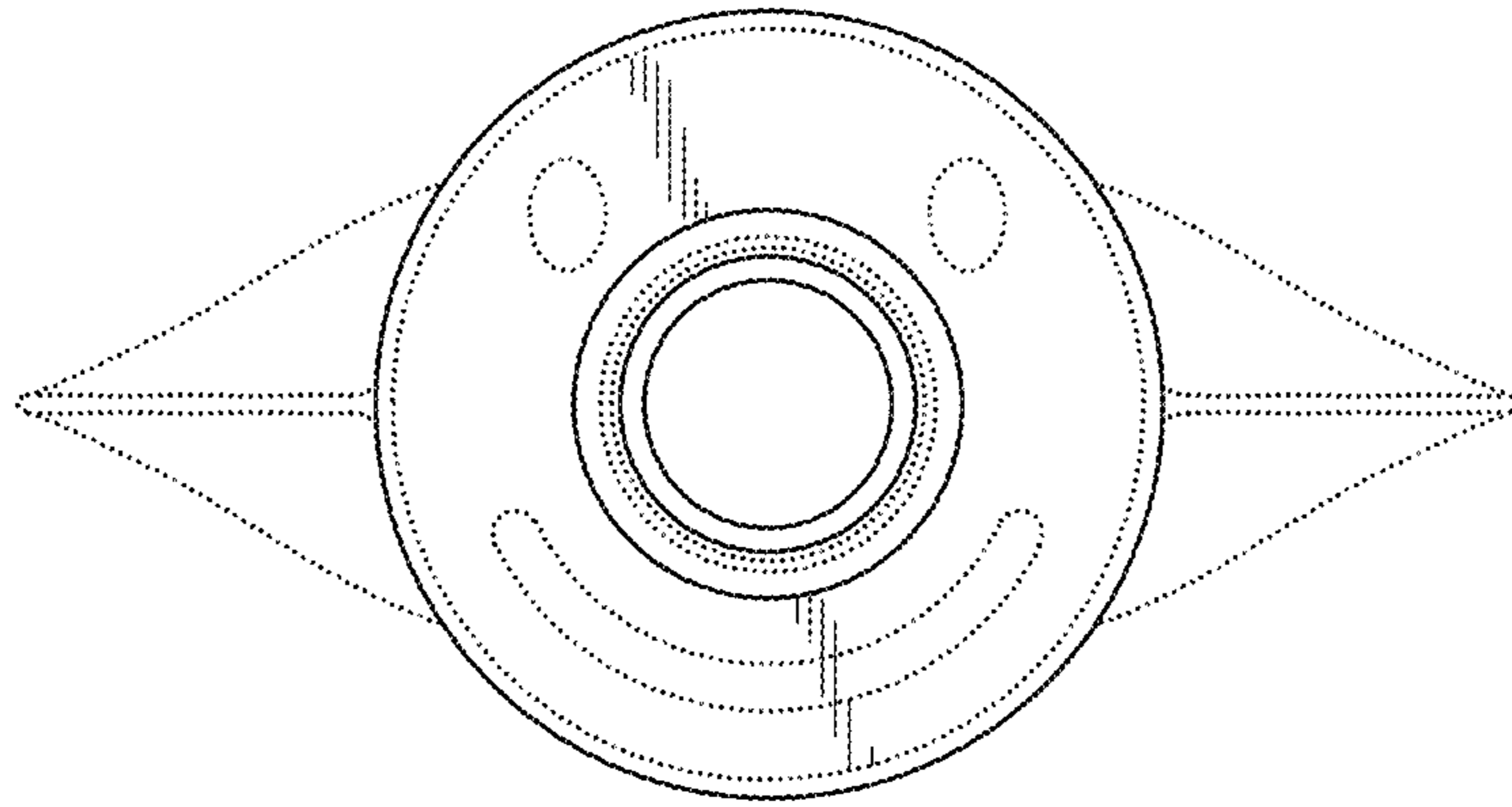


FIG. 3

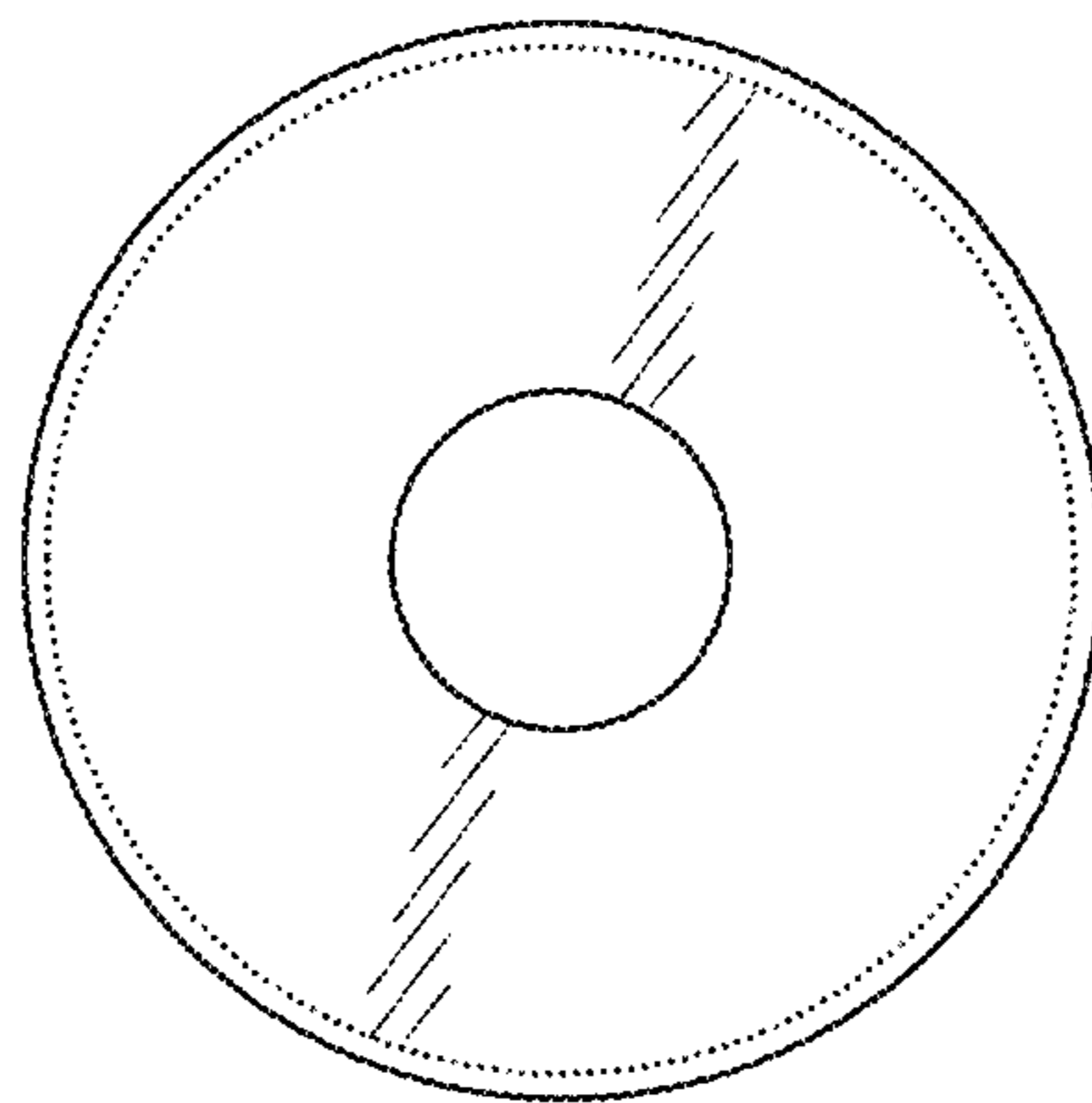


FIG. 4

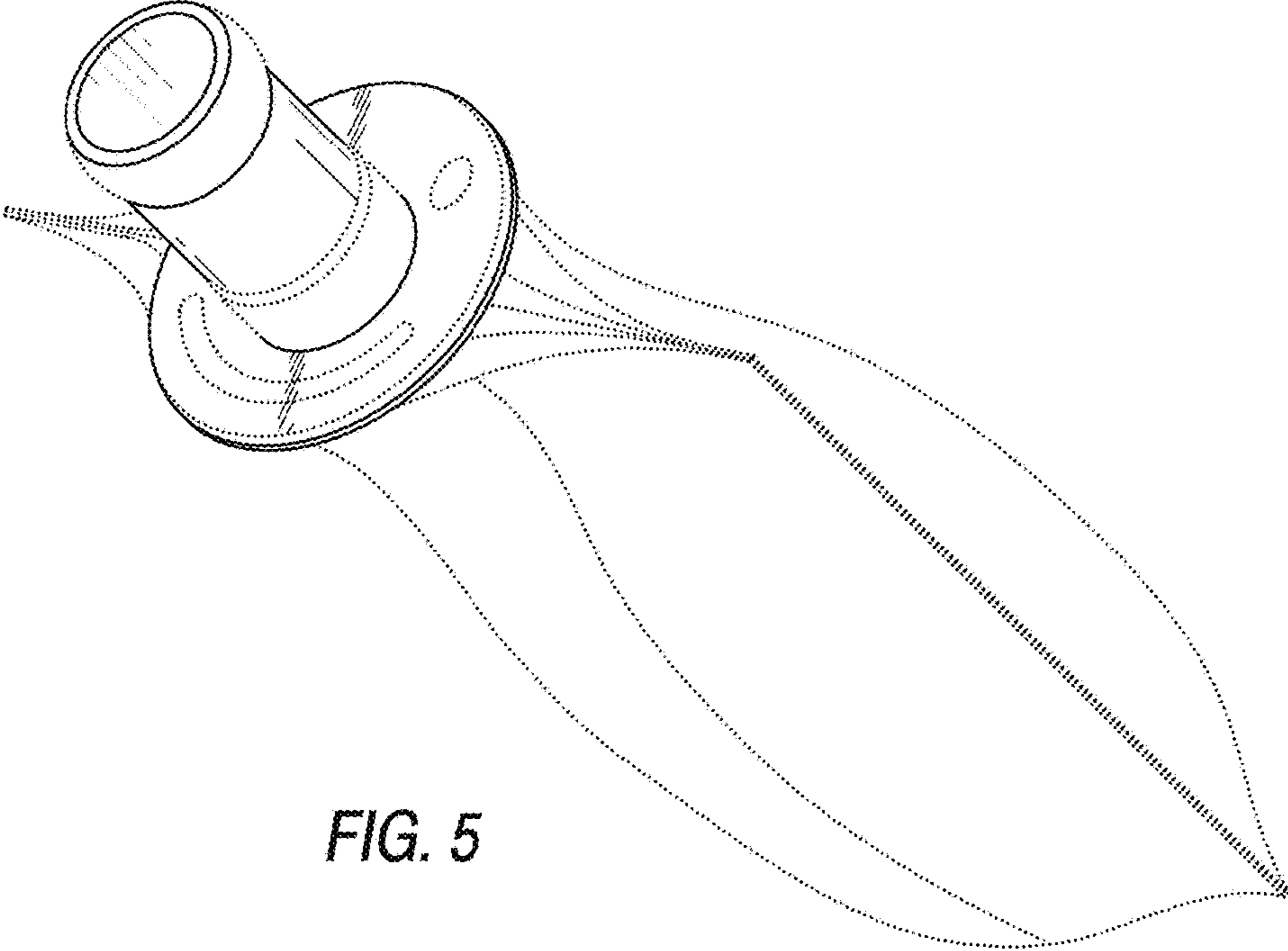


FIG. 5

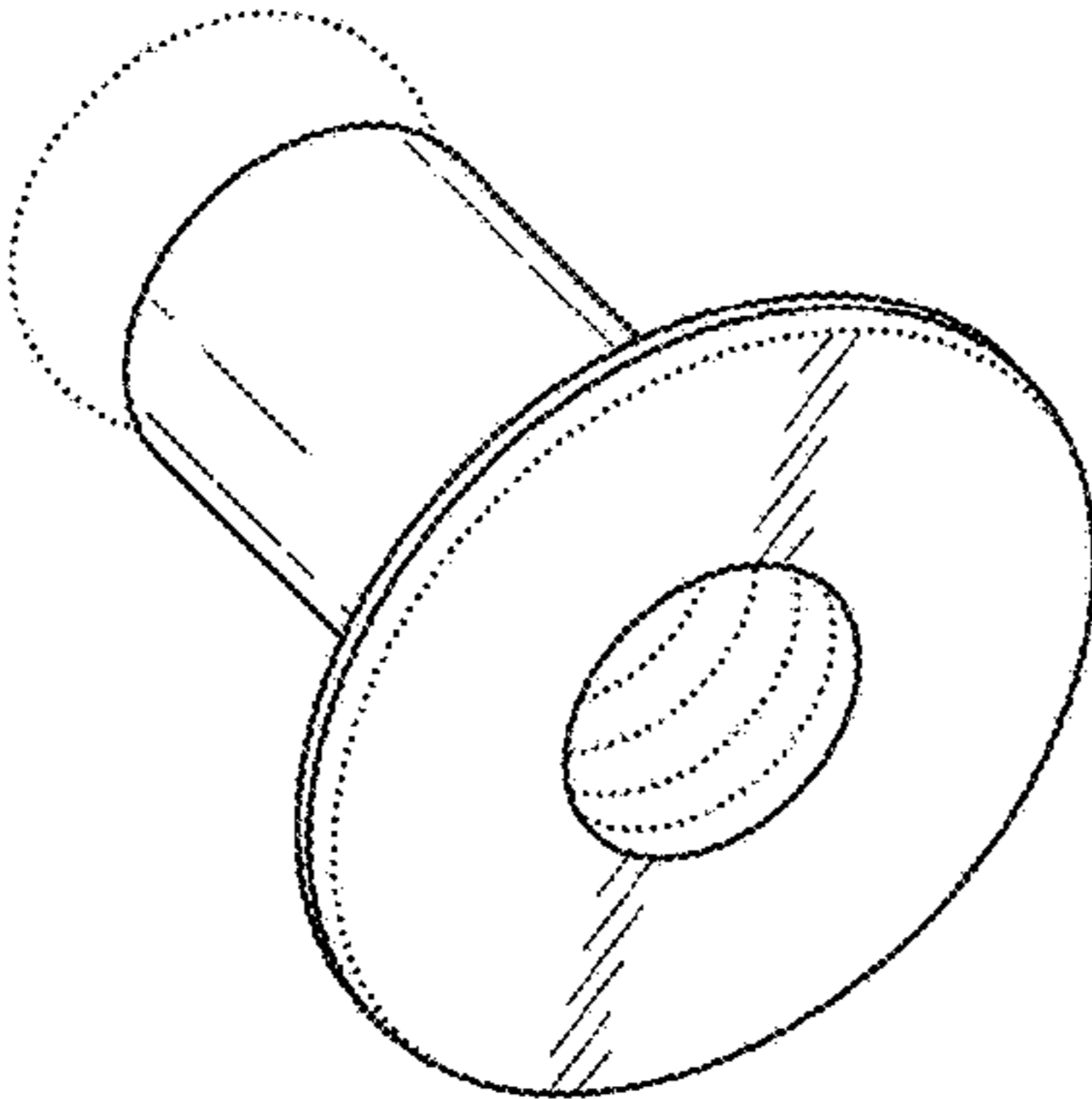


FIG. 6