



US00D818357S

(12) **United States Design Patent**  
**Cummings**

(10) **Patent No.:** **US D818,357 S**

(45) **Date of Patent:** **\*\* May 22, 2018**

(54) **PLACARD CLIP ASSEMBLY**

(71) Applicant: **Robert Orren Cummings**, Alpine, UT  
(US)

(72) Inventor: **Robert Orren Cummings**, Alpine, UT  
(US)

(\*\*) Term: **15 Years**

(21) Appl. No.: **29/594,910**

(22) Filed: **Feb. 23, 2017**

(51) **LOC (11) Cl.** ..... **08-08**

(52) **U.S. Cl.**  
USPC ..... **D8/394**; D8/395

(58) **Field of Classification Search**  
USPC ..... D8/394-396; D11/222  
CPC ..... B42F 1/00; A47G 25/80; B65D 63/00;  
A63B 57/60; F16L 3/13  
See application file for complete search history.

(56) **References Cited**

**U.S. PATENT DOCUMENTS**

- 1,857,488 A \* 5/1932 Weeks ..... B42F 1/06  
150/137
- D280,973 S \* 10/1985 Ferrell ..... D8/395
- 5,332,090 A \* 7/1994 Tucker ..... A63B 55/408  
206/315.3
- D363,453 S \* 10/1995 Herdt ..... D11/78.1
- D390,453 S \* 2/1998 Hamerski ..... D8/396
- 5,759,049 A \* 6/1998 Gerber ..... H01M 2/1044  
439/74
- D471,709 S \* 3/2003 Coyne ..... D3/263
- D474,679 S \* 5/2003 Malin ..... D8/394
- D523,330 S \* 6/2006 Mattesky ..... D8/395
- D537,329 S \* 2/2007 Blanton ..... D8/395
- D566,539 S \* 4/2008 Hicks ..... D8/395
- D597,827 S \* 8/2009 Brassard ..... D8/395
- D636,293 S \* 4/2011 Dolce ..... D11/222
- 7,963,010 B2 \* 6/2011 Levesque ..... A44B 99/00  
24/3.1
- D641,614 S \* 7/2011 Pontaoe ..... D8/394

- D652,830 S \* 1/2012 Nazar ..... D12/417
- D710,097 S \* 8/2014 Forbus ..... D3/266
- D756,644 S \* 5/2016 Murphy, Jr. .... D3/266
- D770,887 S \* 11/2016 Sudol ..... D8/395
- D780,739 S \* 3/2017 Kalbach ..... D14/250
- D787,925 S \* 5/2017 Moerer ..... D11/208
- D796,945 S \* 9/2017 Stokeley ..... D8/395
- D806,529 S \* 1/2018 Olenick ..... D8/399
- D812,461 S \* 3/2018 Lee ..... D8/394
- 2011/0011906 A1 \* 1/2011 Musgrave ..... A45F 5/02  
224/269

**FOREIGN PATENT DOCUMENTS**

CN 301316651 \* 8/2010

**OTHER PUBLICATIONS**

Mayflower by Velocity Systems Triple 5.56 Magazine Swift-Clip,  
no date, tps://www.evike.com/products/76423/, site visited Mar. 15,  
2018 (Year: 2018).\*

\* cited by examiner

*Primary Examiner* — John Windmuller

*Assistant Examiner* — John R Yeh

(74) *Attorney, Agent, or Firm* — J. Todd Rushton

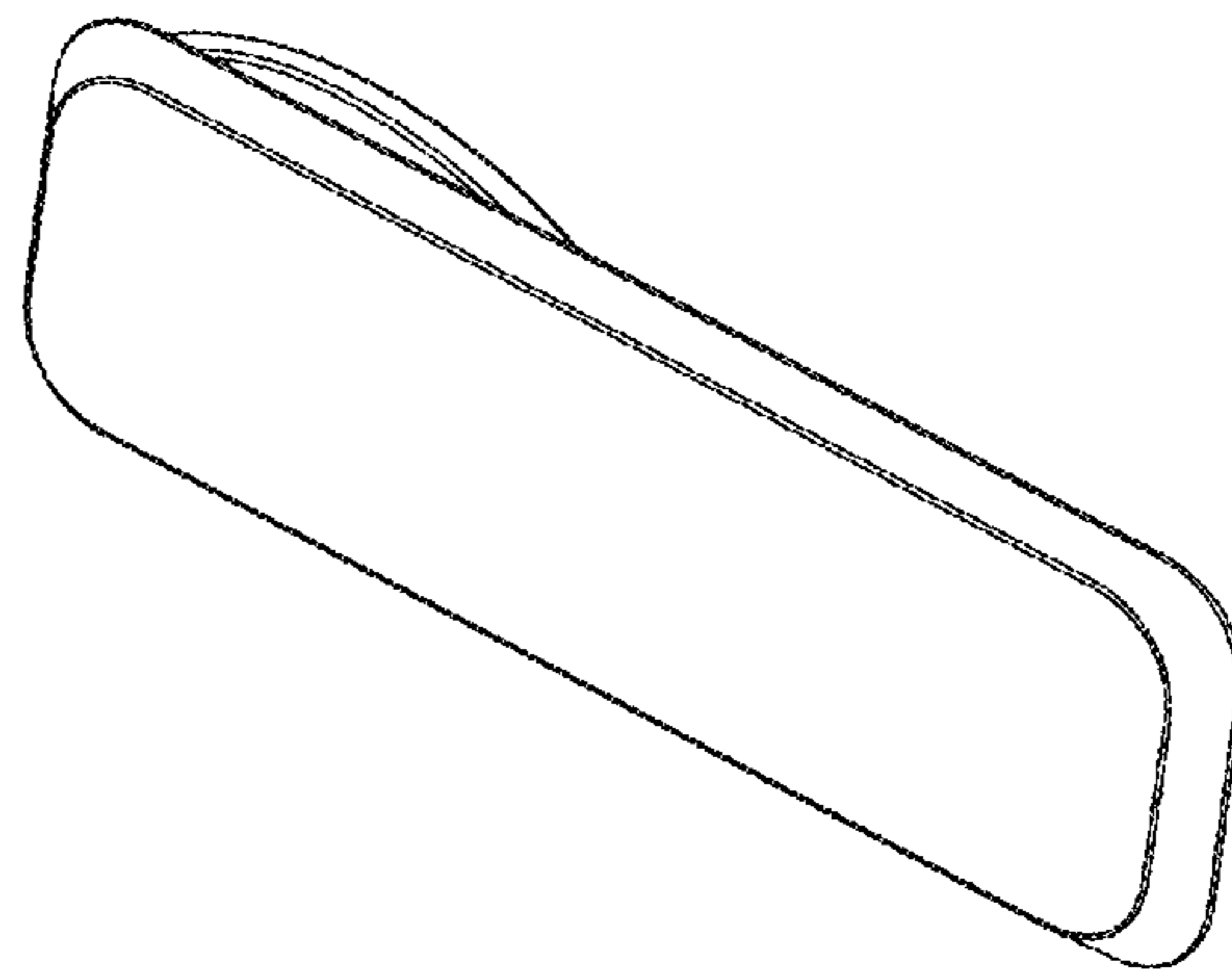
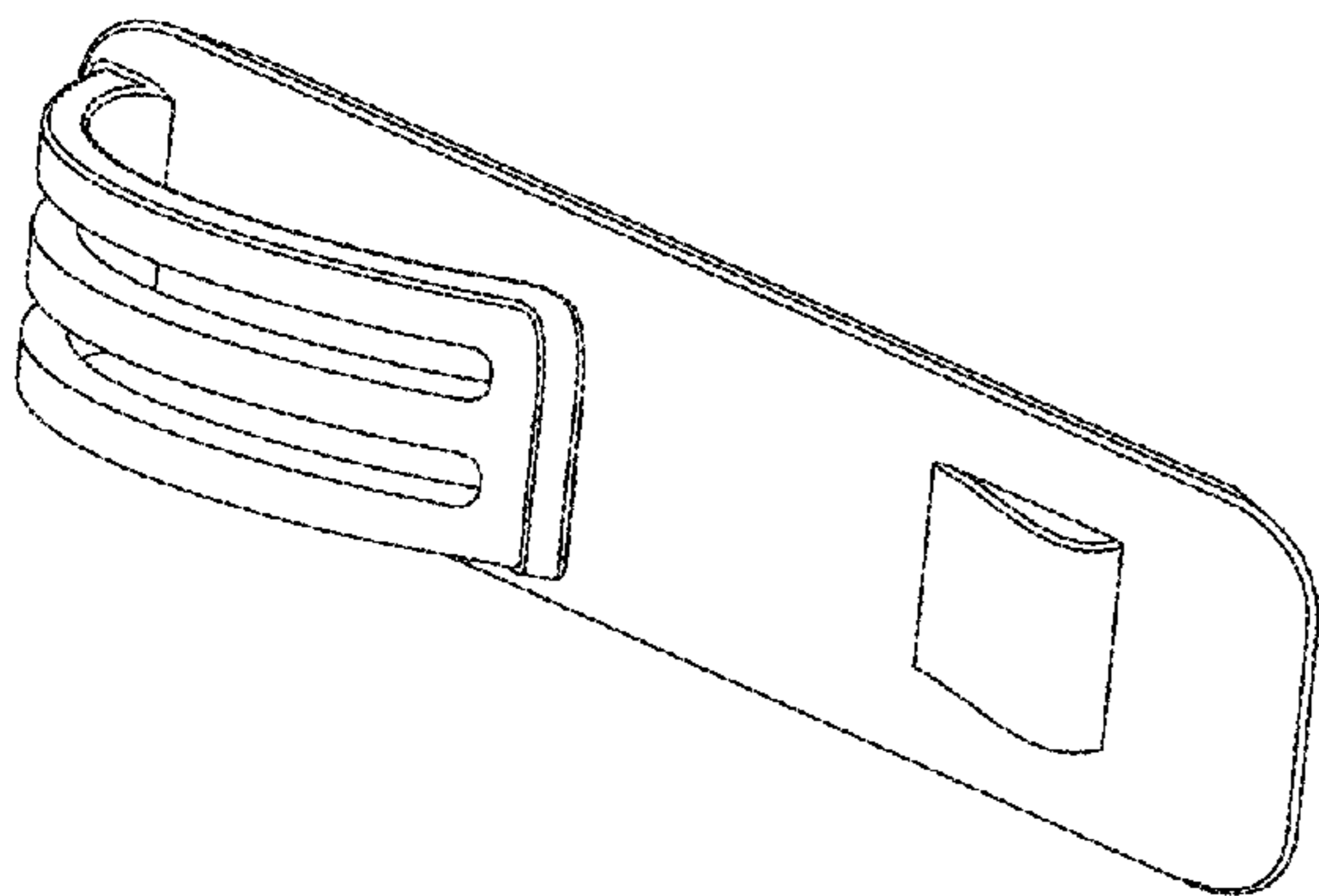
(57) **CLAIM**

The ornamental design for a placard clip assembly, as shown  
and described.

**DESCRIPTION**

FIG. 1 is a bottom perspective view of a placard clip  
assembly,  
FIG. 2 is a top perspective view thereof,  
FIG. 3 is a top plan view thereof,  
FIG. 4 is a bottom plan view thereof,  
FIG. 5 is right side view thereof,  
FIG. 6 is left end view thereof; and,  
FIG. 7 is a right end view thereof.

**1 Claim, 3 Drawing Sheets**



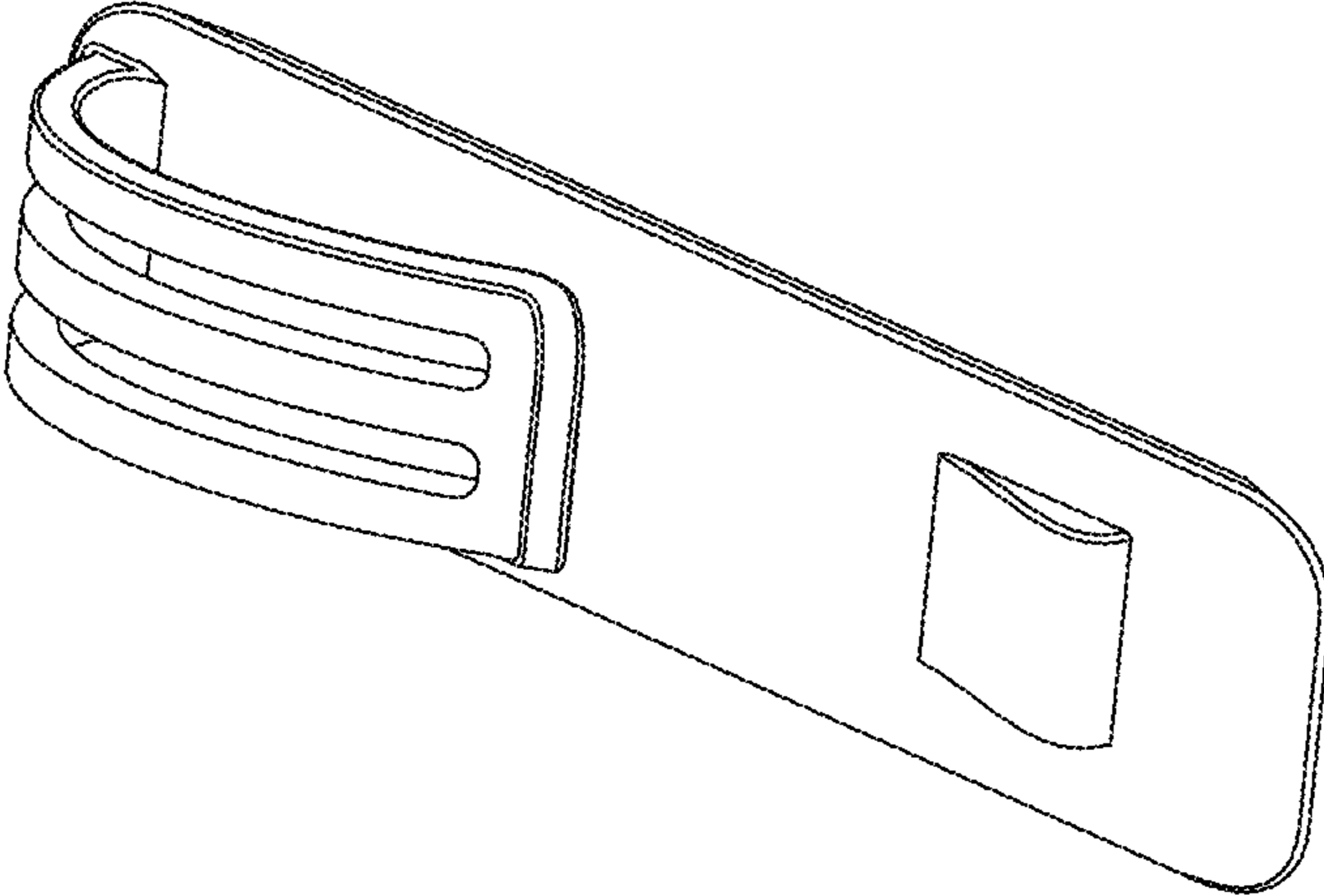


Fig. 1

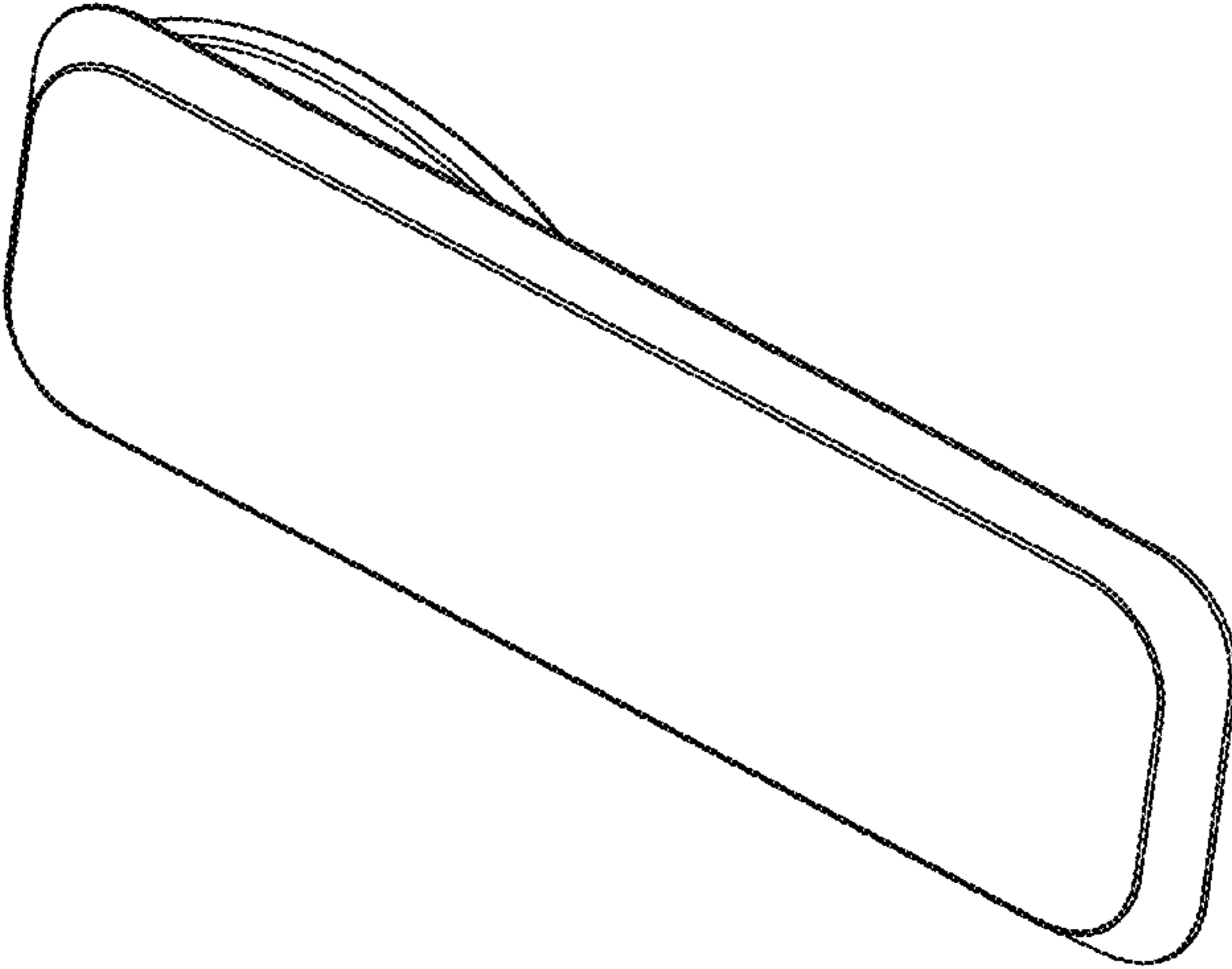


Fig. 2

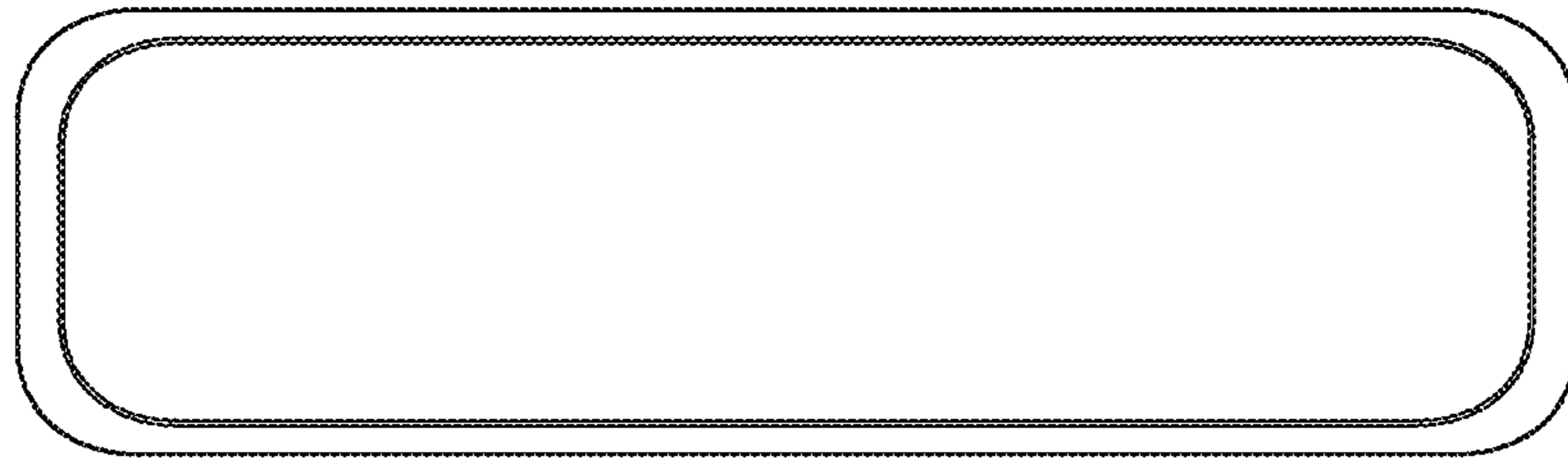


Fig. 3

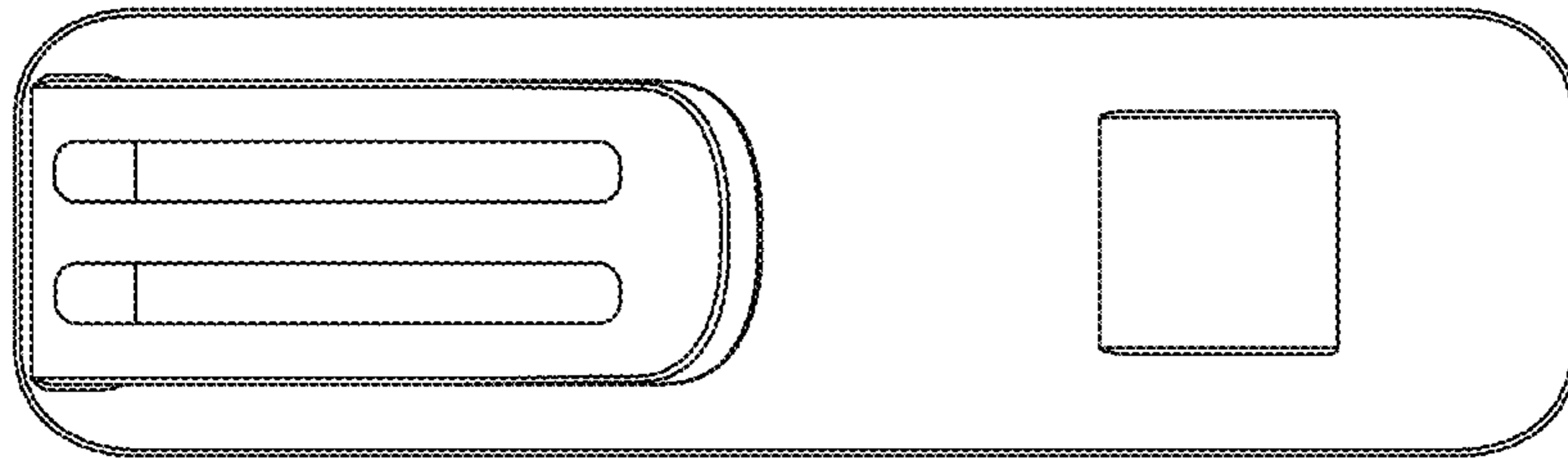


Fig. 4

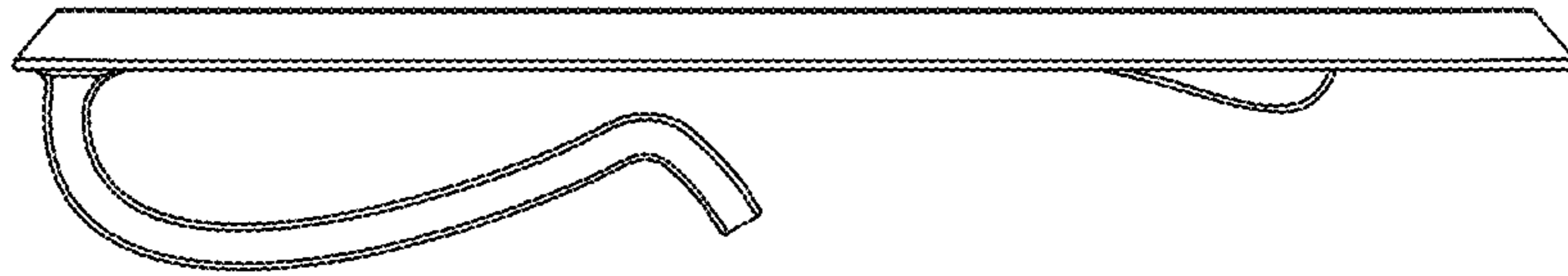


Fig. 5

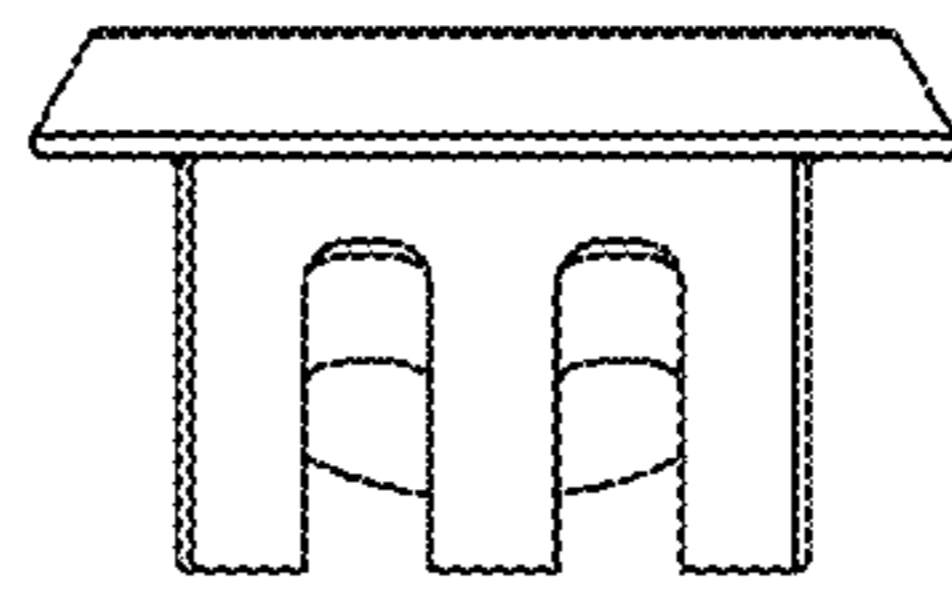


Fig. 6

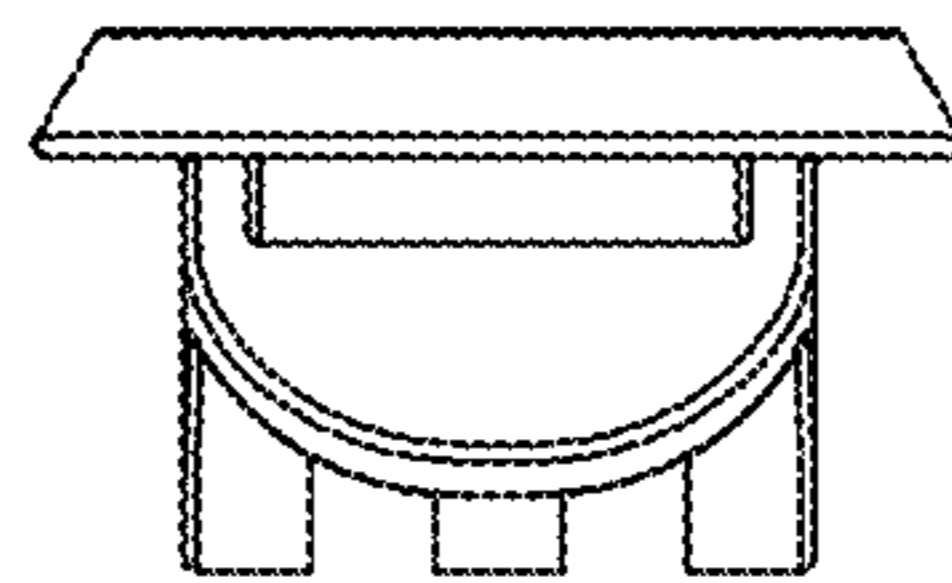


Fig. 7