



US00D818356S

(12) **United States Design Patent** (10) **Patent No.:** **US D818,356 S**
Sears et al. (45) **Date of Patent:** **** May 22, 2018**

(54) **BOLT** 4,294,300 A * 10/1981 Bouwman F16B 39/282
411/185

(71) Applicants: **Aaron Sears**, Itasca, IL (US); **Matt Benoist**, Itasca, IL (US); **Michael Herdman**, Itasca, IL (US) 6,099,190 A * 8/2000 Honobe B60T 8/3685
248/225.11

(72) Inventors: **Aaron Sears**, Itasca, IL (US); **Matt Benoist**, Itasca, IL (US); **Michael Herdman**, Itasca, IL (US) D459,207 S * 6/2002 Miyata D8/397
D482,957 S * 12/2003 Lajeunesse D8/387
D602,349 S * 10/2009 Andersson D8/399
D604,600 S * 11/2009 Lesesky D8/387
D609,999 S * 2/2010 Andersson D8/399
D726,531 S * 4/2015 Muzic D8/387
D760,582 S * 7/2016 Muzic D8/387
D764,267 S * 8/2016 Flutter, III D8/387
D800,544 S * 10/2017 Schuit D8/397

(73) Assignee: **SHAMROCK INTERNATIONAL FASTENER LLC**, Itasca, IL (US) 9,835,193 B2 * 12/2017 Pritchard F16B 35/047
2002/0127079 A1 * 9/2002 Kersten F16B 31/02
411/8

(**) Term: **15 Years** 2003/0108403 A1 * 6/2003 Scoyoc F16B 35/041
411/421

(21) Appl. No.: **29/589,793** 2003/0190218 A1 * 10/2003 Andersson F16B 39/282
411/533

(22) Filed: **Jan. 4, 2017**

(51) **LOC (11) Cl.** **08-08**

(52) **U.S. Cl.**
USPC **D8/387**

(58) **Field of Classification Search**
USPC D8/349, 382, 385, 387, 388, 391, 393,
D8/397, 399
CPC .. F16B 23/00; F16B 23/0007; F16B 23/0069;
F16B 35/04; F16B 35/06; F16B 35/044;
F16B 35/047; F16B 37/00; F16B 37/08;
F16B 39/282; B23G 1/00; B21D 53/24;
B21K 1/64

See application file for complete search history.

(56) **References Cited**

U.S. PATENT DOCUMENTS

3,275,055 A * 9/1966 Gutshall F16B 39/24
411/134

4,094,352 A * 6/1978 Hlinsky F16B 39/282
411/185

4,220,188 A * 9/1980 McMurray F16B 39/282
411/188

4,290,469 A * 9/1981 Nakae F16B 39/282
411/185

(Continued)

Primary Examiner — Sandra S Snapp
Assistant Examiner — Ieisha N Price
(74) *Attorney, Agent, or Firm* — Justin Lampel

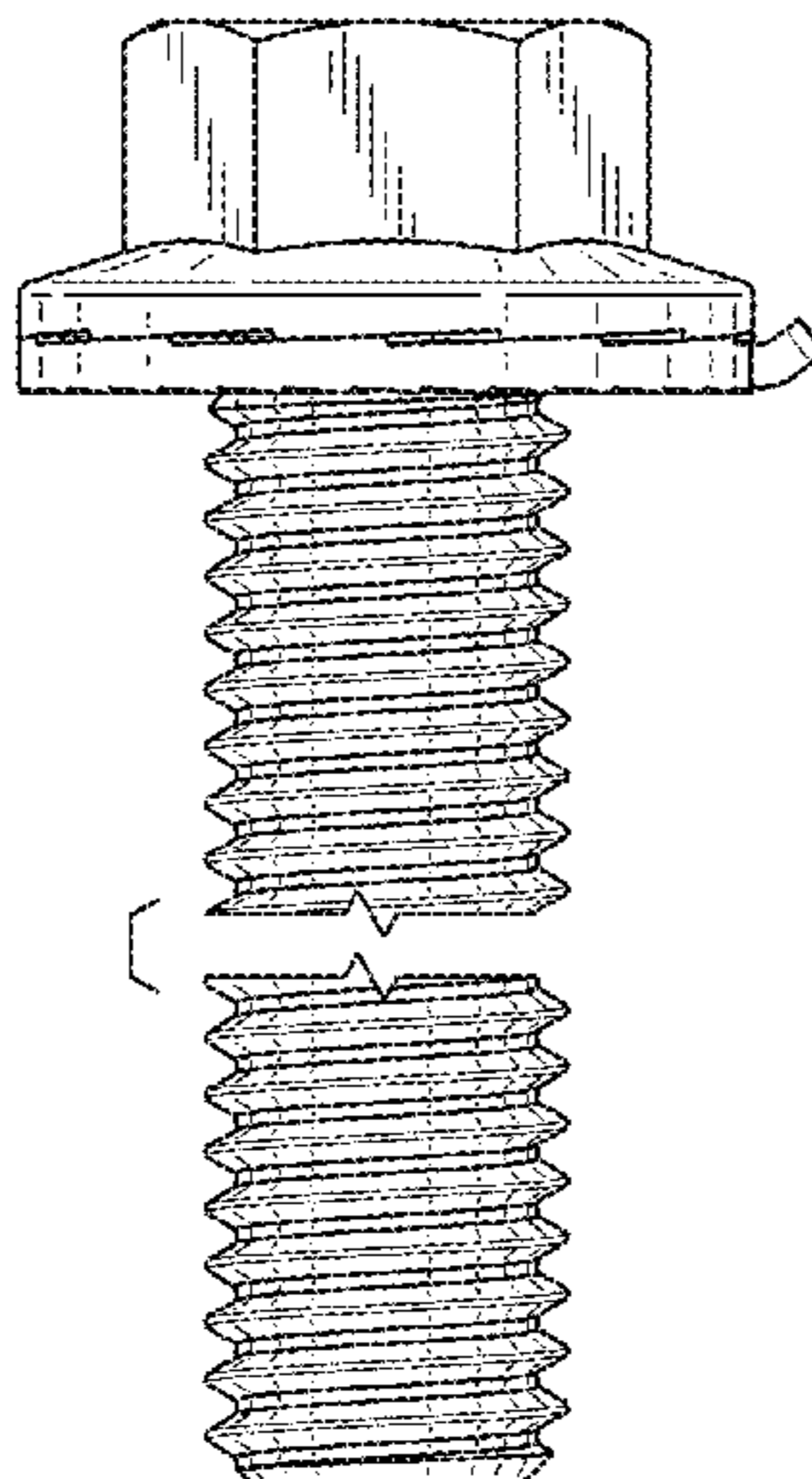
(57) **CLAIM**

The ornamental design for a bolt, as shown and described.

DESCRIPTION

FIG. 1 is a perspective view of the bolt;
FIG. 2 is a side view of the bolt;
FIG. 3 is a side view of the bolt;
FIG. 4 is a side view of the bolt;
FIG. 5 is a side view of the bolt;
FIG. 6 is a top view of the bolt; and,
FIG. 7 is a bottom view of the bolt.
The bolt is shown with a symbolic break in its length. The appearance of any portion of the article between the break lines forms no part of the claimed design.

1 Claim, 3 Drawing Sheets



(56)

References Cited

U.S. PATENT DOCUMENTS

2007/0128003 A1* 6/2007 Shiu F16B 39/282
411/533
2010/0047037 A1* 2/2010 Ishida F16B 37/00
411/427
2010/0098511 A1* 4/2010 Andersson F16B 39/282
411/149
2013/0170922 A1* 7/2013 Persson B21D 53/22
411/161
2014/0037399 A1* 2/2014 Hyatt F16B 39/282
411/87
2016/0146242 A1* 5/2016 Andersson F16B 39/24
411/149
2016/0282016 A1* 9/2016 Ash F24J 2/46

* cited by examiner

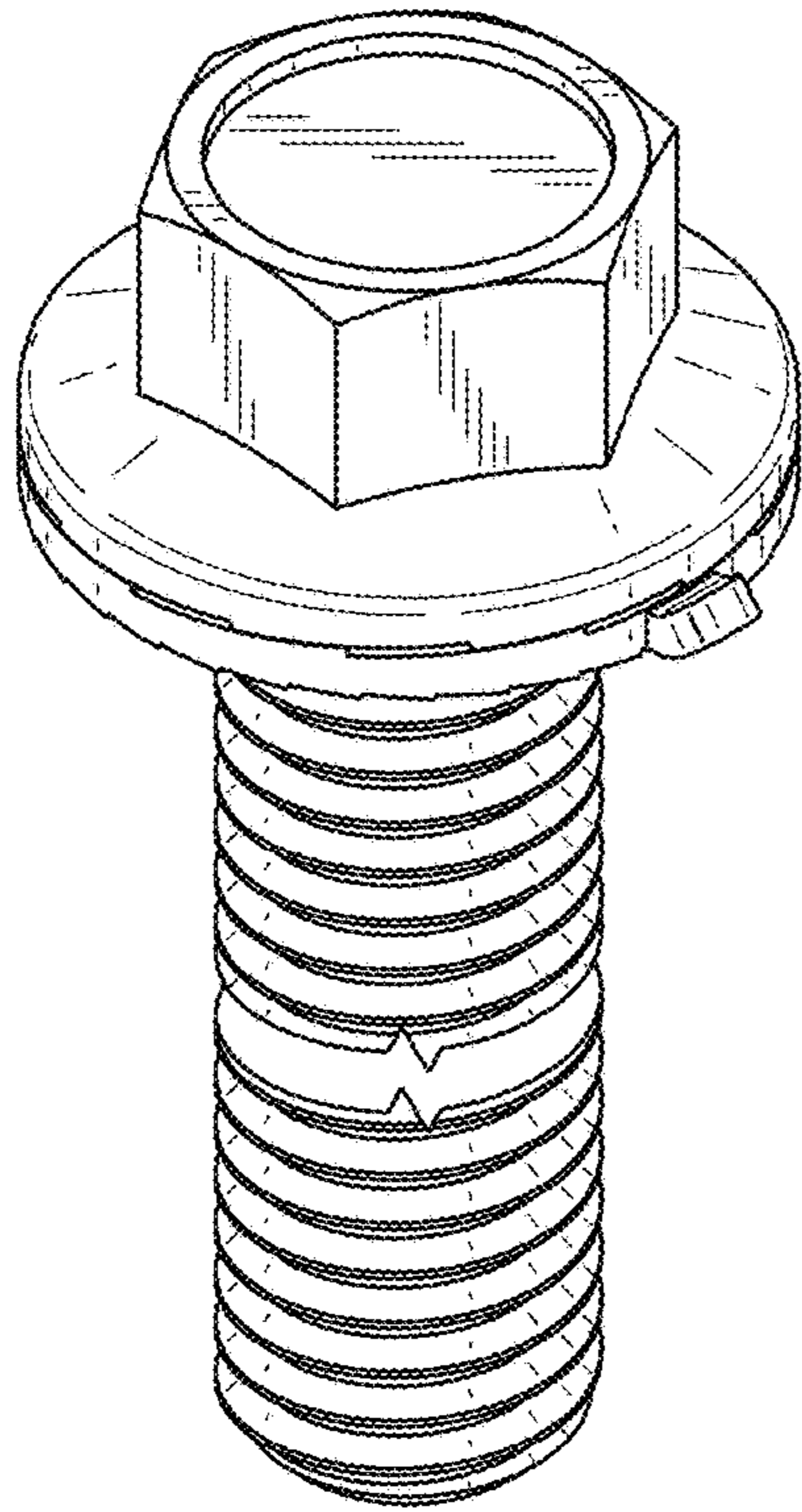


FIG. 1

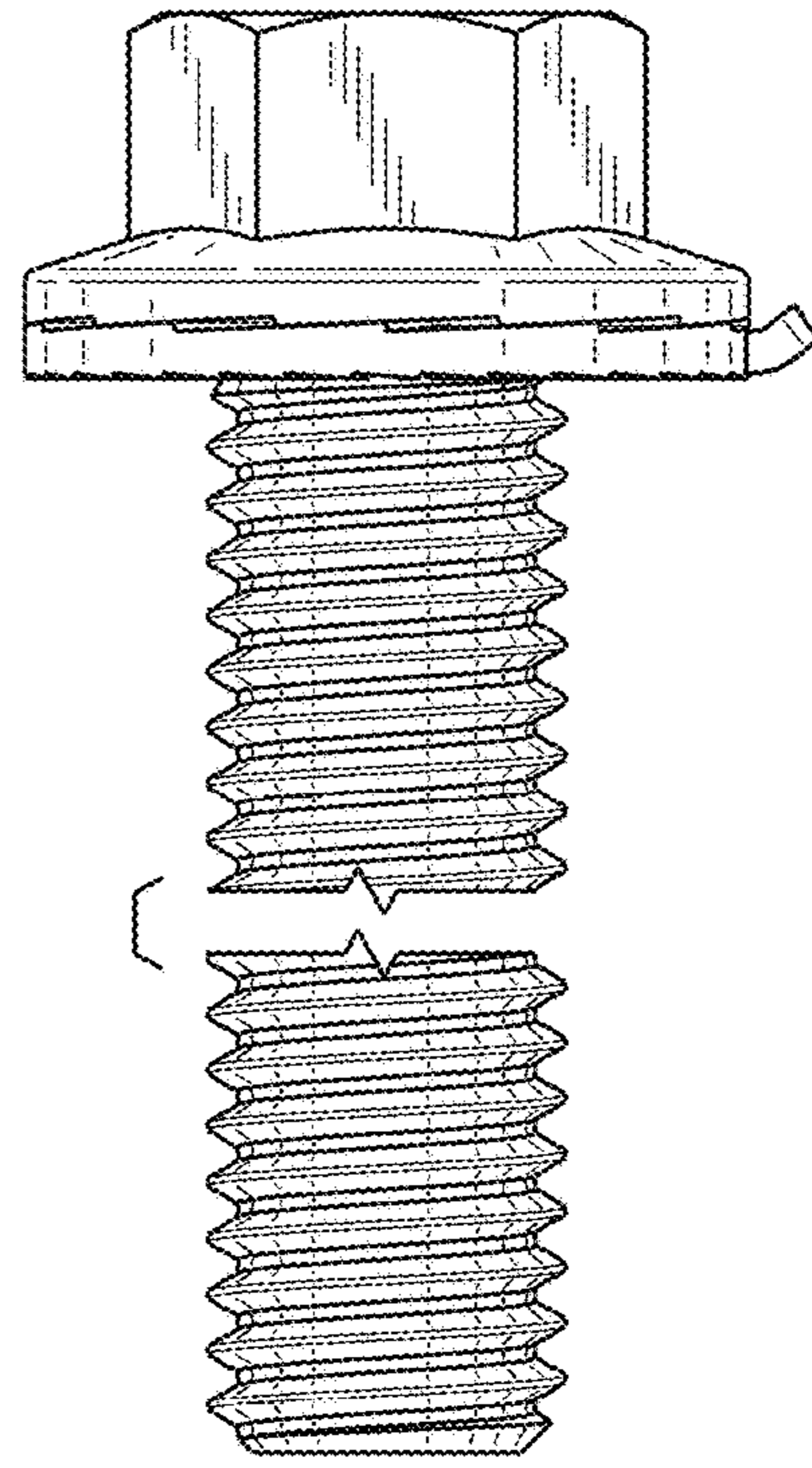


FIG. 2

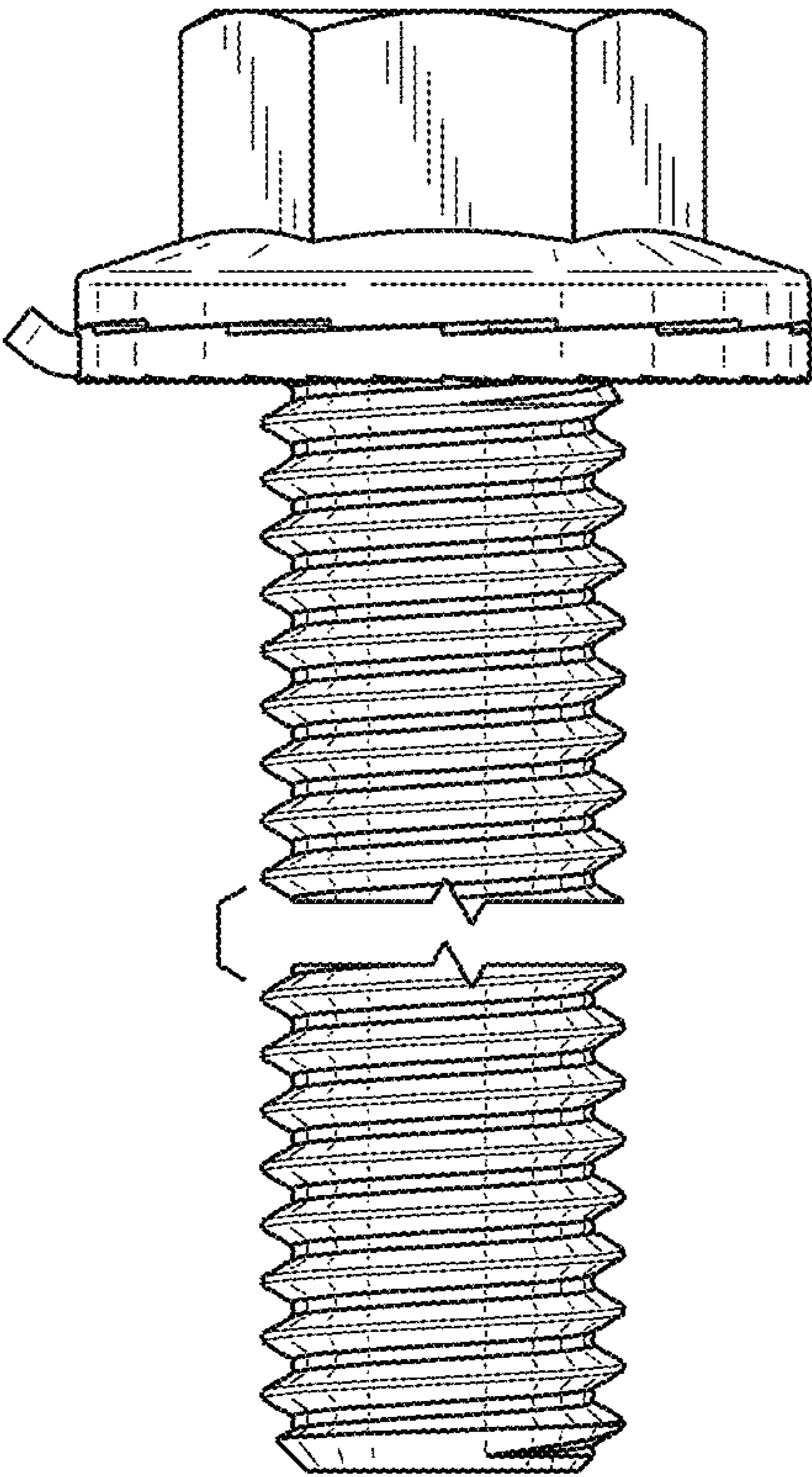


FIG. 3

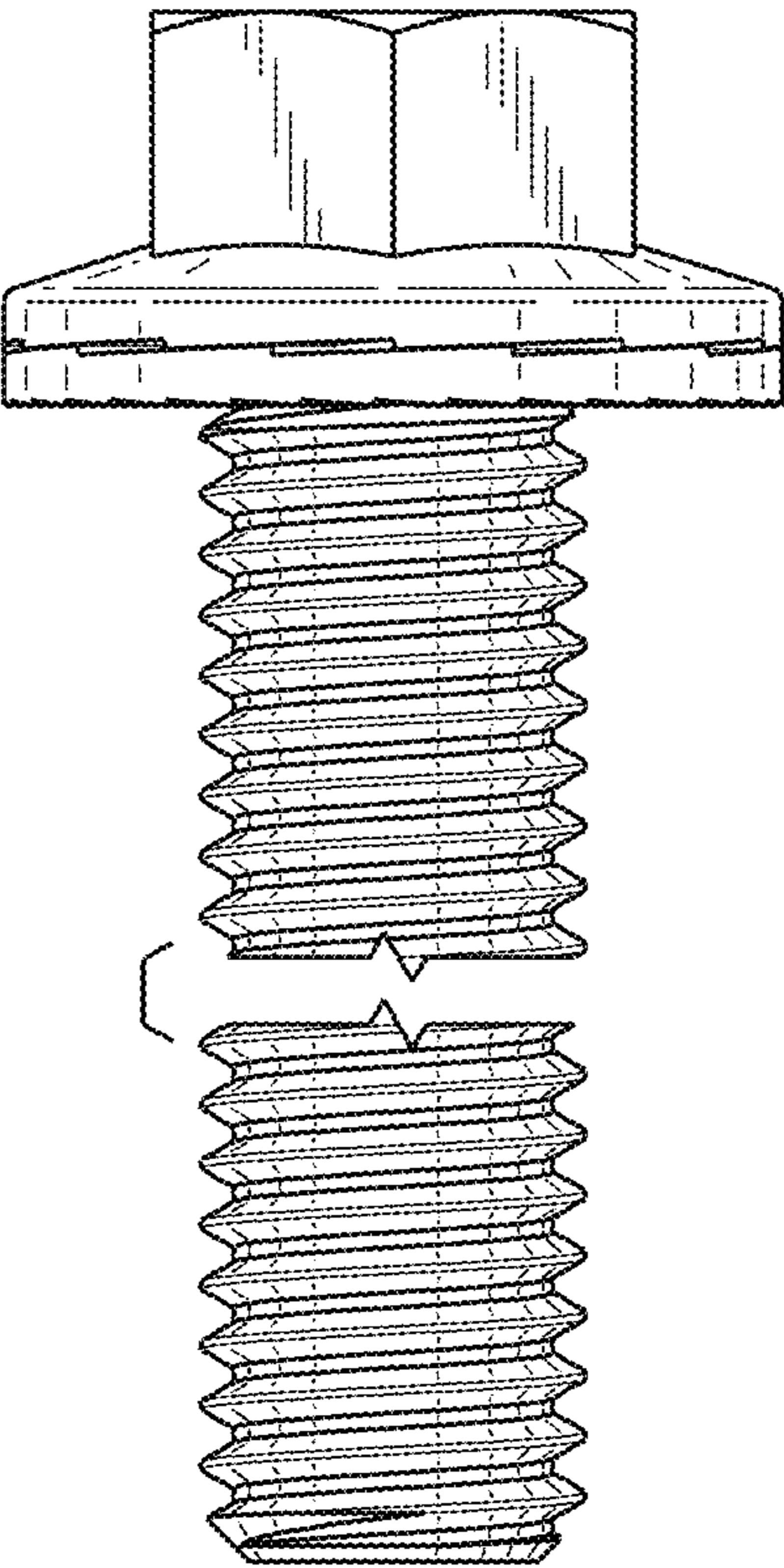


FIG. 4

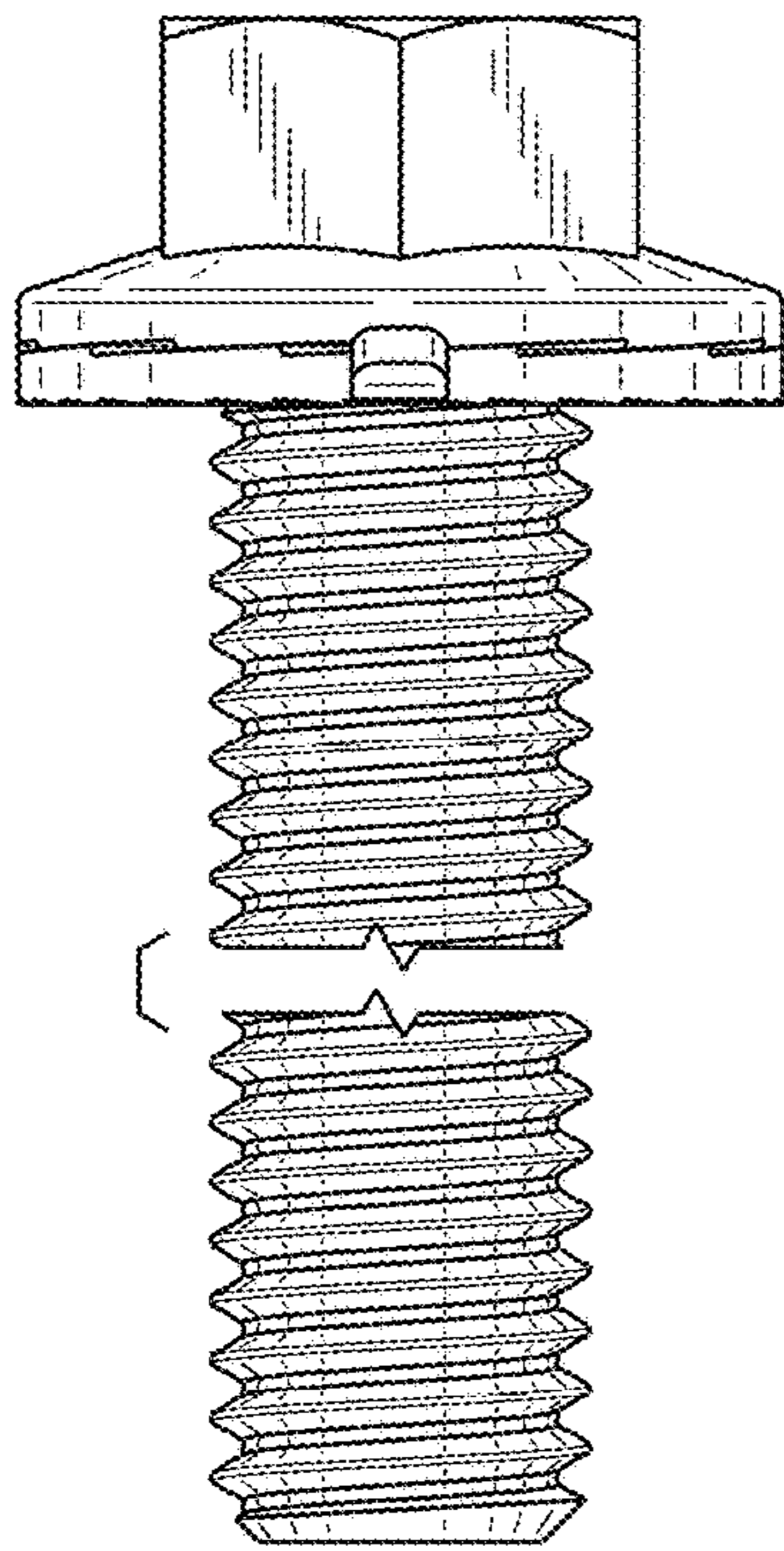


FIG. 5

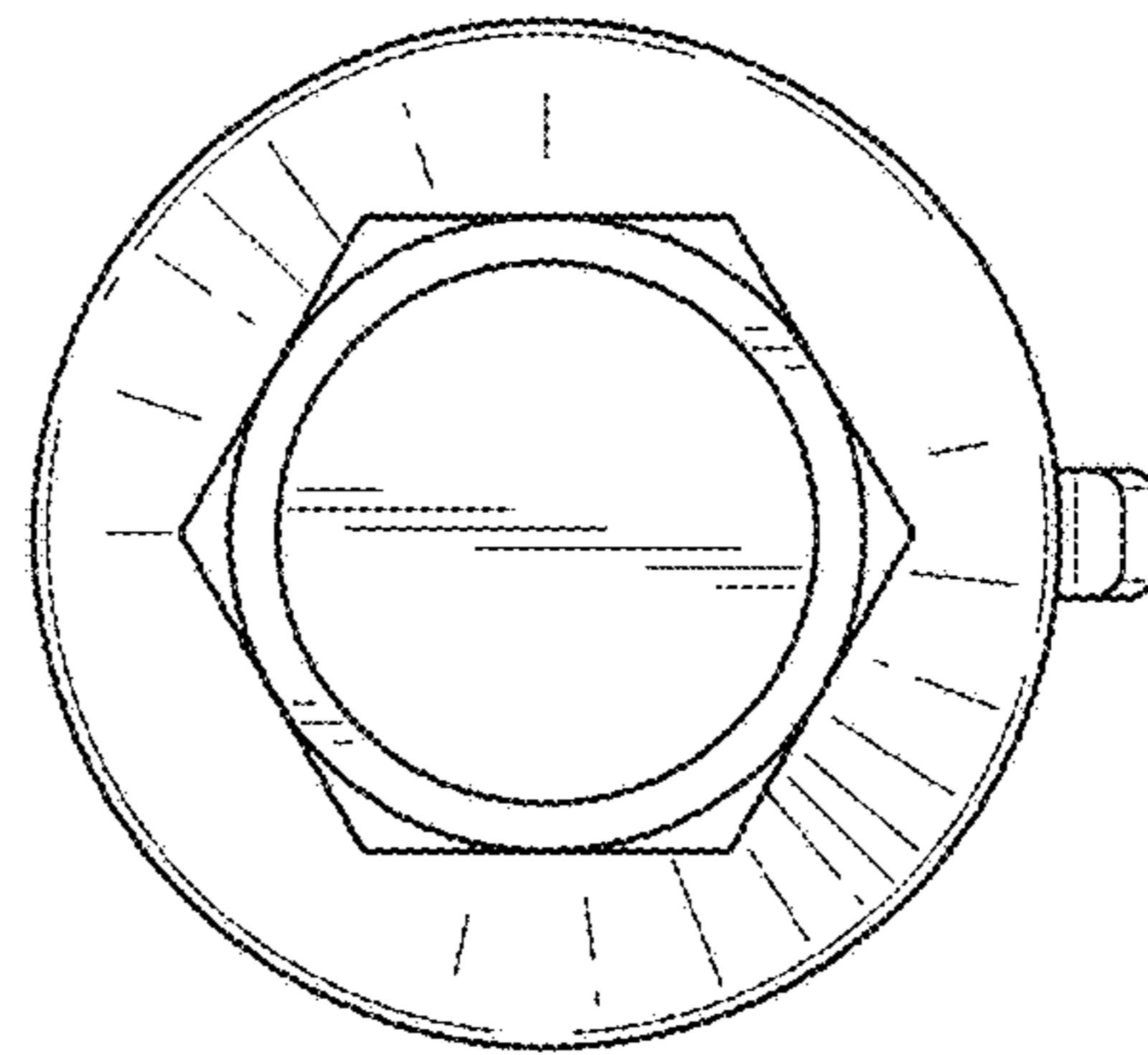


FIG. 6

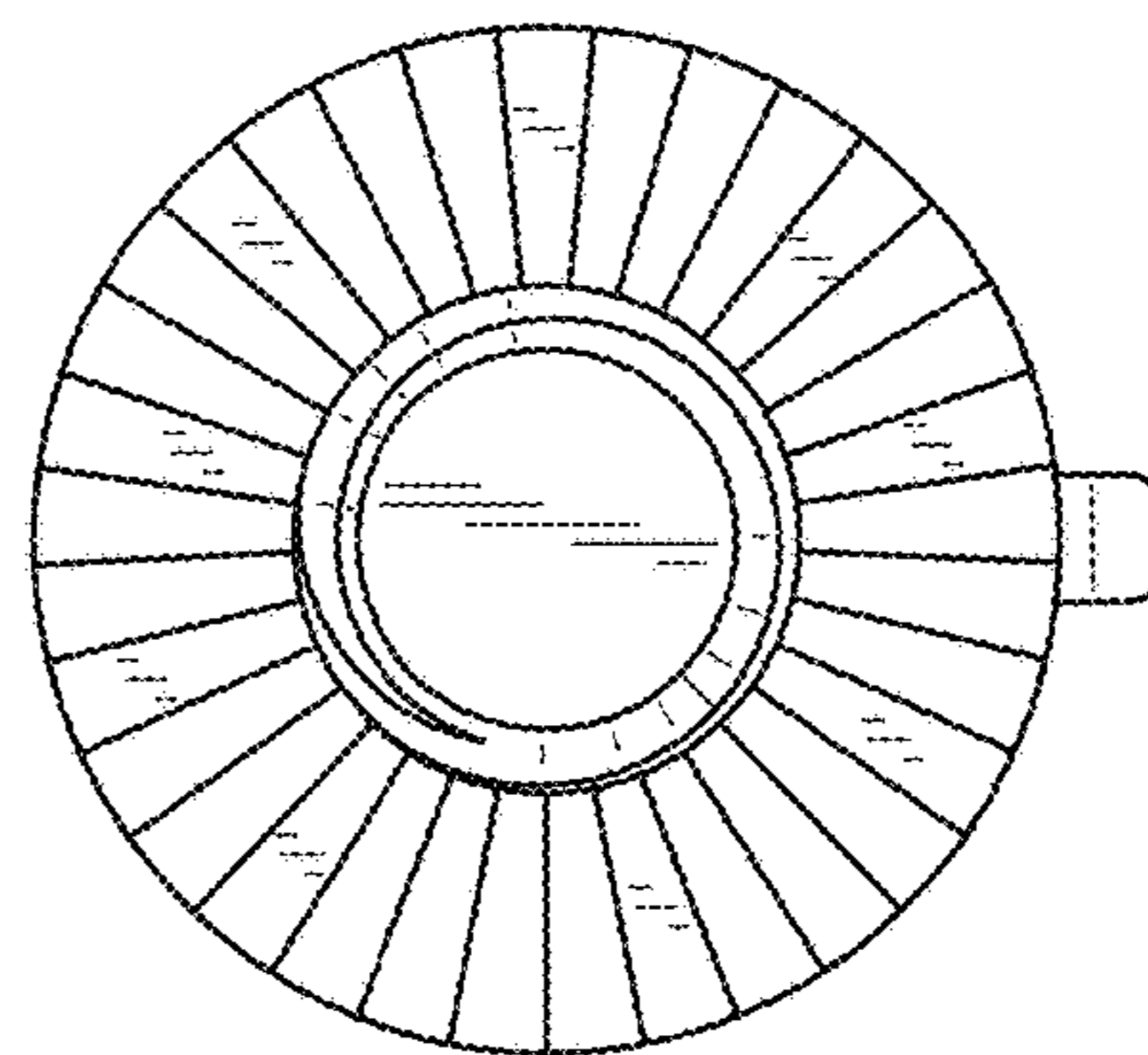


FIG. 7