



US00D818355S

(12) **United States Design Patent**
Sears et al.

(10) **Patent No.:** **US D818,355 S**
(45) **Date of Patent:** **** May 22, 2018**

- (54) **HEAD FOR SCREW OR BOLT**
- (71) Applicants: **Aaron Sears**, Itasca, IL (US); **Matt Benoist**, Itasca, IL (US); **Michael Herdman**, Itasca, IL (US); **David Pawletki**, Itasca, IL (US)
- (72) Inventors: **Aaron Sears**, Itasca, IL (US); **Matt Benoist**, Itasca, IL (US); **Michael Herdman**, Itasca, IL (US); **David Pawletki**, Itasca, IL (US)
- (73) Assignee: **SHAMROCK INTERNATIONAL FASTENER LLC**, Itasca, IL (US)
- (**) Term: **15 Years**
- (21) Appl. No.: **29/588,526**
- (22) Filed: **Dec. 21, 2016**
- (51) **LOC (11) Cl.** **08-08**
- (52) **U.S. Cl.**
USPC **D8/387**
- (58) **Field of Classification Search**
USPC D8/349, 382, 385, 387, 388, 391, 393, D8/397
CPC .. F16B 19/00; F16B 23/0038; F16B 23/0069; F16B 23/0046; F16B 23/0053; F16B 23/00; F16B 23/0007; F16B 35/06; B21K 1/463; Y10S 411/914; Y10S 411/916
See application file for complete search history.

- (56) **References Cited**
U.S. PATENT DOCUMENTS
5,137,407 A * 8/1992 Yamamoto F16B 23/003 411/404
5,171,117 A * 12/1992 Seidl B25B 15/005 411/404
5,207,132 A * 5/1993 Goss B25B 13/065 411/402

- 5,435,680 A * 7/1995 Schuster B25B 13/065 411/403
- 6,394,724 B1 * 5/2002 Kelly F16B 41/002 411/107
- D482,957 S * 12/2003 Lajeunesse D8/387
- 6,685,412 B2 * 2/2004 Altarac B25B 15/005 411/403
- D493,097 S * 7/2004 Shinjo D8/387
- D567,644 S * 4/2008 Liu D8/387
- D581,776 S * 12/2008 Yin-Feng D8/387
- D640,918 S * 7/2011 Totsu D8/387
- 8,347,761 B2 * 1/2013 Goss F16B 23/003 81/120
- 8,753,227 B1 * 6/2014 Cackett A63B 53/06 411/383
- D723,910 S * 3/2015 Totsu D8/387
- 9,854,673 B2 * 12/2017 Yang H05K 1/141

(Continued)

Primary Examiner — Sandra S Snapp
Assistant Examiner — Ieisha N Price
(74) *Attorney, Agent, or Firm* — Justin Lampel

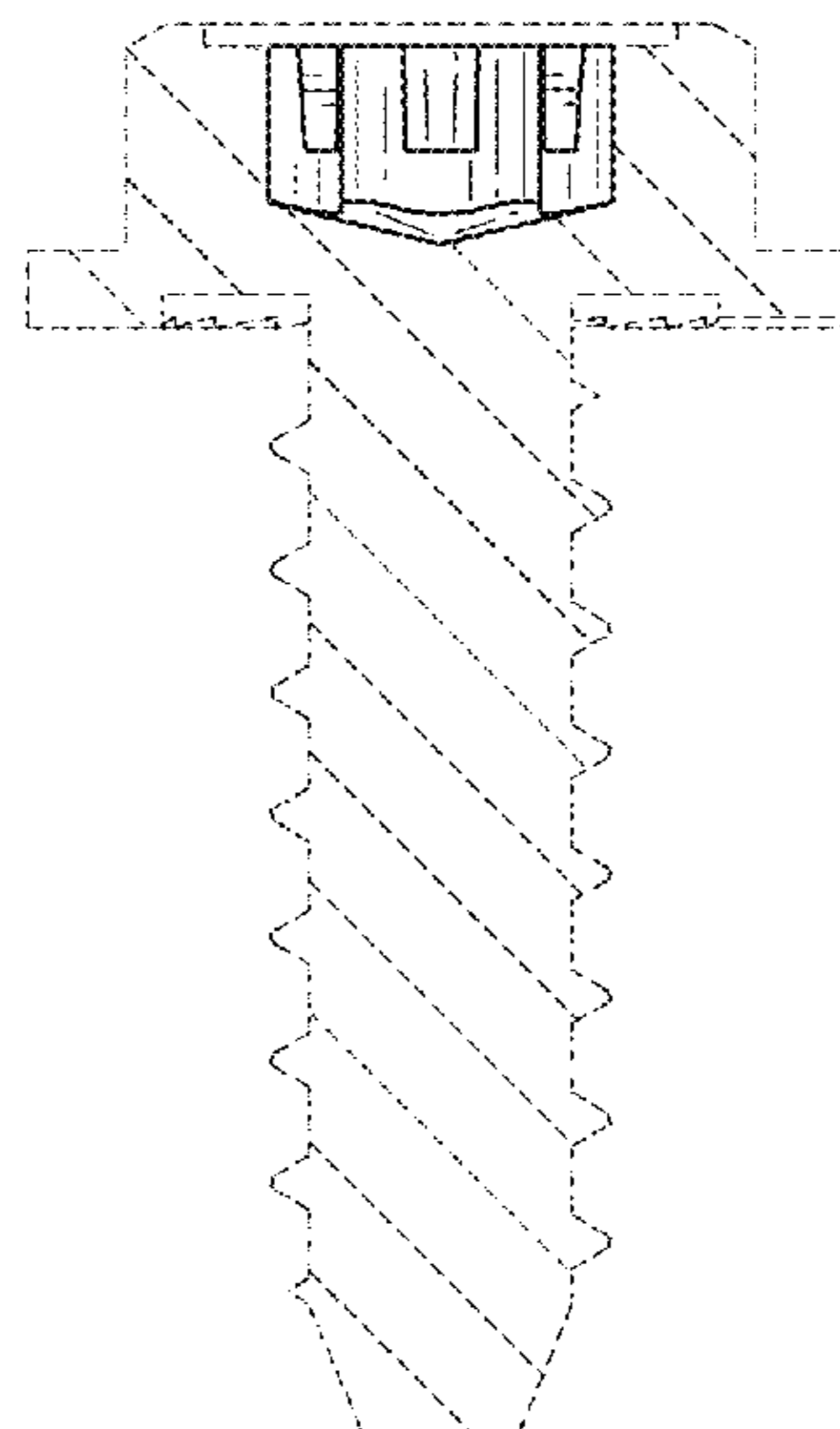
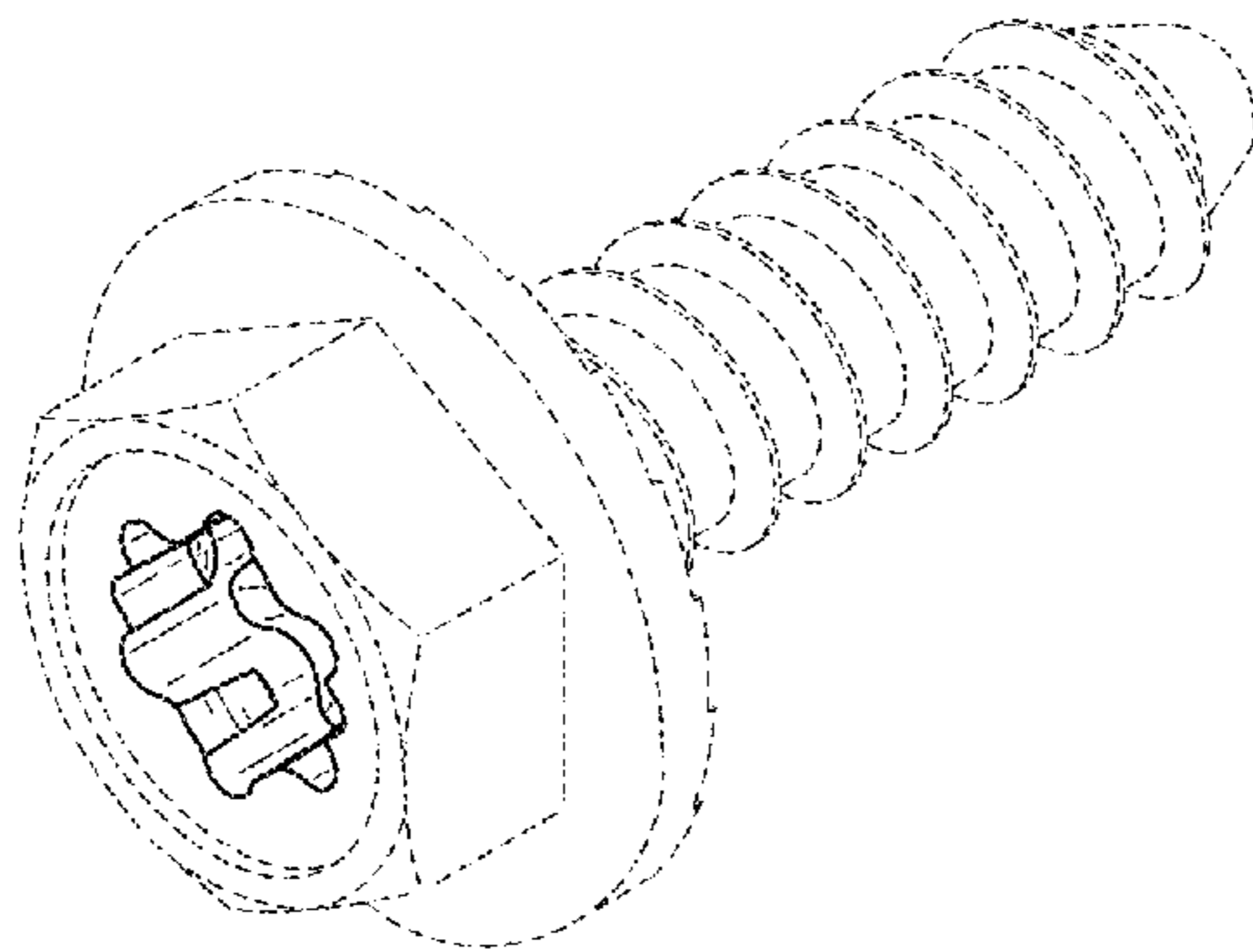
(57) **CLAIM**

The ornamental design for a head for screw or bolt, as shown and described.

DESCRIPTION

FIG. 1 is a perspective view of the head for screw or bolt; FIG. 2 is a front view of the head for screw or bolt; FIG. 3 is a rear view of the head for screw or bolt; FIG. 4 is a left side view of the head for screw or bolt; FIG. 5 is a right side view of the head for screw or bolt; FIG. 6 is a top view of the head for screw or bolt; FIG. 7 is a bottom view of the head for screw or bolt; and, FIG. 8 is a cross sectional view of the head for screw or bolt taken along line 8-8 of FIG. 6. The broken line showing is for illustrative purposes only and forms no part of the claimed design.

1 Claim, 4 Drawing Sheets



(56)

References Cited

U.S. PATENT DOCUMENTS

2006/0266168 A1* 11/2006 Pacheco, Jr. B25B 13/065
81/460
2009/0003967 A1* 1/2009 Luna B21K 1/463
411/404
2012/0165107 A1* 6/2012 Guo B25B 15/005
470/57
2013/0068075 A1* 3/2013 Stiebitz F16B 23/003
81/460
2015/0104271 A1* 4/2015 Ross B21K 1/463
411/406
2016/0016055 A1* 1/2016 DiMarco A63B 53/04
473/335
2016/0305462 A1* 10/2016 Wunderlich F16B 23/003
2017/0095909 A1* 4/2017 Chen B25B 15/005
2017/0363130 A1* 12/2017 Dilling B23G 1/02
2018/0003241 A1* 1/2018 Goss F16D 1/101

* cited by examiner

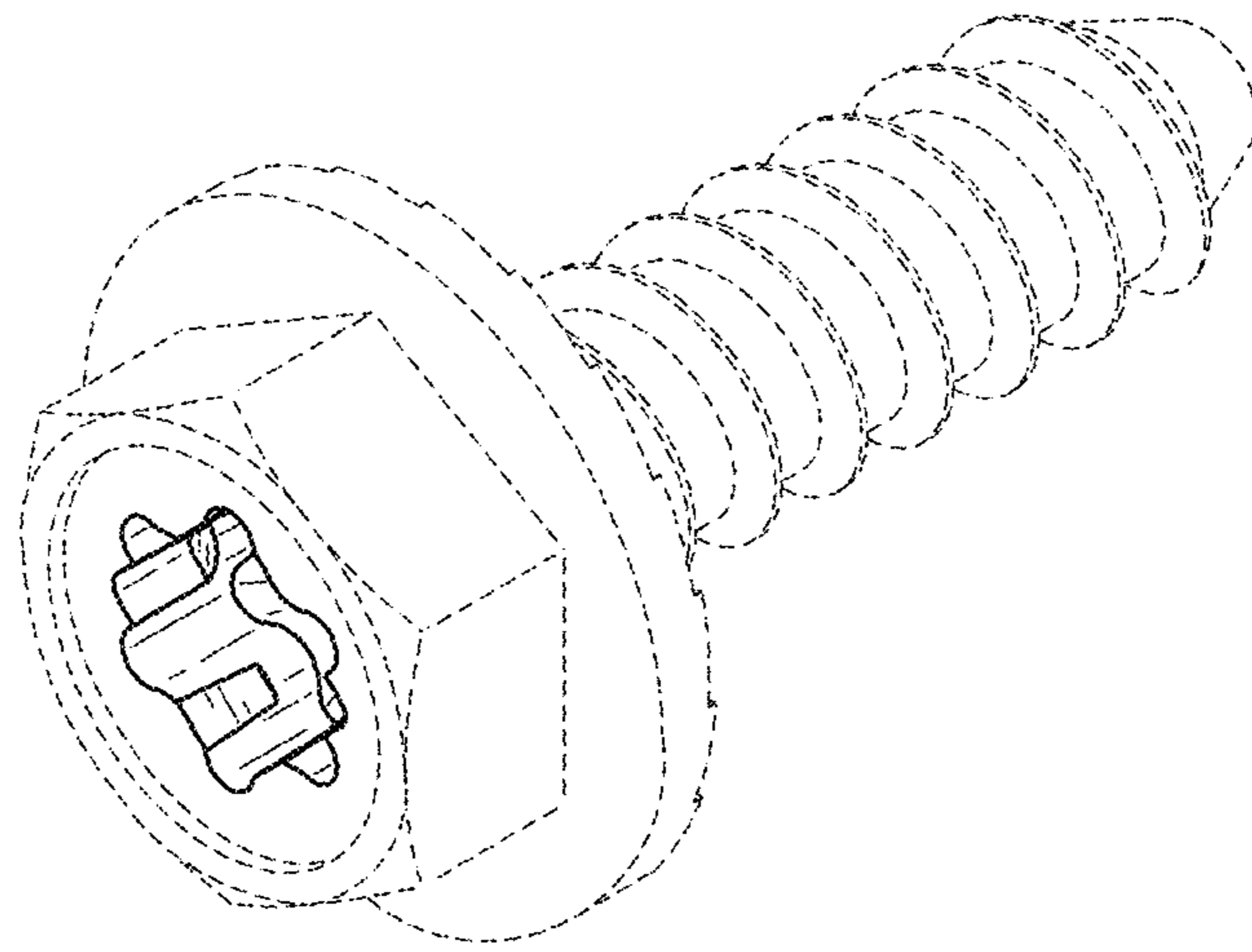


FIG. 1

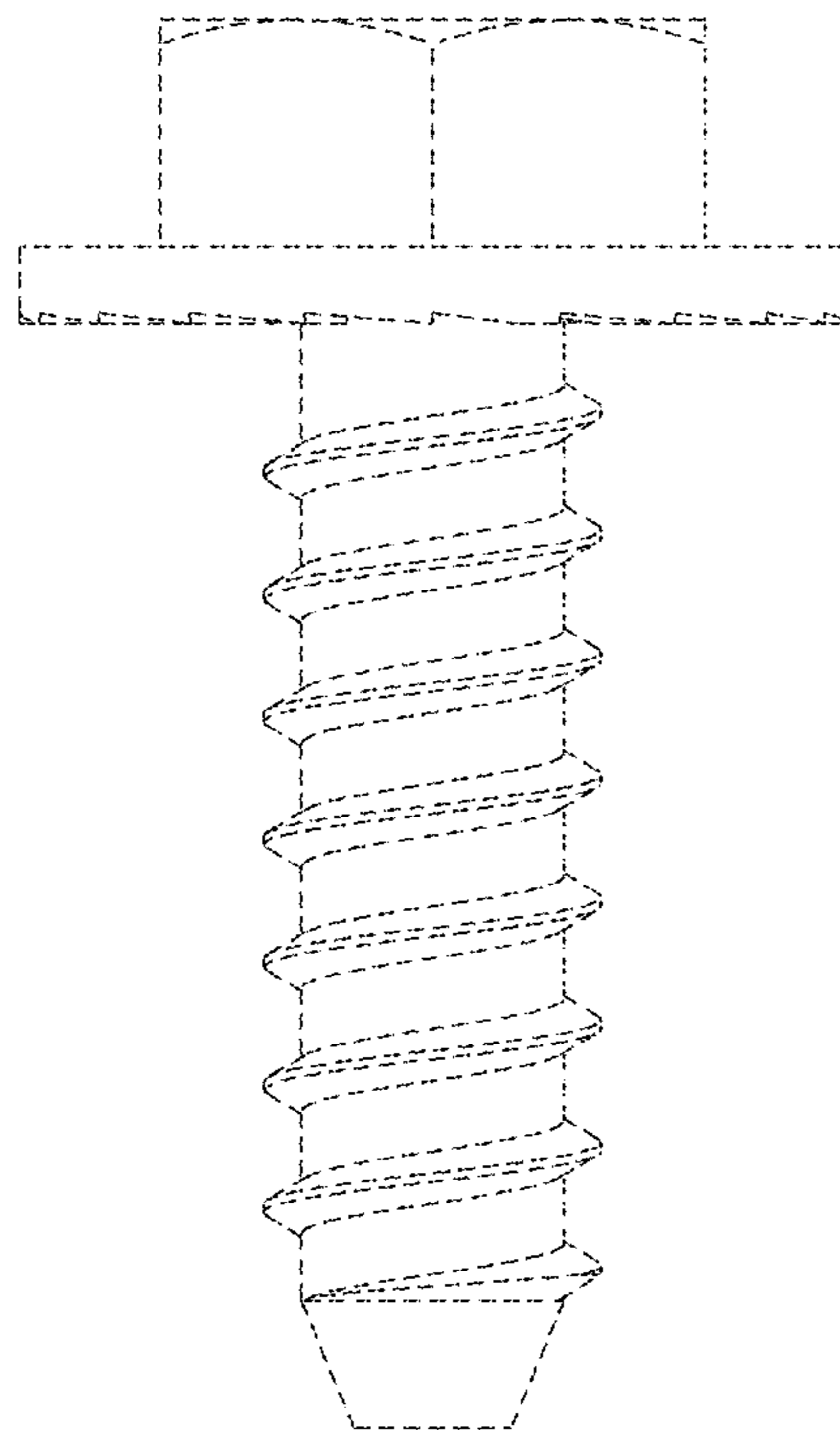


FIG. 2

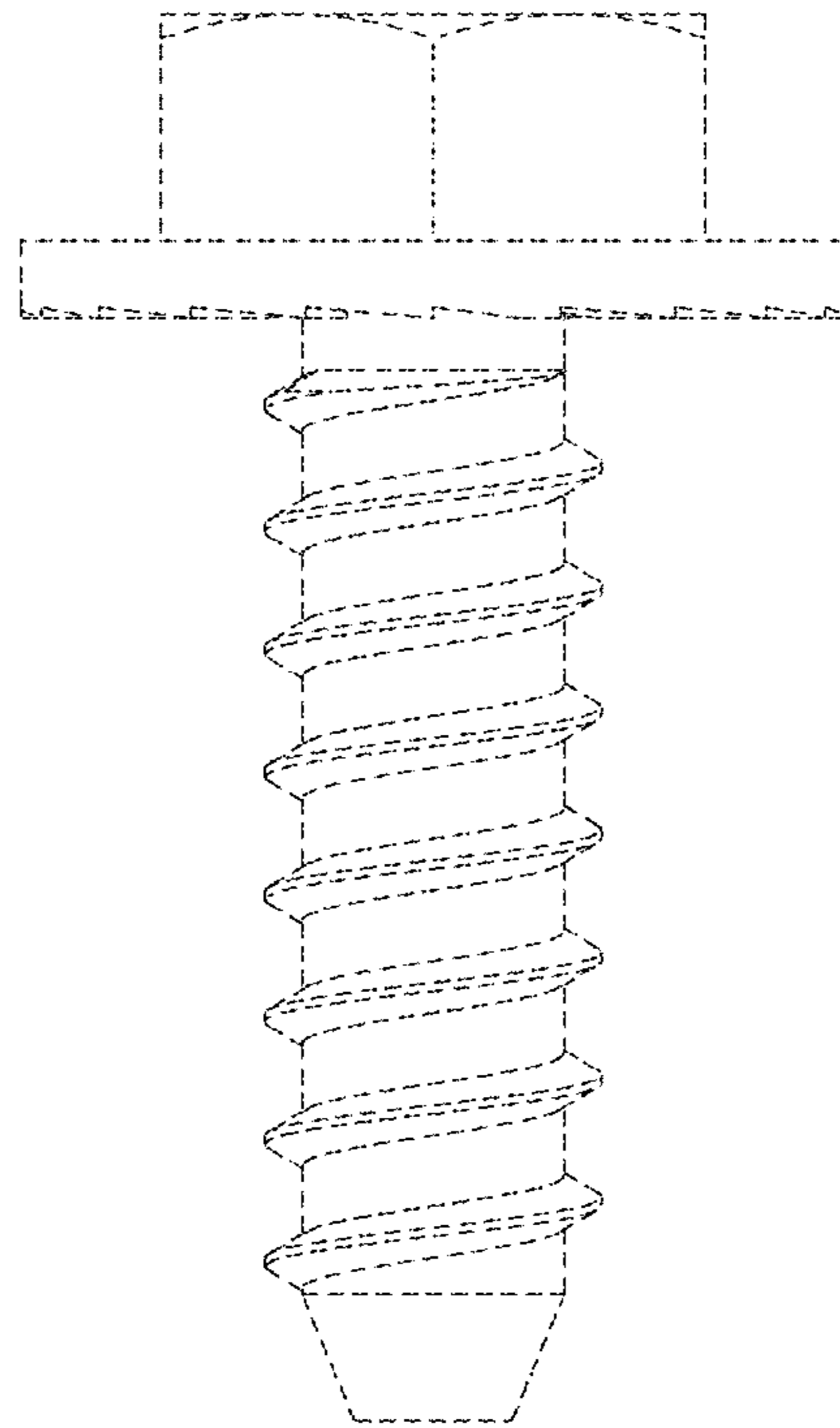


FIG. 3

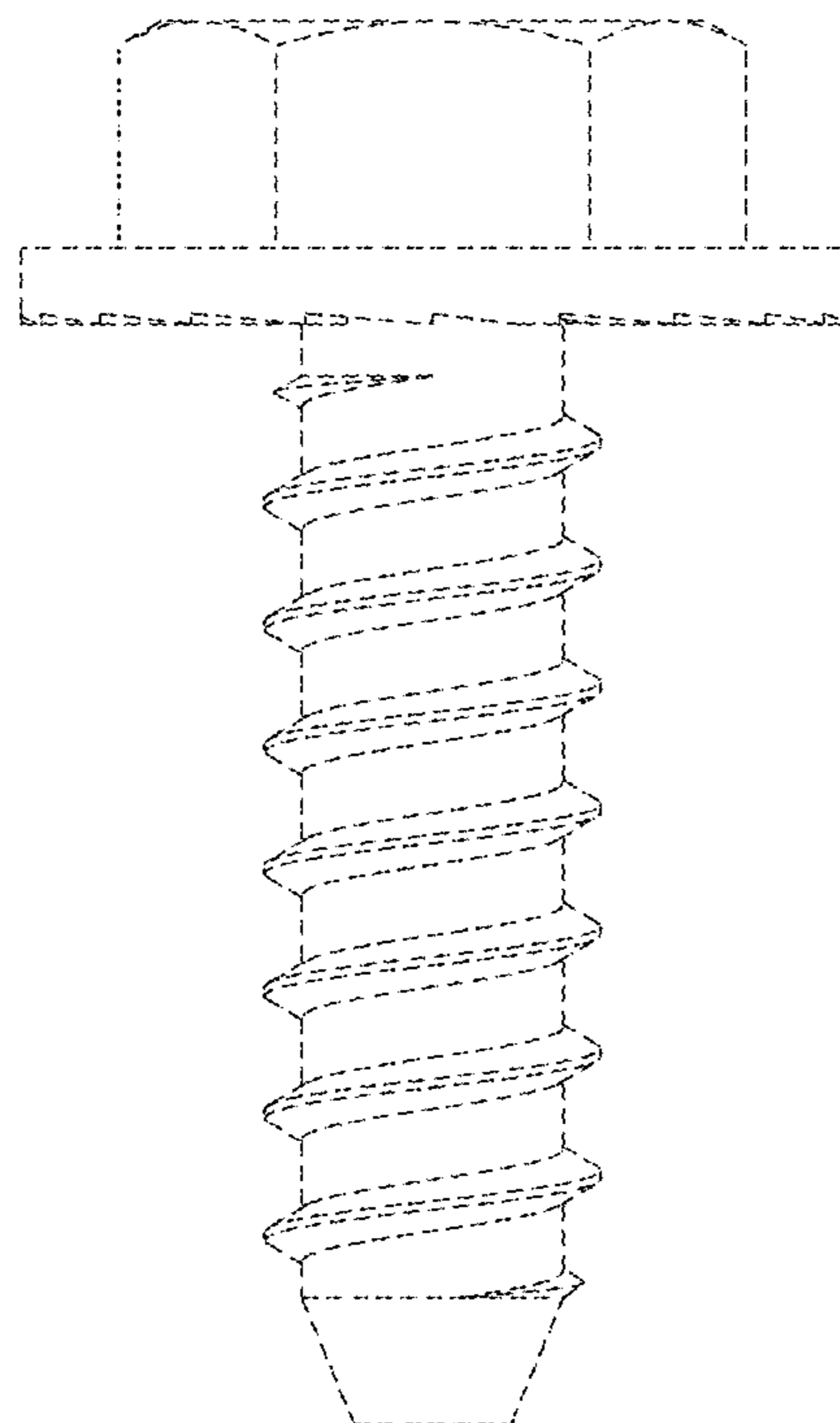


FIG. 4

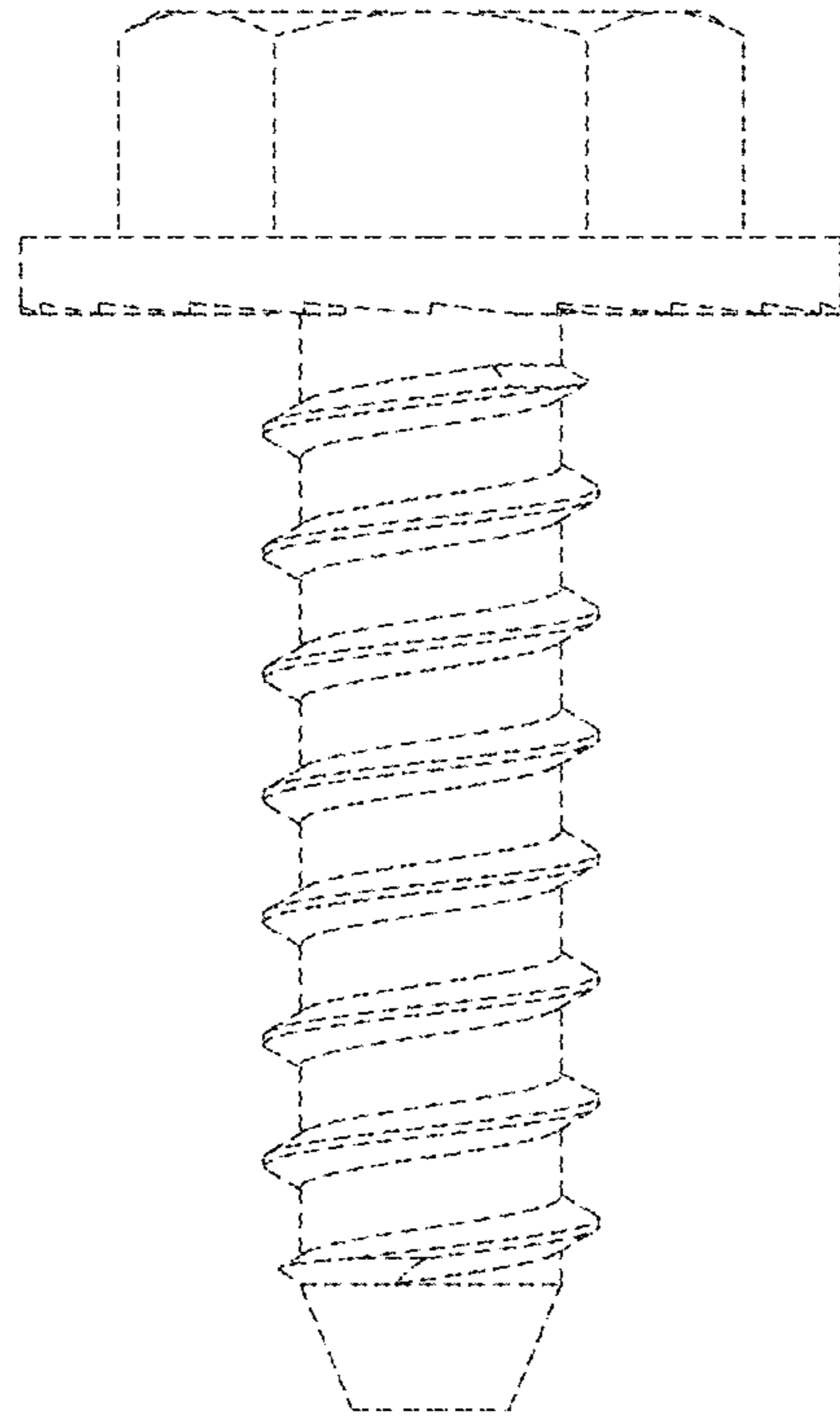


FIG. 5

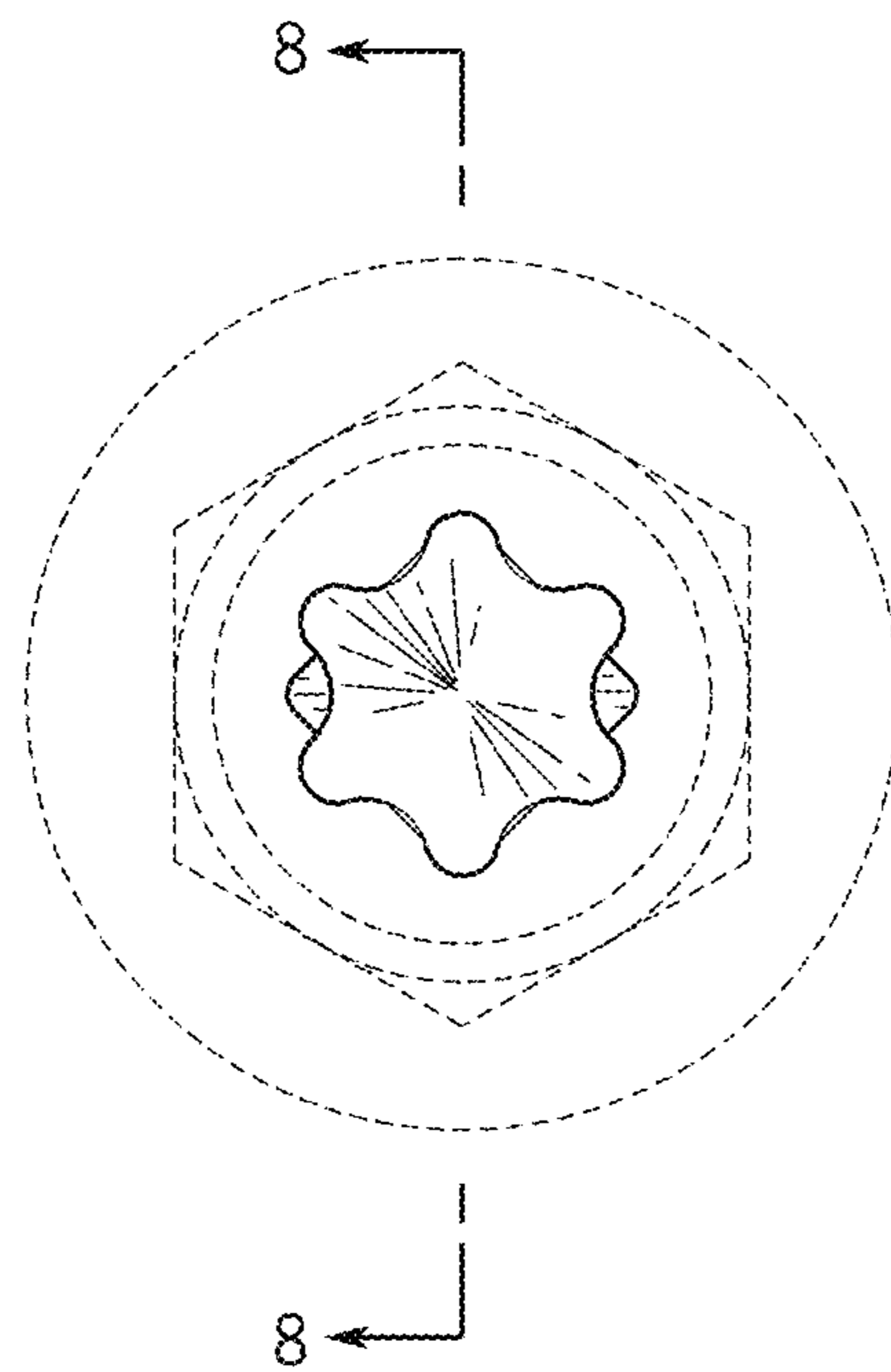


FIG. 6

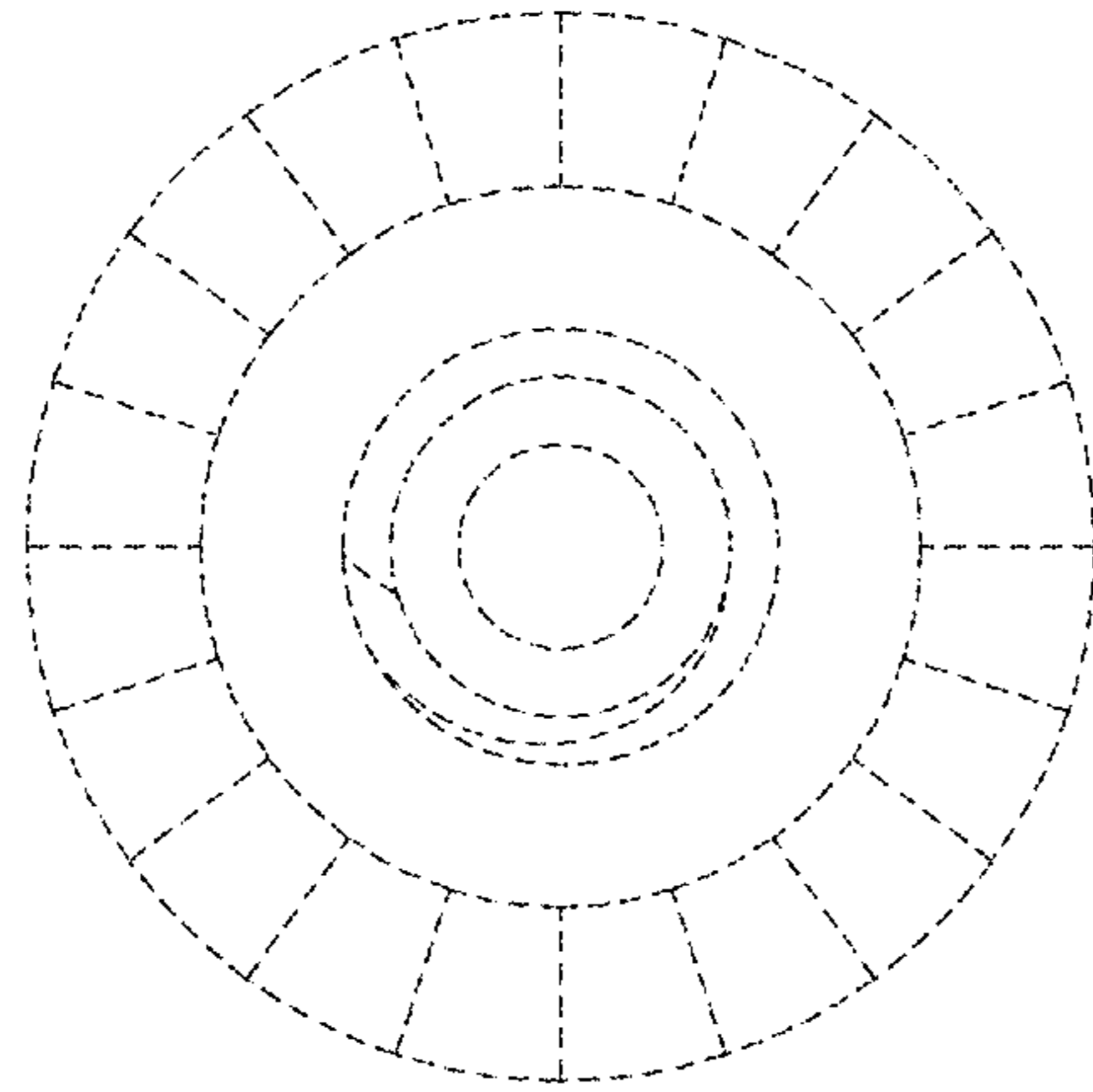


FIG. 7

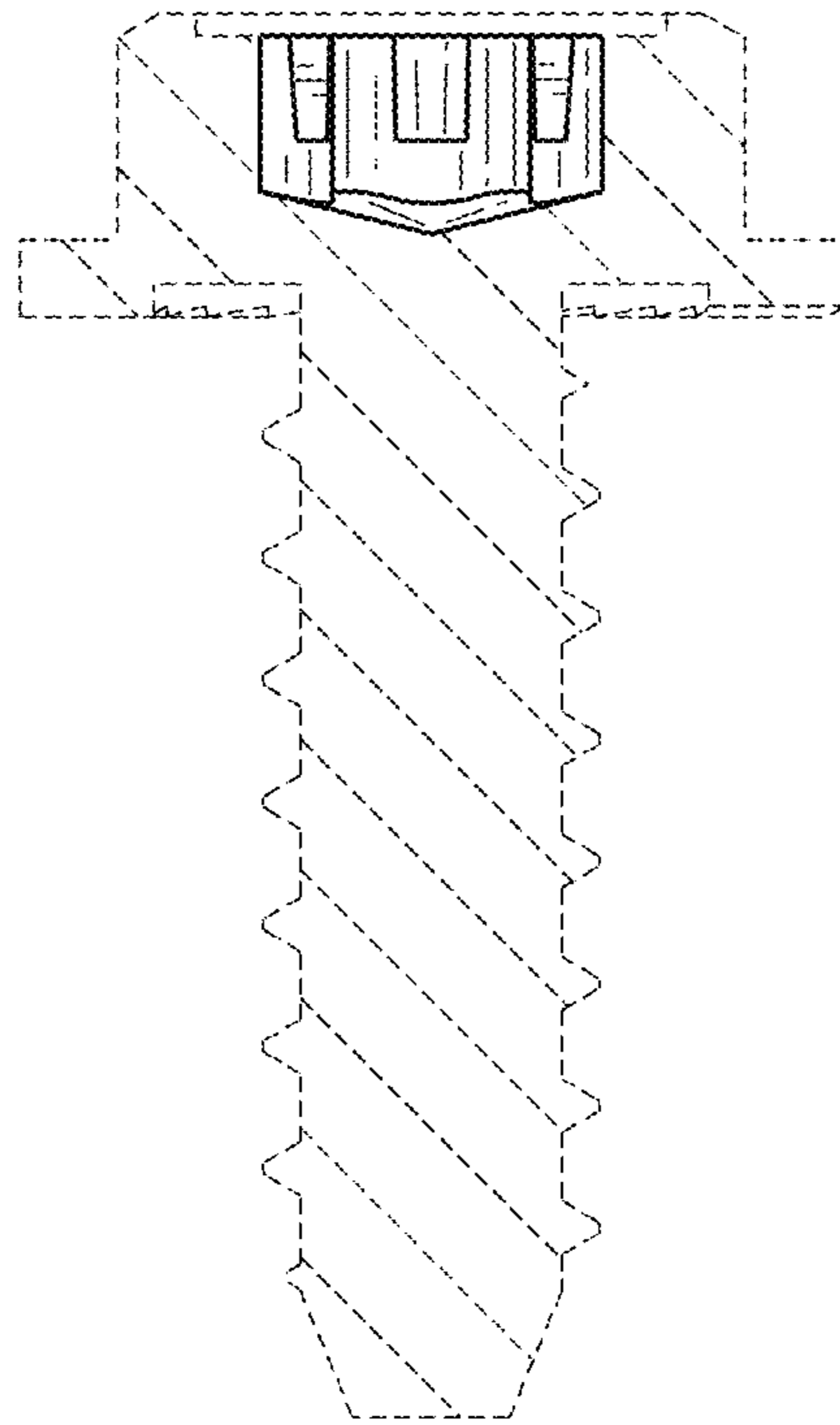


FIG. 8