



US00D818354S

(12) **United States Design Patent**
Desrochers

(10) **Patent No.:** **US D818,354 S**

(45) **Date of Patent:** **** May 22, 2018**

(54) **CONNECTING PIN**
(71) Applicant: **GEA FARM TECHNOLOGIES CANADA INC./DIVISION GEA HOULE**, Drummondville, CA (US)
(72) Inventor: **Yann Desrochers**, Drummondville (CA)
(73) Assignee: **GEA FARM TECHNOLOGIES CANADA INC./DIVISION GEA HOULE**, Drummondville, Quebec (CA)
(**) Term: **15 Years**

D238,232 S * 12/1975 McClain D6/709
5,119,649 A * 6/1992 Spence B63B 35/7946
114/172
5,549,034 A * 8/1996 Loughlin F16J 1/18
74/579 E
6,386,789 B1 * 5/2002 Chausse F16B 21/165
403/322.2
D484,773 S * 1/2004 Wyers D8/330
D576,477 S * 9/2008 Levy D23/262
D582,702 S * 12/2008 Myers D6/709
8,870,604 B2 * 10/2014 Chang H01R 13/7033
439/669
D766,708 S * 9/2016 Summers F16B 5/00
D8/382
9,815,181 B2 * 11/2017 Yang B25B 15/06
D807,158 S * 1/2018 Wu D8/382

(21) Appl. No.: **29/598,739**

* cited by examiner

(22) Filed: **Mar. 28, 2017**

Primary Examiner — Prabhakar G Deshmukh

(30) **Foreign Application Priority Data**

(74) *Attorney, Agent, or Firm* — Merchant & Gould P.C.

Sep. 28, 2016 (CA) 170766

(51) **LOC (11) Cl.** **08-08**

(52) **U.S. Cl.**
USPC **D8/382; D8/343**

(58) **Field of Classification Search**
USPC D8/51, 330, 339, 343, 349, 354, 382,
D8/385, 387, 388, 391, 393, 499;
70/183, 229, 318, 431, 466; 292/2.32,
292/137, 292, 342
CPC F16B 13/00; F16B 13/141; F16B 13/0816;
F16B 12/00; F16B 12/10; F16B 12/24;
F16B 19/00; F16B 19/02; Y10T 403/00;
Y10T 403/55
See application file for complete search history.

(56) **References Cited**

U.S. PATENT DOCUMENTS

D161,654 S * 1/1951 Scovill D8/327
3,704,912 A * 12/1972 Bezark A47C 4/02
297/411.41

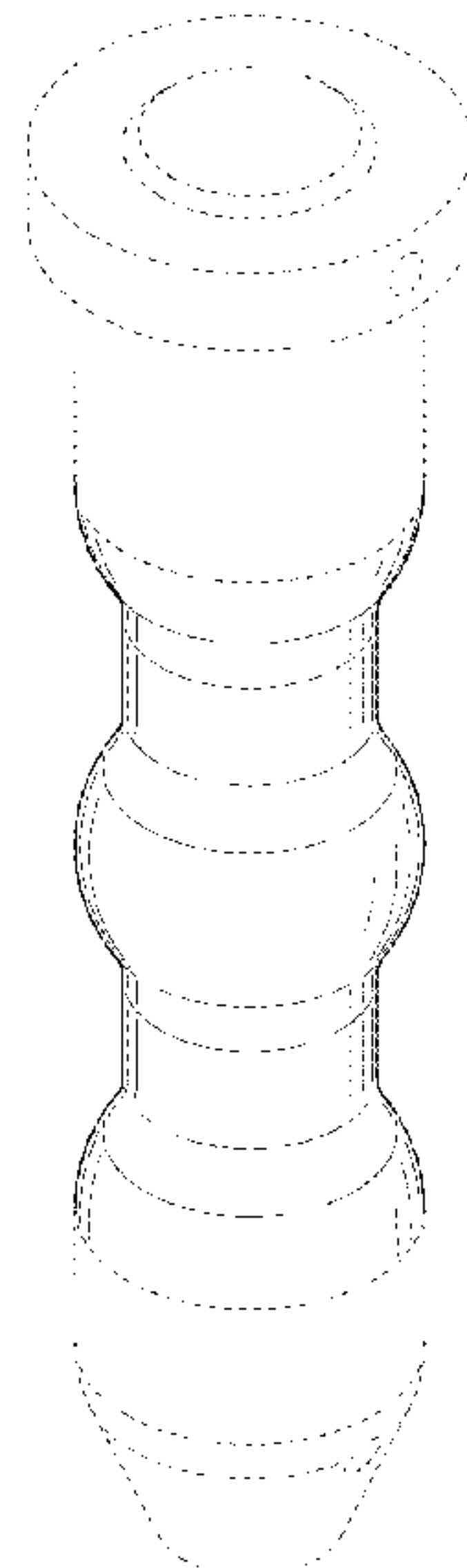
(57) **CLAIM**

The ornamental design for a connecting pin, as shown and described.

DESCRIPTION

FIG. 1 is a perspective view of a connector pin showing my new design;
FIG. 2 is an elevational view thereof;
FIG. 3 is another elevational view thereof;
FIG. 4 is a top plan view thereof;
FIG. 5 is a bottom plan view thereof; and,
FIG. 6 is a perspective view thereof, shown in the environmental use of a draw bar along with an attachment.
The broken lines adjacent to the surface shading define the boundary and form no part of the claimed design. Other broken lines illustrate unclaimed portions and environment of the claimed design. None of the broken lines form part of the claimed design.

1 Claim, 5 Drawing Sheets



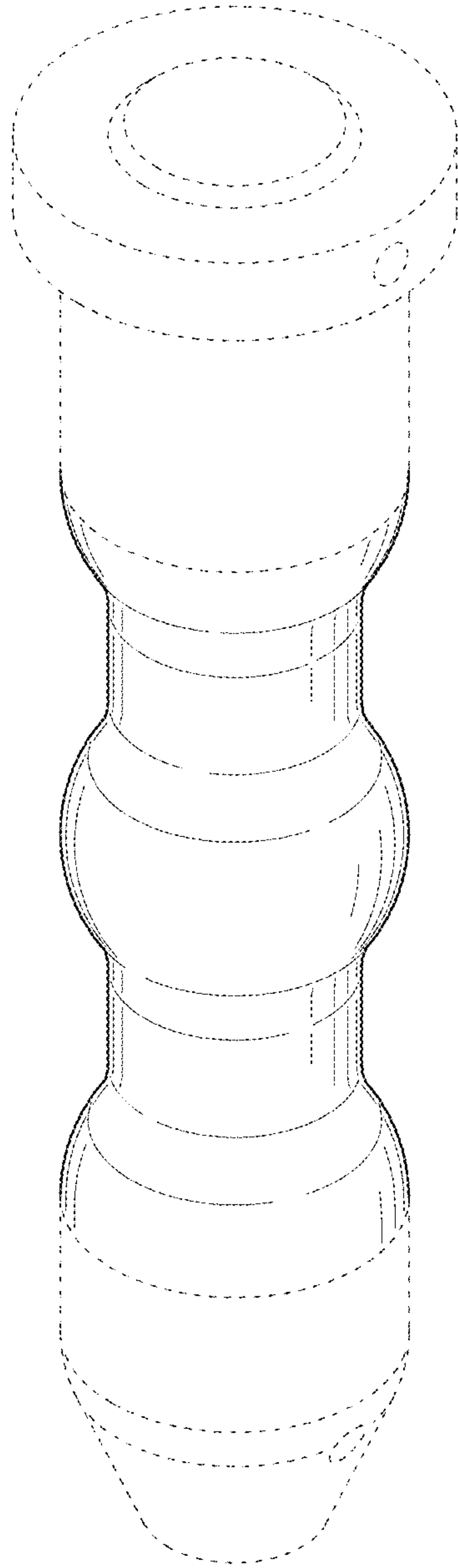


FIG. 1

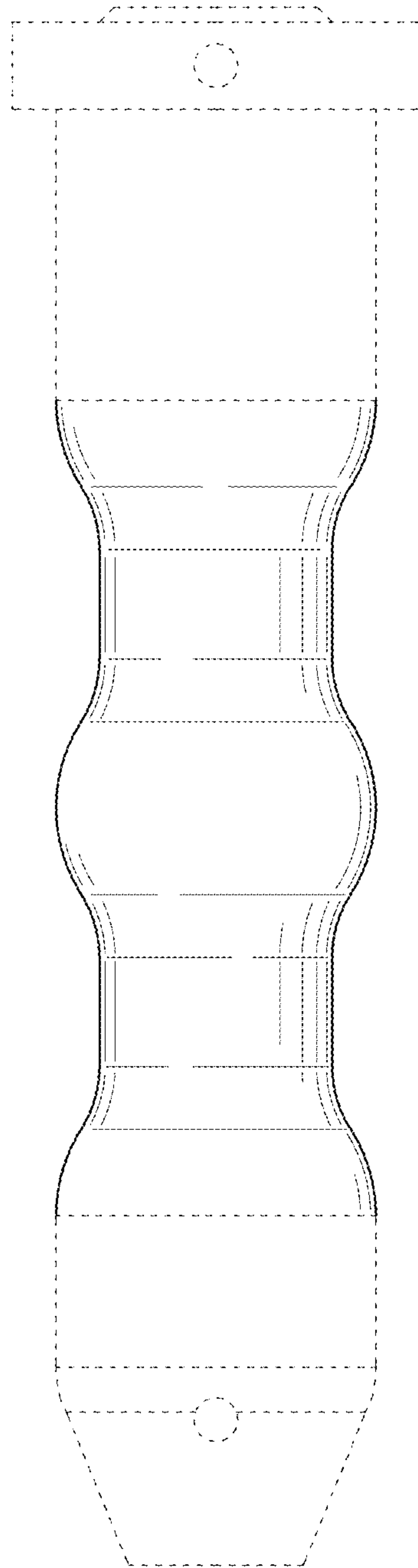


FIG. 2

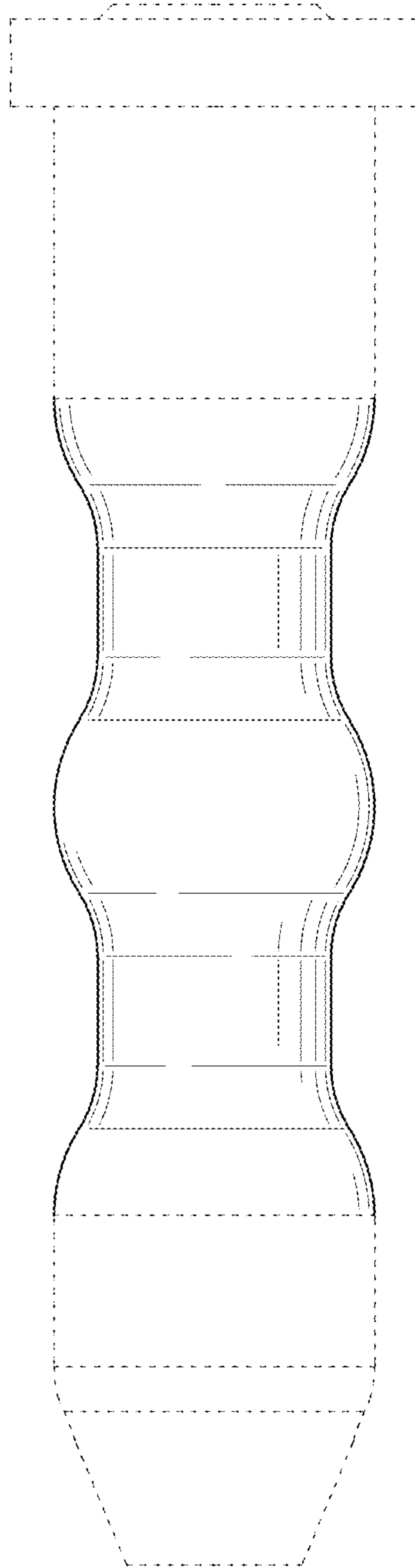


FIG. 3

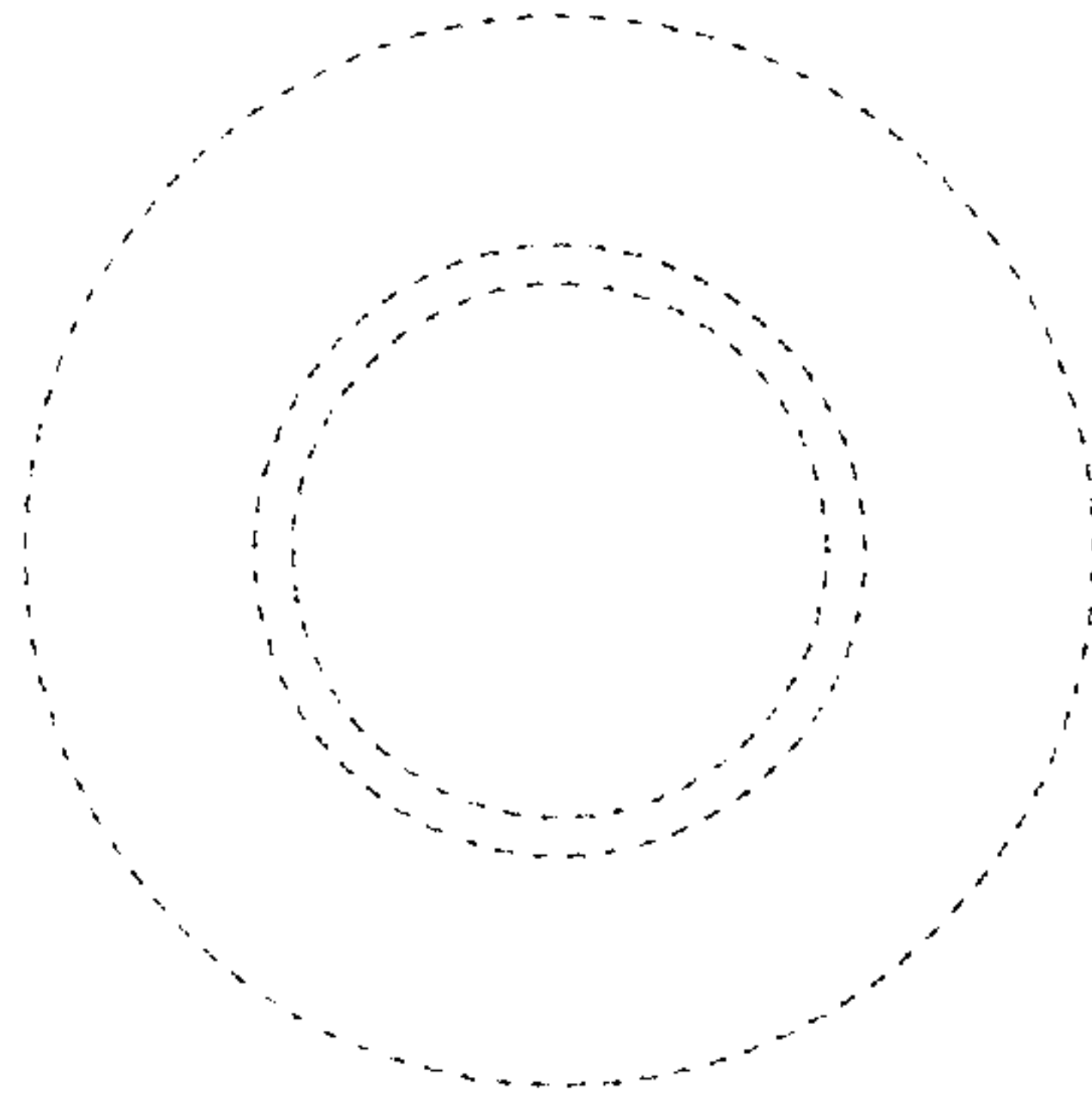


FIG. 4

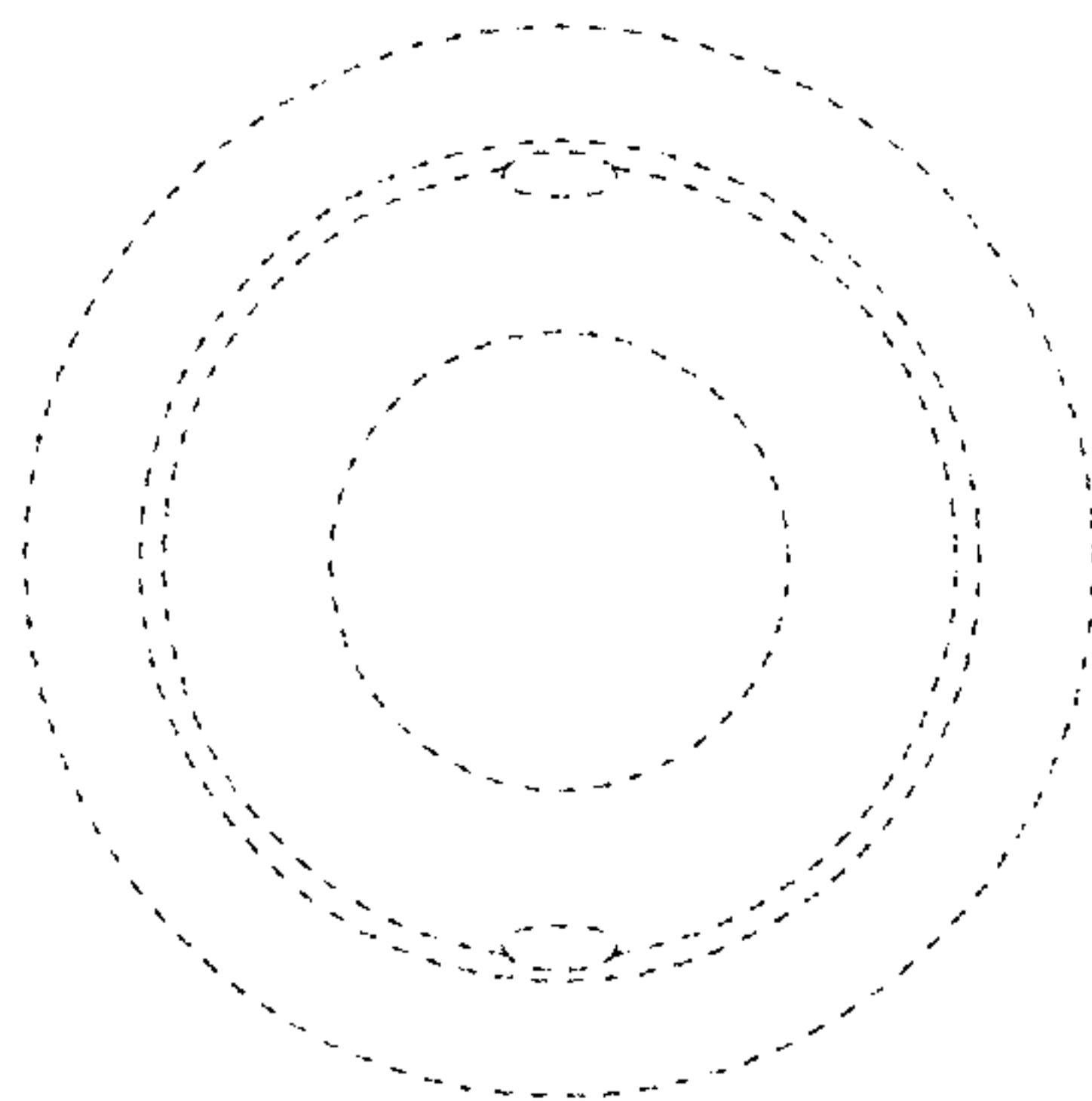


FIG. 5

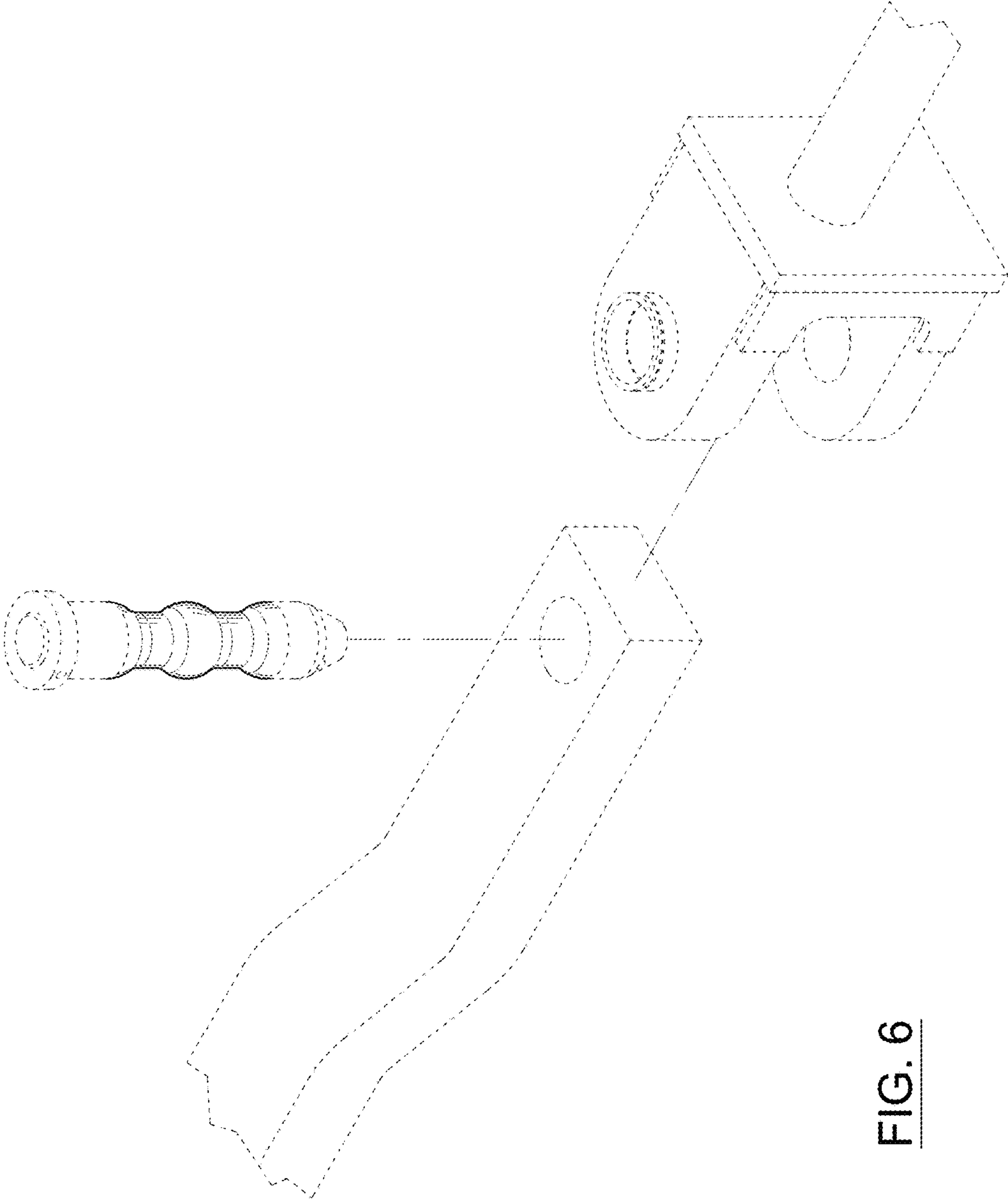


FIG. 6