



US00D818353S

(12) **United States Design Patent** (10) **Patent No.:** **US D818,353 S**
Sacks et al. (45) **Date of Patent:** **** May 22, 2018**

- (54) **ROBE HOOK** 4,003,538 A * 1/1977 Frye A47G 1/17
248/544
- (71) Applicant: **SK Innovative Products, LLC**, Las Vegas, NV (US) D287,816 S * 1/1987 Chasen 248/205.3
D289,139 S * 4/1987 Chasen D6/323
D289,255 S * 4/1987 Chasen D6/323
- (72) Inventors: **Esther Sacks**, Las Vegas, NV (US);
Elayne Kollins, Las Vegas, NV (US) D393,412 S * 4/1998 Bries D8/367
D428,802 S * 8/2000 Villano D20/43
D566,532 S * 4/2008 Wolff D8/367
D734,133 S * 7/2015 Spindler F21S 4/10
D8/367
- (73) Assignee: **SK Innovative Products, LLC**, Las Vegas, NV (US) D761,093 S * 7/2016 Liu D8/367

* cited by examiner

(**) Term: **15 Years**

Primary Examiner — Cynthia Underwood

(21) Appl. No.: **29/601,623**

(74) *Attorney, Agent, or Firm* — Newman Law, LLC

(22) Filed: **Apr. 24, 2017**

(57) **CLAIM**

(51) **LOC (11) Cl.** **08-05**

The ornamental design for a robe hook, as shown and described herein.

(52) **U.S. Cl.**

DESCRIPTION

USPC **D8/367**

(58) **Field of Classification Search**

USPC D8/367, 354, 349, 394, 372; D6/323,
D6/320, 324

CPC F16L 3/13; F16L 3/26; A47G 23/0225;
A47G 25/06; A47G 1/16; A47G 25/0607;
A47G 1/17; A47F 5/0846; A47F 5/02;
H02G 11/003; D06F 55/00; E04H 17/10;
A47K 10/04

See application file for complete search history.

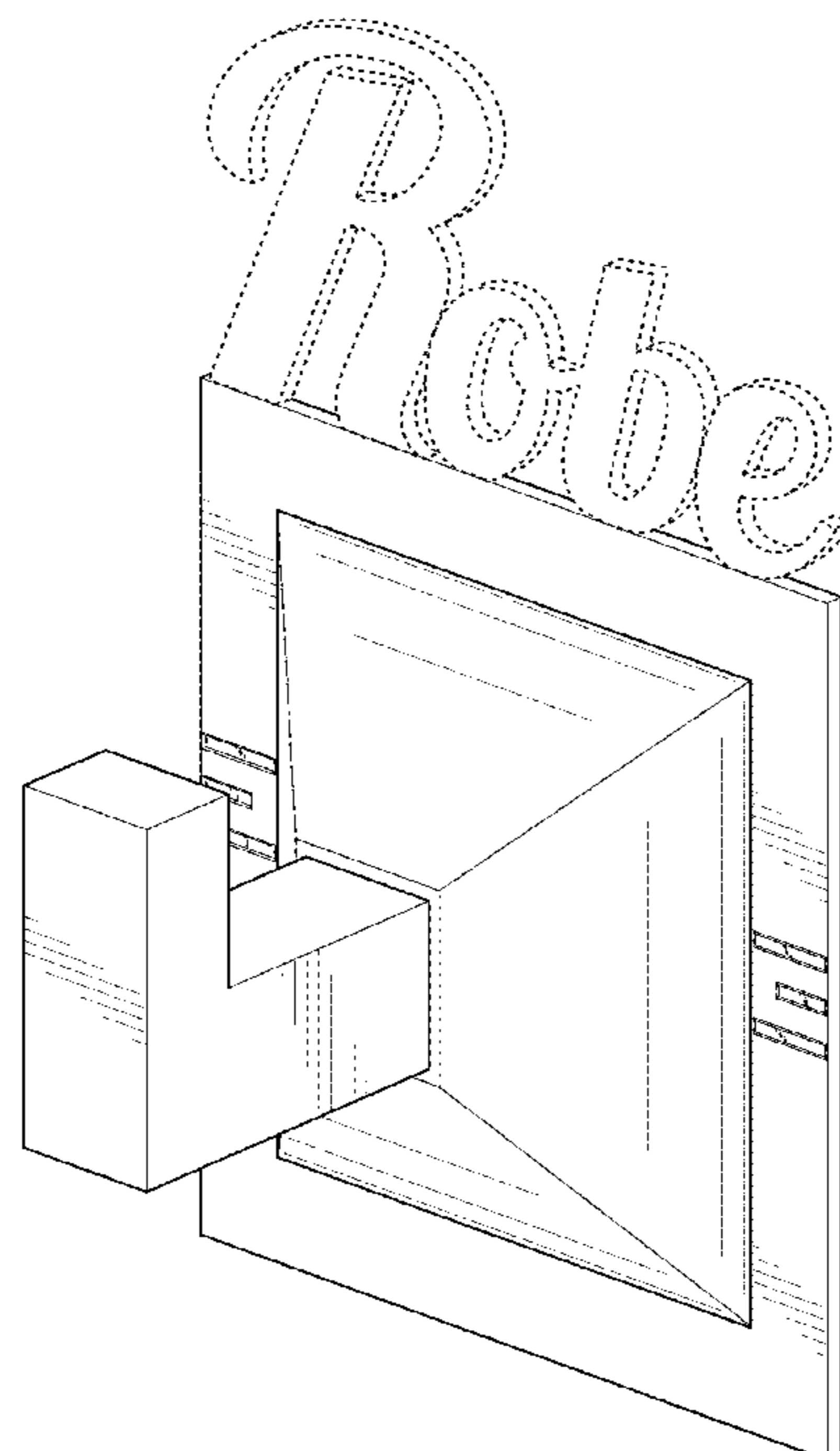
FIG. 1 is a perspective view of the robe hook of the invention;
FIG. 2 is a front view of the robe hook shown in FIG. 1;
FIG. 3 is a right side view of the robe hook shown in FIG. 1;
FIG. 4 is a left side view of the robe hook shown in FIG. 1;
FIG. 5 is a rear view of the robe hook shown in FIG. 1;
FIG. 6 is a top view of the robe hook shown in FIG. 1; and,
FIG. 7 is a bottom view of the robe hook shown in FIG. 1.
Surface markings are provided to illustrate the shape of the design with greater clarity but do not indicate the use of any specific type of surface material. The ornamental design which is claimed is shown in solid lines in the drawings. The broken lines illustrate portions of the robe hook which form no part of the claimed design.

(56) **References Cited**

U.S. PATENT DOCUMENTS

- 2,765,998 A * 10/1956 Engert A47G 1/17
248/205.3
- 3,637,181 A * 1/1972 Janssen A47G 1/17
156/320

1 Claim, 6 Drawing Sheets



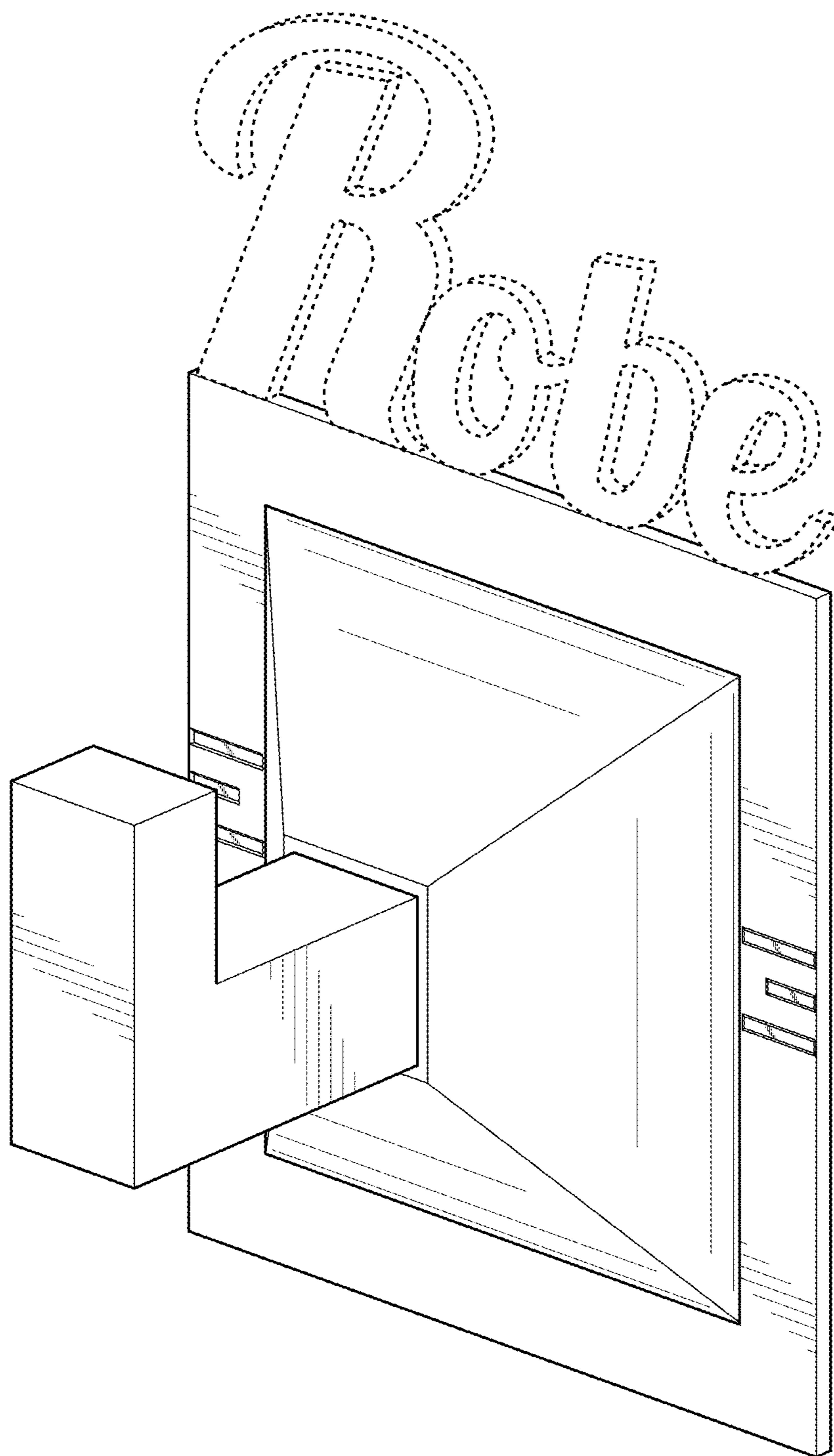


FIG. 1

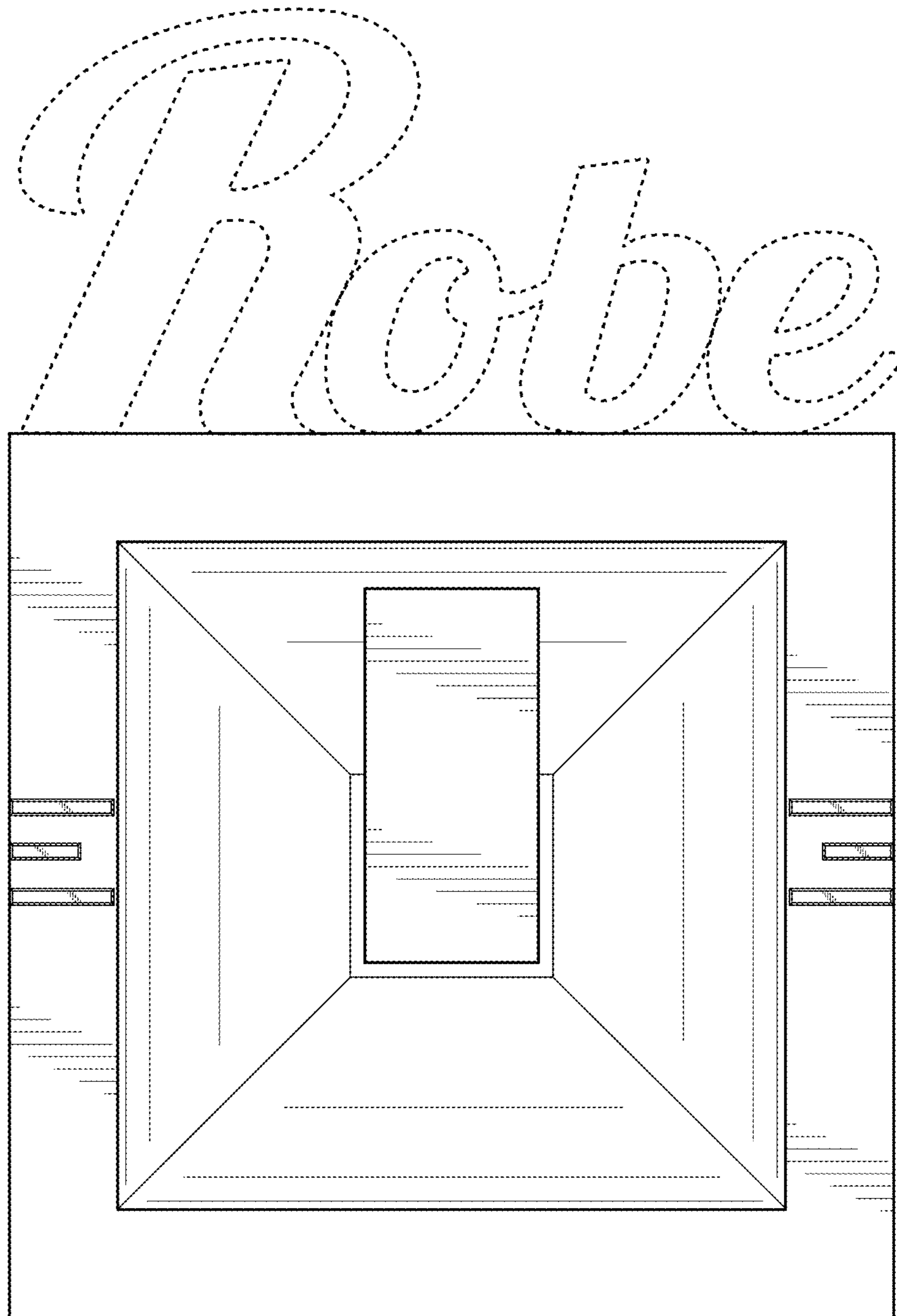


FIG. 2

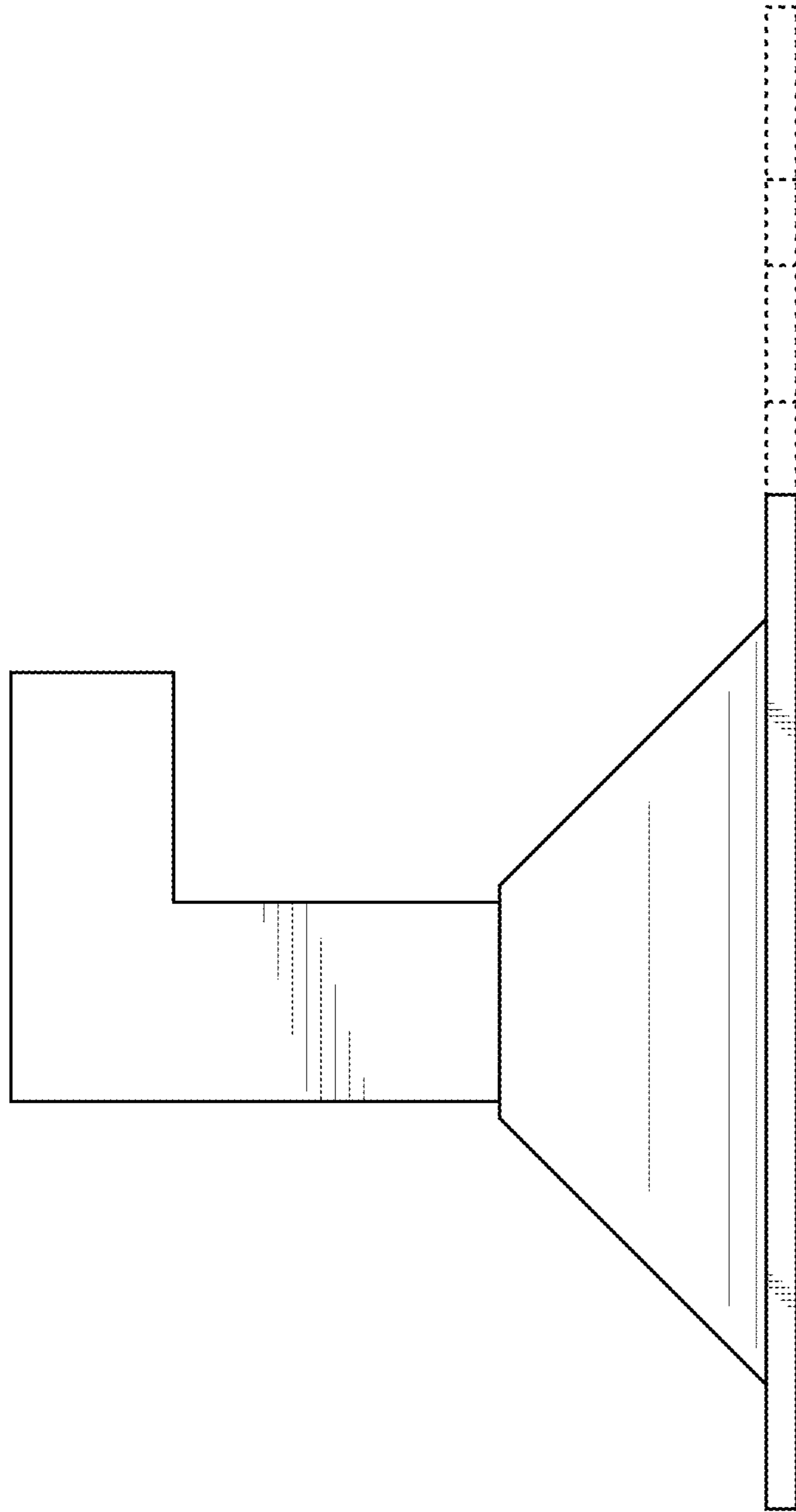


FIG. 3

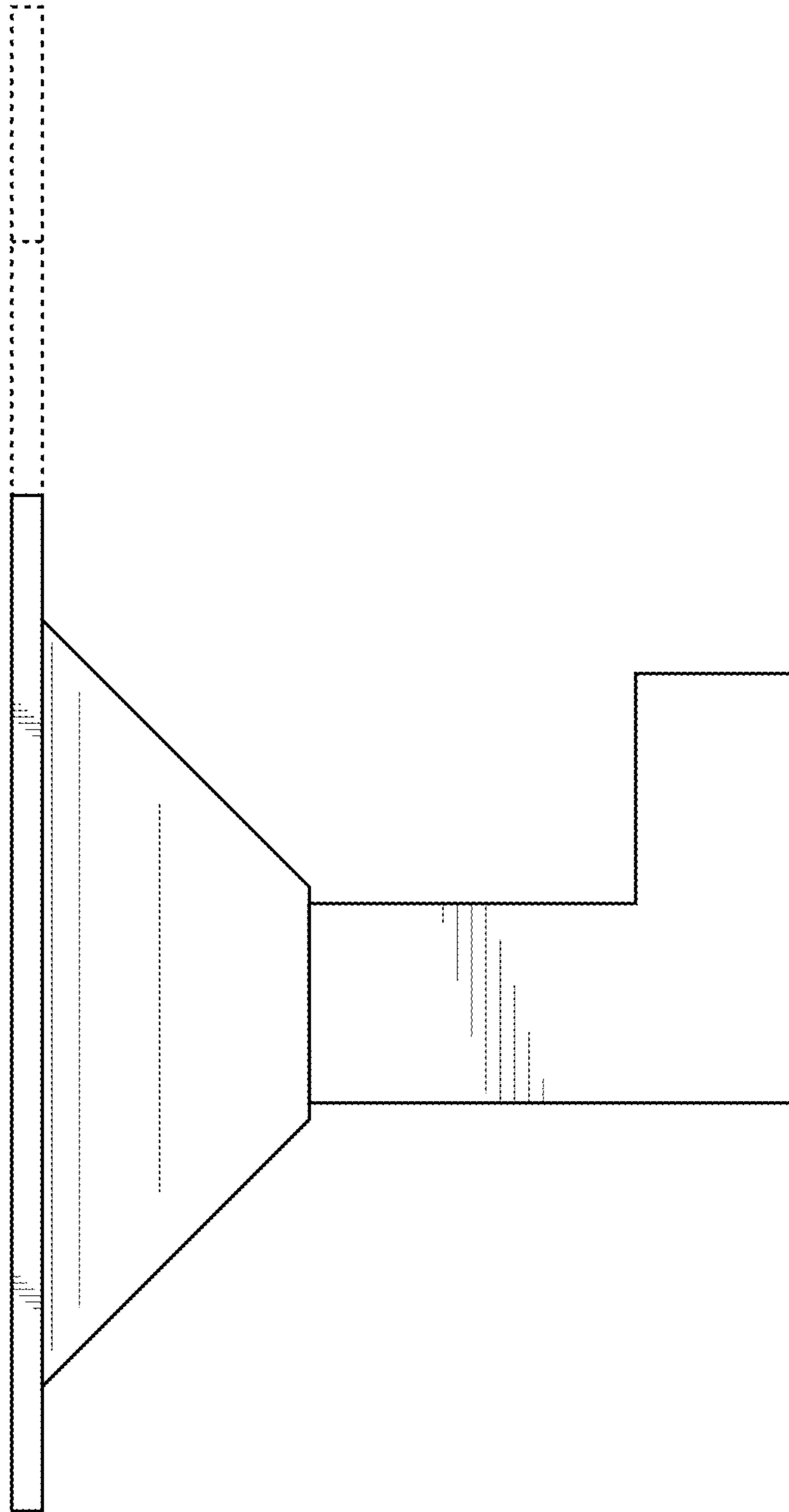


FIG. 4

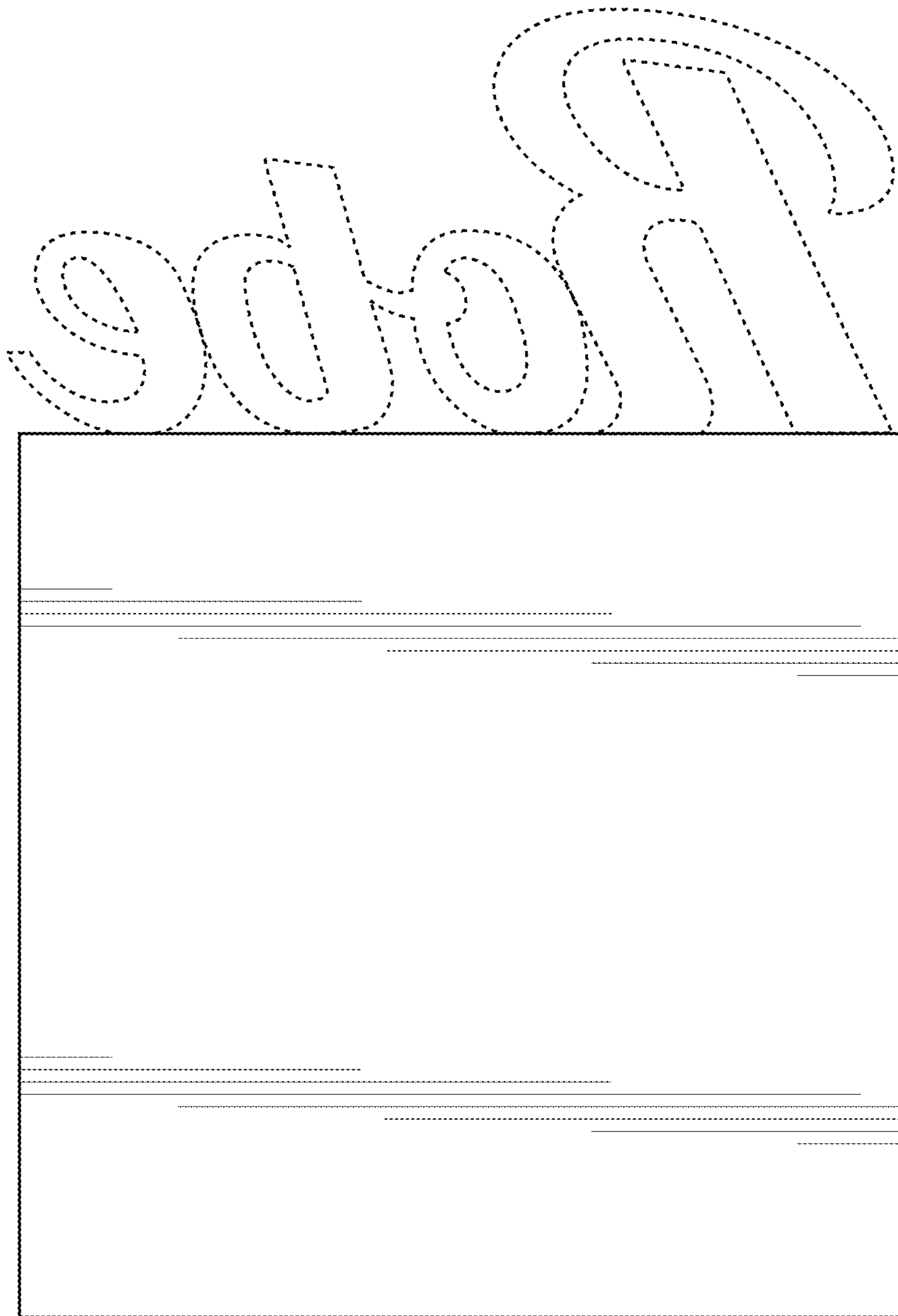


FIG. 5

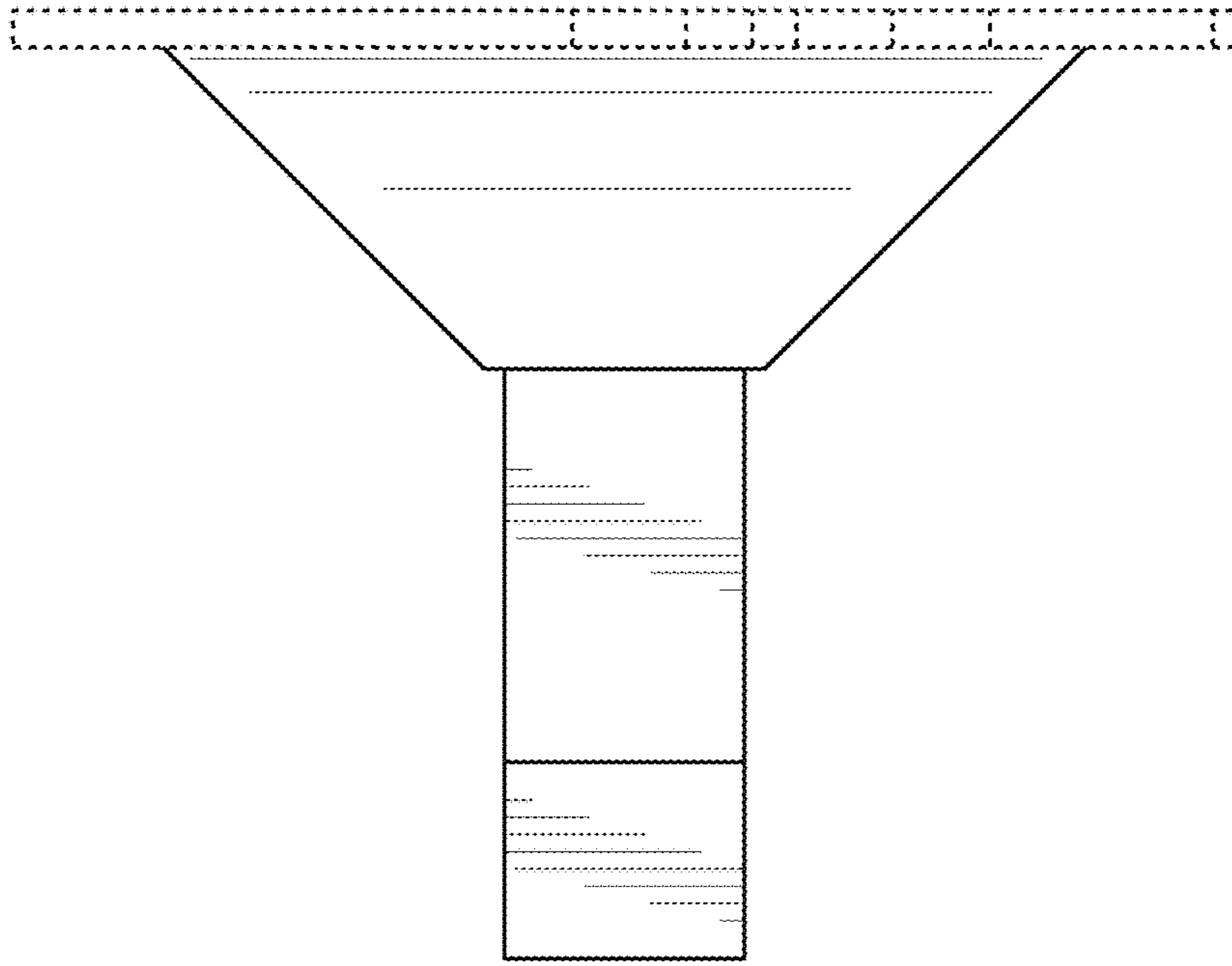


FIG. 6

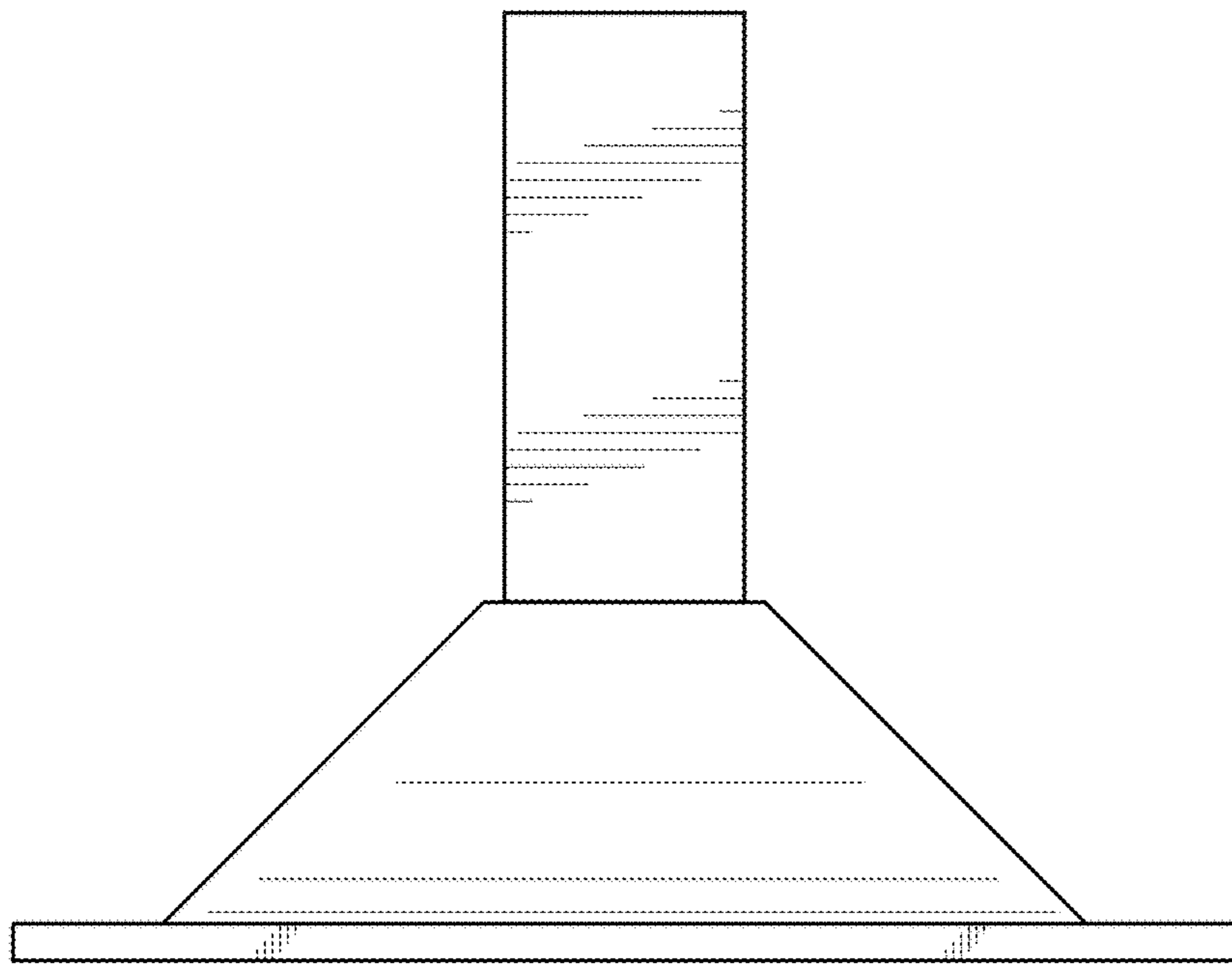


FIG. 7