



US00D818351S

(12) **United States Design Patent**
Jenkins, Sr.

(10) **Patent No.:** **US D818,351 S**

(45) **Date of Patent:** **** May 22, 2018**

(54) **HOSE REEL**

(71) Applicant: **Brett Jenkins, Sr.**, Norfolk, VA (US)

(72) Inventor: **Brett Jenkins, Sr.**, Norfolk, VA (US)

(**) Term: **15 Years**

(21) Appl. No.: **29/591,734**

(22) Filed: **Jan. 23, 2017**

(51) **LOC (11) Cl.** **08-05**

(52) **U.S. Cl.**
USPC **D8/358**

(58) **Field of Classification Search**
USPC D8/349-356, 358, 359, 363, 365, 366,
D8/371, 373, 374, 375, 380, 381, 382,
D8/387, 391, 393, 394, 396, 370, 367;
D14/239, 126, 451; D13/153, 154, 120,
D13/137.4; D29/122, 102, 105, 106
CPC .. F16B 7/0466; F16B 7/04; F16B 1/00; F16L
3/00; F16L 11/00; E04B 2001/405; B60B
33/0089; B60B 33/0097; F16M 13/02;
F16M 13/025; B65H 54/00; B65H 75/00
See application file for complete search history.

(56) **References Cited**

U.S. PATENT DOCUMENTS

- 2,863,151 A * 12/1958 Morgan, Jr. A42B 3/127
2/414
- D518,738 S * 4/2006 Dreggors D10/15
- D545,939 S * 7/2007 Larson D22/137

- D587,857 S * 3/2009 Nimmons D29/122
- D619,408 S * 7/2010 Hughes, II D7/301
- D642,071 S * 7/2011 Young D10/6
- D718,002 S * 11/2014 Littrell, Jr. D29/106
- D733,972 S * 7/2015 Szalkowski D29/102
- D775,895 S * 1/2017 Mayberry D7/515
- D778,504 S * 2/2017 Collette D29/106

* cited by examiner

Primary Examiner — Rosemary K Tarcza

Assistant Examiner — Christy Nemeth

(74) *Attorney, Agent, or Firm* — Quickpatents, LLC;
Kevin Prince

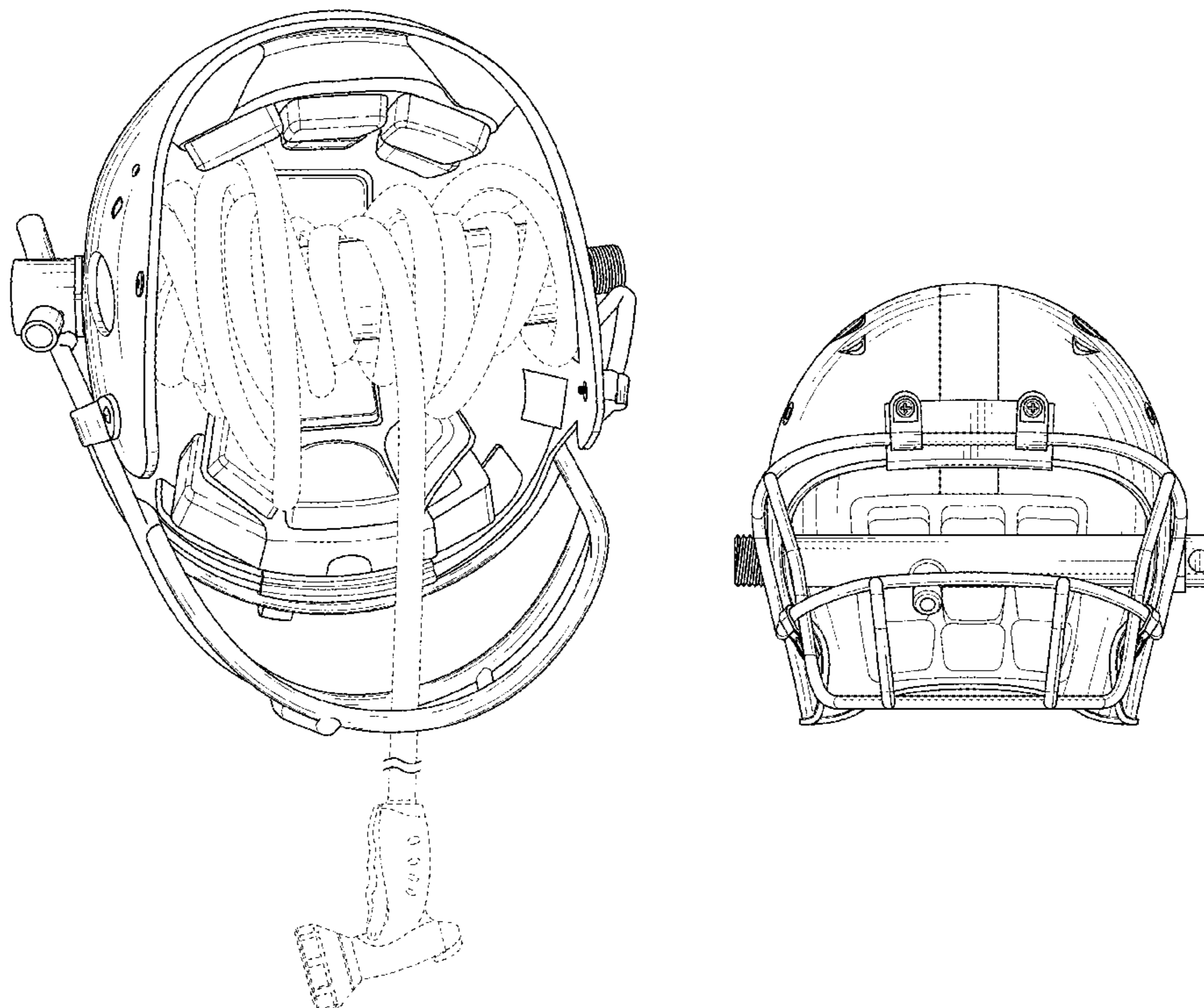
(57) **CLAIM**

I claim the ornamental design for a hose reel, as shown and described.

DESCRIPTION

FIG. 1 is a bottom perspective view of a hose reel, showing my new design;
 FIG. 2 is a front elevational view thereof;
 FIG. 3 is a rear elevational view thereof;
 FIG. 4 is a left-side elevational view thereof;
 FIG. 5 is a right-side elevational view thereof;
 FIG. 6 is a top plan view thereof; and,
 FIG. 7 is a bottom plan view thereof.
 The broken lines showing a hose and nozzle in FIG. 1 depict environmental subject matter that forms no part of the claimed design.

1 Claim, 4 Drawing Sheets



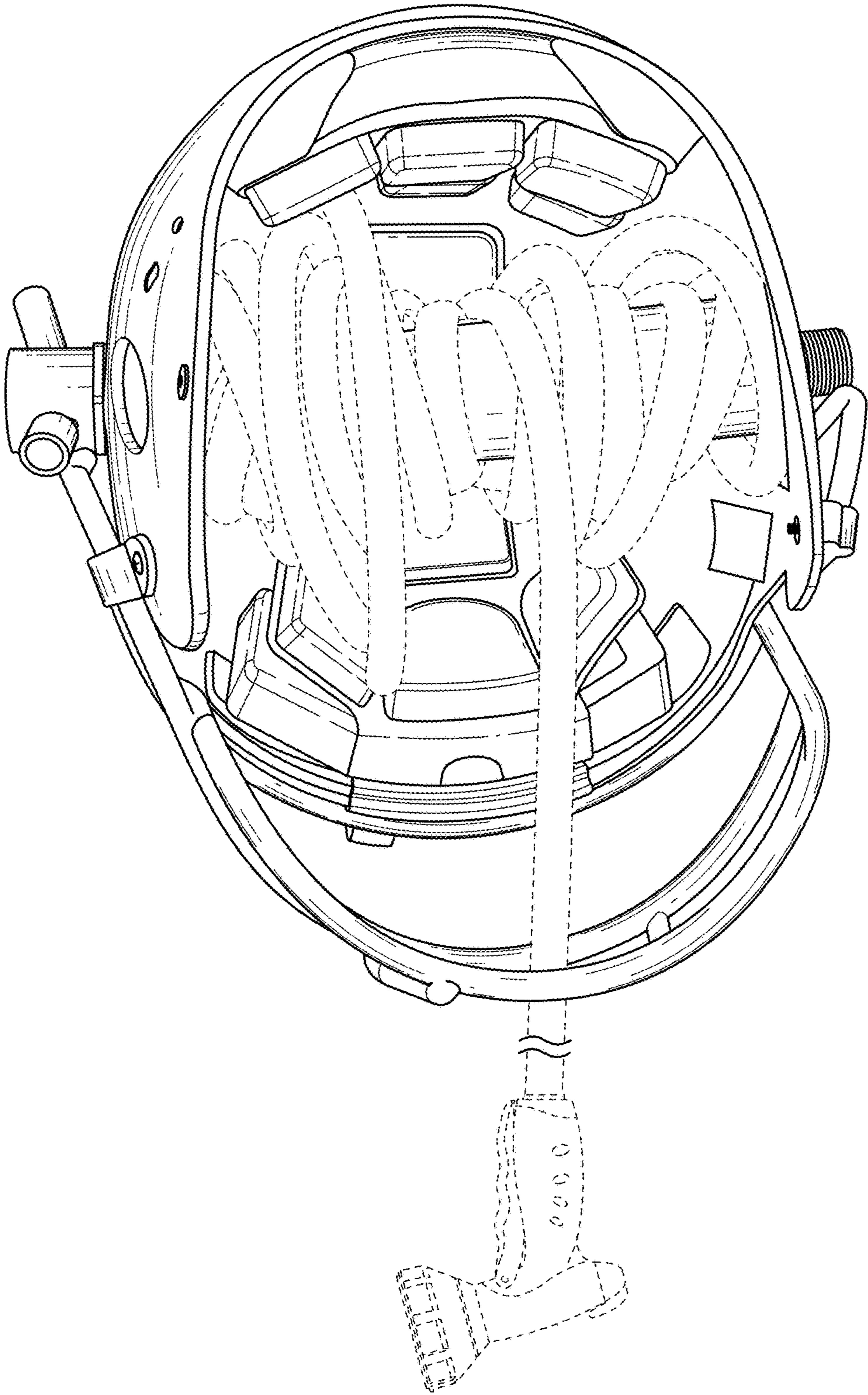


FIG. 1

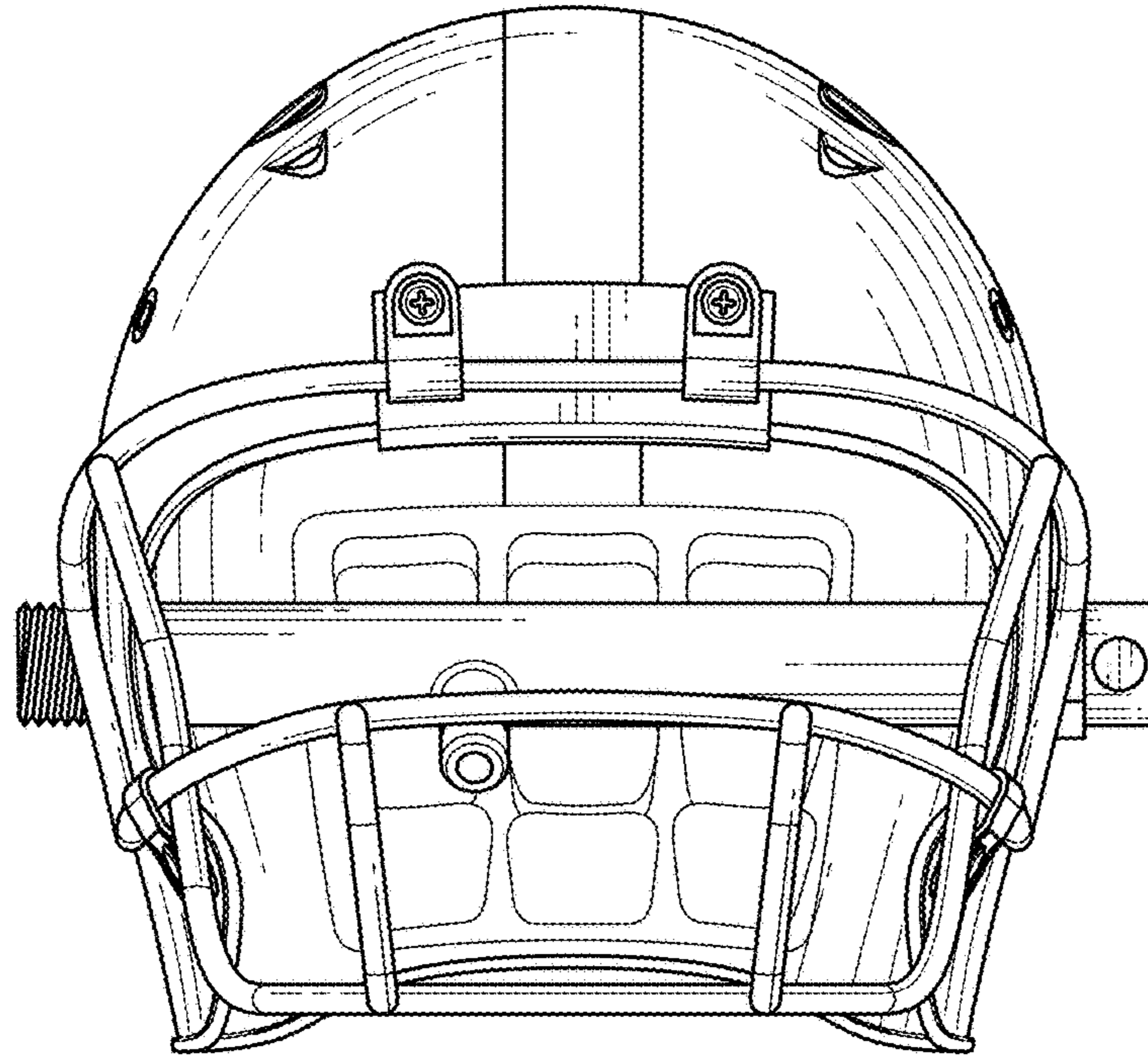


FIG. 2

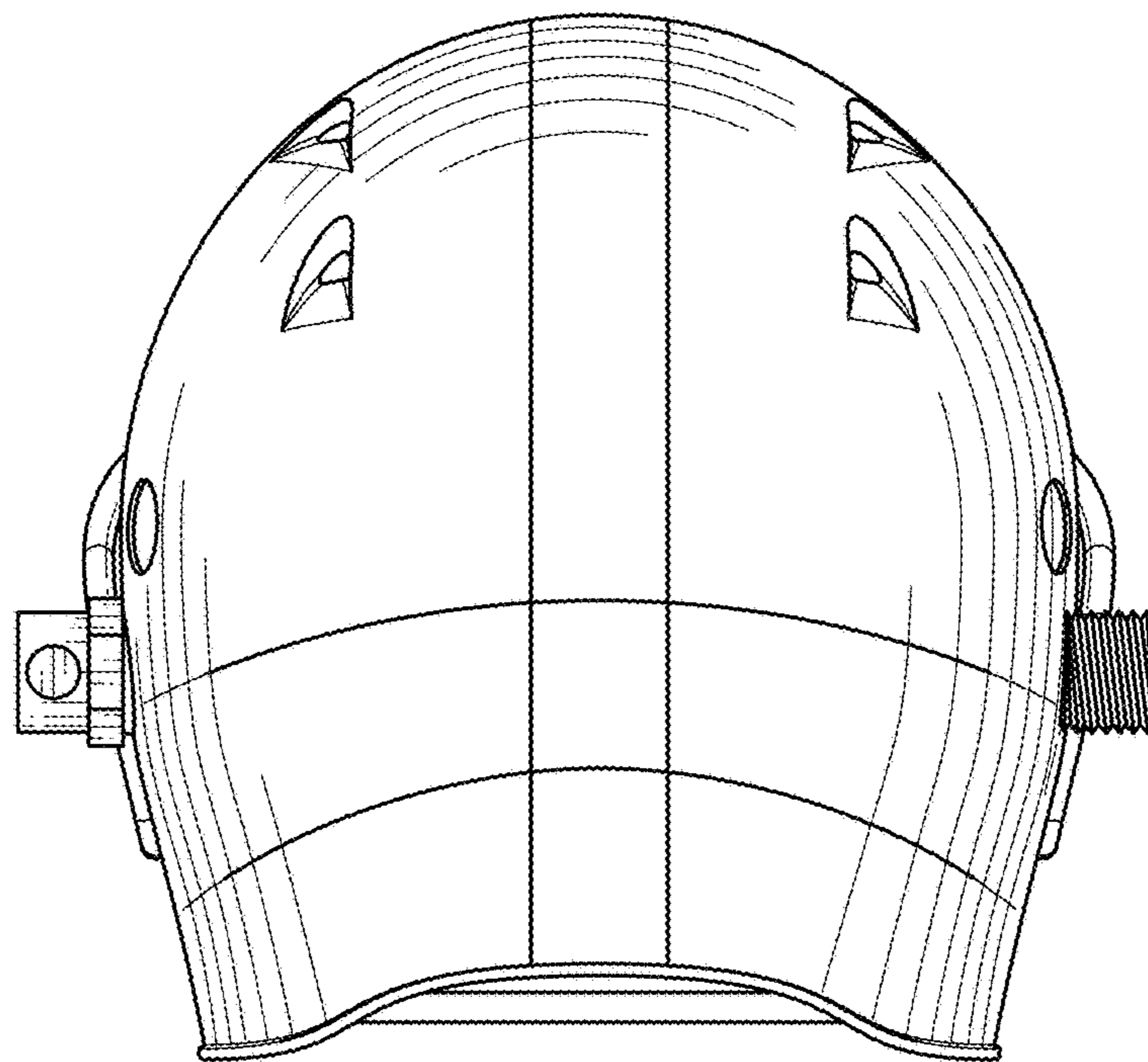


FIG. 3

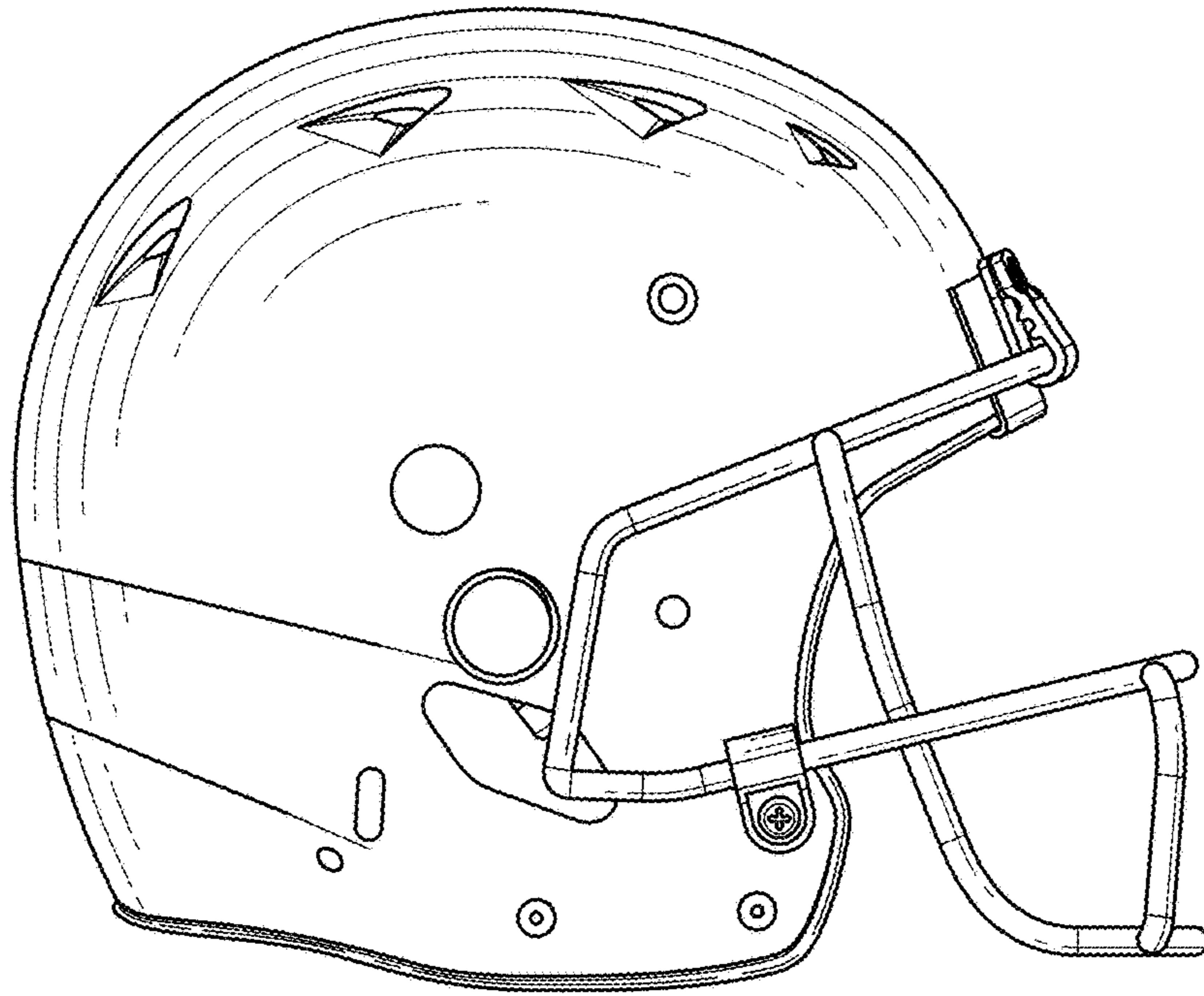


FIG. 4

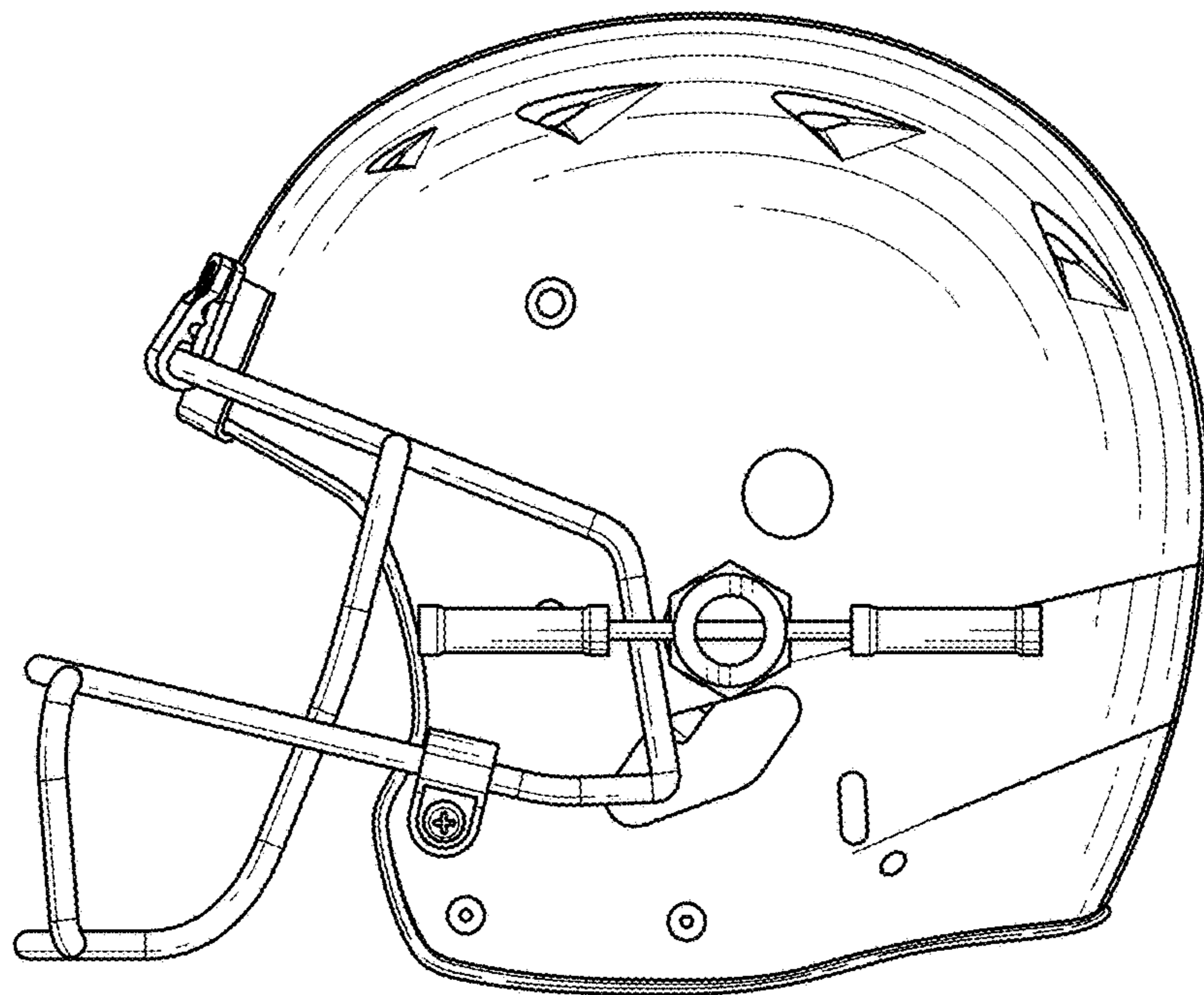


FIG. 5

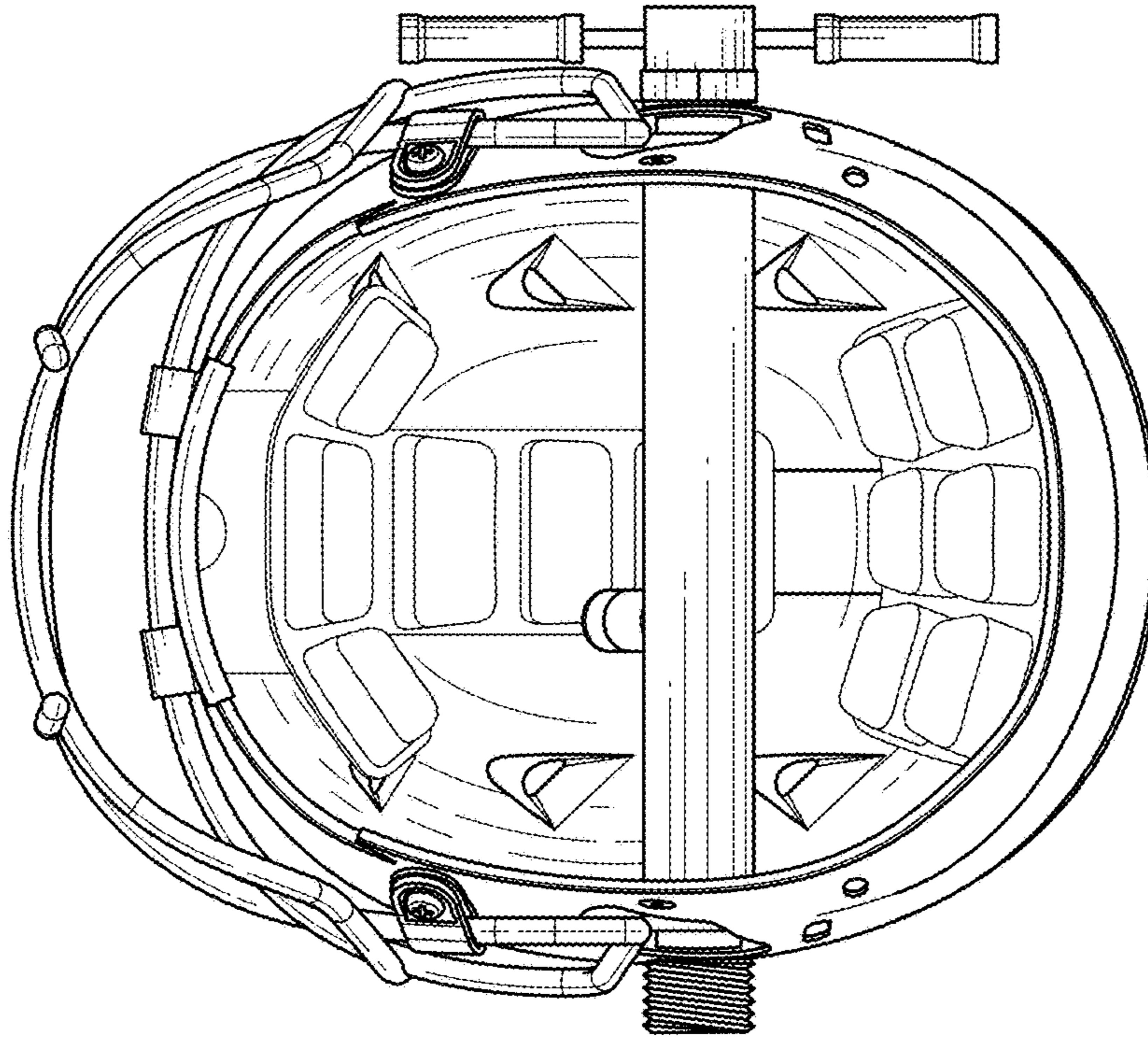


FIG. 7

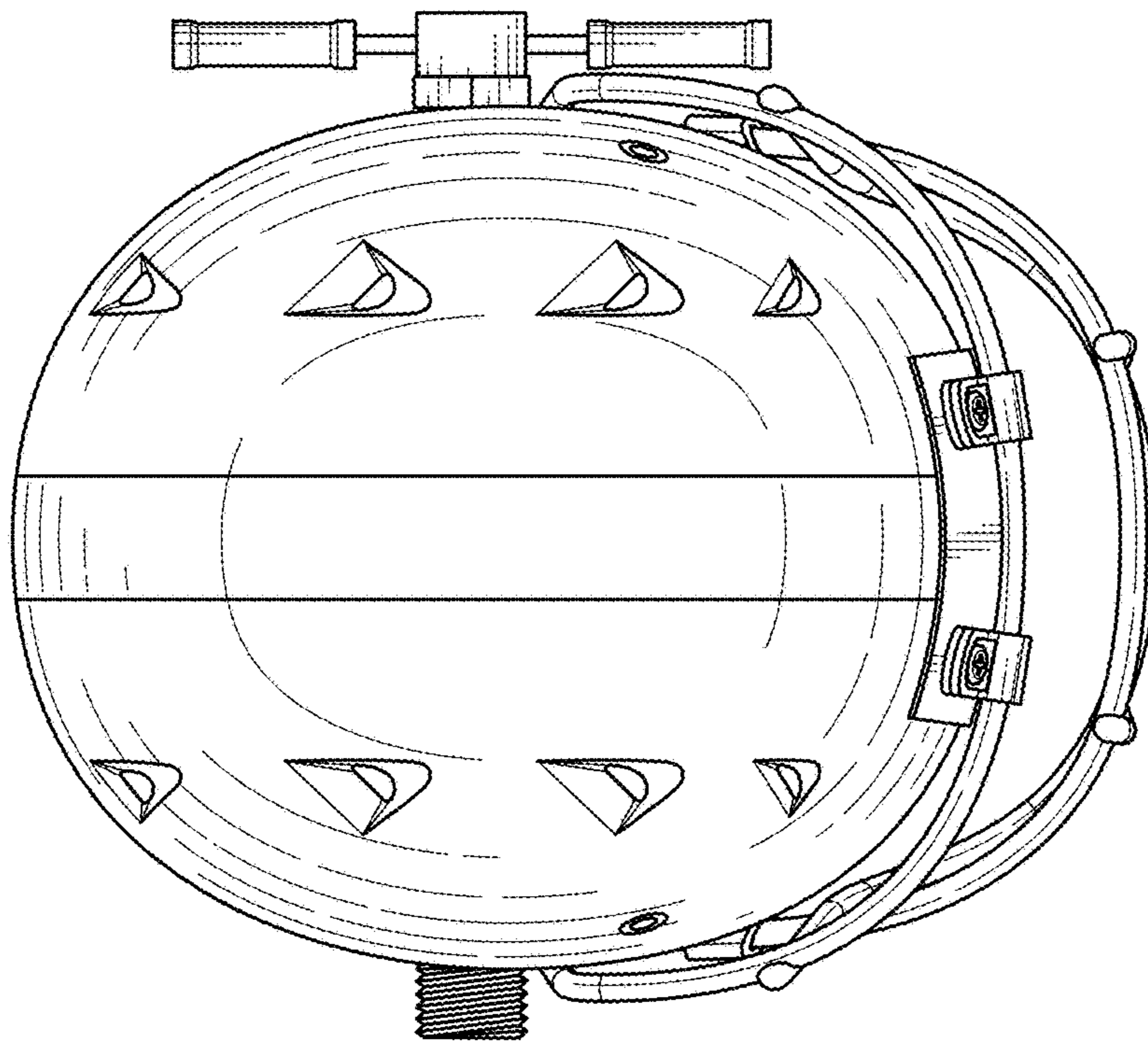


FIG. 6