



US00D818350S

(12) **United States Design Patent**
Dencek

(10) **Patent No.:** **US D818,350 S**

(45) **Date of Patent:** **** May 22, 2018**

- (54) **TECHNICIAN'S CORD POSITIONER**
- (71) Applicant: **Debra M Dencek**, Cave Creek, AZ
(US)
- (72) Inventor: **Debra M Dencek**, Cave Creek, AZ
(US)
- (**) Term: **15 Years**
- (21) Appl. No.: **29/603,921**
- (22) Filed: **May 12, 2017**
- (51) **LOC (11) Cl.** **09-06**
- (52) **U.S. Cl.**
USPC **D8/356**
- (58) **Field of Classification Search**
USPC D8/356, 354, 349; 206/233; 248/51
CPC B65H 57/16; E02D 5/803; B63B 21/045;
B63B 59/02; B60D 1/18; B60P 1/103;
B60P 7/0823; Y10T 24/3918; A62B
35/0081; A44B 13/0029; H04R 1/1033
See application file for complete search history.

(56) **References Cited**

U.S. PATENT DOCUMENTS

- D39,960 S * 5/1909 Mussillon D8/499
- 1,544,386 A * 6/1925 Fridolph A41F 15/002
2/73
- 2,373,328 A * 4/1945 Morehouse H02G 7/10
174/135
- 2,871,592 A * 2/1959 Polzin G09F 3/005
24/574.1
- D259,242 S * 5/1981 Gilb D8/373
- 4,957,232 A * 9/1990 Sprague A45F 5/02
224/249
- 5,024,402 A * 6/1991 Hamel B23B 45/02
24/16 PB
- D353,990 S * 1/1995 Alfreds D8/356
- 5,517,838 A * 5/1996 Moore E05B 13/002
24/16 PB

- 5,802,676 A * 9/1998 Tolan A44B 18/00
24/16 PB
- 5,845,374 A * 12/1998 Briggs A63B 71/146
2/161.2
- 6,085,393 A * 7/2000 Tsui A44B 99/00
24/3.12
- 6,092,444 A * 7/2000 Hsiao B25B 13/48
7/168
- 6,131,200 A * 10/2000 McNamara A41D 25/003
2/144
- 6,279,804 B1 * 8/2001 Gregg A45F 5/02
2/255
- 6,467,132 B1 * 10/2002 Robley B65D 63/1018
24/16 PB
- 6,490,767 B2 * 12/2002 Haiduk B62J 7/08
24/16 PB
- 6,523,229 B2 * 2/2003 Severson B65D 63/1018
24/16 PB
- 6,581,885 B2 * 6/2003 Polad F16L 3/137
24/16 PB
- 6,676,674 B1 * 1/2004 Dudai A61B 17/12
606/151
- 6,701,580 B1 * 3/2004 Bandyopadhyay B65D 63/10
24/16 R

(Continued)

Primary Examiner — Cynthia Underwood
(74) *Attorney, Agent, or Firm* — Scott A. Hill; The Hill
Law Firm, PLC

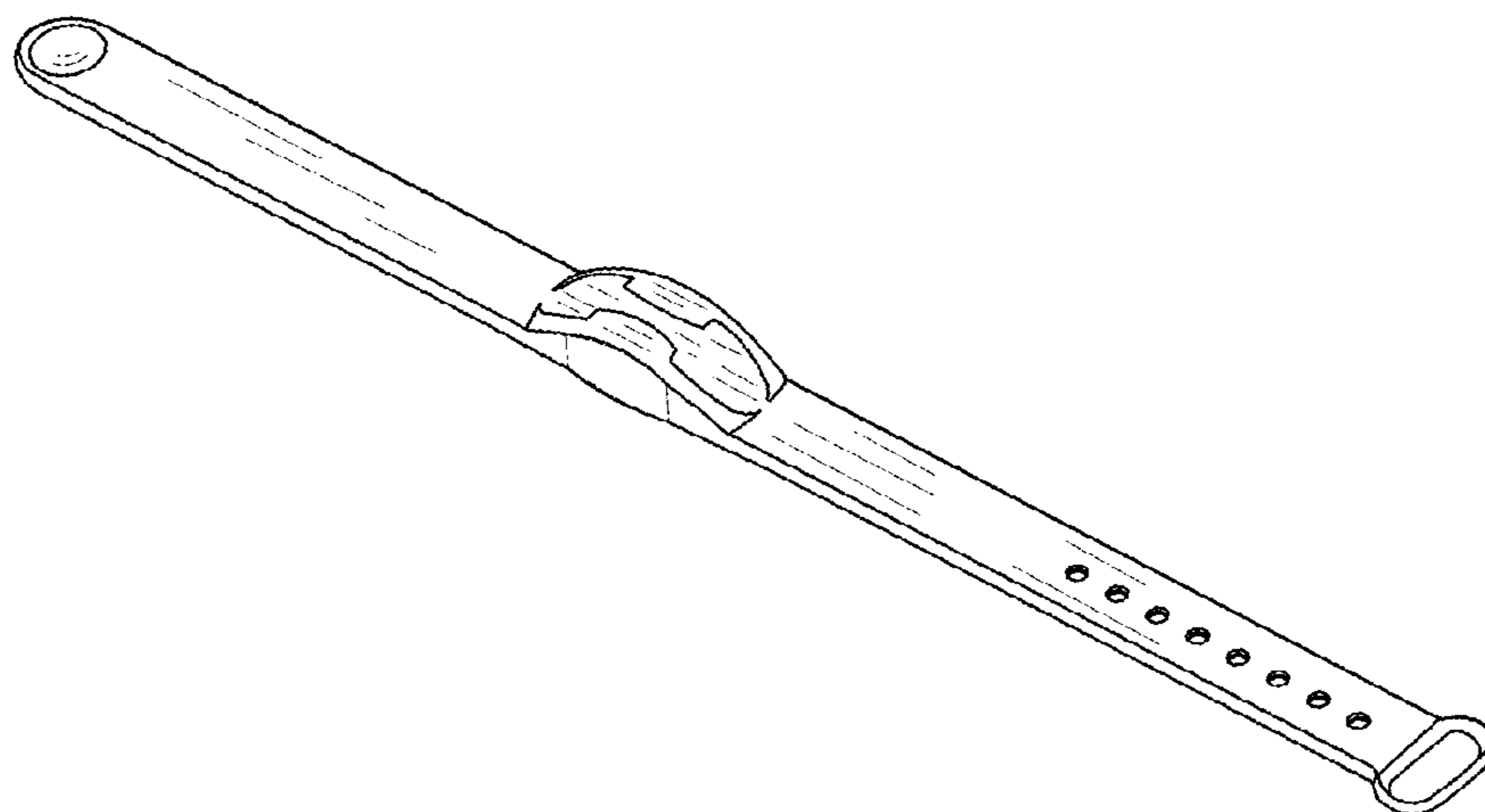
(57) **CLAIM**

The ornamental design for a technician's cord positioner, as shown and described.

DESCRIPTION

FIG. 1 is a perspective view of a technician's cord positioner showing my new design;
FIG. 2 is a plan view thereof;
FIG. 3 is a left side elevational view thereof; and,
FIG. 4 is a right side elevational view thereof.

1 Claim, 1 Drawing Sheet



(56)

References Cited

U.S. PATENT DOCUMENTS

6,763,554 B1 * 7/2004 Torrey B65D 63/10
24/17 AP
D495,972 S * 9/2004 Pettingill D11/220
D505,785 S * 6/2005 Woody D3/215
D511,450 S * 11/2005 Seth D20/22
7,039,958 B2 * 5/2006 Henricksen A41F 19/005
2/126
7,096,544 B2 * 8/2006 Lusardi A45F 5/12
24/306
D543,833 S * 6/2007 Folk D8/349
7,252,450 B2 8/2007 Aguirre et al.
7,356,888 B2 * 4/2008 Chao A45F 5/00
24/306
7,624,480 B2 * 12/2009 Coronel A61M 25/02
128/DIG. 15
7,731,069 B2 * 6/2010 Lopreiato B65G 7/12
224/157
D652,756 S * 1/2012 Lans D11/3
D660,740 S * 5/2012 Cullen D11/3
D662,087 S * 6/2012 Peller D14/205
D666,076 S * 8/2012 Muratore D8/349
D667,043 S * 9/2012 Couch III D16/237
D675,123 S * 1/2013 Nunez D11/3
8,413,306 B2 * 4/2013 Gallant B29C 43/222
24/306
8,458,864 B1 * 6/2013 Patton A61F 5/3792
24/16 R
D693,992 S * 11/2013 Dinunzio D11/220
D712,295 S * 9/2014 Ennis D11/3
D729,045 S * 5/2015 Cavanaugh D8/356
D732,933 S * 6/2015 Jansen D8/356

D733,525 S * 7/2015 Petzl D8/349
D740,106 S * 10/2015 Cooper D8/356
9,340,341 B2 * 5/2016 Farrell B65D 63/14
9,550,550 B1 * 1/2017 Housman B63B 27/146
D794,490 S * 8/2017 Lindgren D11/3
D811,859 S * 3/2018 Orser D8/356
D813,016 S * 3/2018 Deneau D8/356
2001/0013277 A1 * 8/2001 Galkiewicz A44B 18/0053
100/2
2003/0110596 A1 * 6/2003 Graham B65D 63/1018
24/16 R
2003/0167605 A1 * 9/2003 Schultz A44B 18/00
24/306
2004/0003487 A1 * 1/2004 Reiter A41F 1/002
24/303
2004/0167456 A1 * 8/2004 Kingsford A61B 5/02233
602/48
2005/0251967 A1 * 11/2005 McNeill B65D 63/1027
24/16 PB
2006/0032032 A1 * 2/2006 Cheng F16L 3/23
24/306
2009/0106948 A1 * 4/2009 Lopez B65D 63/1018
24/16 PB
2012/0018250 A1 * 1/2012 Smith A63B 27/00
182/9
2013/0334385 A1 * 12/2013 Steck A63B 29/024
248/231.9
2014/0182087 A1 * 7/2014 St. Jean B60P 7/0823
24/298
2014/0262864 A1 * 9/2014 Rothbaum H01F 7/0263
206/223
2017/0246632 A1 * 8/2017 Slepian B01L 3/502746

* cited by examiner

Fig. 1

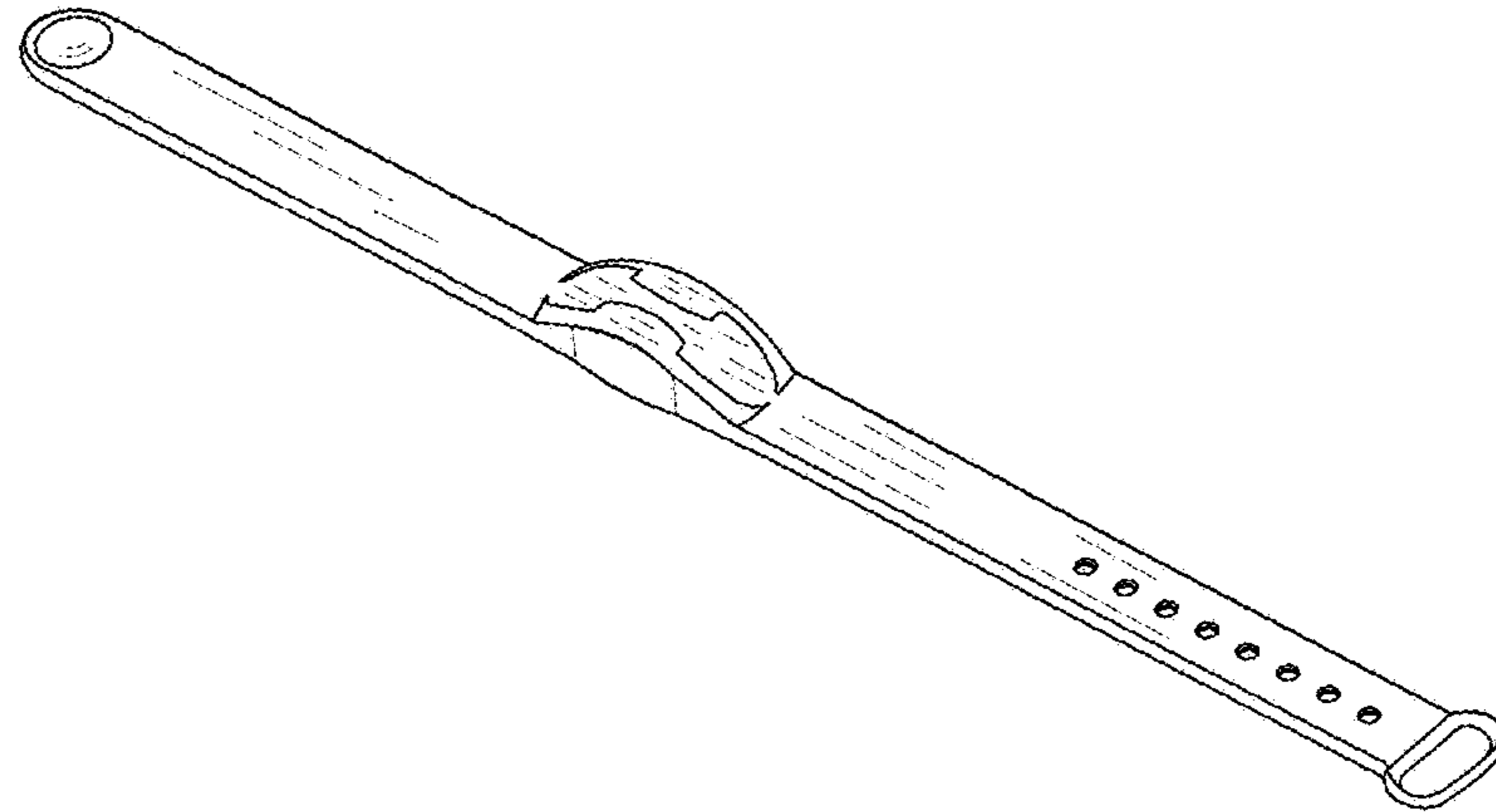


Fig. 2



Fig. 3

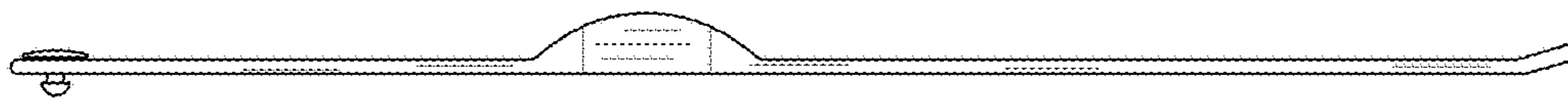


Fig. 4

