



US00D818349S

(12) **United States Design Patent**
White

(10) **Patent No.:** **US D818,349 S**

(45) **Date of Patent:** **** May 22, 2018**

(54) **OFFSET DISPLAY HOLDER FOR TOP MOUNT**

2016/0275829 A1* 9/2016 White G09F 7/18
2017/0086602 A1* 3/2017 White A47F 5/0838
2017/0103686 A1* 4/2017 White G09F 7/18

(71) Applicant: **Michael J. White**, Ripon, WI (US)

* cited by examiner

(72) Inventor: **Michael J. White**, Ripon, WI (US)

Primary Examiner — Lakiya G Rogers

Assistant Examiner — Harold E Blackwell, II

(73) Assignee: **K-International, Inc.**, Waukegan, IL (US)

(74) *Attorney, Agent, or Firm* — Schiff Hardin LLP

(**) Term: **14 Years**

(57) **CLAIM**

The ornamental design of an offset display holder for top mount, as shown and described.

(21) Appl. No.: **29/519,473**

DESCRIPTION

(22) Filed: **Mar. 5, 2015**

(51) **LOC (11) Cl.** **08-05**

(52) **U.S. Cl.**
USPC **D8/354**

(58) **Field of Classification Search**
USPC D14/238, 251, 447; D20/10, 42, 43, 44,
D20/99; 52/649.1, 649.2, 296; D8/354,
D8/380

CPC G09F 7/18; G09F 2007/186; G09F 15/025;
G09F 2007/1852

See application file for complete search history.

FIG. 1 is a perspective view taken from the front, top, right side of the offset display holder for top mount of a first embodiment showing my new design;
FIG. 2 is a top plan view of the offset display holder for top mount of FIG. 1;
FIG. 3 is a bottom plan view of the offset display holder for top mount of FIG. 1;
FIG. 4 is a front elevational view of the offset display holder for top mount of FIG. 1;
FIG. 5 is a back elevational view of the offset display holder for top mount of FIG. 1;
FIG. 6 is a right side elevational view of the offset display holder for top mount of FIG. 1, the left side elevational view being a mirror image thereof but otherwise identical;
FIG. 7 is a perspective view taken from the front, top, right side of the offset display holder for top mount of a second embodiment showing my new design, further views of the second embodiment not being shown as the further views are apparent from the views of FIGS. 1-6; and
FIG. 8 is a perspective view taken from the front, top, right side of the offset display holder for top mount of a third embodiment showing my new design, further views of the third embodiment not being shown as the further views are apparent from the views of FIGS. 1-6.

(56) **References Cited**

U.S. PATENT DOCUMENTS

6,691,963 B1* 2/2004 Padiak G09F 7/18
248/220.22
D742,970 S * 11/2015 White D20/43
D749,404 S * 2/2016 White D8/380
D749,405 S * 2/2016 White D8/380
D777,467 S * 1/2017 White D6/512
2015/0262516 A1* 9/2015 White A47F 13/06
40/600
2016/0265718 A1* 9/2016 White G09F 7/18

1 Claim, 5 Drawing Sheets

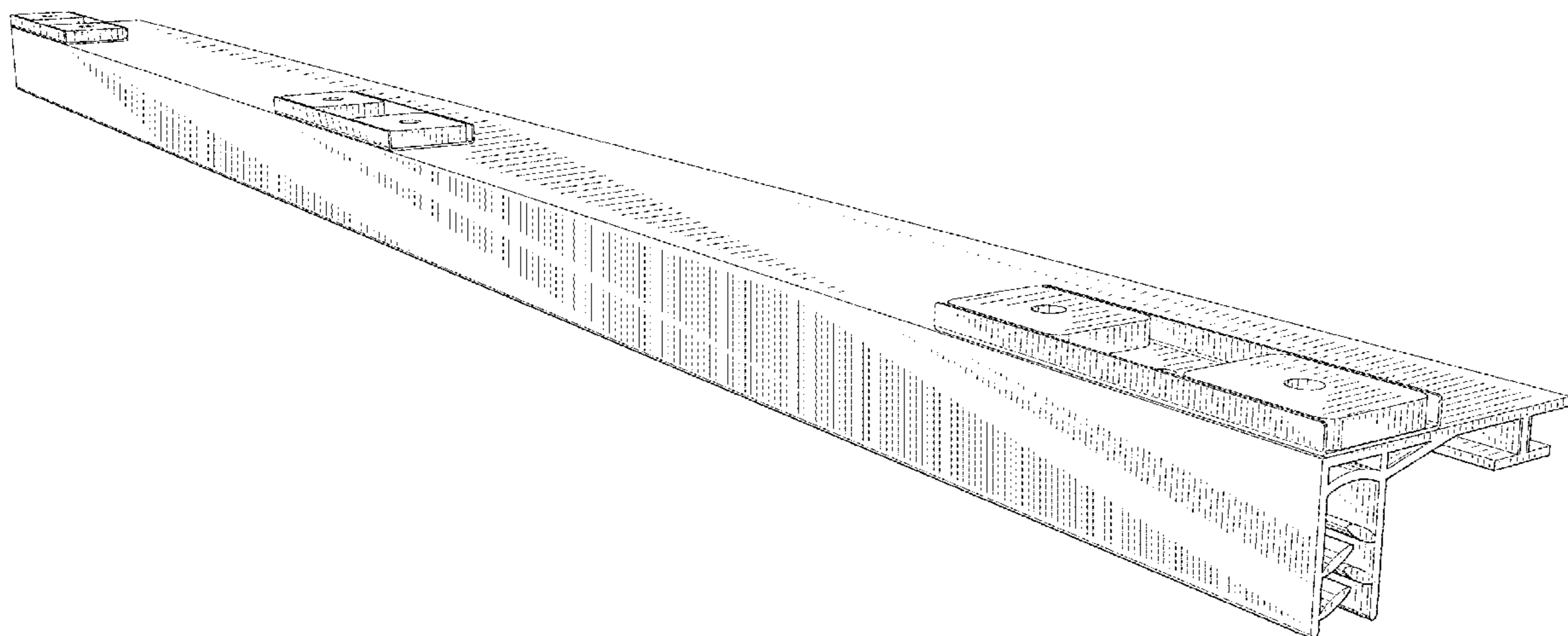


FIG. 1

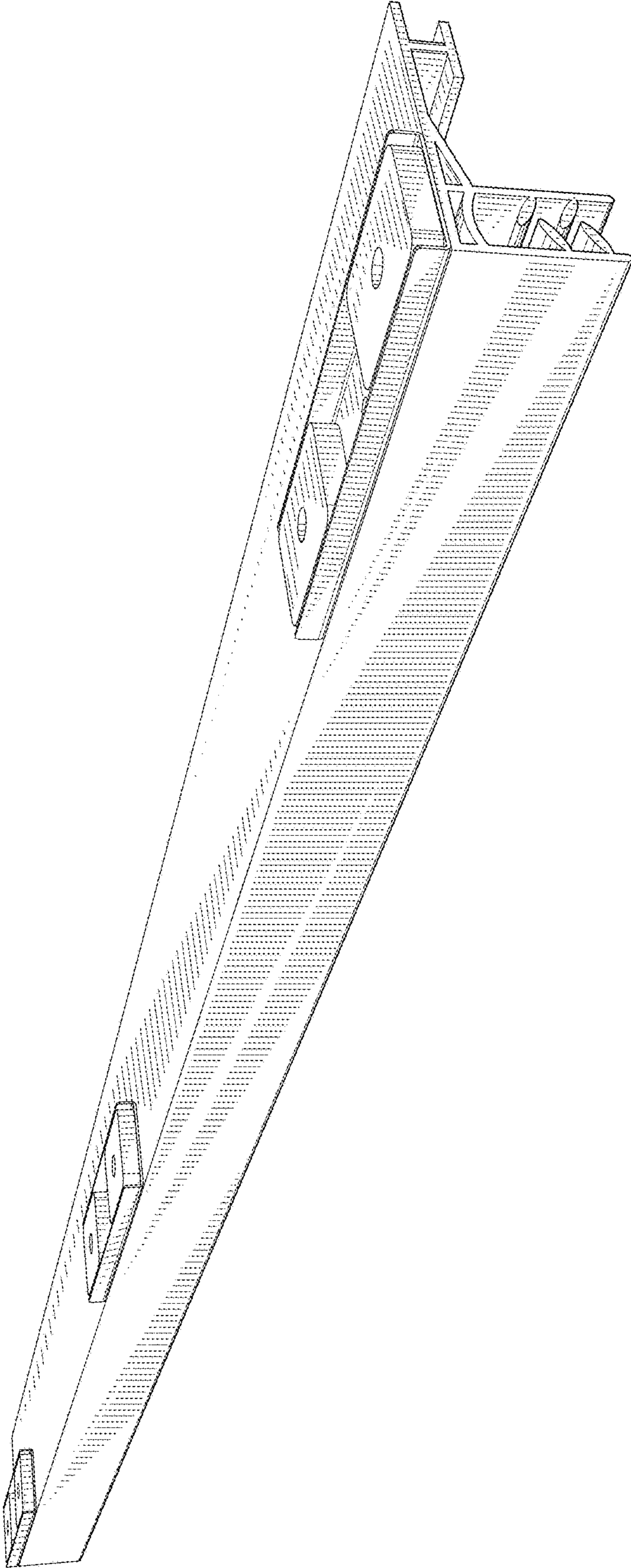


FIG. 2

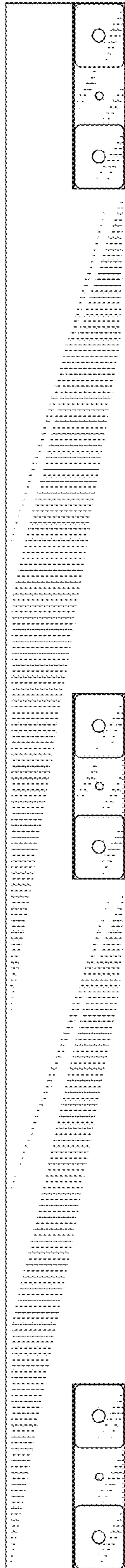


FIG. 3

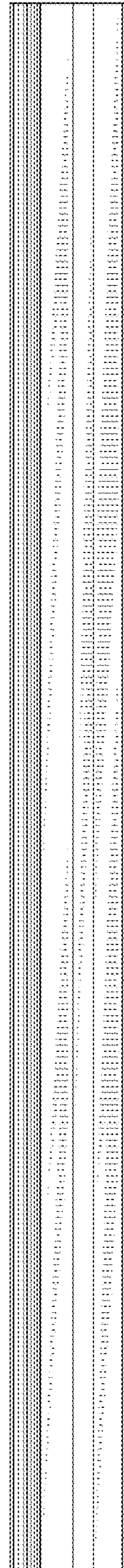


FIG. 4



FIG. 5

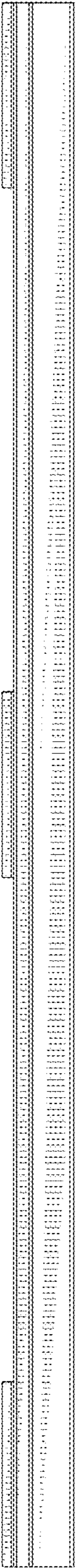


FIG. 6

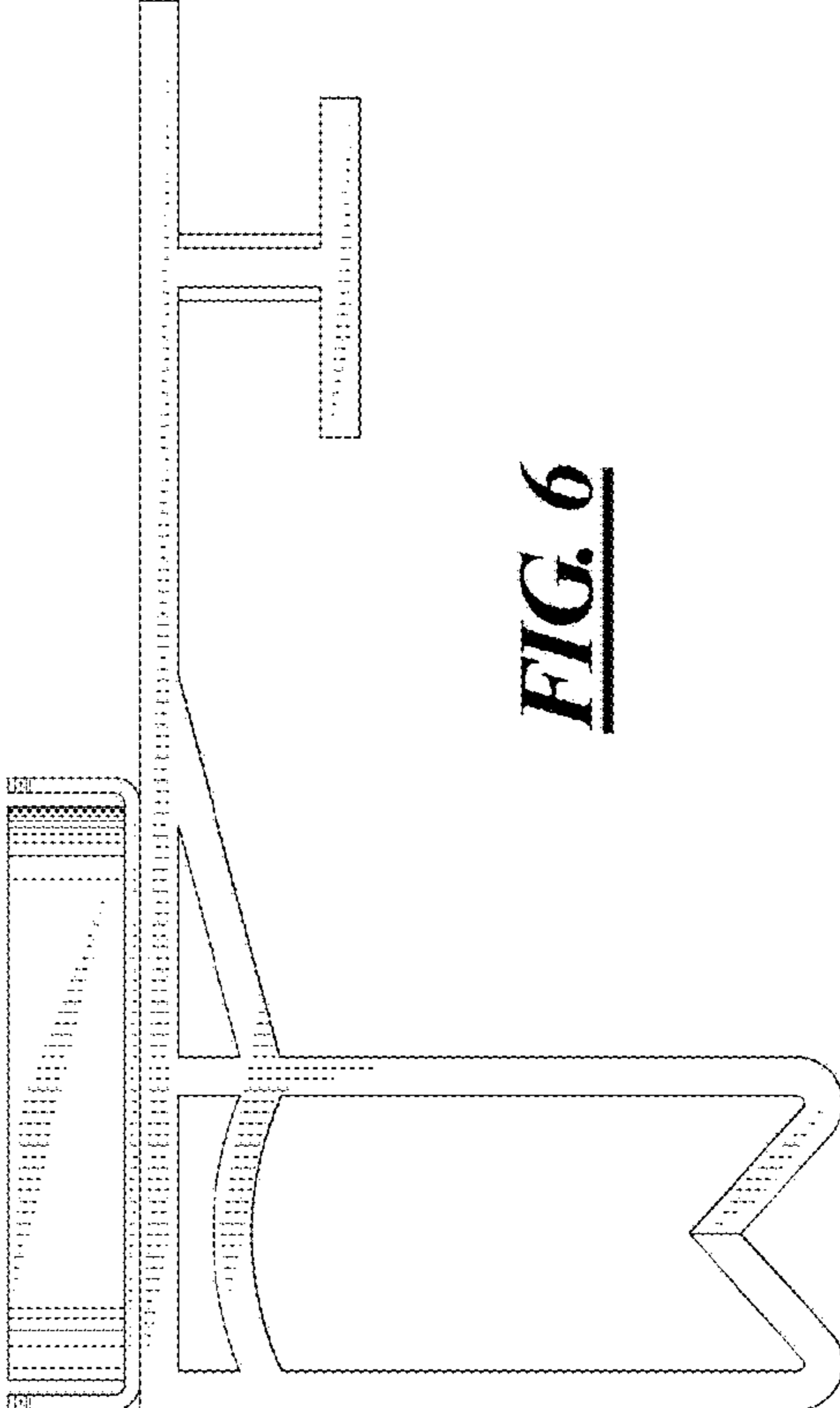


FIG. 7

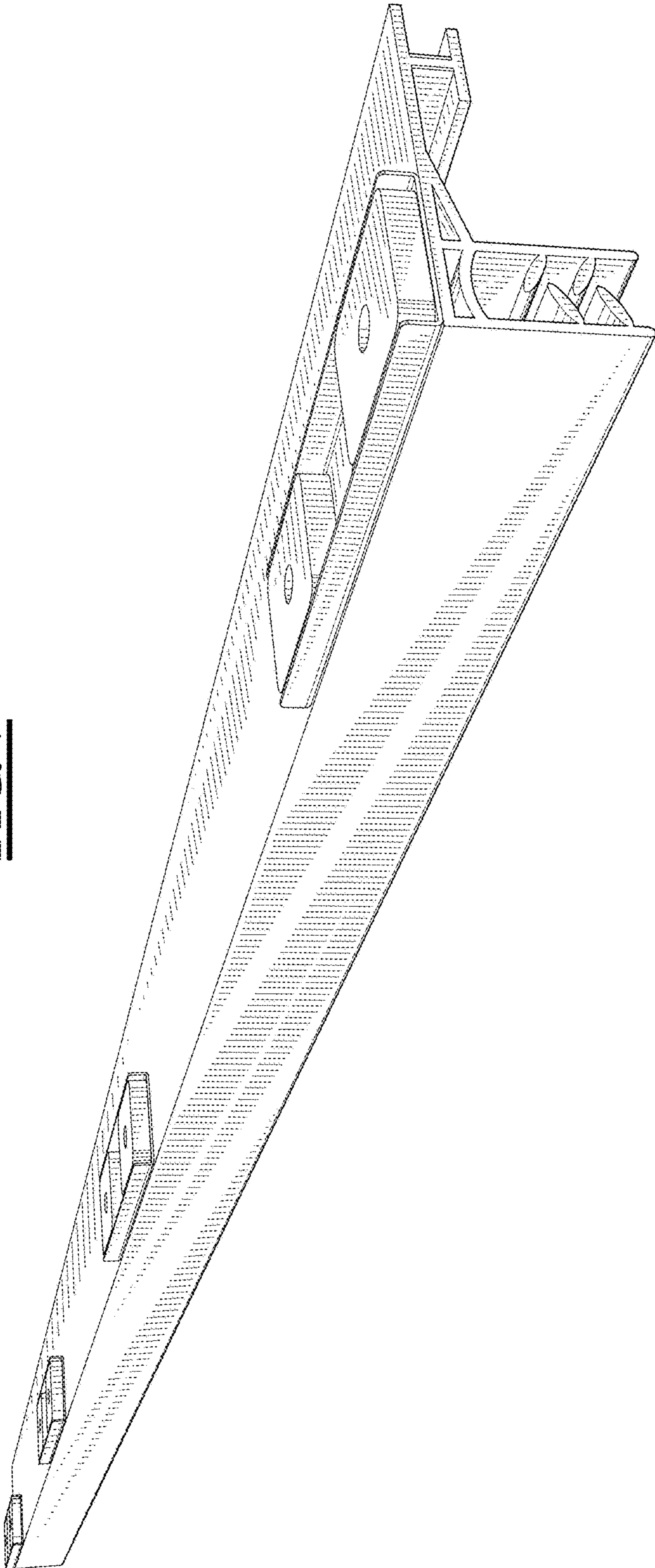


FIG. 8

