



US00D818347S

(12) **United States Design Patent**
Kim

(10) **Patent No.:** **US D818,347 S**

(45) **Date of Patent:** **** May 22, 2018**

(54) **ELECTRONIC KEY**

(71) Applicant: **Bum Soo Kim**, Namyangju-si (KR)

(72) Inventor: **Bum Soo Kim**, Namyangju-si (KR)

(**) Term: **15 Years**

(21) Appl. No.: **29/599,027**

(22) Filed: **Mar. 30, 2017**

(30) **Foreign Application Priority Data**

Oct. 7, 2016 (KR) 30-2016-0048346

(51) **LOC (11) Cl.** **08-07**

(52) **U.S. Cl.**
USPC **D8/346**

(58) **Field of Classification Search**
USPC D8/347, 348, 346, 343; 70/456 R, 429,
70/430, 448, 449, 336, 431, 465, 6, 57.1,
70/271, 277, 344

CPC ... E05B 19/00; E05B 19/00002; B60R 25/24;
B60R 25/21; B60R 25/248; B60R 25/209;
G05B 1/01

See application file for complete search history.

(56) **References Cited**

U.S. PATENT DOCUMENTS

D407,007 S * 3/1999 Sacco D13/182
D442,061 S * 5/2001 Harris D8/346

D458,017 S * 6/2002 Yehudai D3/209
D495,585 S * 9/2004 Osada D8/347
D557,111 S * 12/2007 Ydremark D13/168
8,598,981 B2 * 12/2013 Idsoe G06F 21/32
340/5.4
8,921,721 B2 * 12/2014 Senzaki G07C 9/00944
200/5 A
9,133,649 B2 * 9/2015 Taylor E05B 47/0001
9,134,727 B2 * 9/2015 Monig G05B 23/0218
9,659,425 B2 * 5/2017 Falk G07F 7/125
9,696,691 B2 * 7/2017 Menard G07C 9/00944
9,725,070 B2 * 8/2017 Krishnan B60R 25/24

* cited by examiner

Primary Examiner — Prabhakar Deshmukh

(74) *Attorney, Agent, or Firm* — Novick, Kim & Lee,
PLLC; Sang Ho Lee

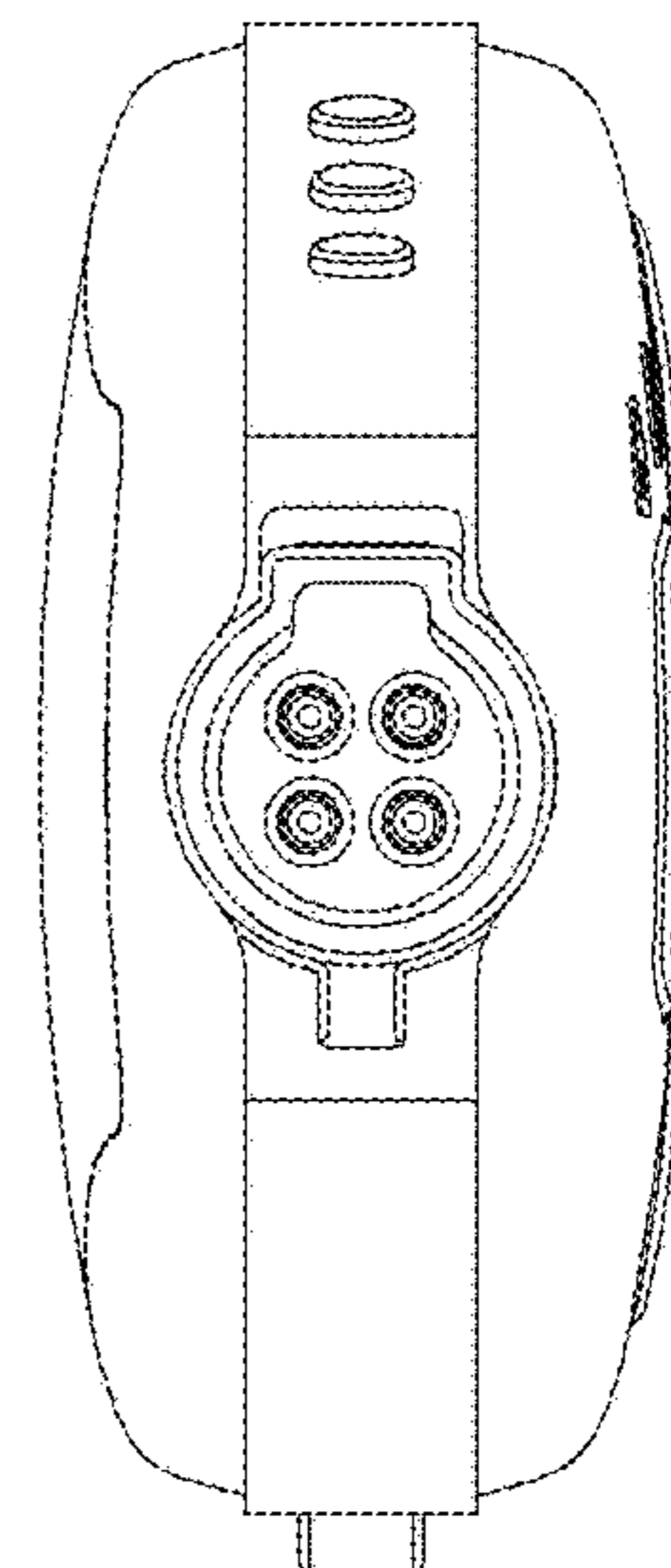
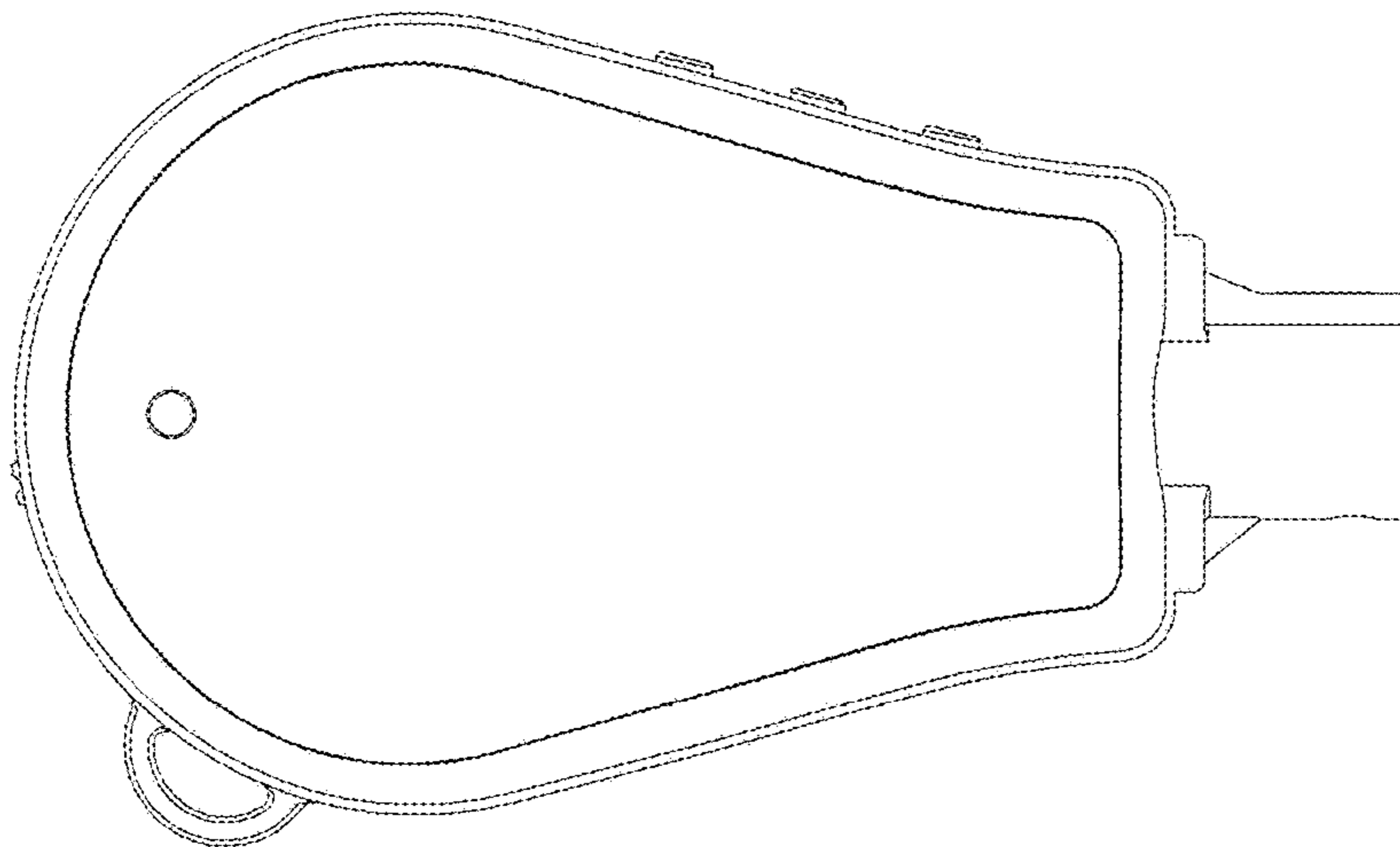
(57) **CLAIM**

I claim the ornamental design for an electronic key, as shown and described.

DESCRIPTION

FIG. 1 is a perspective view of an electronic key according to my new design;
FIG. 2 is a front elevational view thereof;
FIG. 3 is a rear elevational view thereof;
FIG. 4 is a left side elevational view thereof;
FIG. 5 is a right side elevational view thereof;
FIG. 6 is a top plan view thereof; and,
FIG. 7 is a bottom plan view thereof.

1 Claim, 4 Drawing Sheets



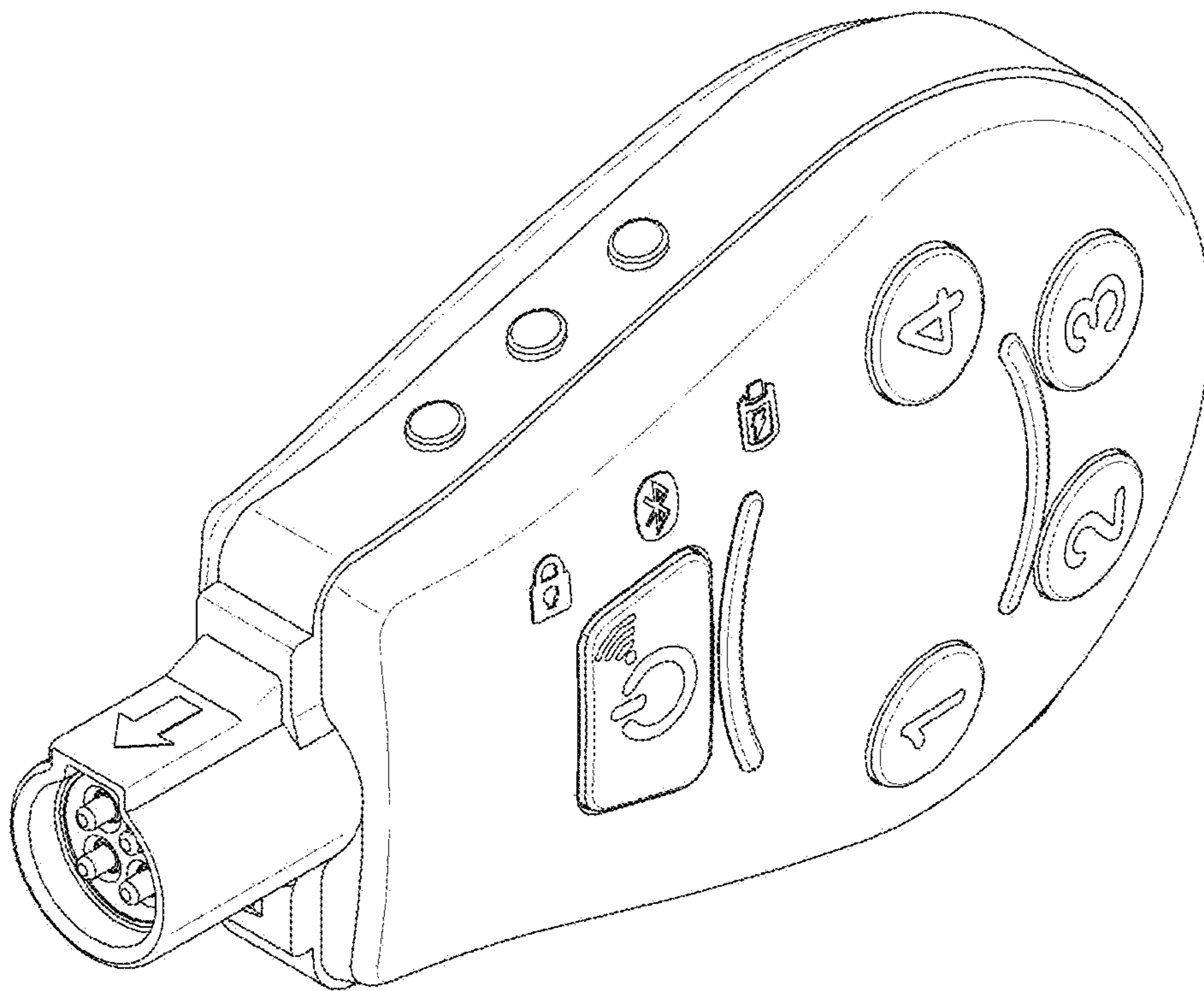


FIG. 1

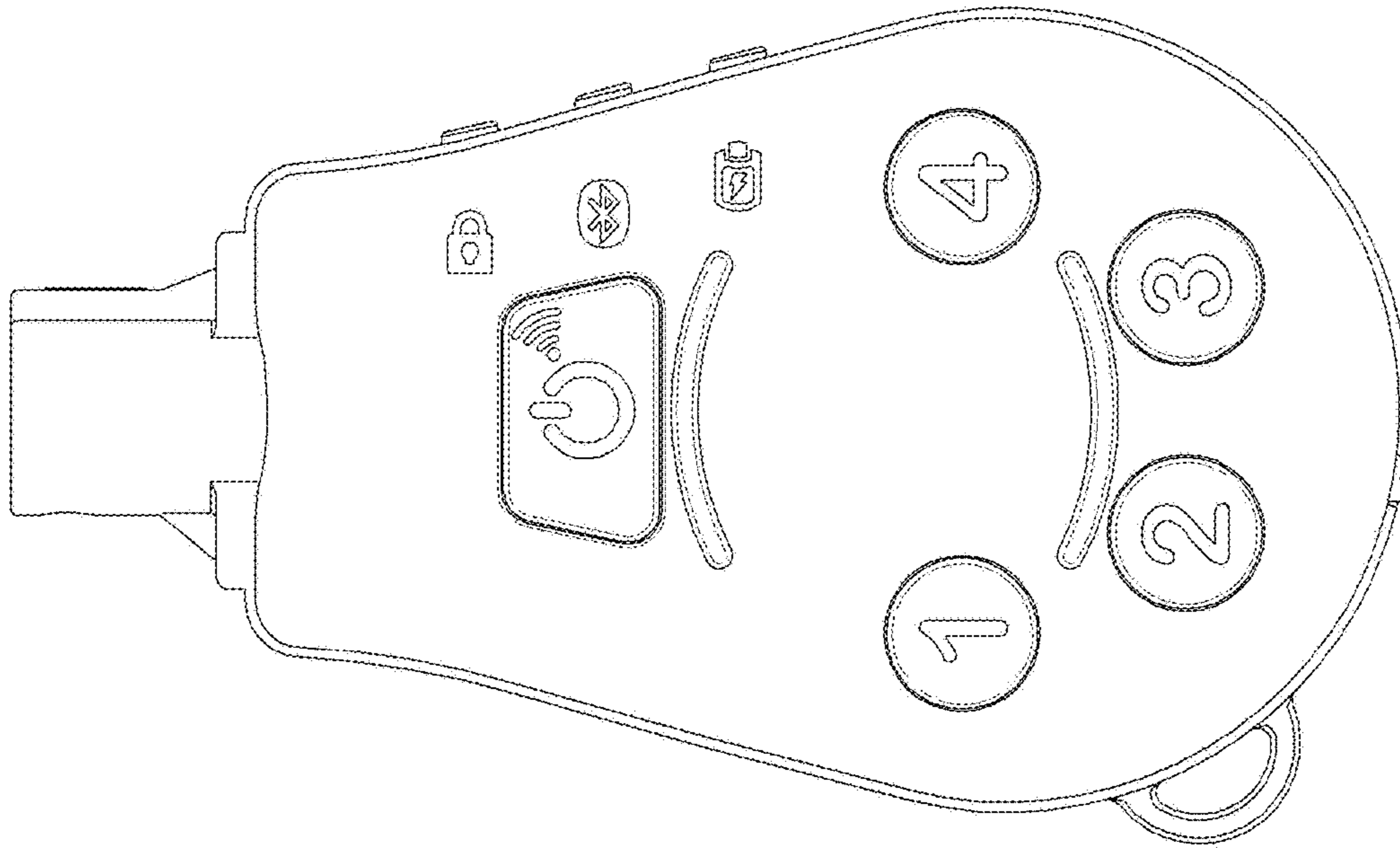


FIG. 2

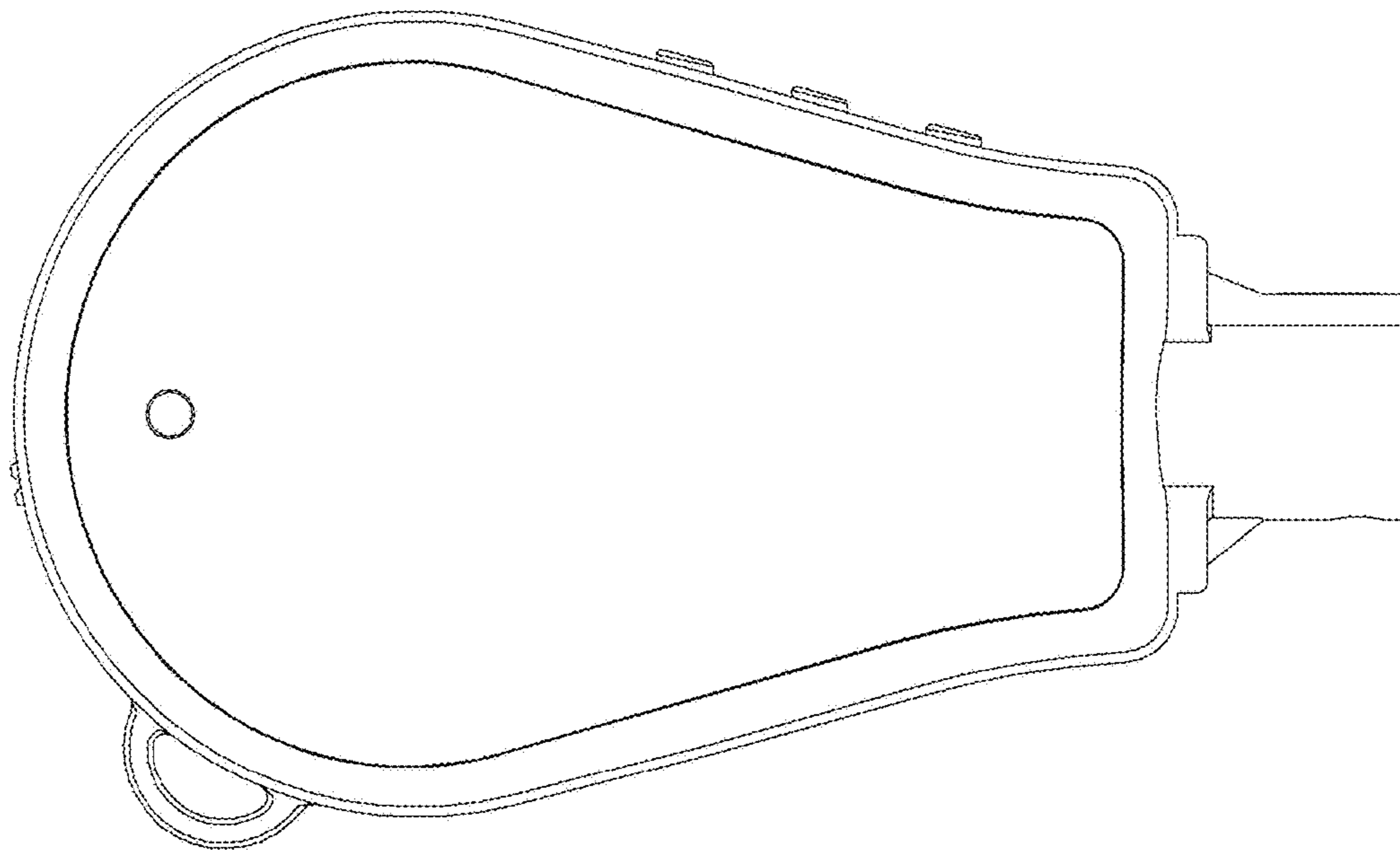


FIG. 3

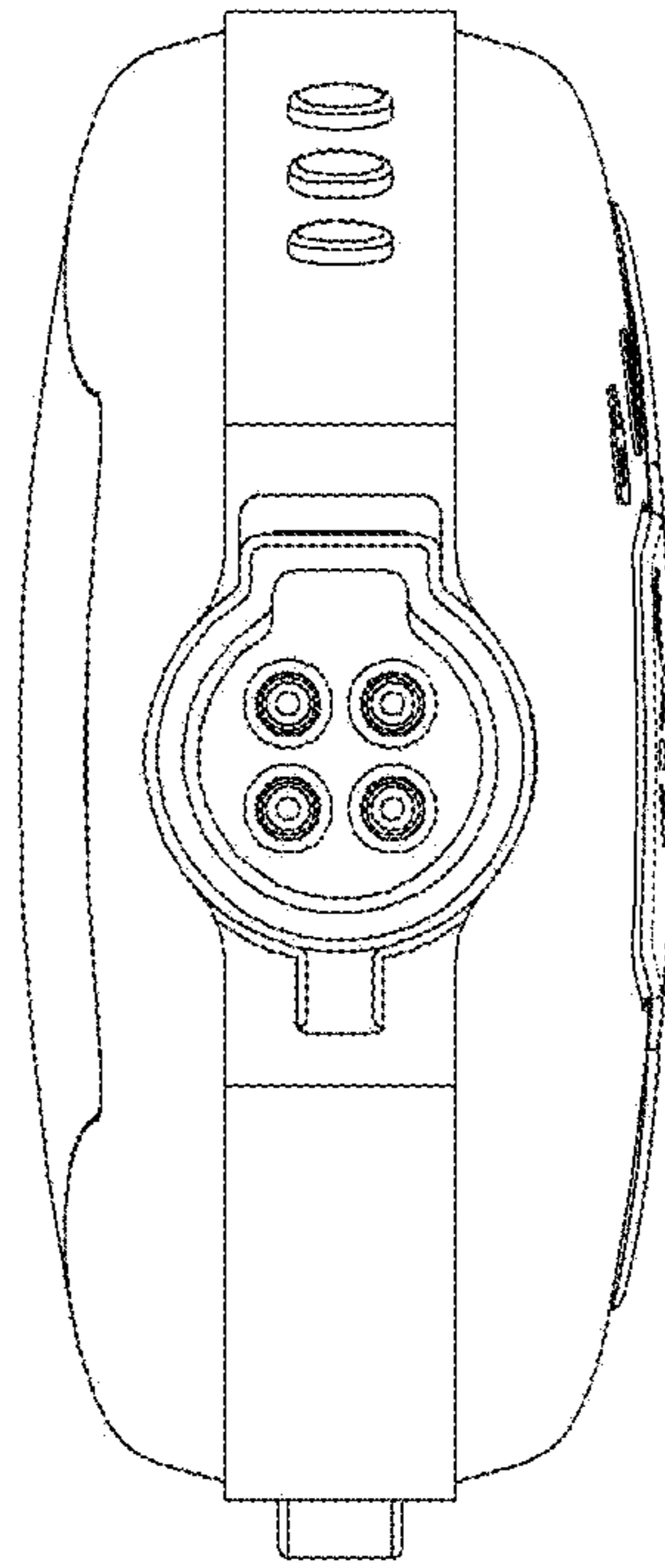


FIG. 4

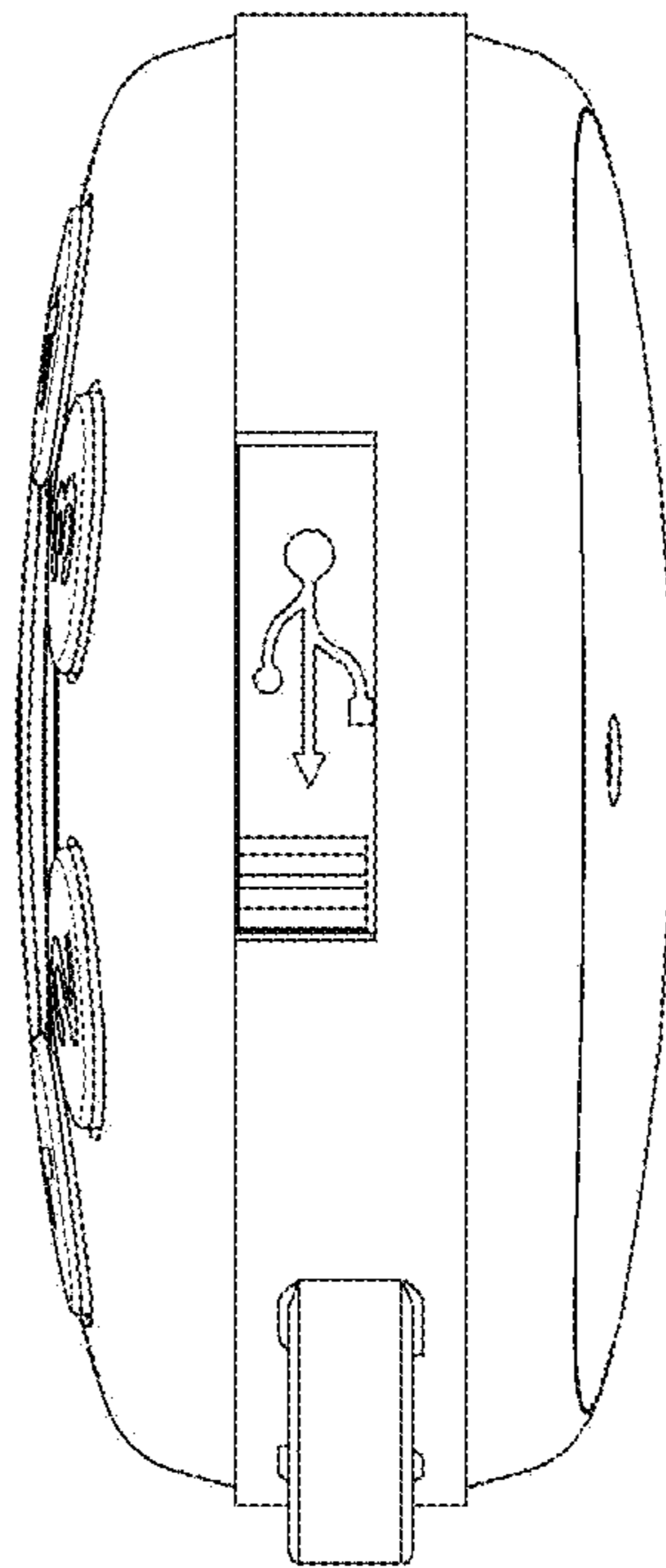


FIG. 5

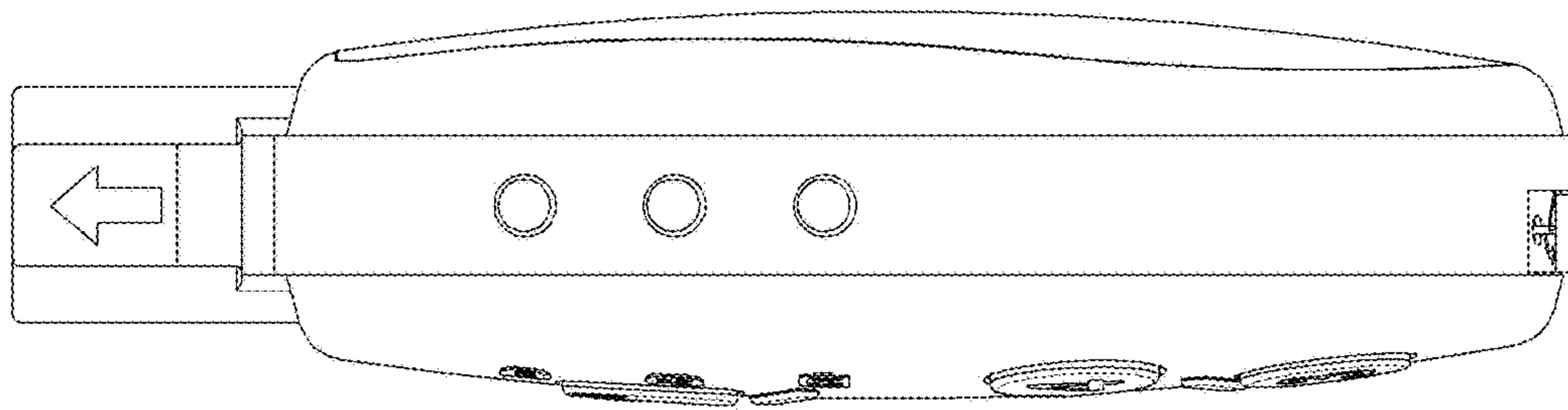


FIG. 6

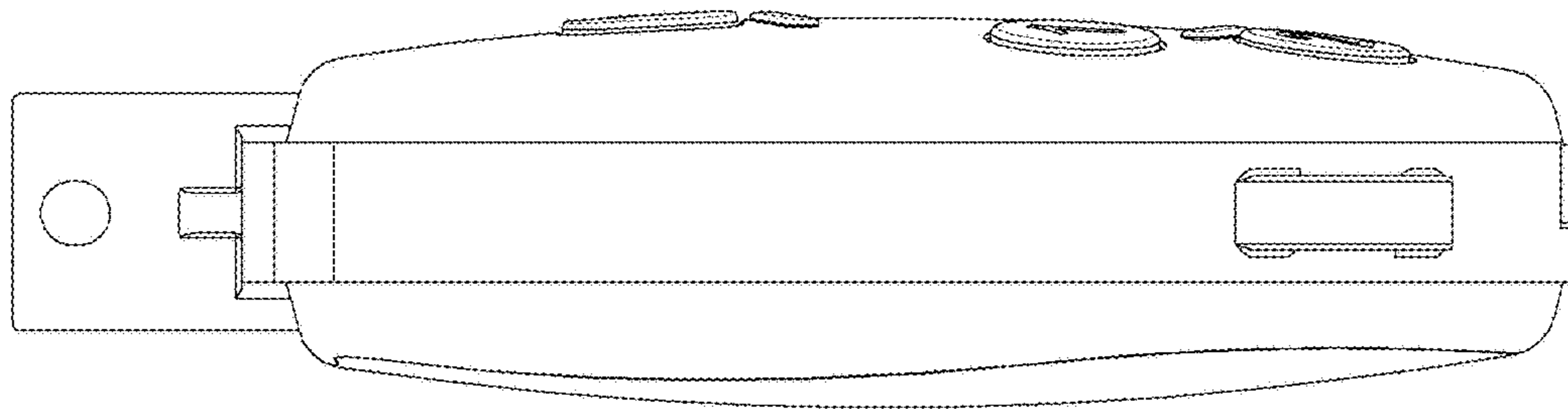


FIG. 7