



US00D818346S

(12) **United States Design Patent** (10) **Patent No.:** **US D818,346 S**  
**Fox** (45) **Date of Patent:** **\*\* May 22, 2018**

(54) **DOOR CLOSURE ASSEMBLY**

FOREIGN PATENT DOCUMENTS

(71) Applicant: **Art Design Works LLC**, Lexington, MA (US)

EP 1502536 B1 9/2005  
EP 2873581 A1 5/2015

(Continued)

(72) Inventor: **Henry Fox**, Newburyport, MA (US)

OTHER PUBLICATIONS

(73) Assignee: **Art Design Works LLC**, Lexington, MA (US)

U.S. Appl. No. 15/493,907, filed Apr. 21, 2017, Fox.

(Continued)

(\*\*) Term: **15 Years**

*Primary Examiner* — Prabhakar G Deshmukh

(21) Appl. No.: **29/598,923**

(74) *Attorney, Agent, or Firm* — Wolf, Greenfield & Sacks, P.C.

(22) Filed: **Mar. 29, 2017**

(51) **LOC (11) Cl.** ..... **08-07**

(52) **U.S. Cl.**

USPC ..... **D8/339**; D8/330; D8/343

(58) **Field of Classification Search**

USPC ..... D8/330, 331, 226, 339, 343, 342, 349, D8/499; 70/14, 51, 52, 57, 57.1, 202, 70/254, 237-239, 245, 247, 249, 258, 70/431, 465, 466; 292/338, 339, 148, 292/346, 259 R, 238; 403/109.1, 109.3, 403/83; 254/DIG. 5; 16/71, 82, 16/362-364; 49/217, 216, 223, 227, 252  
CPC ..... E05C 1/00; E05C 19/18; E05C 19/188; E05C 17/04; F16B 7/10; B60R 25/08; E05D 11/08; E05D 15/10

See application file for complete search history.

(56) **References Cited**

U.S. PATENT DOCUMENTS

2,228,711 A \* 1/1941 Steuber ..... B61D 19/009  
49/215  
2,361,403 A \* 10/1944 Kabot ..... E05F 1/1066  
16/80  
2,573,236 A 10/1951 Whittit  
2,780,458 A 2/1957 Thaxton  
2,828,505 A 4/1958 Hutzelman

(Continued)

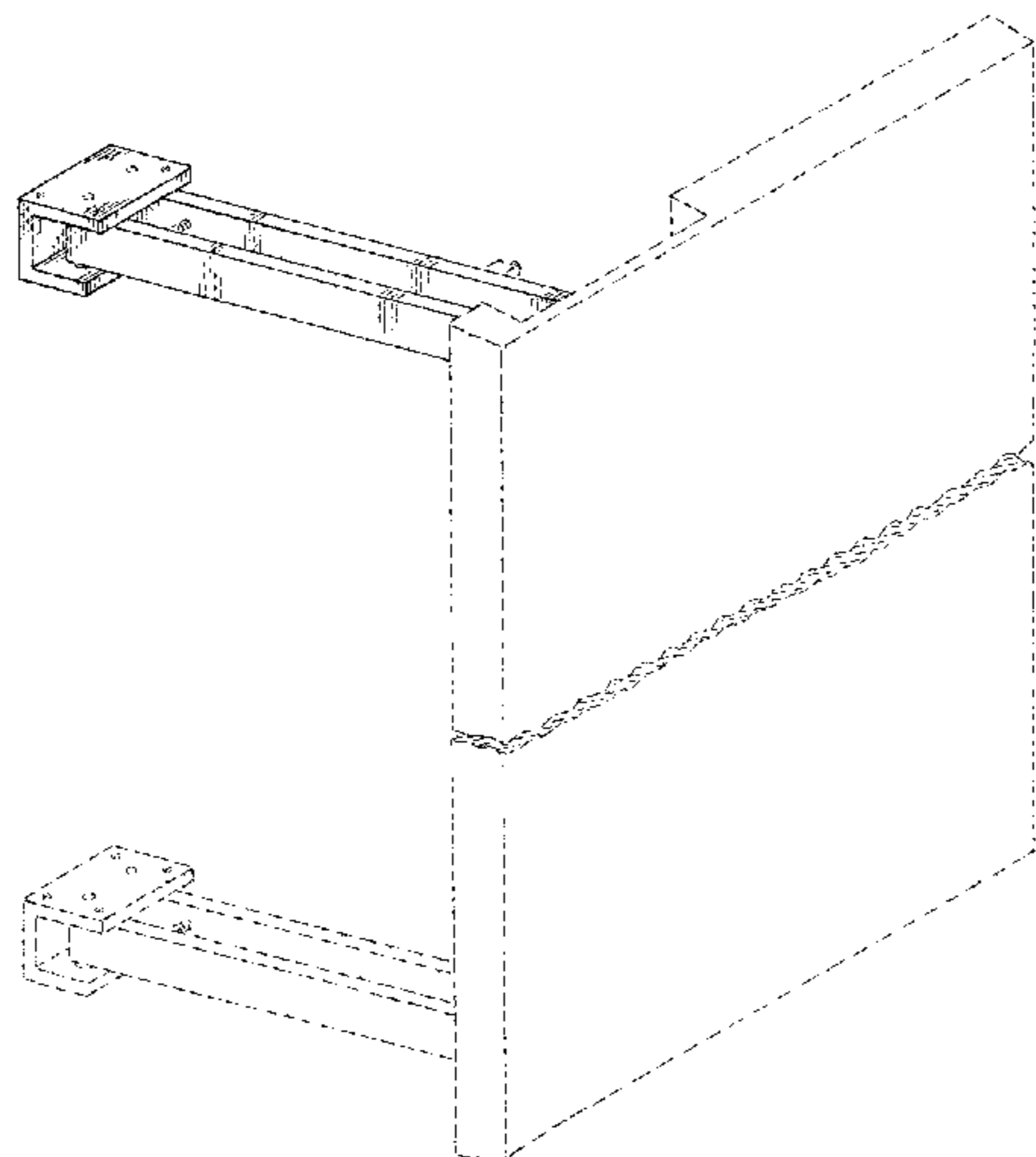
(57) **CLAIM**

The ornamental design for a door closure assembly, as shown and described.

**DESCRIPTION**

FIG. 1 is a top, front, left side perspective view of a door closure assembly showing my new design; FIG. 2 is a top, rear, right side perspective view thereof; FIG. 3 is a front elevation view thereof; FIG. 4 is a rear elevation view thereof; FIG. 5 is a left side elevation view thereof; FIG. 6 is a right side elevation view thereof; FIG. 7 is a top plan view thereof; FIG. 8 is a bottom plan view thereof; FIG. 9 is an enlarged fragmentary bottom view as seen along line 9-9 of FIG. 4; and, FIG. 10 is a top, front, left side perspective view showing the door closure assembly in the environment of a closet. The broken lines shown in FIGS. 1-9 represent portions of the door closure assembly that form no part of the claimed design. The additional broken lines shown in FIG. 10 illustrate environmental matter that forms no part of the claimed design. The appearance of any portion of the door closure assembly between the break lines forms no part of the claimed design.

**1 Claim, 9 Drawing Sheets**



(56)

**References Cited**

U.S. PATENT DOCUMENTS

3,121,251 A 2/1964 Hogedal  
 3,906,668 A 9/1975 Simmons  
 4,268,996 A \* 5/1981 Allen ..... B60J 5/06  
 49/212  
 4,364,201 A \* 12/1982 Taylor ..... E05D 15/44  
 16/341  
 4,454,685 A 6/1984 van der Sloot et al.  
 4,495,729 A \* 1/1985 Britzke ..... B60J 5/062  
 49/212  
 4,571,776 A \* 2/1986 Taylor ..... E05D 15/44  
 16/339  
 4,689,852 A \* 9/1987 Buckley ..... E05D 15/44  
 16/341  
 D371,734 S \* 7/1996 Akers ..... D8/330  
 5,826,923 A \* 10/1998 Bethurem ..... E05C 19/003  
 292/238  
 5,898,977 A 5/1999 Muir  
 5,921,613 A 7/1999 Breunig et al.  
 D632,946 S \* 2/2011 Hartgens ..... E05C 17/30  
 D8/339

D635,435 S \* 4/2011 Yamaguchi ..... D8/330  
 D638,686 S \* 5/2011 Gordon ..... D8/330  
 D789,176 S \* 6/2017 Bruce ..... D8/330  
 2003/0204999 A1 11/2003 George et al.  
 2014/0192504 A1 7/2014 Richard et al.

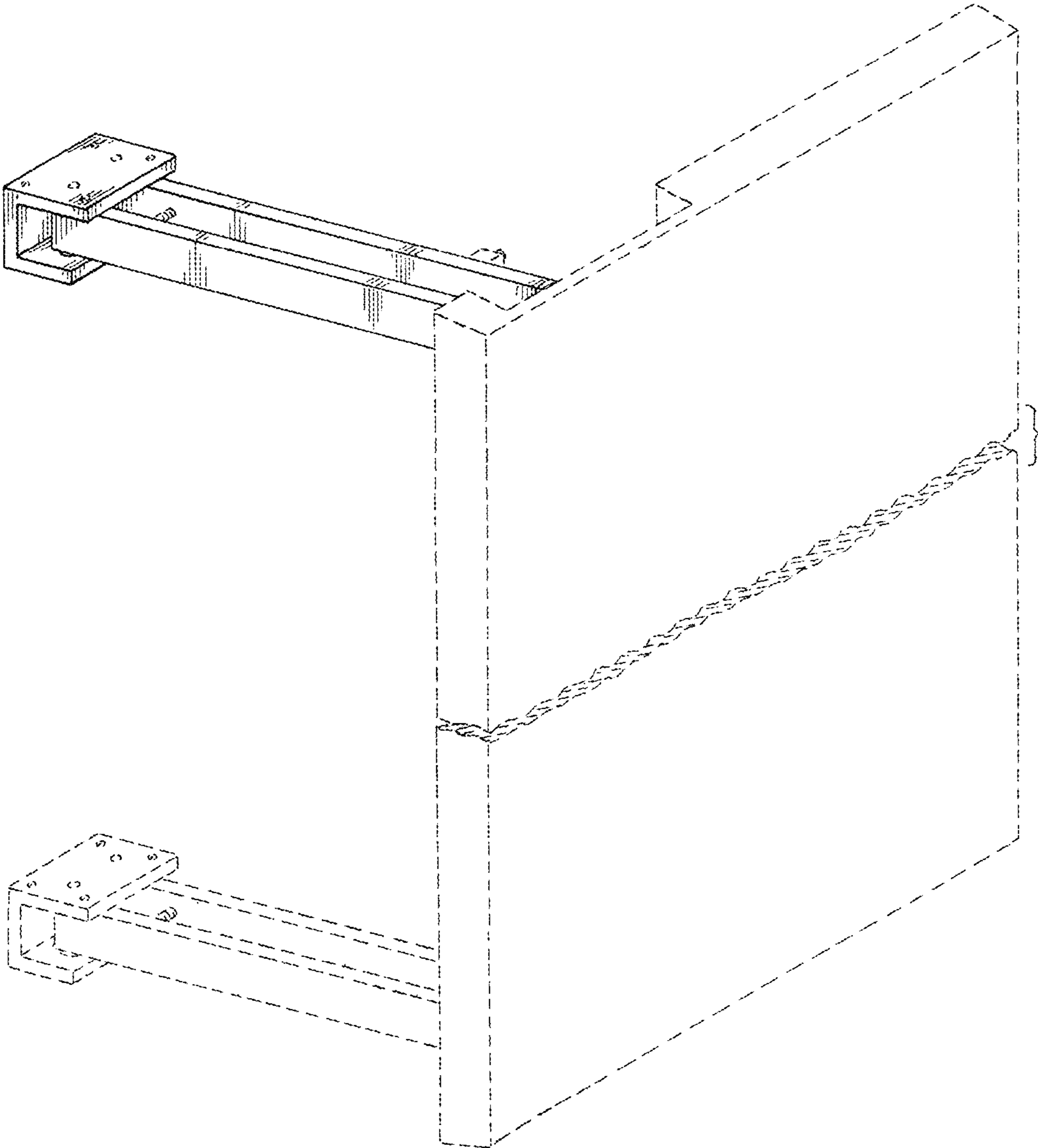
FOREIGN PATENT DOCUMENTS

GB 452679 A 8/1936  
 GB 781969 A 8/1957  
 GB 898134 A 6/1962  
 GB 1114981 A 5/1968  
 GB 1228969 A 4/1971  
 JP 8-121012 A 5/1996

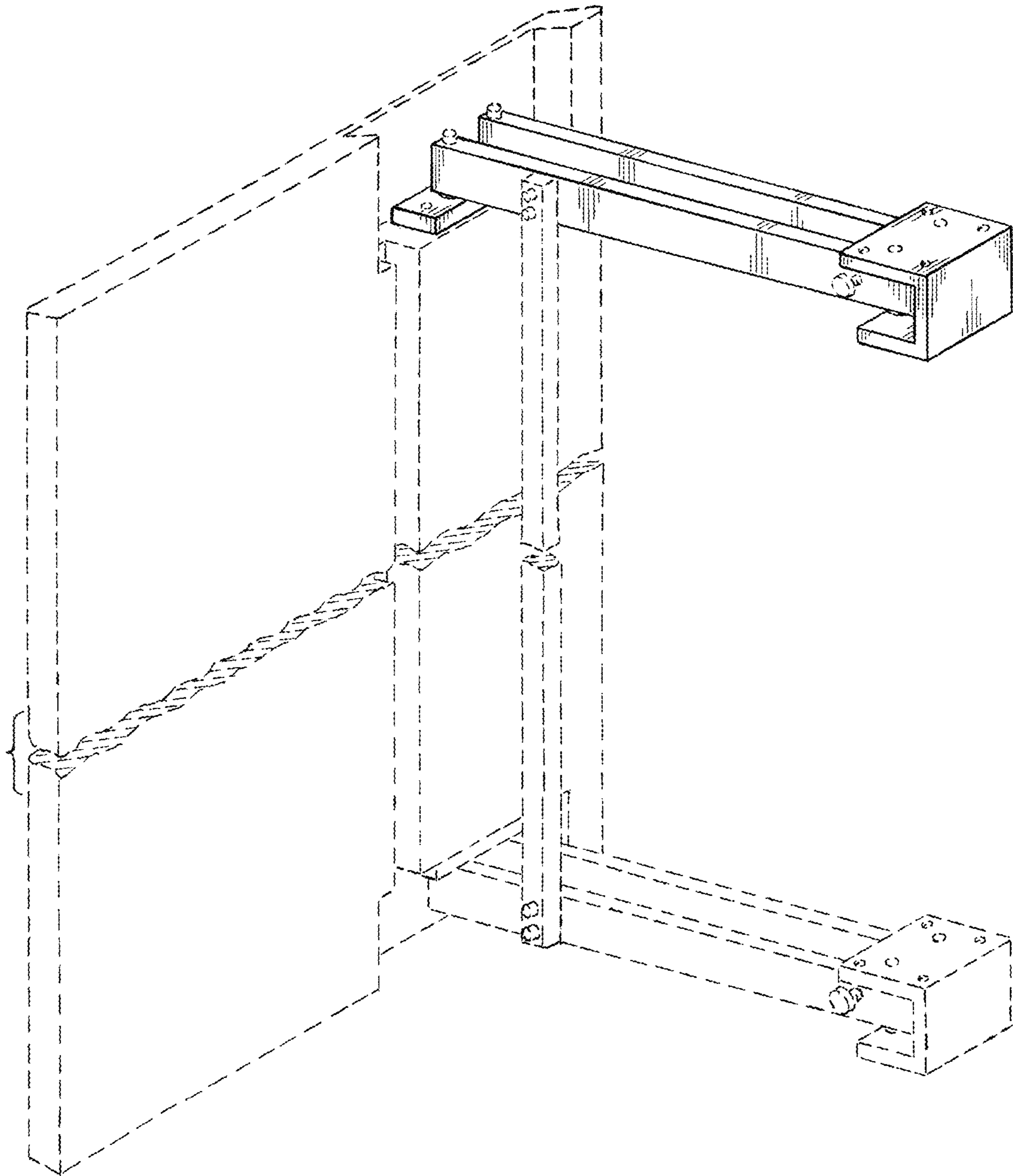
OTHER PUBLICATIONS

U.S. Appl. No. 29/598,924, filed Mar. 29, 2017, Fox.  
 Door Geometries. Figure. Publicly available prior to Mar. 29, 2017.  
 1pg.

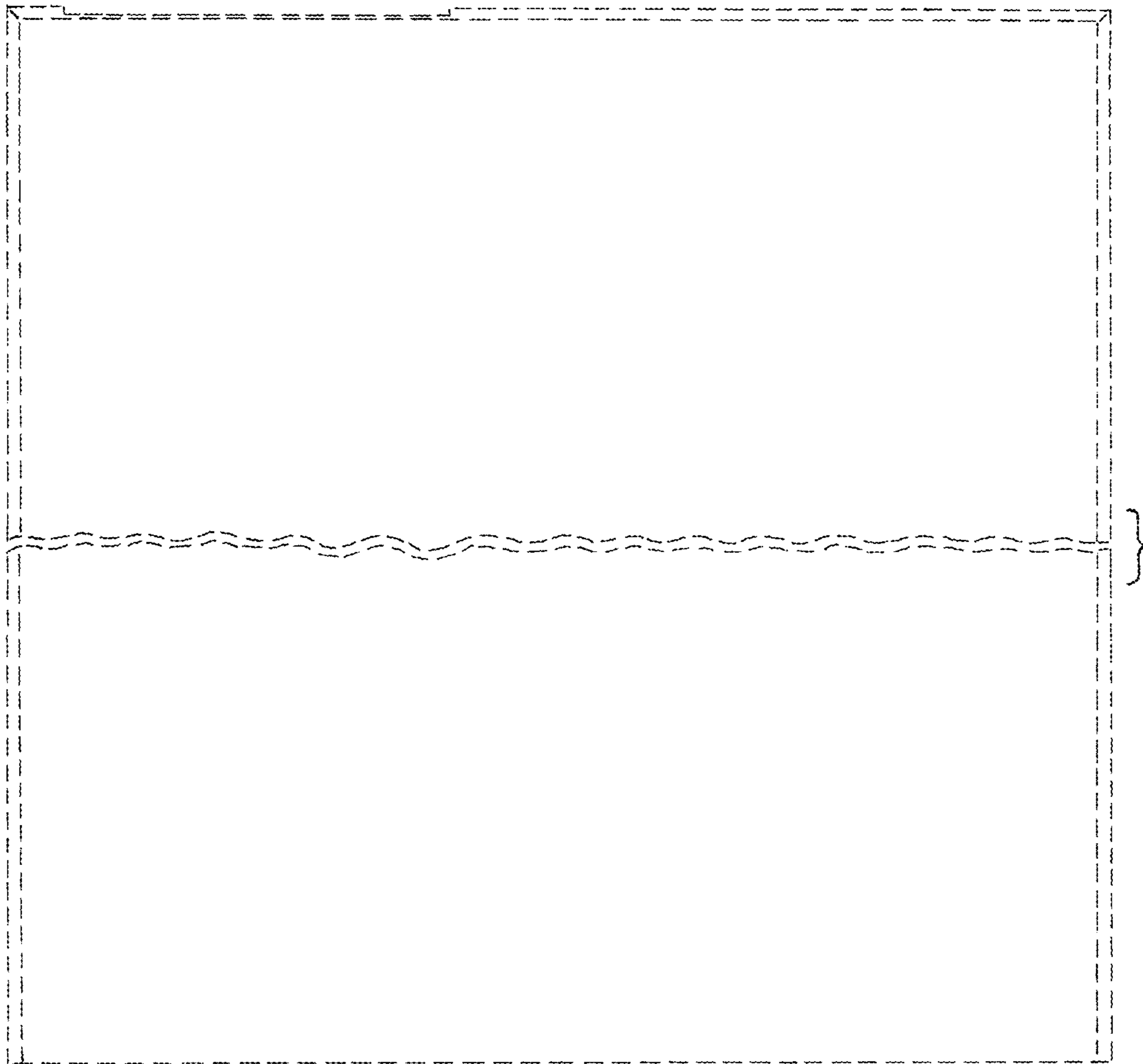
\* cited by examiner



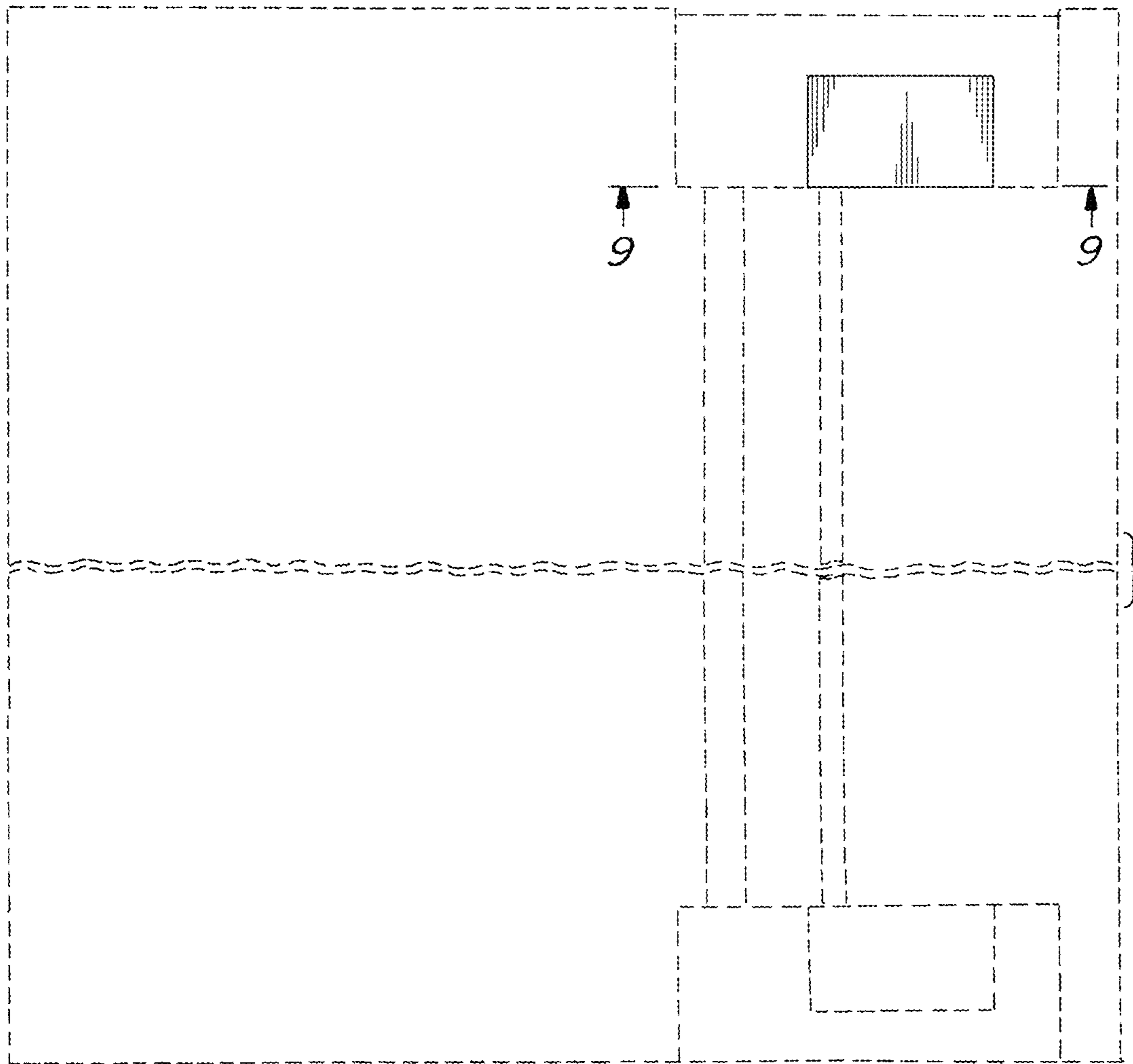
*Fig. 1*



*Fig. 2*

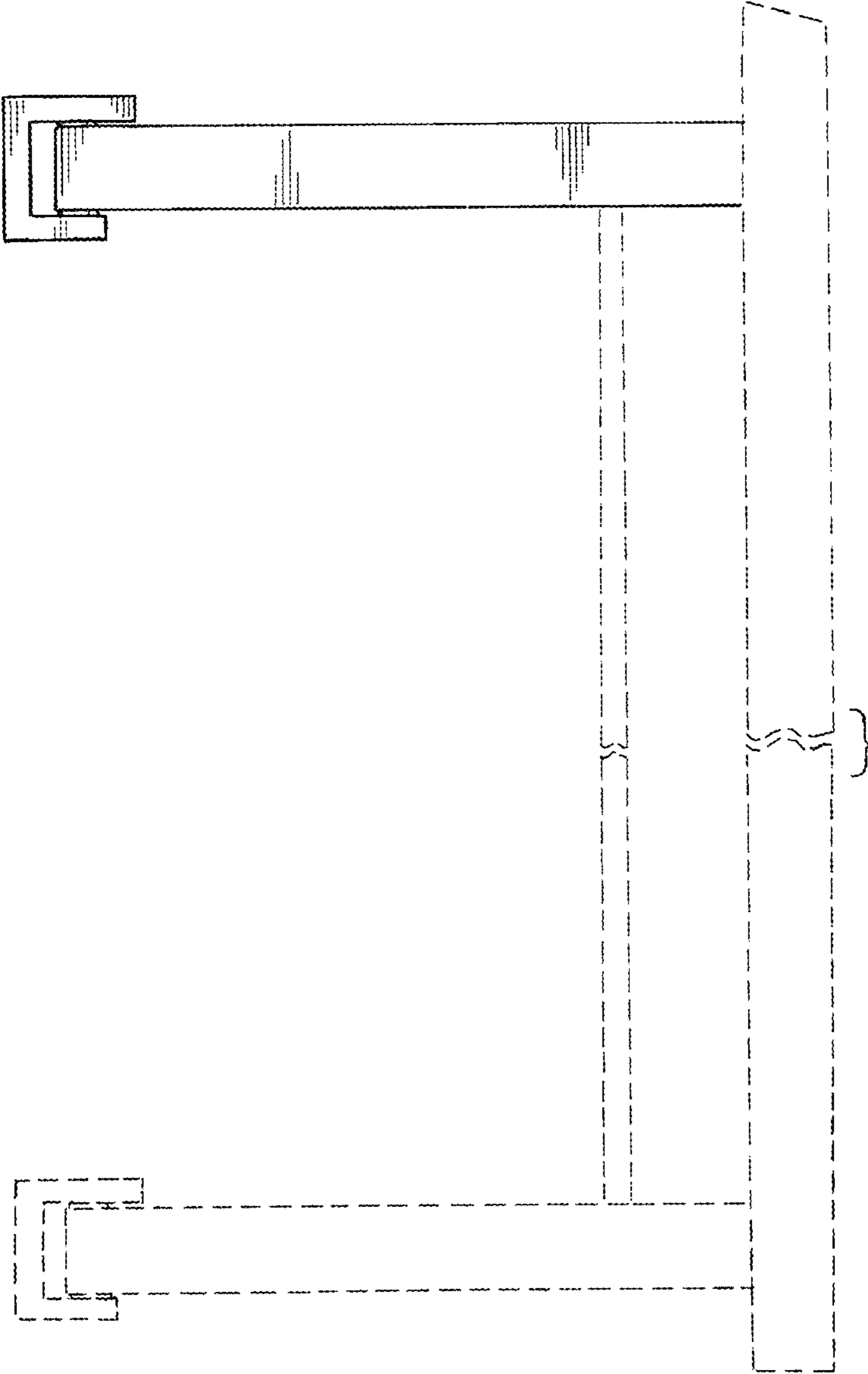


*Fig. 3*

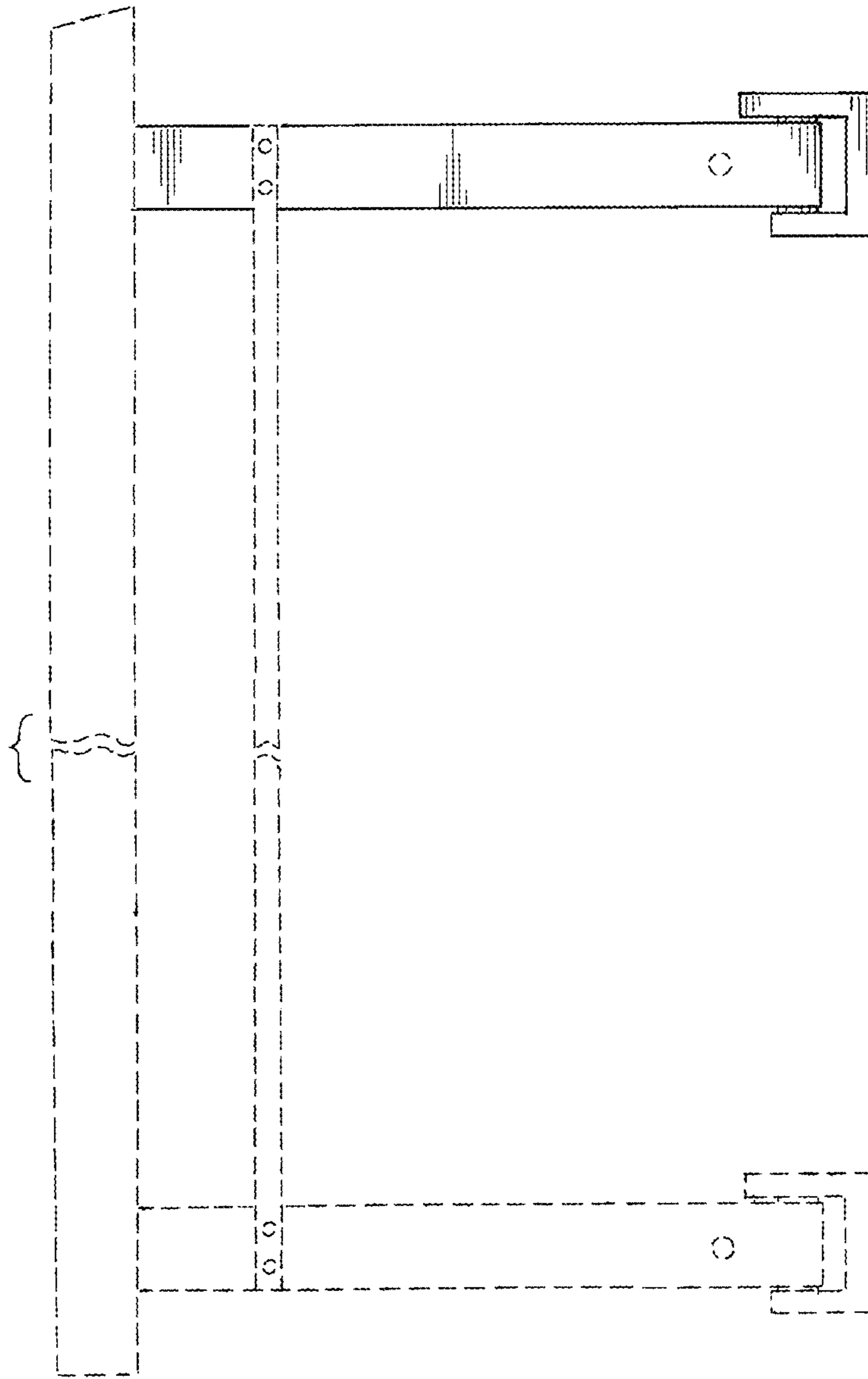


*Fig. 4*



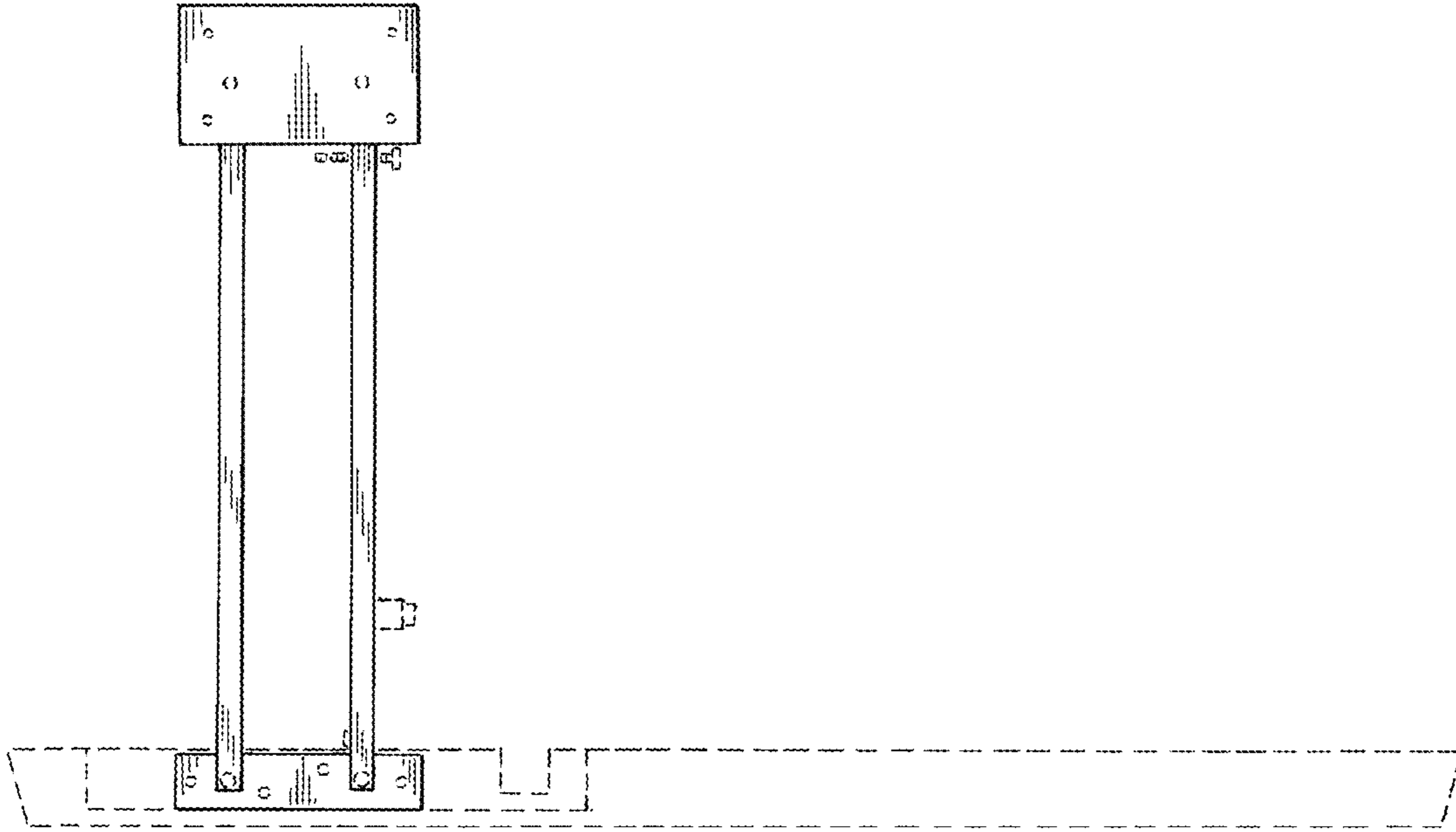


*Fig. 5*

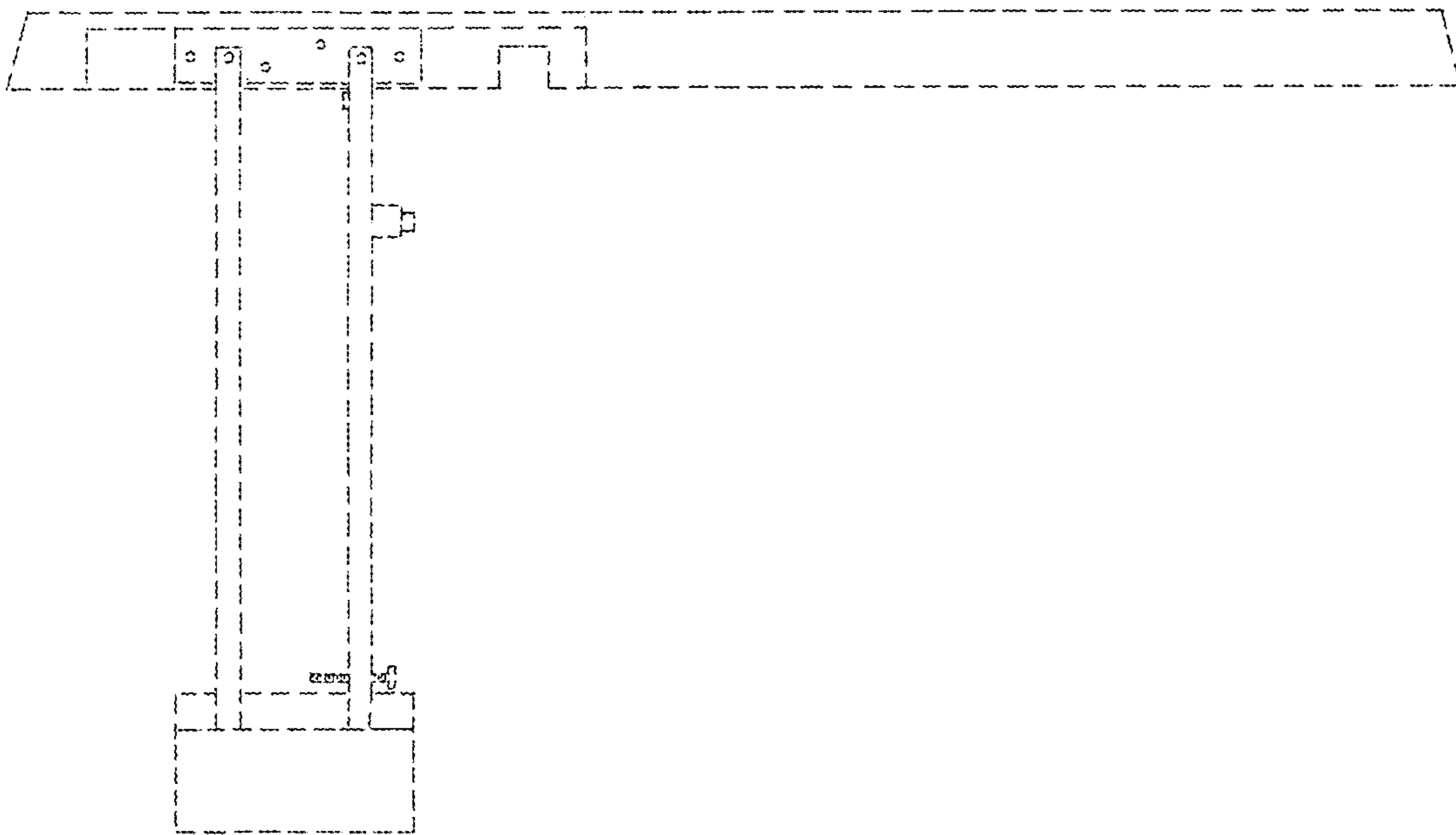


*Fig. 6*

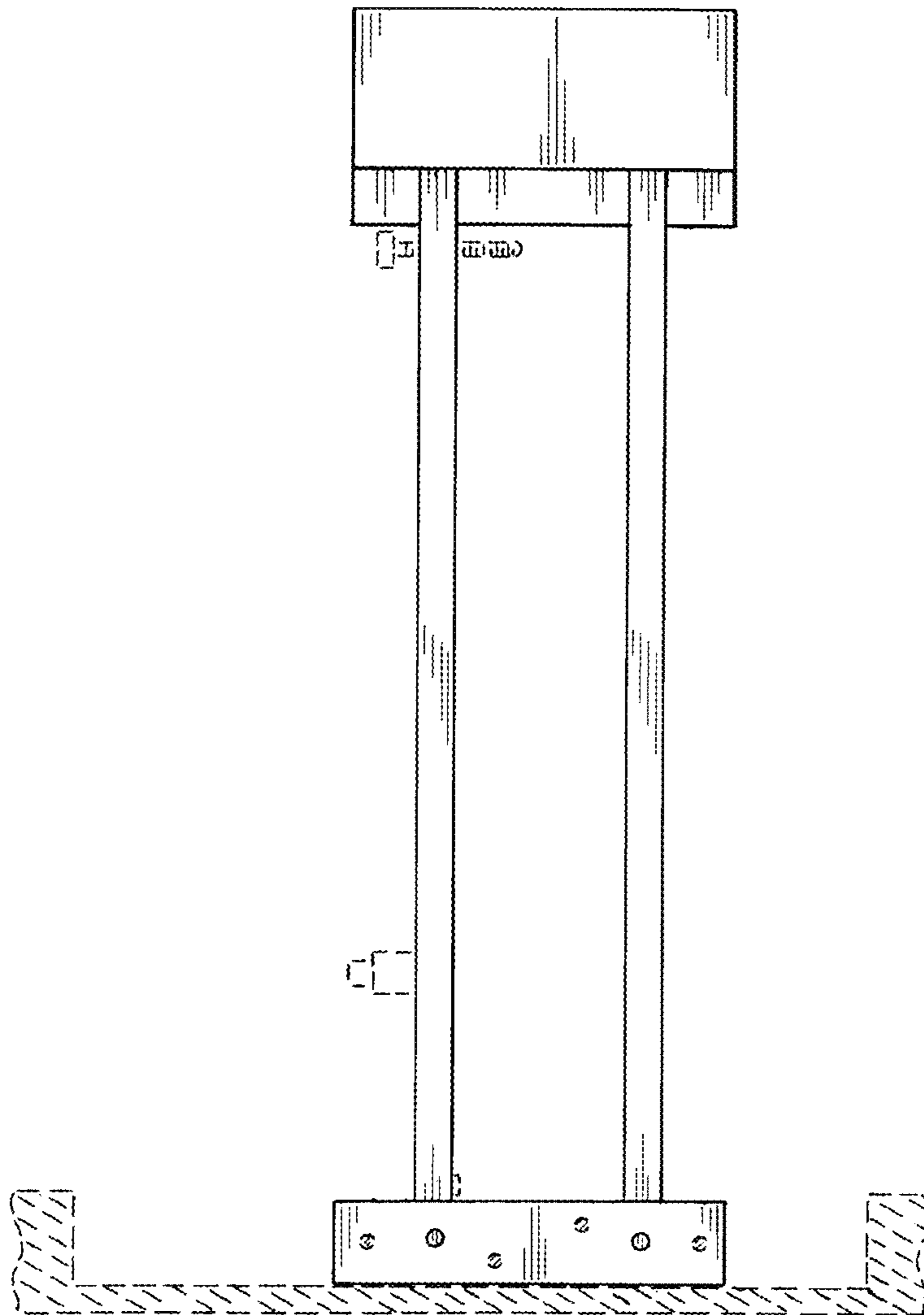




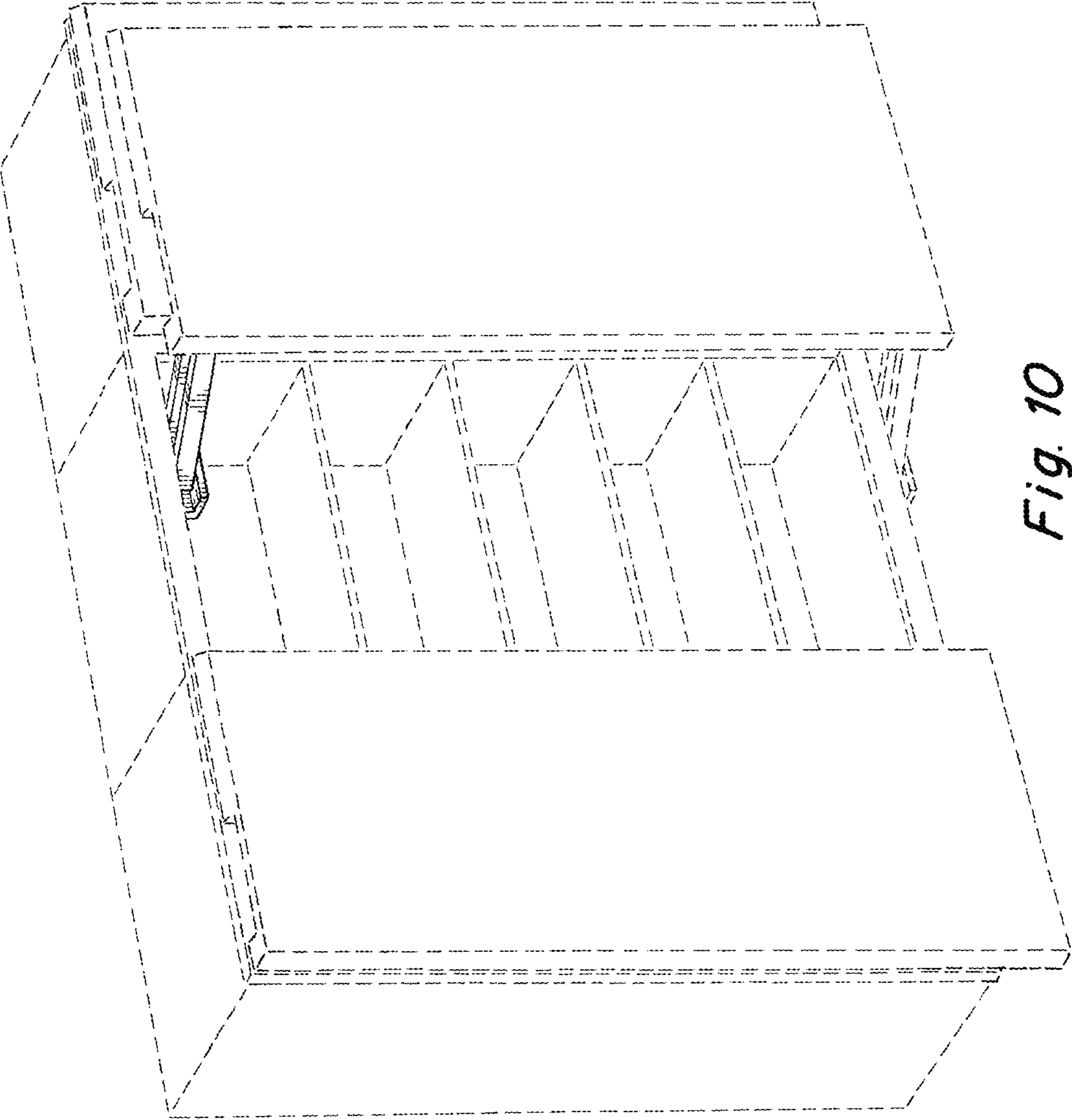
*Fig. 7*



*Fig. 8*



*Fig. 9*



*Fig. 10*