



US00D818344S

(12) **United States Design Patent** (10) **Patent No.:** **US D818,344 S**
Heitz (45) **Date of Patent:** **** *May 22, 2018**

(54) **DOOR CLOSURE WITH SLIDING RAIL**

(71) Applicant: **DORMA Deutschland GmbH**,
Ennepetal (DE)

(72) Inventor: **Bernhard Heitz**, Ennepetal (DE)

(73) Assignee: **DORMAKABA DEUTSCHLAND
GMBH**, Ennepetal (DE)

(*) Notice: This patent is subject to a terminal disclaimer.

(**) Term: **15 Years**

(21) Appl. No.: **29/558,961**

(22) Filed: **Mar. 23, 2016**

(30) **Foreign Application Priority Data**

Sep. 23, 2015 (EM) 002778126-0001

(51) **LOC (11) Cl.** **08-07**

(52) **U.S. Cl.**
USPC **D8/330**

(58) **Field of Classification Search**

USPC D8/330, 331, 336, 338, 339, 340, 343;
70/14, 2, 51, 57, 57.1, 91, 107, 141,
70/276-283, 175, 582, 387, 413, 229,
70/231, 92; 292/2, 32, 137, 288, 289,
292/290, 292, 251.5, 92, 144, 177,
292/DIG. 61; 16/49, 54, 66, 68, 64, 65,
16/50, 71-79, 7

CPC E05C 17/56; E05C 17/32; E05C 17/00;
E05C 15/00; H01H 47/00; G08B 13/08;
E05F 3/00; E05F 3/10; E05F 3/22

See application file for complete search history.

(56) **References Cited**

U.S. PATENT DOCUMENTS

3,663,047 A * 5/1972 Zawadzki E05B 65/1053
292/21
3,905,063 A * 9/1975 Coulter A62C 2/12
16/48.5

(Continued)

Primary Examiner — Prabhakar G Deshmukh

(74) *Attorney, Agent, or Firm* — Cantor Colburn LLP

(57) **CLAIM**

I claim, the ornamental design for a door closure with sliding rail, as shown and described.

DESCRIPTION

The patent or application file contains at least one drawing executed in color. Copies of this patent or patent application publication with color drawing(s) will be provided by the Office upon request and payment of the necessary fee.

FIG. 1 is a bottom, perspective view of a door closure with sliding rail, showing my new design;

FIG. 2 is a bottom, perspective view of another embodiment thereof;

FIG. 3 is a bottom, perspective view of another embodiment thereof;

FIG. 4 is a bottom, perspective view of another embodiment thereof;

FIG. 5 is a bottom, perspective view of another embodiment thereof;

FIG. 6 is a bottom, perspective view of another embodiment thereof;

FIG. 7 is a bottom, perspective view of another embodiment thereof;

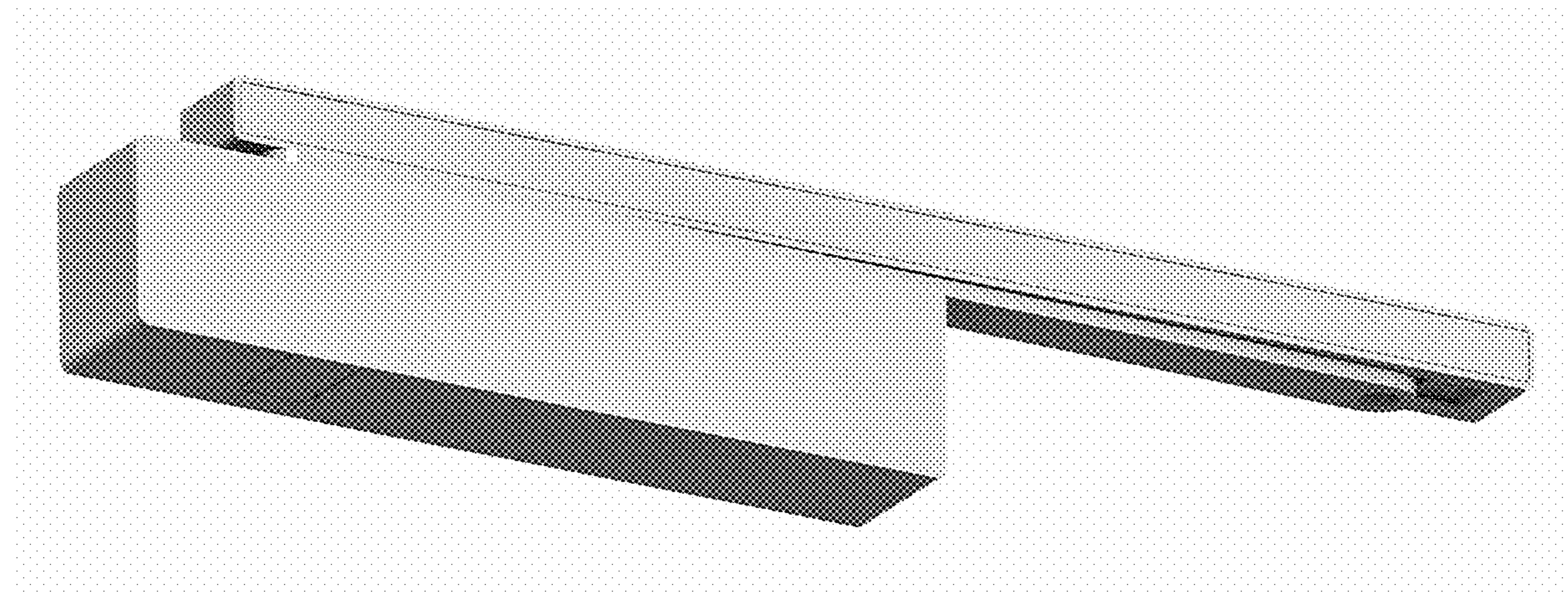
FIG. 8 is a bottom, perspective view of another embodiment thereof;

FIG. 9 is a bottom, perspective view of another embodiment thereof;

FIG. 10 is a top, perspective view of another embodiment thereof; and,

FIG. 11 is a bottom, perspective view of another embodiment thereof.

1 Claim, 11 Drawing Sheets
(10 of 11 Drawing Sheet(s) Filed in Color)



(56)

References Cited

U.S. PATENT DOCUMENTS

4,086,681 A * 5/1978 Nakanishi E05F 3/00
16/49
4,763,384 A * 8/1988 Watabe E05F 3/104
16/53
5,313,739 A * 5/1994 Nelson E05F 1/16
16/72
5,412,961 A * 5/1995 Cain E05B 63/0065
292/92
D429,992 S * 8/2000 Ginzel D8/330
6,205,825 B1 * 3/2001 Haeck E05B 17/06
292/DIG. 53
6,421,876 B1 * 7/2002 Ginzel E05F 3/00
16/59
D491,787 S * 6/2004 Homberg D8/330
D604,585 S * 11/2009 Veltz D8/302
D647,780 S * 11/2011 Kaluza D8/330
D658,034 S * 4/2012 Kaluza D8/330

* cited by examiner

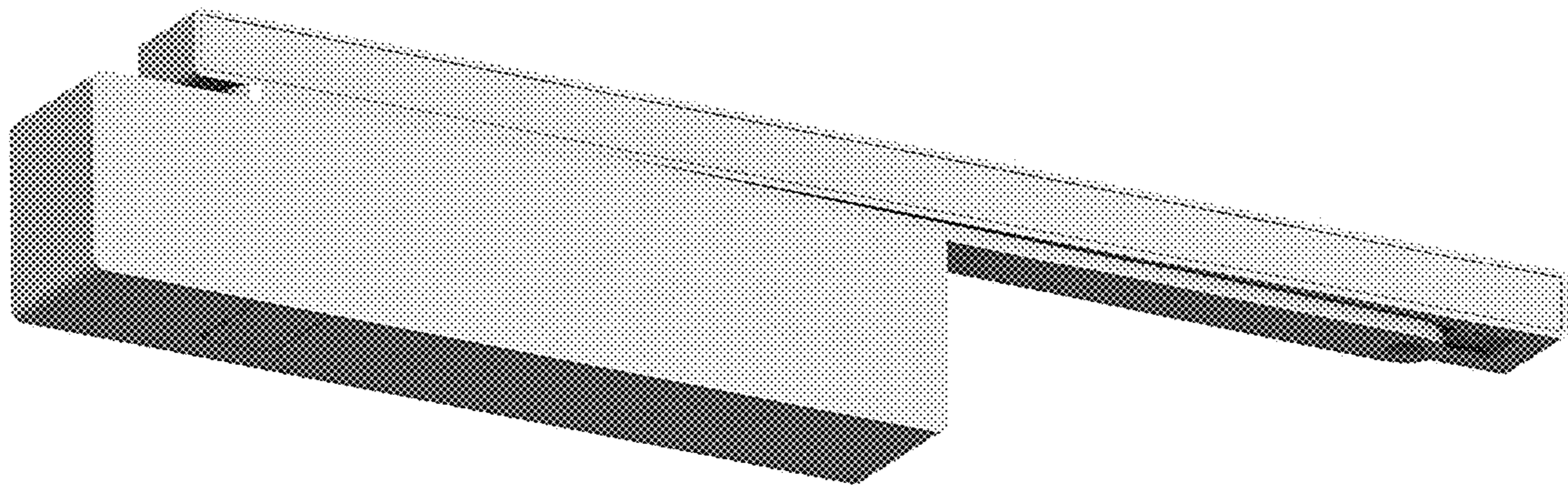


FIG. 1

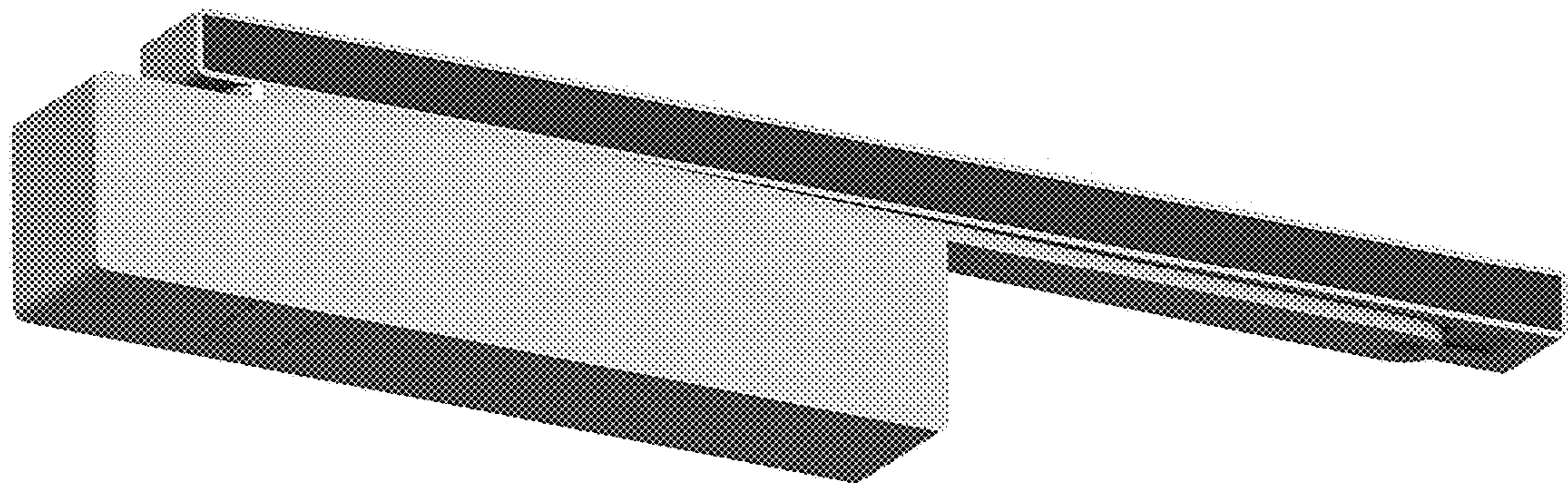


FIG. 2

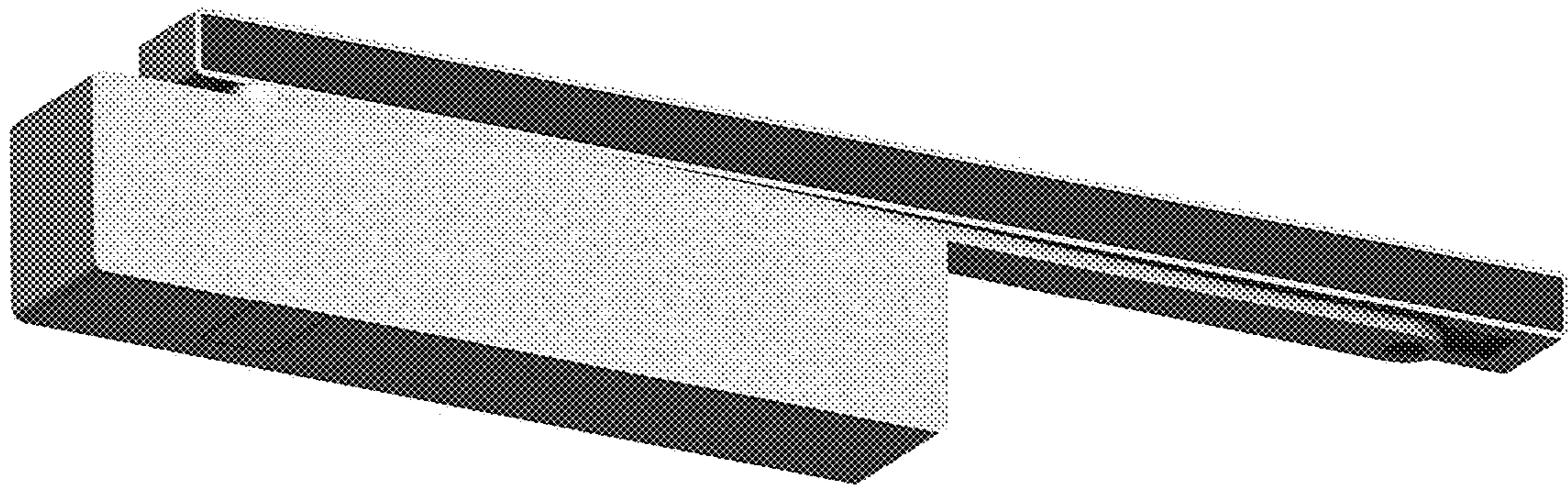


FIG. 3

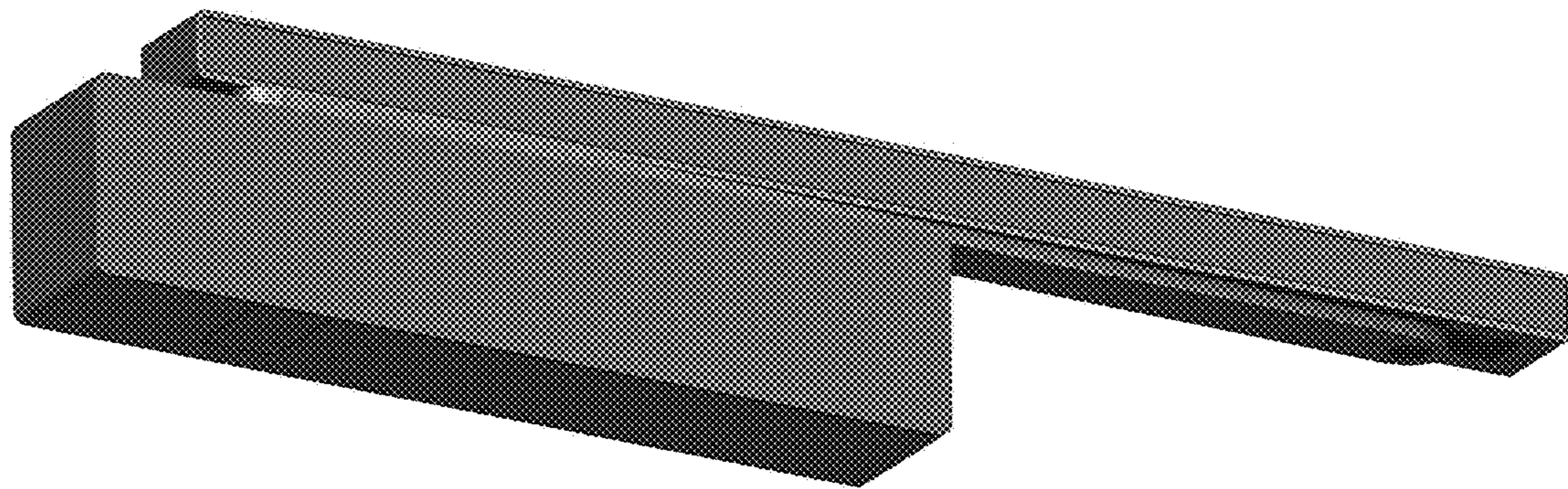


FIG. 4

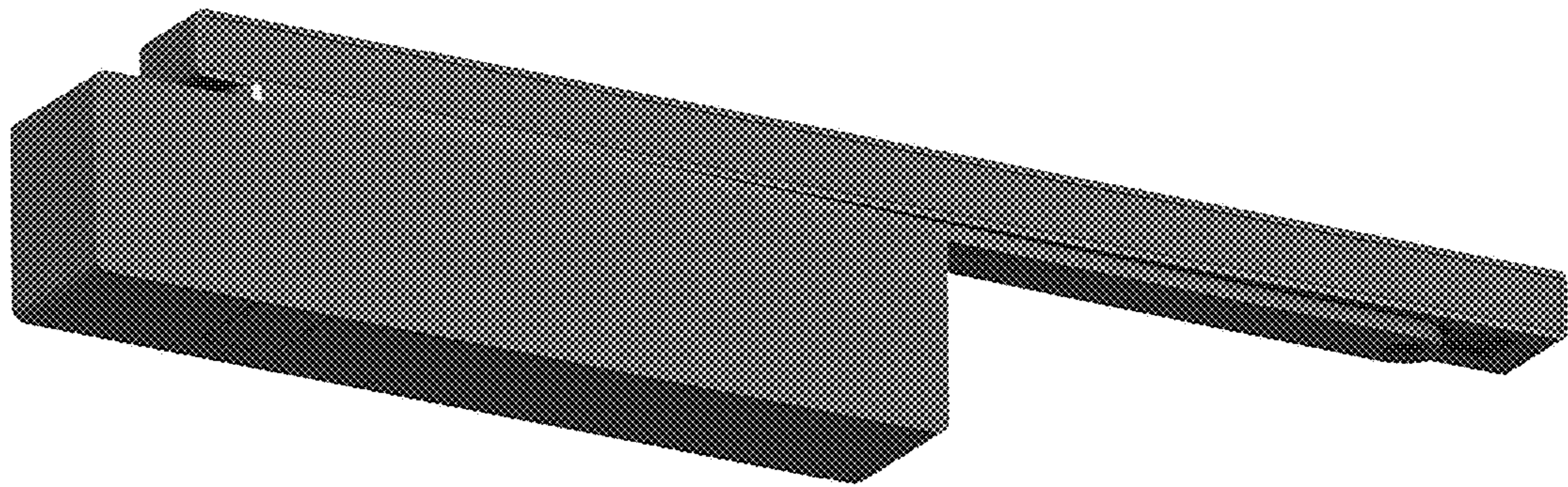


FIG. 5

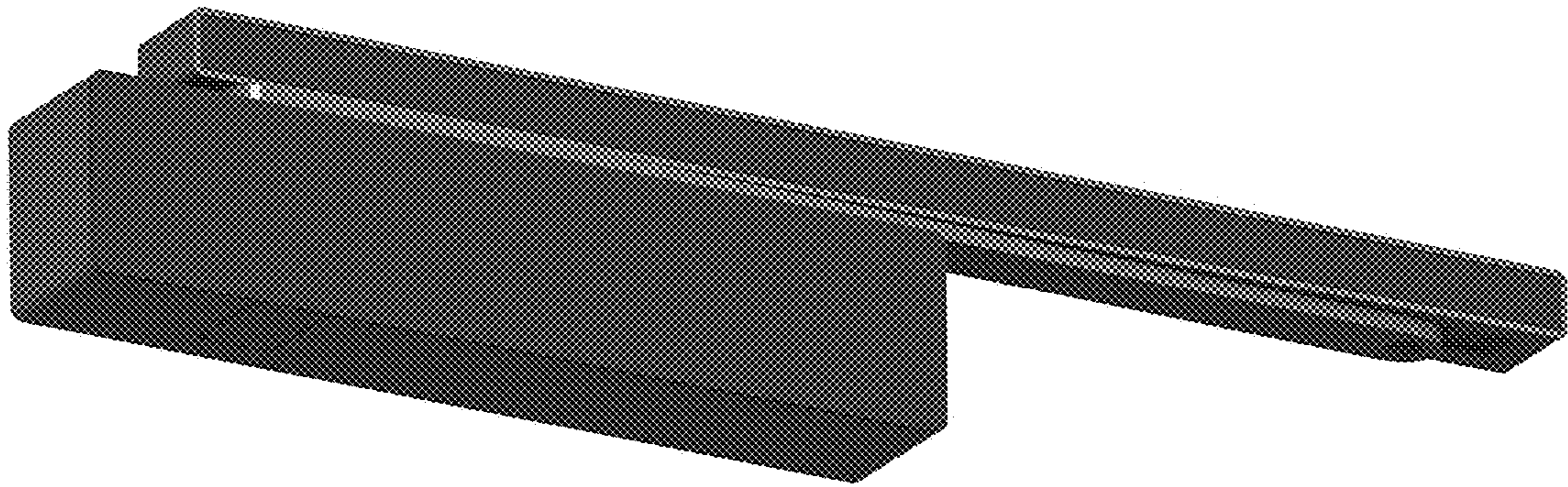


FIG. 6

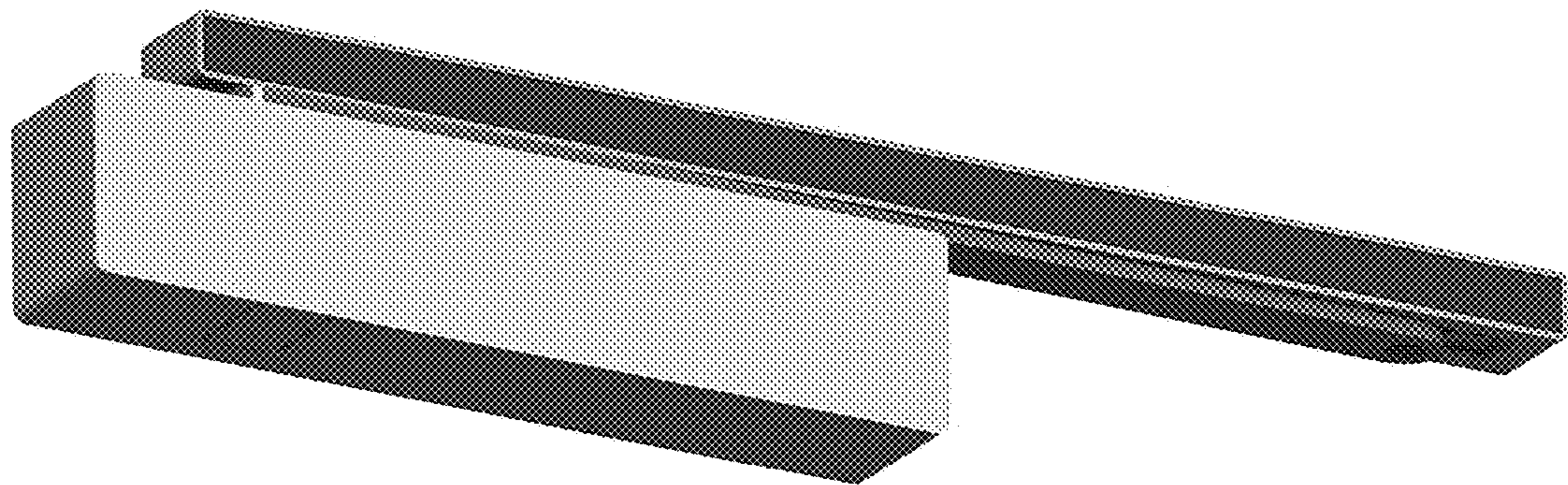


FIG. 7

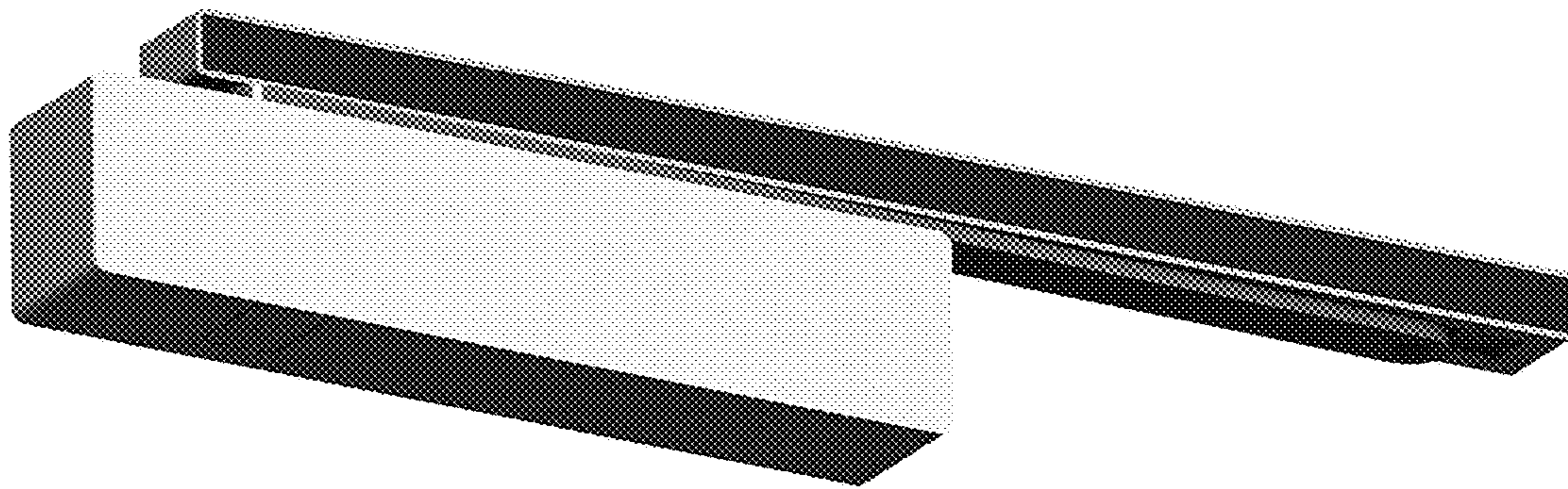


FIG. 8

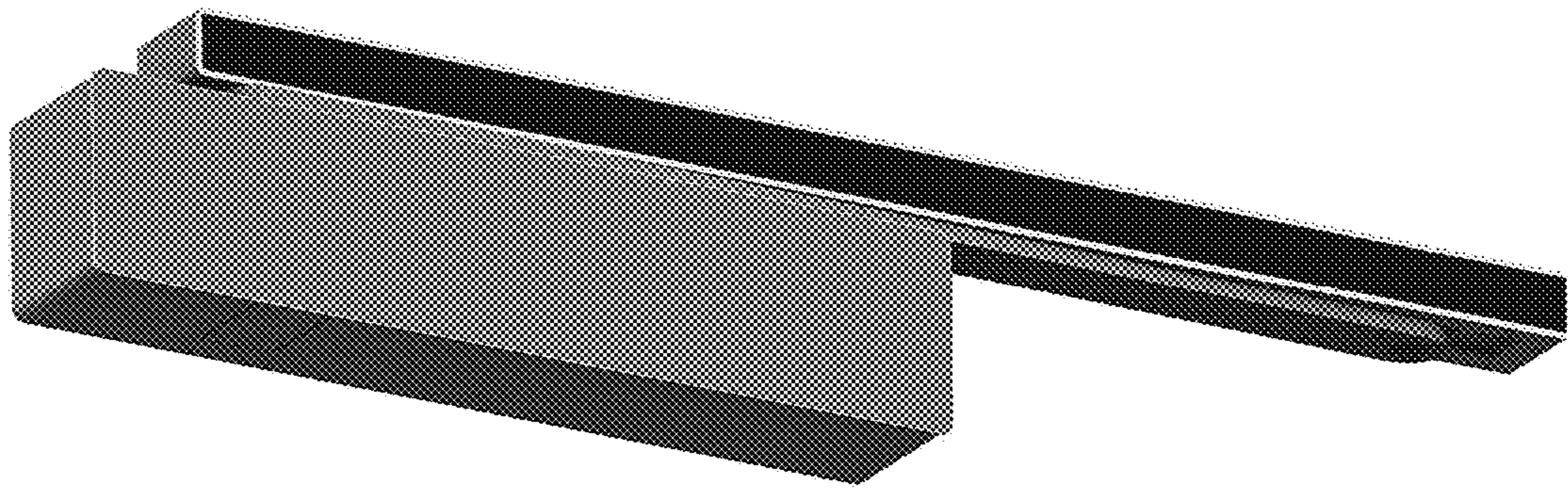


FIG. 9

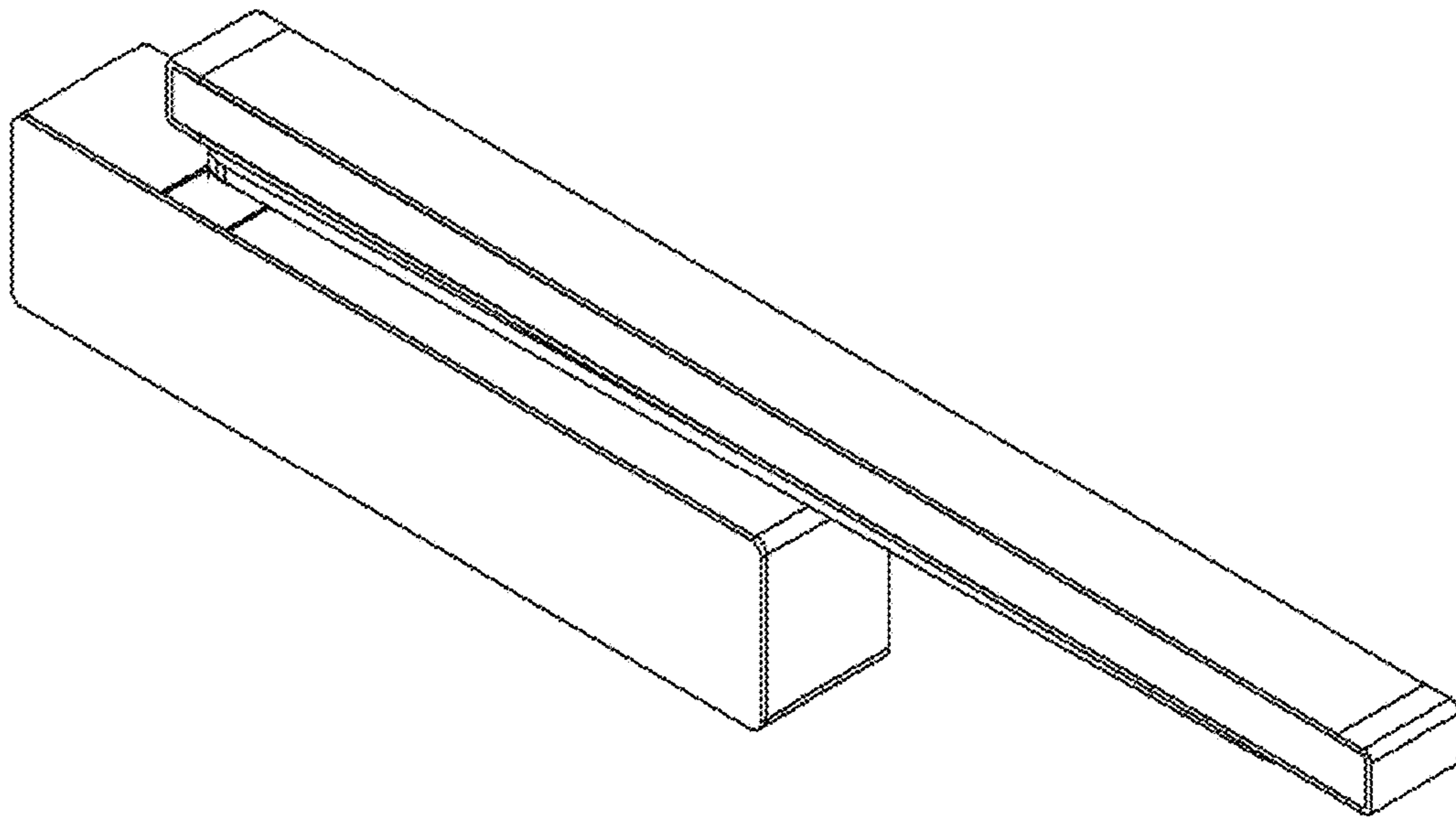


FIG. 10

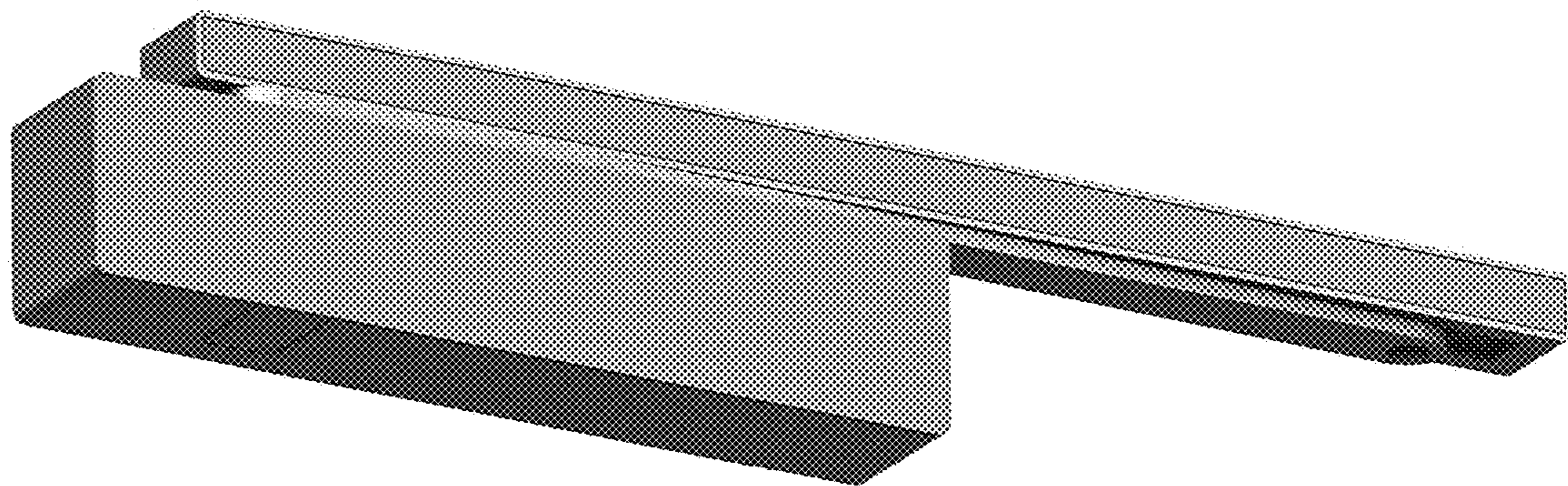


FIG. 11